

US00D647314S

(12) **United States Design Patent**
Lu

(10) **Patent No.:** **US D647,314 S**
(45) **Date of Patent:** **** Oct. 25, 2011**

(54) **CHAIR FRAME**

(75) Inventor: **Wu-Chin Lu, Chia Yi Hsien (TW)**

(73) Assignee: **Chueng Shine Co., Ltd., Chia Yi Hsien (TW)**

(**) Term: **14 Years**

(21) Appl. No.: **29/354,042**

(22) Filed: **Jan. 19, 2010**

(51) **LOC (9) Cl.** **06-01**

(52) **U.S. Cl.** **D6/366**

(58) **Field of Classification Search** D6/334-336,
D6/364, 365, 366, 367, 369, 376, 379, 380,
D6/500-502; 297/284.4, 300.2, 411.27,
297/411.36, 452.13, 452.21, 452.29, 452.3,
297/452.46, 452.56, 452.64

See application file for complete search history.

(56) **References Cited**

U.S. PATENT DOCUMENTS

D445,580 S * 7/2001 Pennington et al. D6/366
6,910,741 B2 * 6/2005 Footitt 297/452.29
D541,062 S * 4/2007 Su D6/366
D545,076 S * 6/2007 Dallmann et al. D6/366

D548,992 S * 8/2007 Koepke et al. D6/366
D558,994 S * 1/2008 Machael et al. D6/366
D568,624 S * 5/2008 Wen D6/366
D576,416 S * 9/2008 Su D6/366
D579,695 S * 11/2008 Wu D6/500
D582,170 S * 12/2008 Chi D6/366
7,484,802 B2 * 2/2009 Beyer et al. 297/284.3

* cited by examiner

Primary Examiner — Mimoso De

(74) *Attorney, Agent, or Firm* — Alan Kamrath; Kamrath & Associates PA

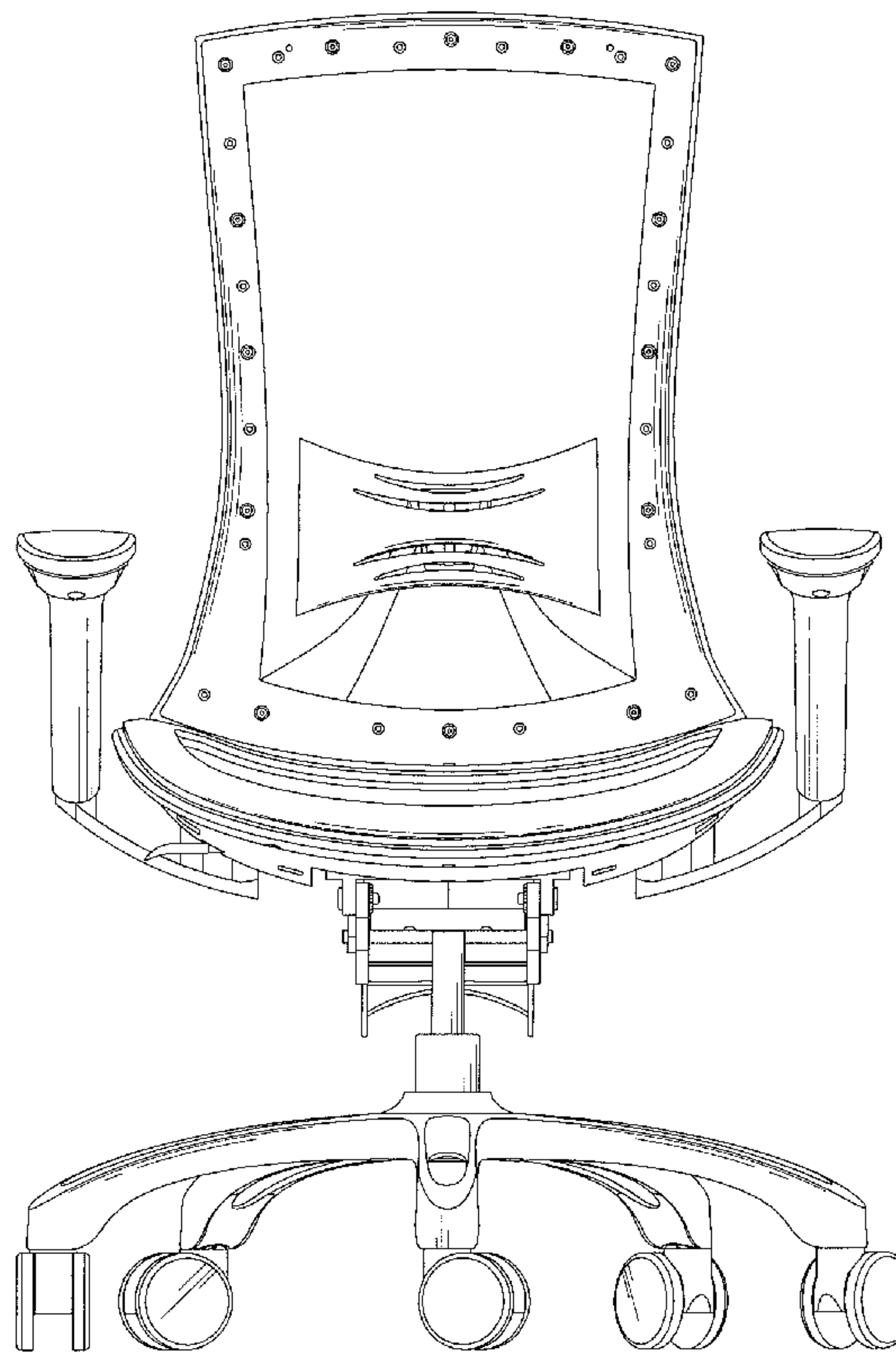
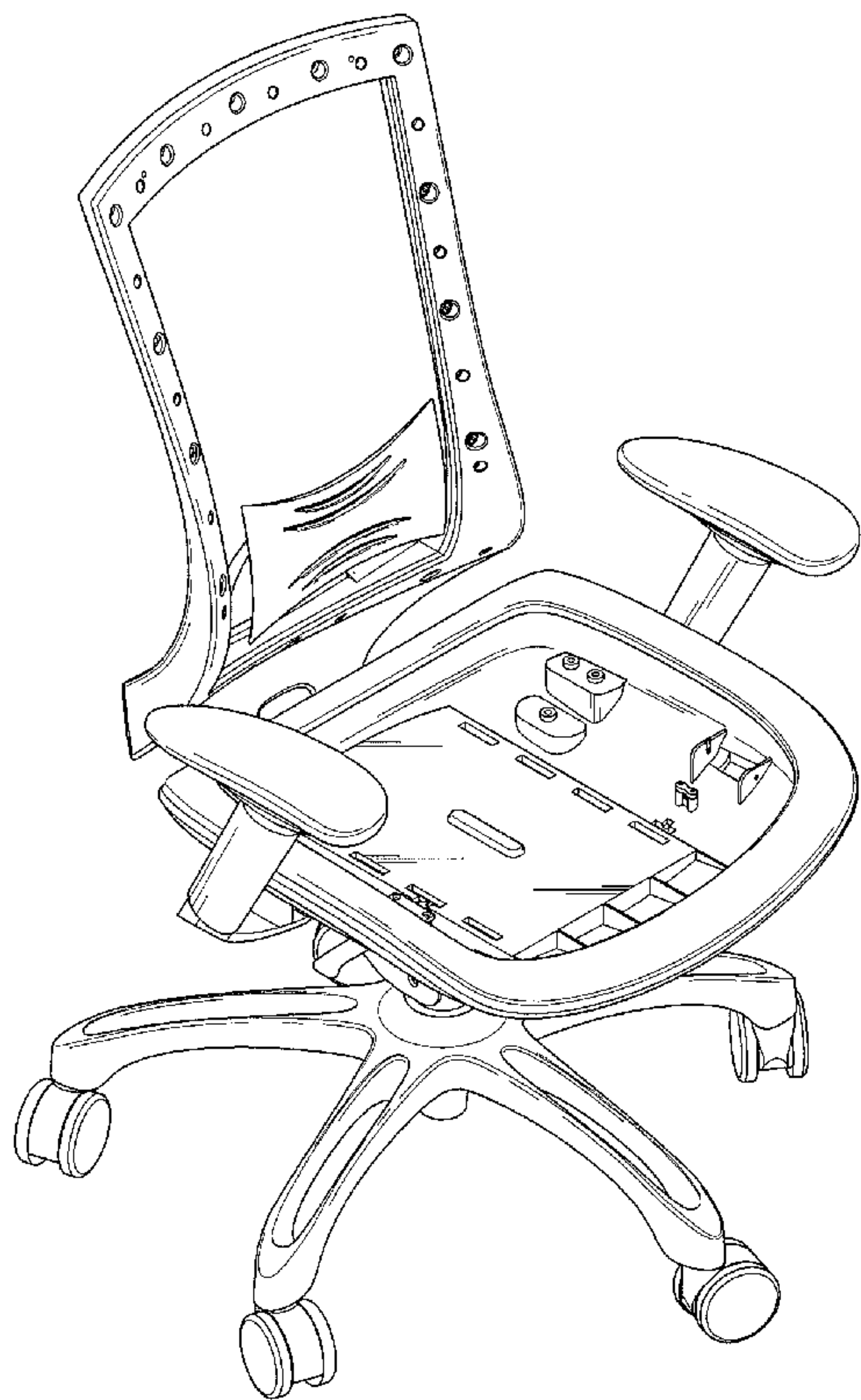
(57) **CLAIM**

The ornamental design for a chair frame, as shown and described.

DESCRIPTION

FIG. 1 is a perspective view of a chair frame showing my design;
FIG. 2 is a front elevational view thereof;
FIG. 3 is a rear elevational view thereof;
FIG. 4 is a left side elevational view thereof;
FIG. 5 is a right side elevational view thereof;
FIG. 6 is a top plan view thereof; and,
FIG. 7 is a bottom plan view thereof.

1 Claim, 7 Drawing Sheets



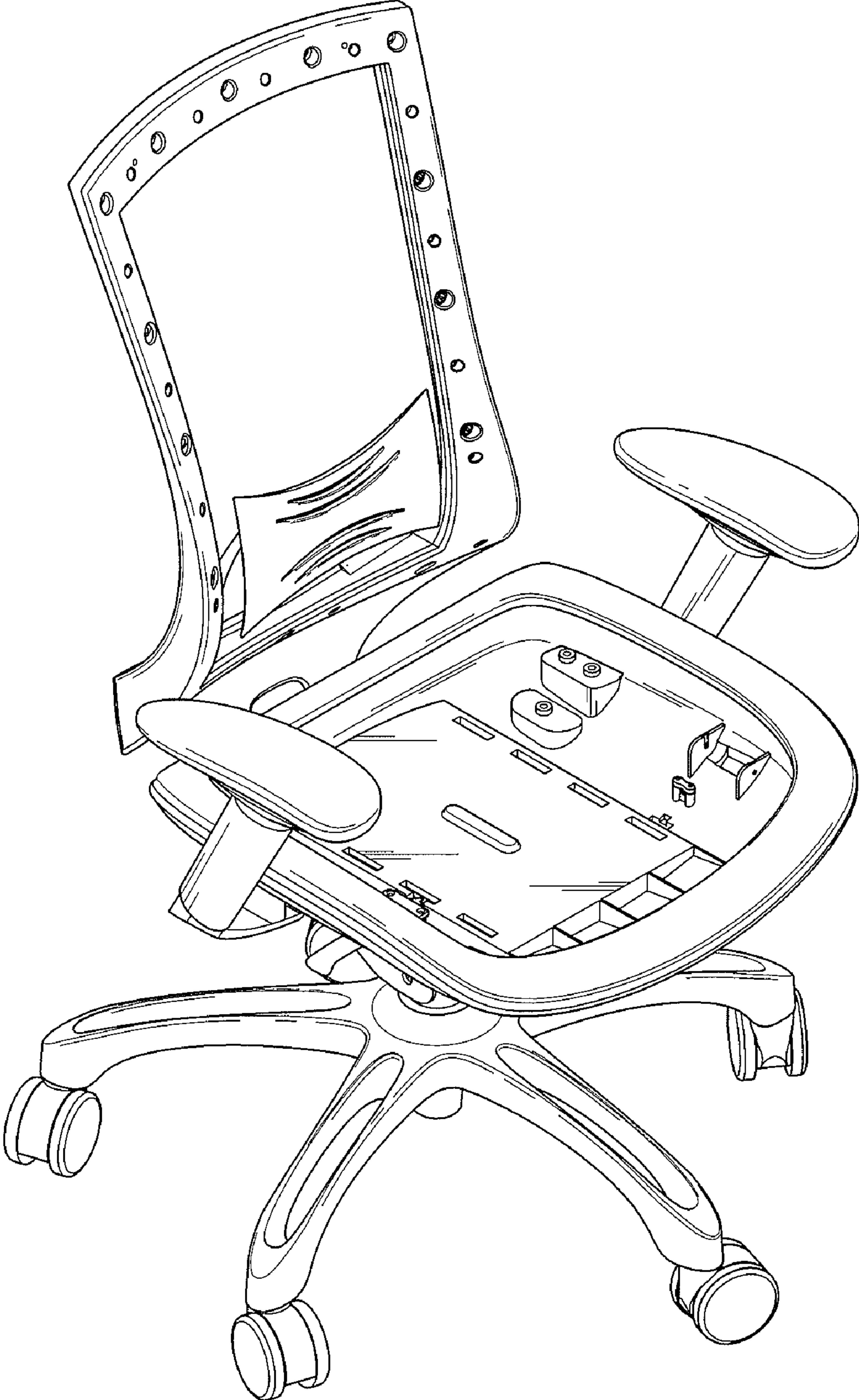


FIG.1

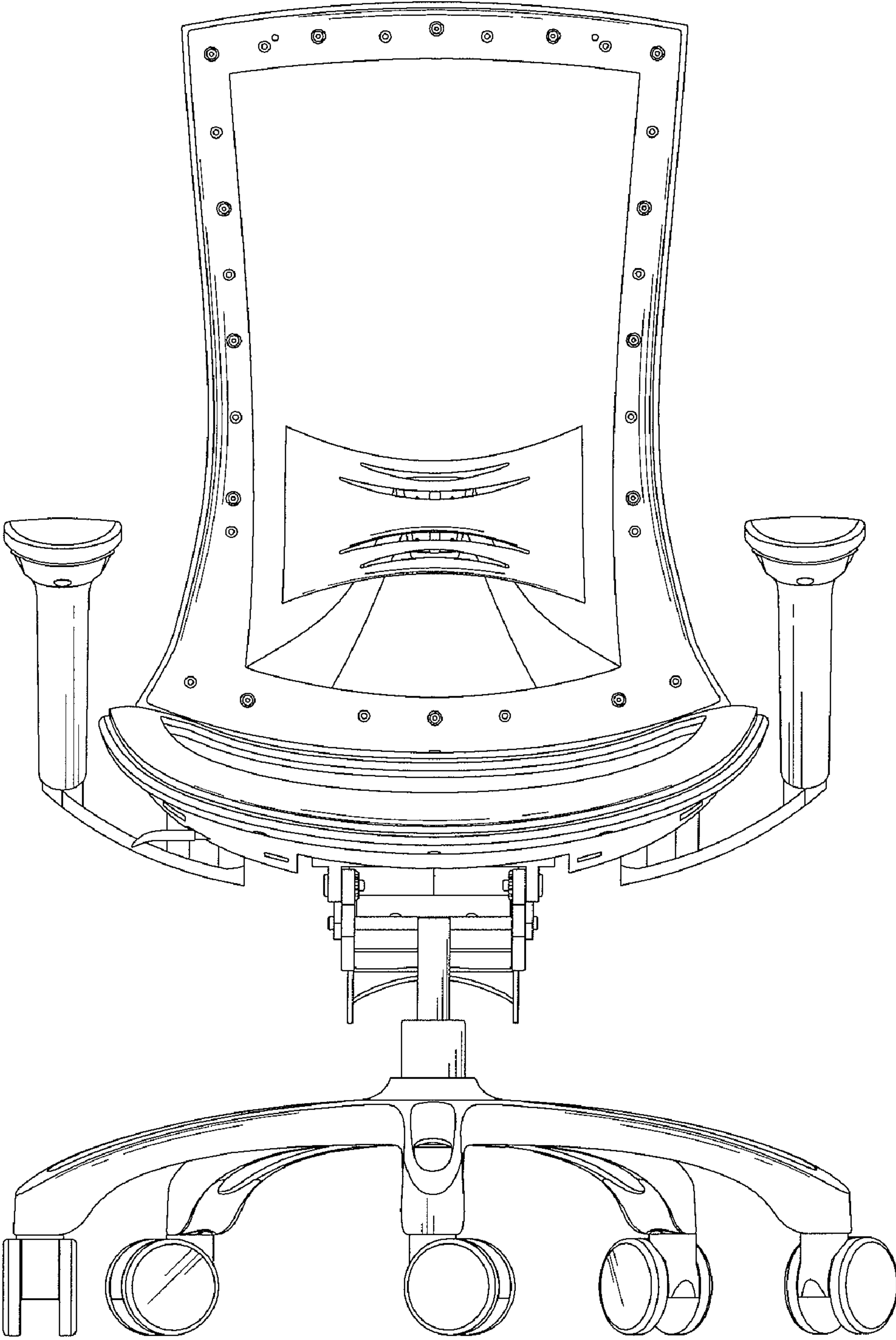


FIG.2

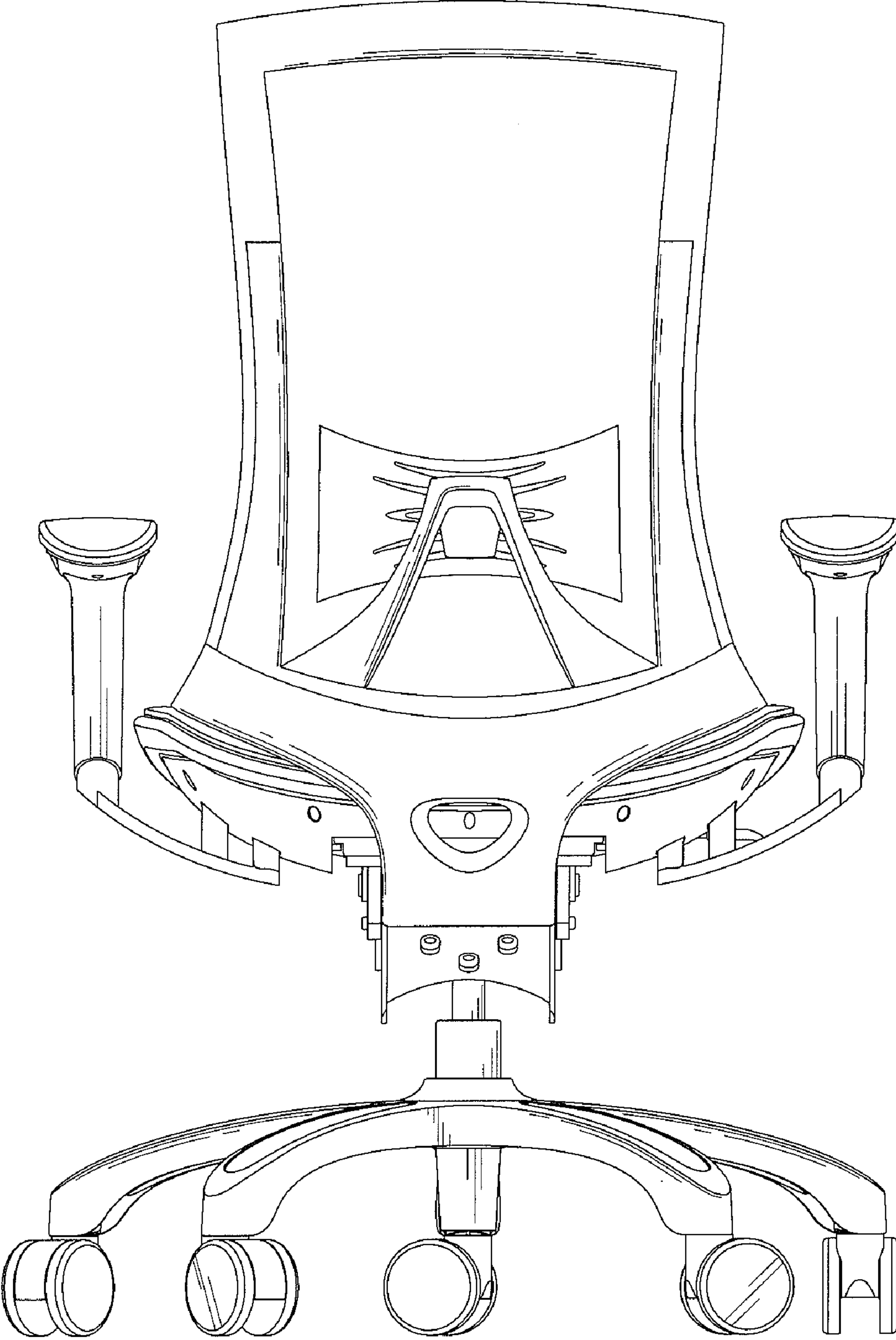


FIG.3

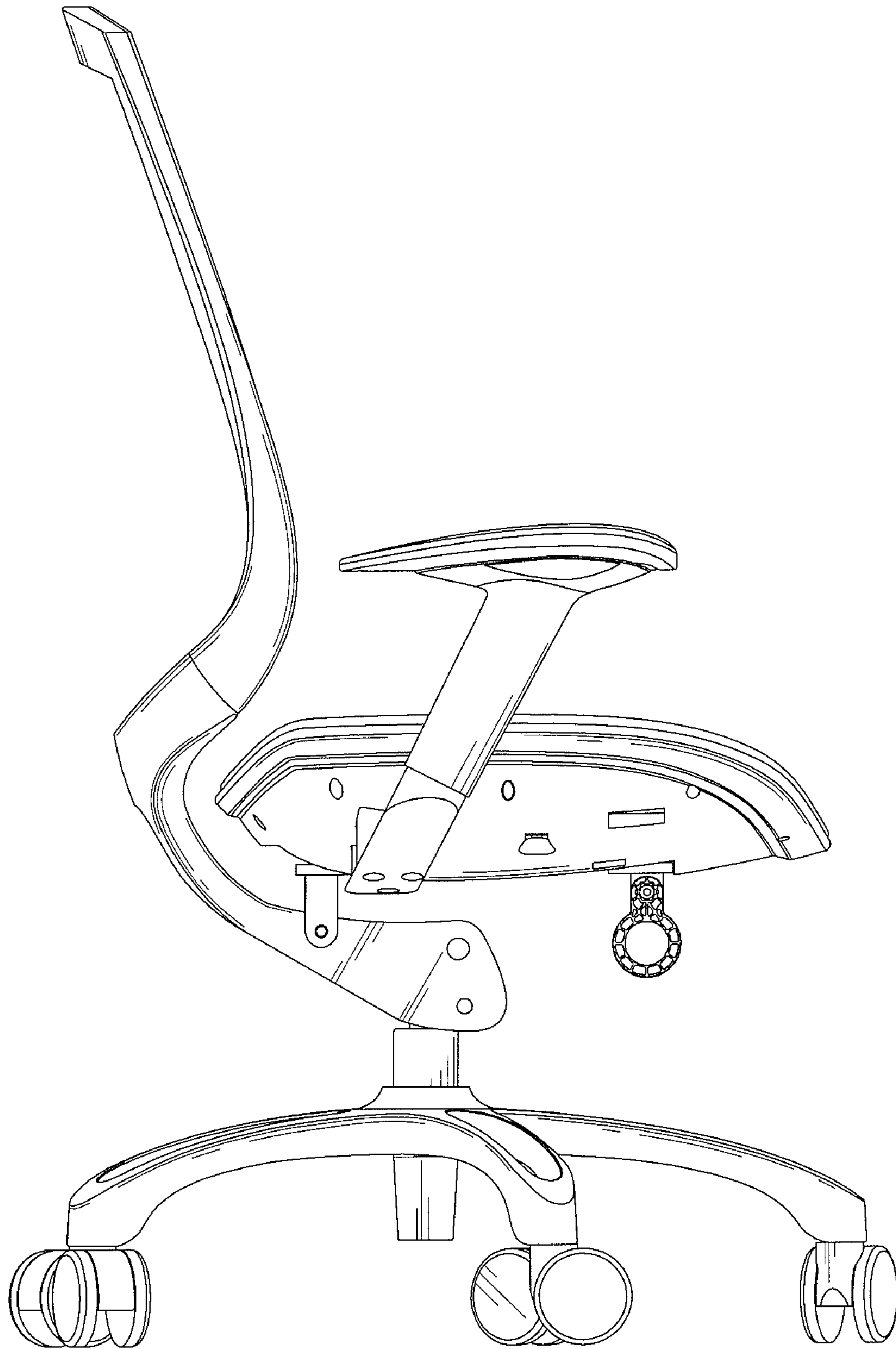


FIG.4

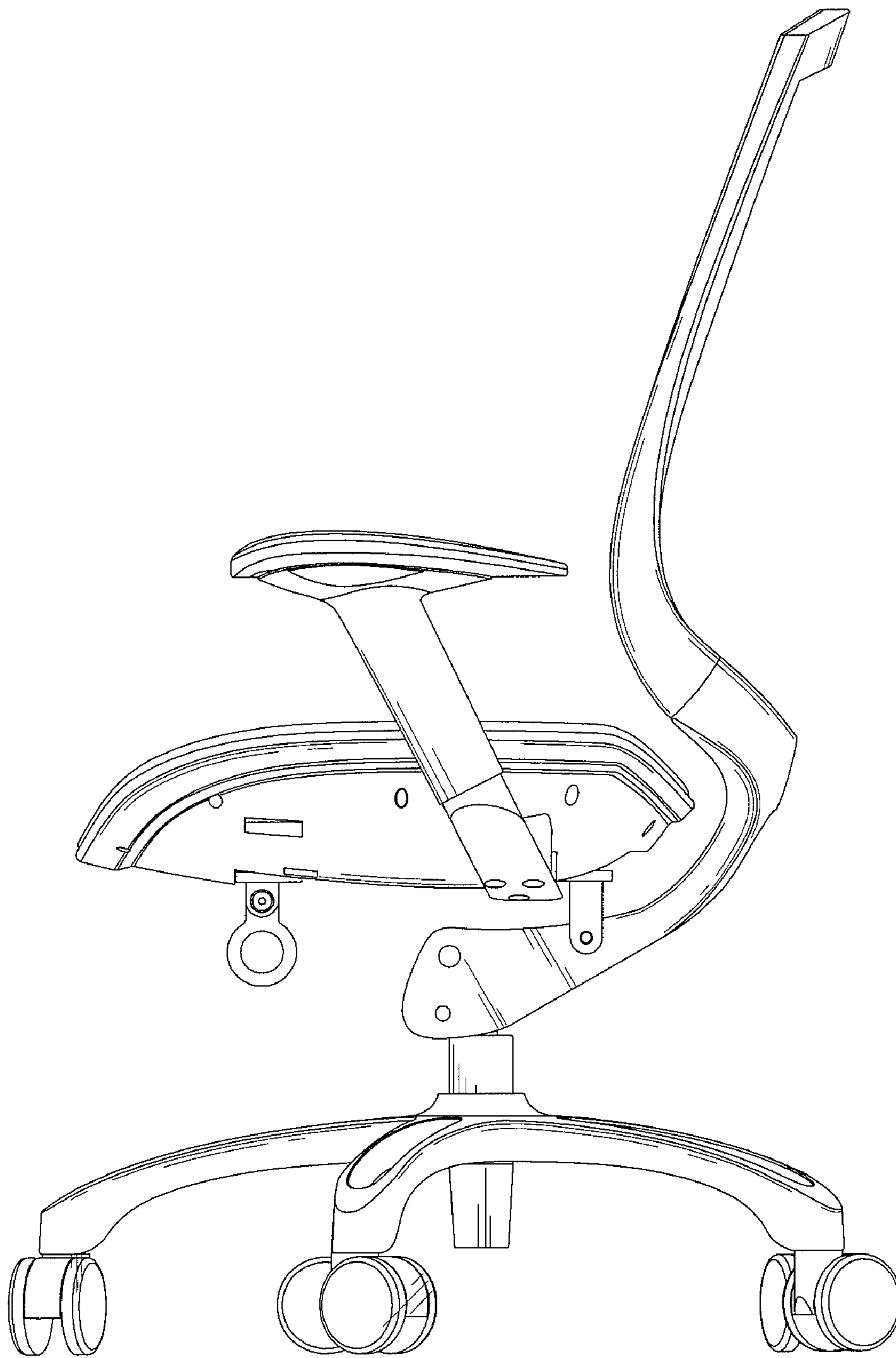


FIG.5

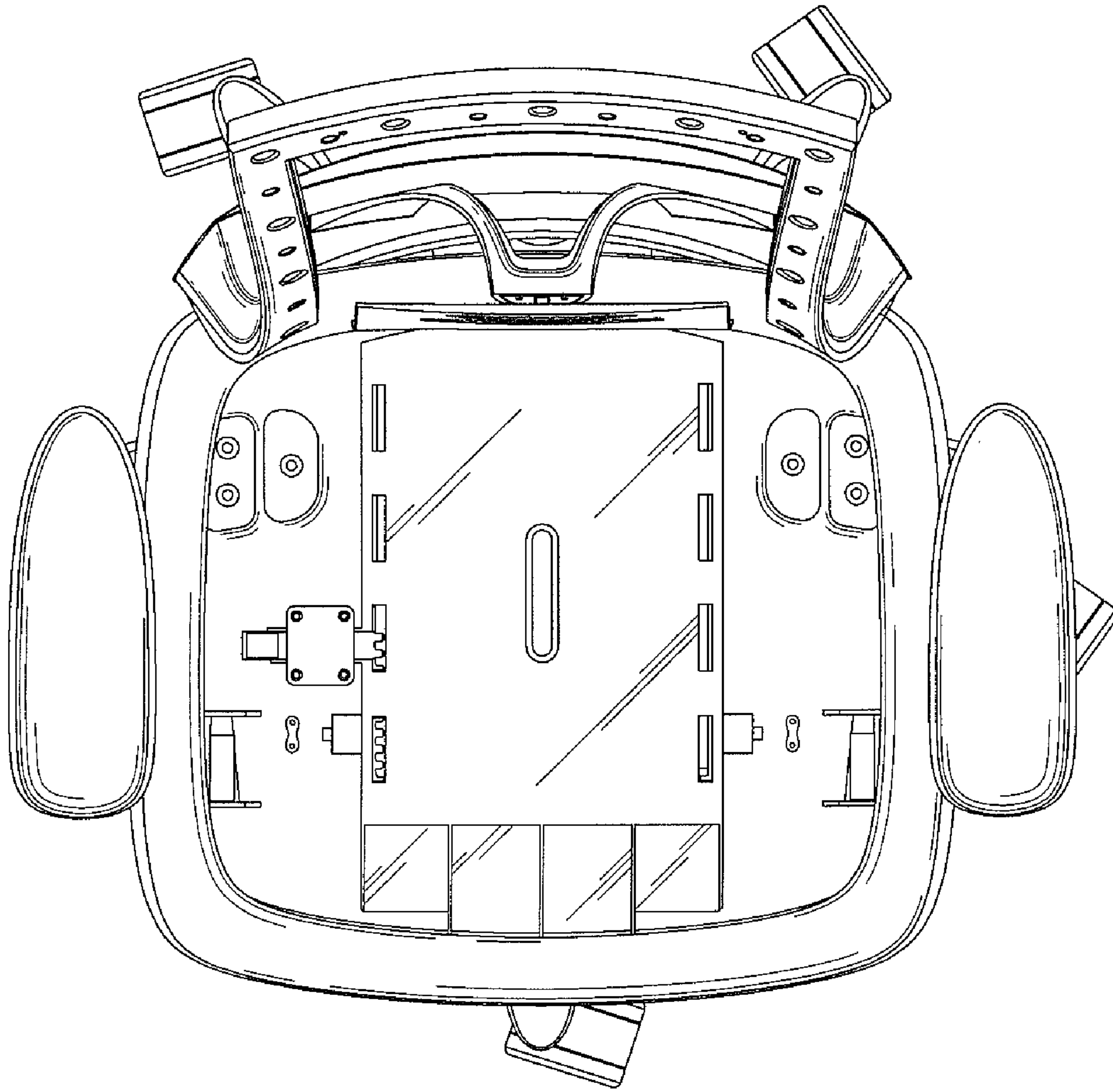


FIG.6

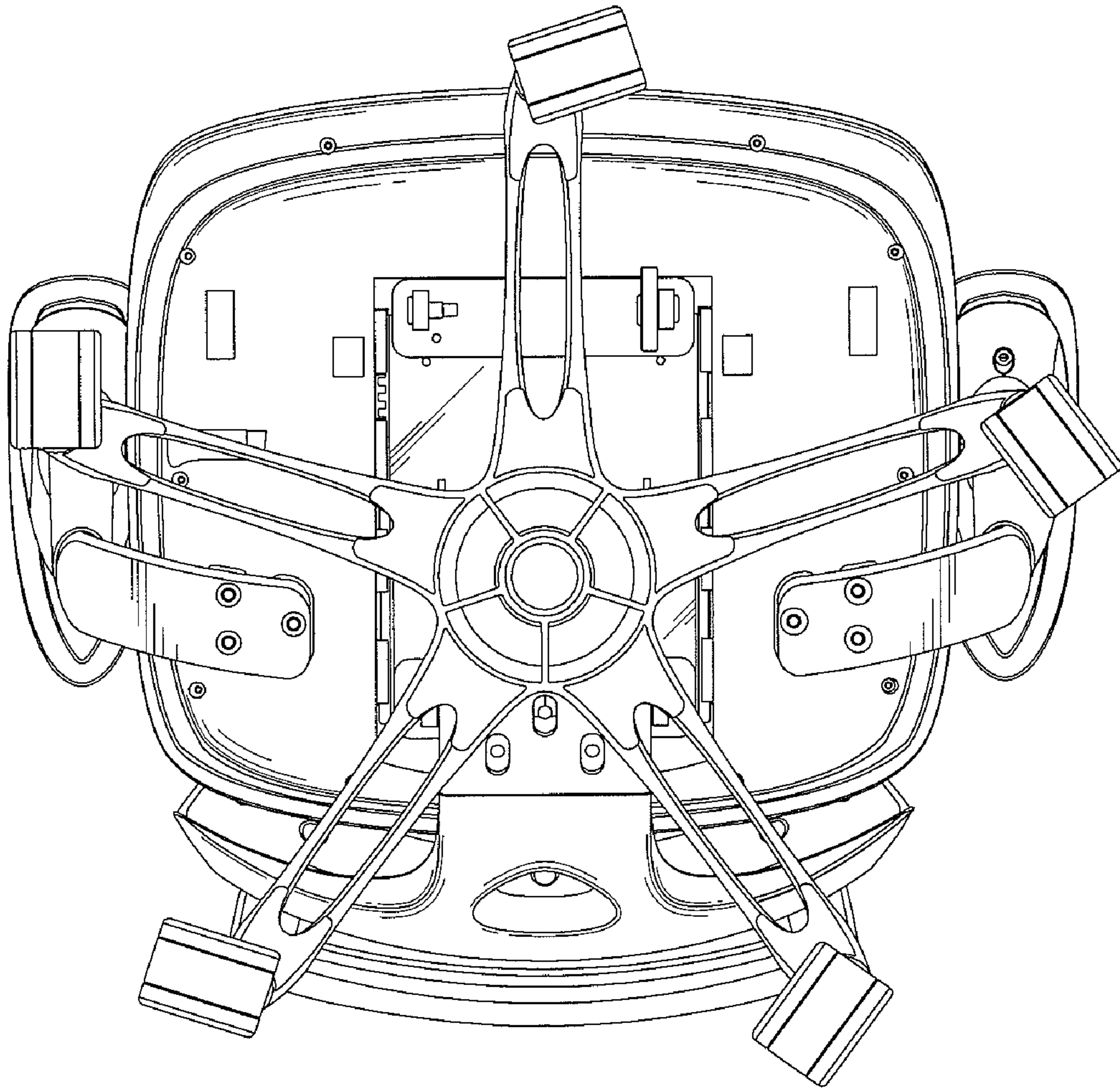


FIG.7