

US00D647304S

(12) **United States Design Patent**
Packard et al.

(10) **Patent No.:** **US D647,304 S**
(45) **Date of Patent:** **** Oct. 25, 2011**

(54) **BLADE CARTRIDGE HOLDER**

(75) Inventors: **Joy A. Packard**, Hudson, WI (US);
Scott D. Gullicks, Woodbury, MI (US);
Michael C. Molinet, Woodbury, MI (US)

(73) Assignee: **3M Innovative Properties Company**,
St. Paul, MN (US)

(**) Term: **14 Years**

(21) Appl. No.: **29/377,819**

(22) Filed: **Oct. 26, 2010**

(51) **LOC (9) Cl.** **03-01**

(52) **U.S. Cl.** **D3/294**

(58) **Field of Classification Search** D28/47,
D28/73; D3/294, 295, 301-302; 206/228,
206/354, 823, 579

See application file for complete search history.

(56) **References Cited**

U.S. PATENT DOCUMENTS

3,045,812 A * 7/1962 Randolph 206/228
D387,903 S * 12/1997 Jacoby et al. D3/273
2007/0234573 A1 10/2007 Johnson et al.

FOREIGN PATENT DOCUMENTS

EP 0 770 026 B1 4/2000
EP 1 252 981 A1 10/2002
GB 1 417 831 12/1975

WO 94/08762 A1 4/1994
WO 94/24020 A1 10/1994
WO 99/55499 A2 11/1999
WO 2005/090020 A1 9/2005
WO 2008/147133 A1 12/2008
WO 2009/052923 A1 4/2009
WO 2010/045082 A1 4/2010

* cited by examiner

Primary Examiner — Holly Baynham

(74) *Attorney, Agent, or Firm* — Lisa P. Fulton

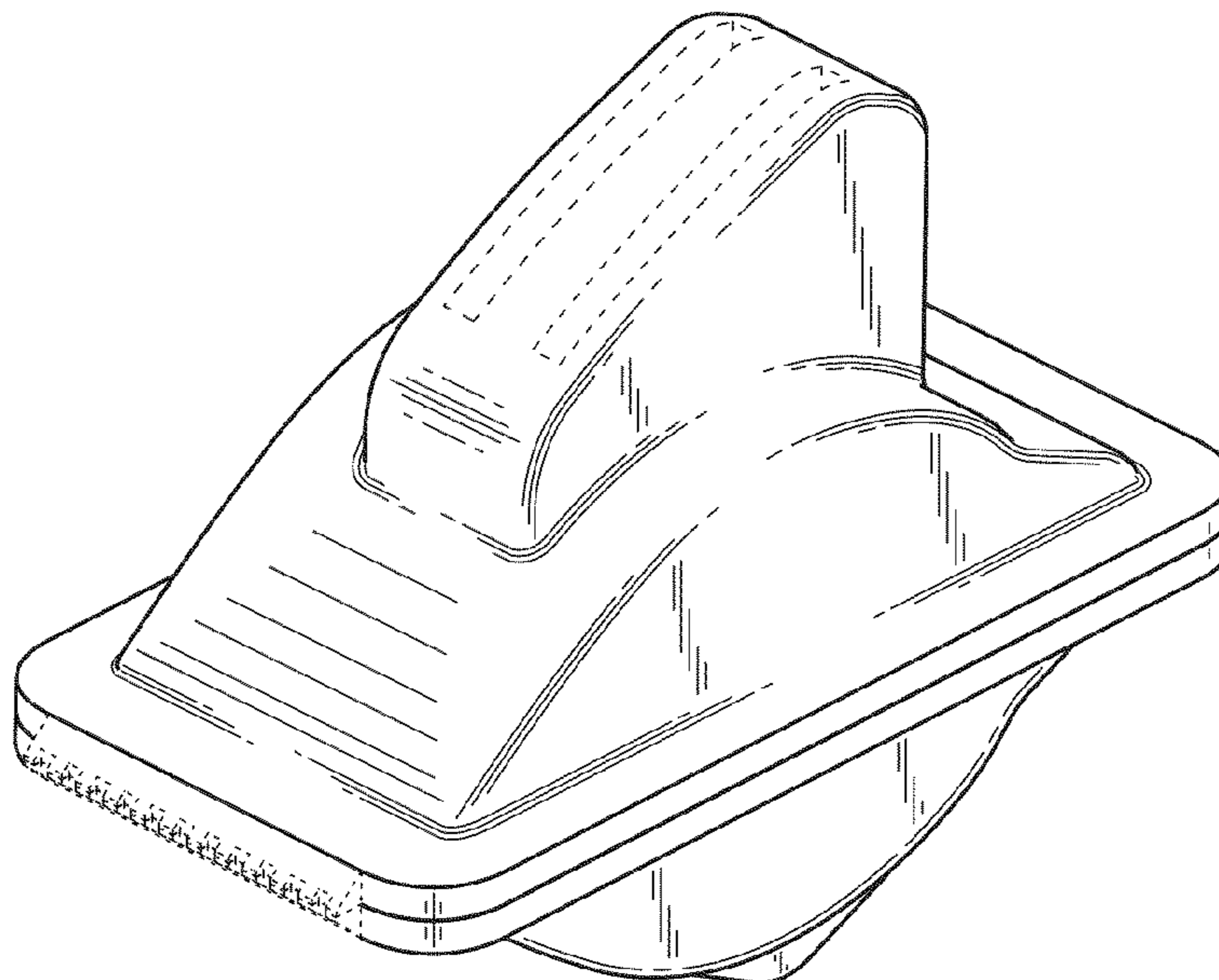
(57) **CLAIM**

The ornamental design for a blade cartridge holder, as shown and described.

DESCRIPTION

FIG. 1 is a perspective view of a blade cartridge holder showing the new design. As shown in FIG. 1, the blade cartridge holder is in a closed position; FIG. 2 is a side view thereof; FIG. 3 is a top view thereof; FIG. 4 is a bottom view thereof; FIG. 5 is a front view thereof; FIG. 6 is a rear view thereof; and, FIG. 7 is another perspective view thereof. As shown in FIG. 7, the blade cartridge holder is in an open position. The broken lines are included for the purpose of illustrating environmental structure and form no part of the claimed design.

1 Claim, 3 Drawing Sheets



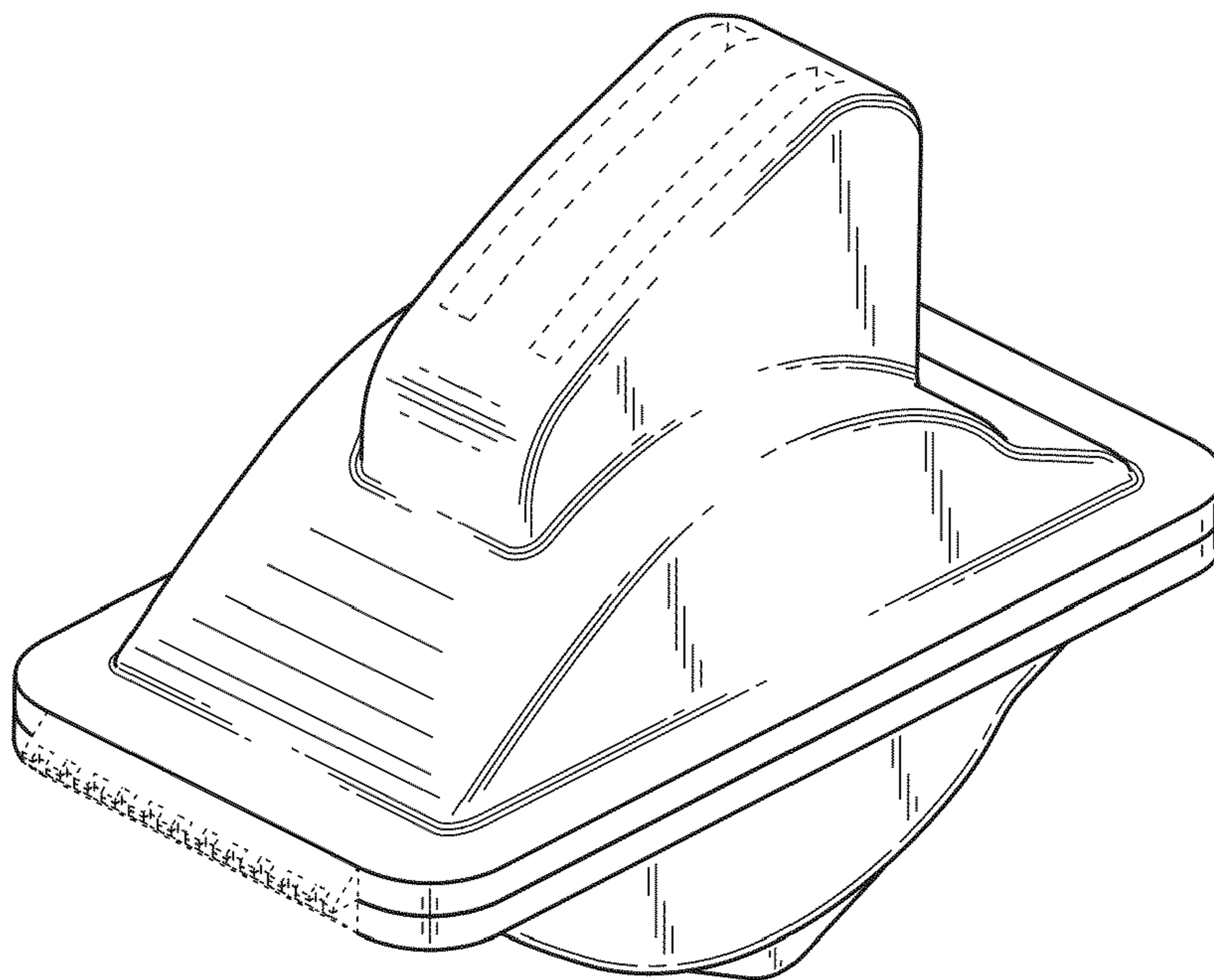


Fig. 1

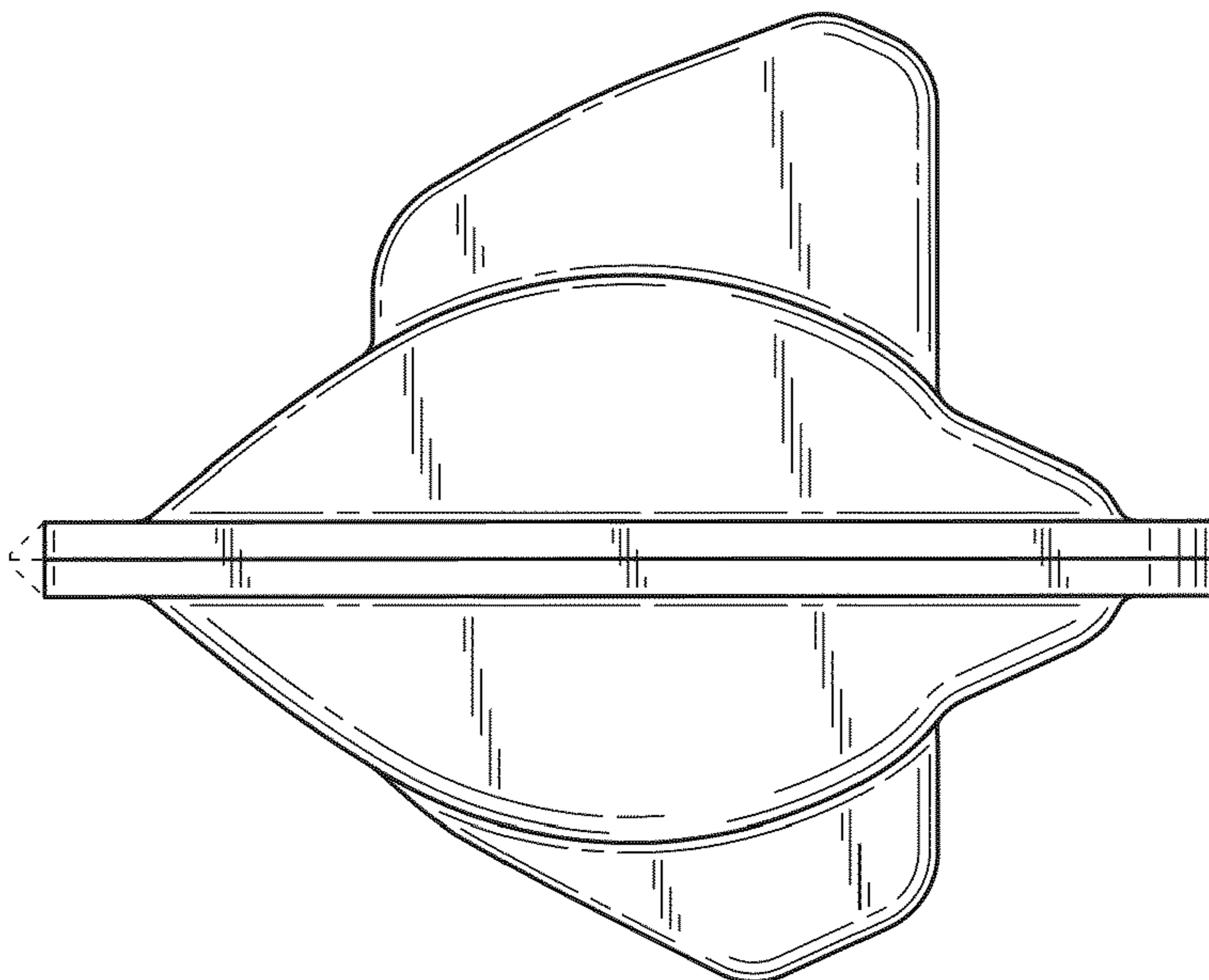


Fig. 2

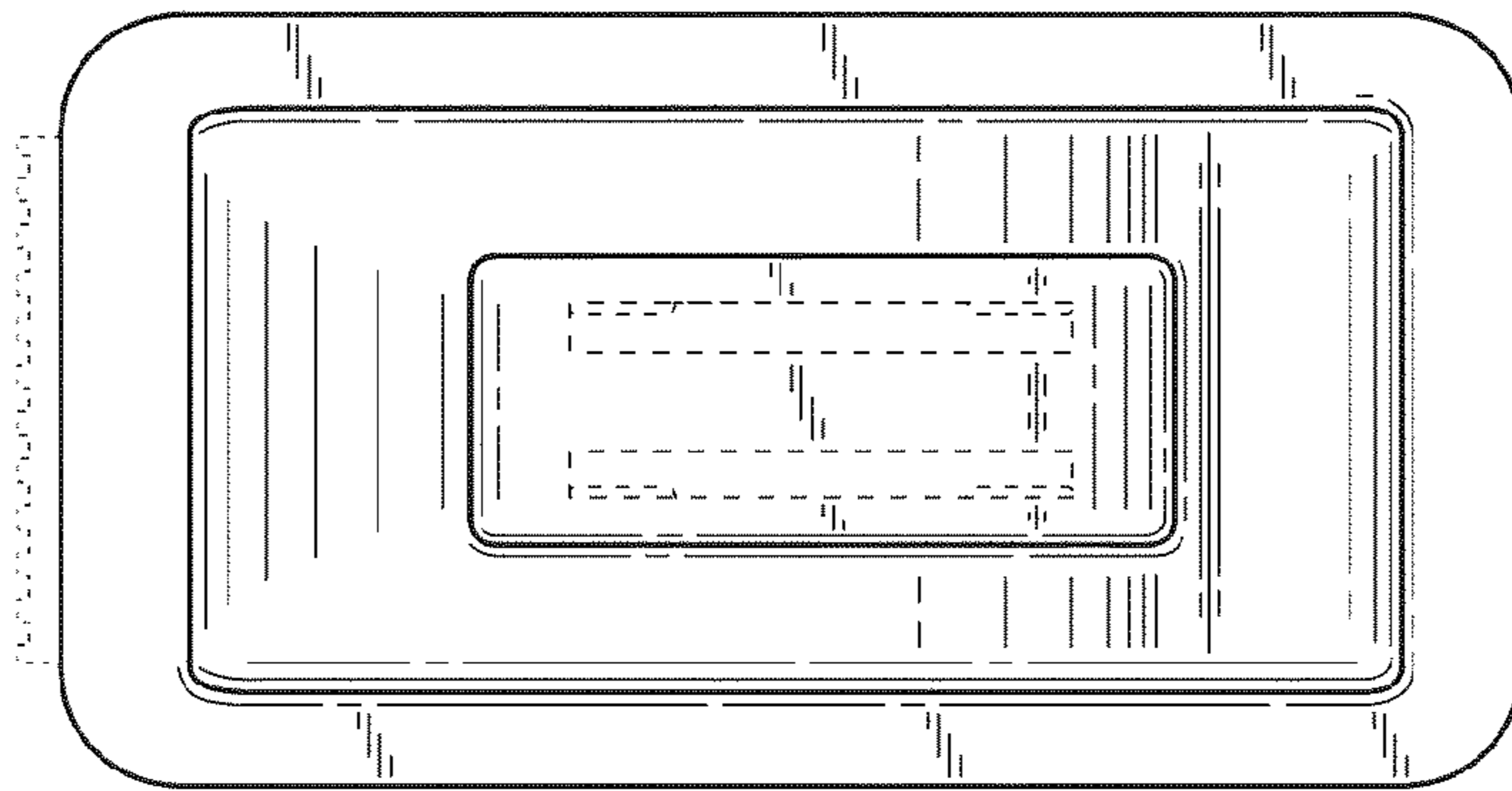


Fig. 3

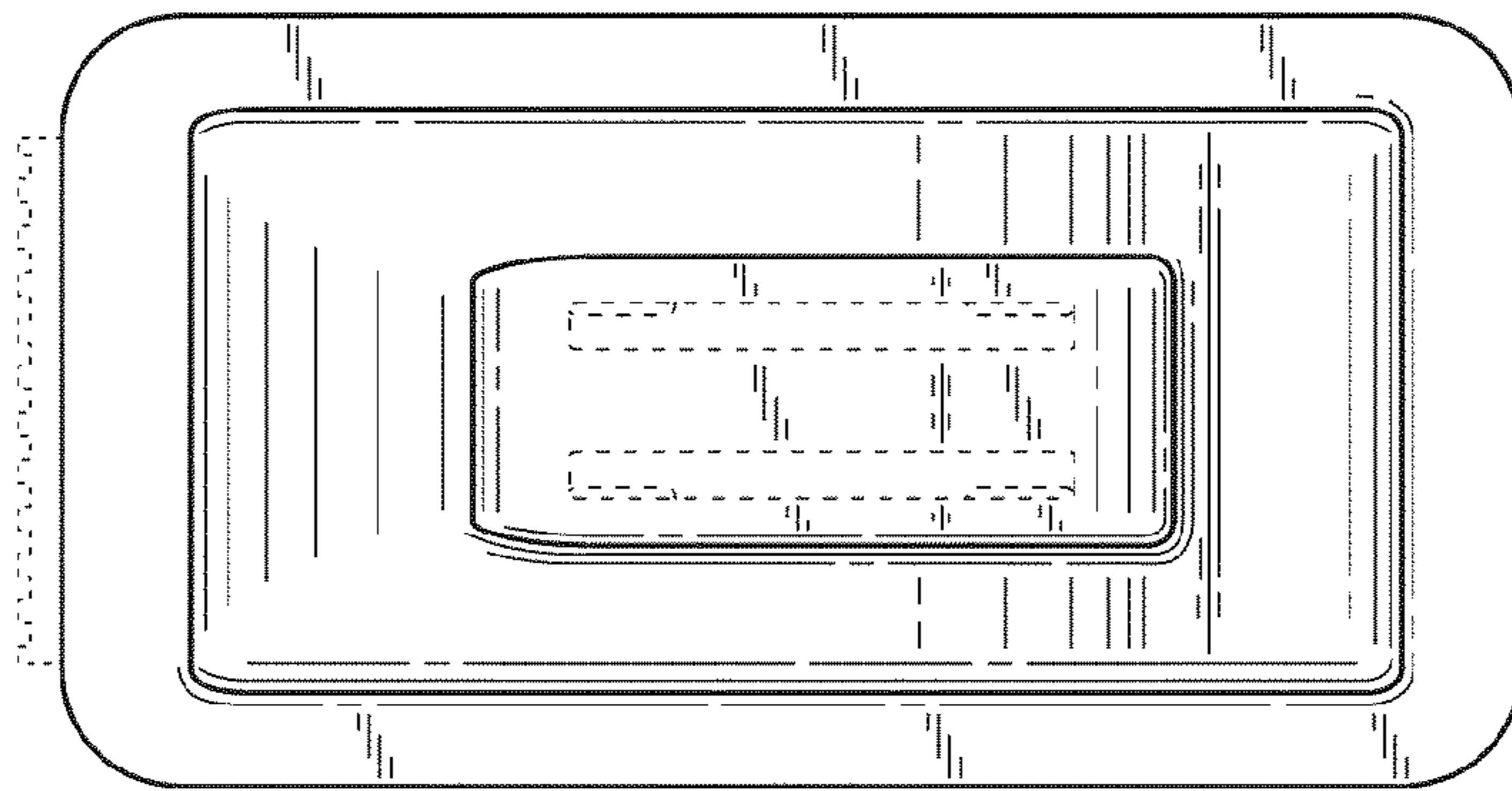


Fig. 4

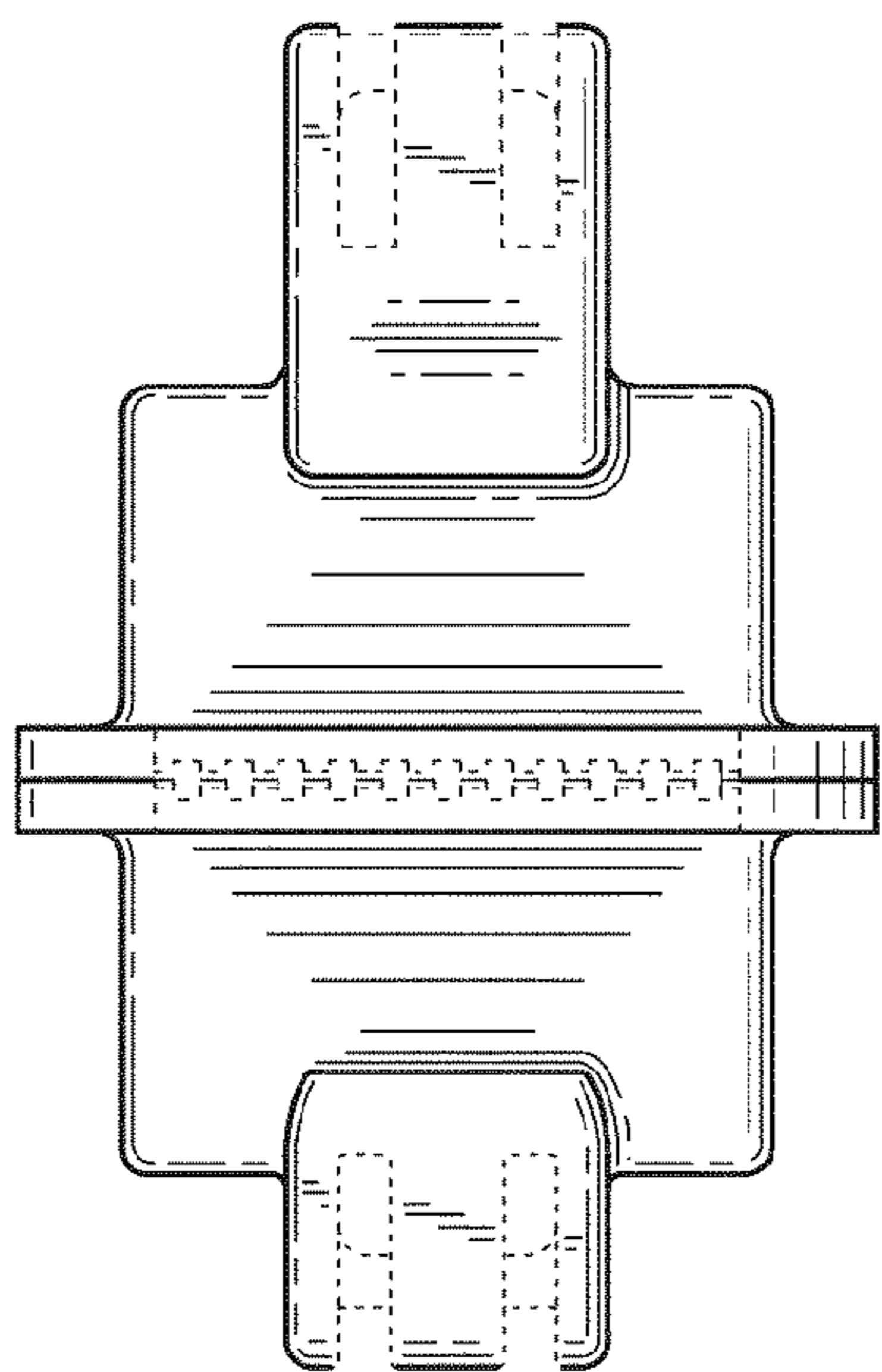


Fig. 5

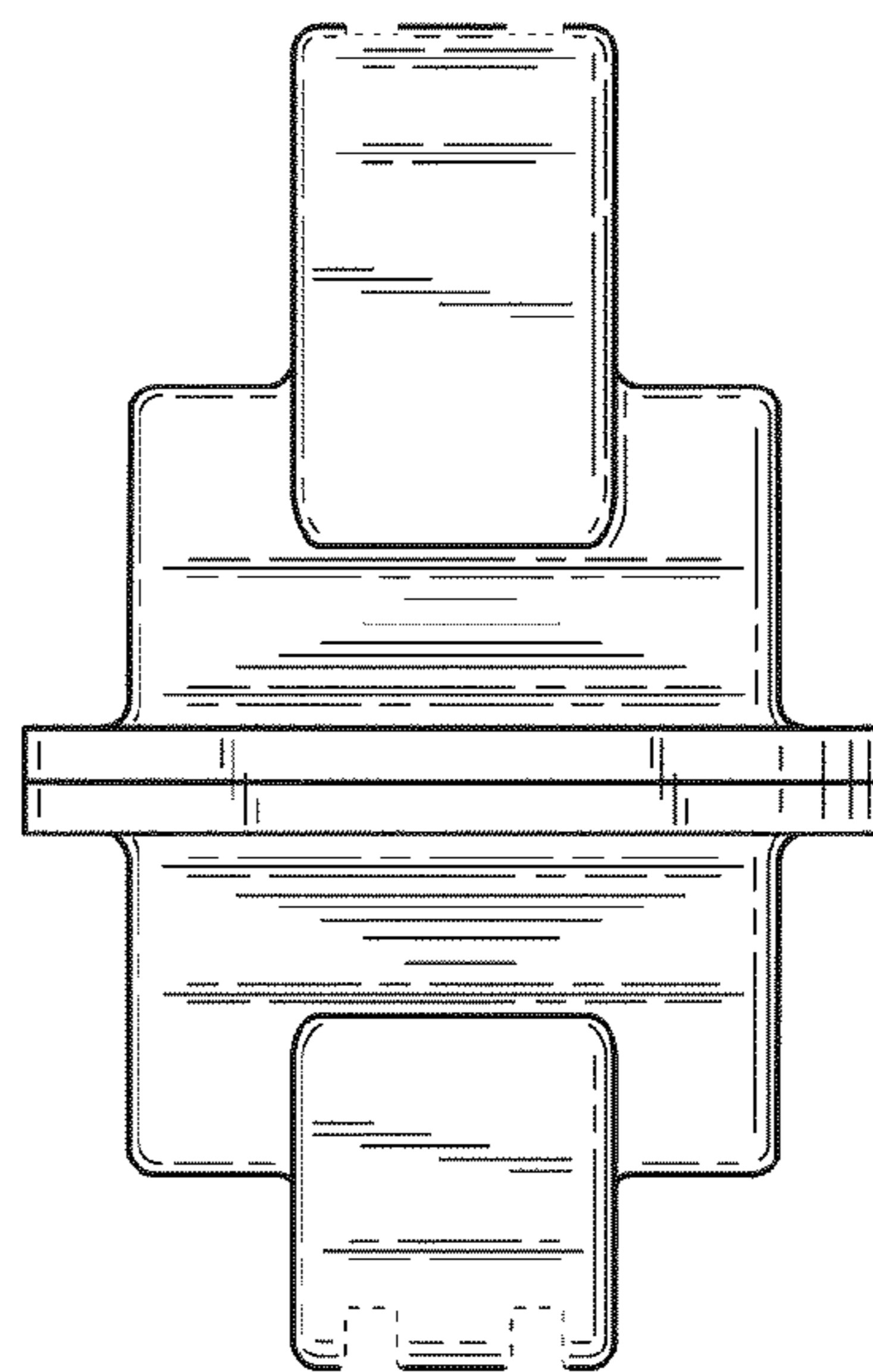


Fig. 6

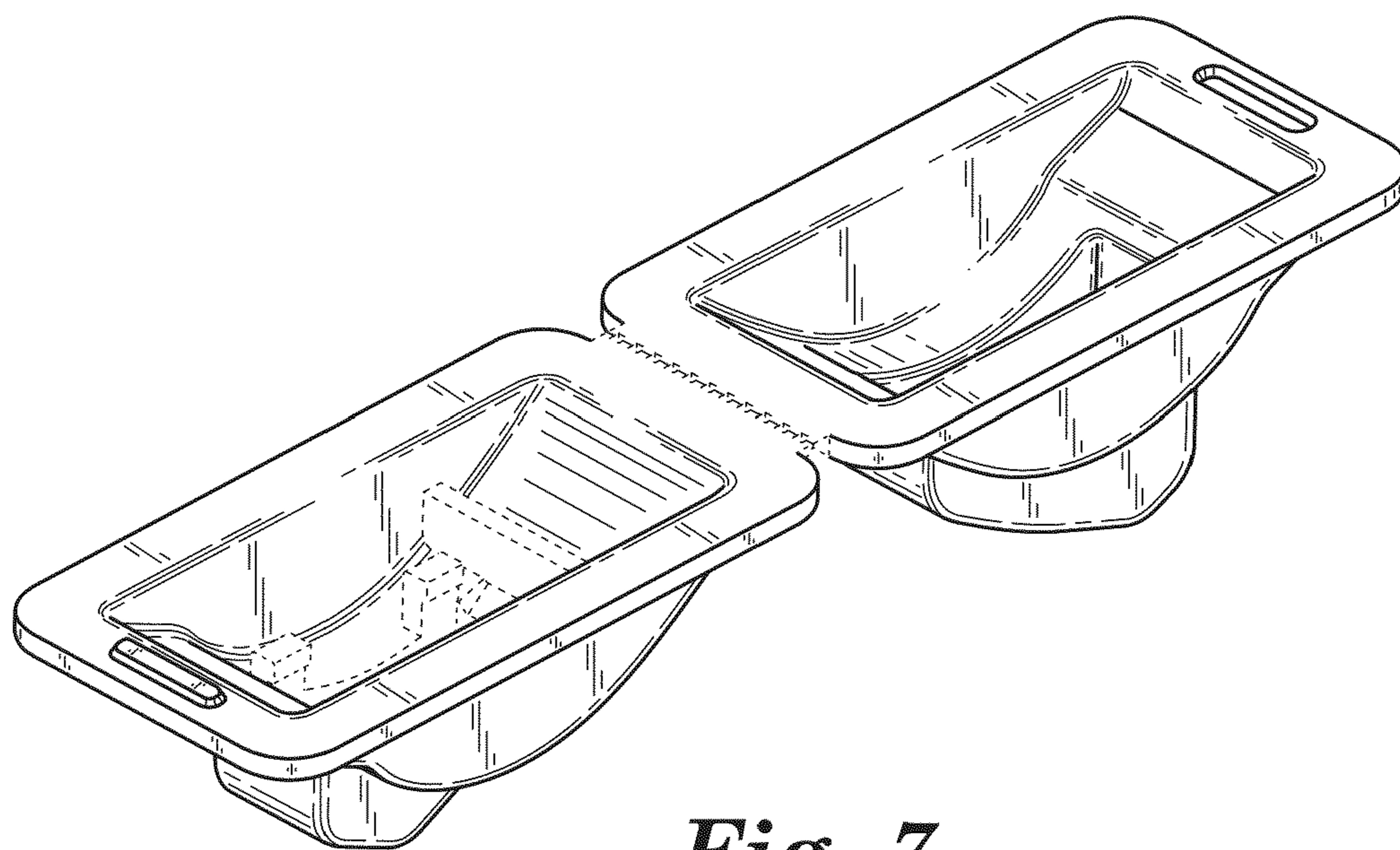


Fig. 7

UNITED STATES PATENT AND TRADEMARK OFFICE
CERTIFICATE OF CORRECTION

PATENT NO. : D647,304 S
APPLICATION NO. : 29/377819
DATED : October 25, 2011
INVENTOR(S) : Joy A Packard

Page 1 of 1

It is certified that error appears in the above-identified patent and that said Letters Patent is hereby corrected as shown below:

Title Page, item [75] Column 1 (Inventors)

Line 2, delete "MI" and insert -- MN --, therefor.

Line 3, delete "MI" and insert -- MN --, therefor.

Signed and Sealed this
Twelfth Day of February, 2013



Teresa Stanek Rea
Acting Director of the United States Patent and Trademark Office