



US00D647303S

(12) **United States Design Patent**  
**Mish et al.**

(10) **Patent No.:** **US D647,303 S**

(45) **Date of Patent:** **\*\* Oct. 25, 2011**

(54) **WATERPROOF PROTECTIVE COVER FOR  
EREADER**

D592,398 S \* 5/2009 Roesler ..... D3/294  
\* cited by examiner

(76) Inventors: **Patrick Mish**, Odenton, MD (US); **Jim  
Ward**, Ashburn, VA (US); **Adam  
Ashley**, Odenton, MD (US)

*Primary Examiner* — Holly Baynham  
(74) *Attorney, Agent, or Firm* — Dresch IP Law, PLLC; John  
J. Dresch

(\*\*) Term: **14 Years**

(57) **CLAIM**

(21) Appl. No.: **29/362,906**

The ornamental design for a waterproof protective cover for  
ereader, as shown and described.

(22) Filed: **Jun. 2, 2010**

**DESCRIPTION**

(51) **LOC (9) Cl.** ..... **03-01**

(52) **U.S. Cl.** ..... **D3/294**

(58) **Field of Classification Search** ..... D3/272–273,  
D3/282–283; 206/373, 376, 307, 223  
See application file for complete search history.

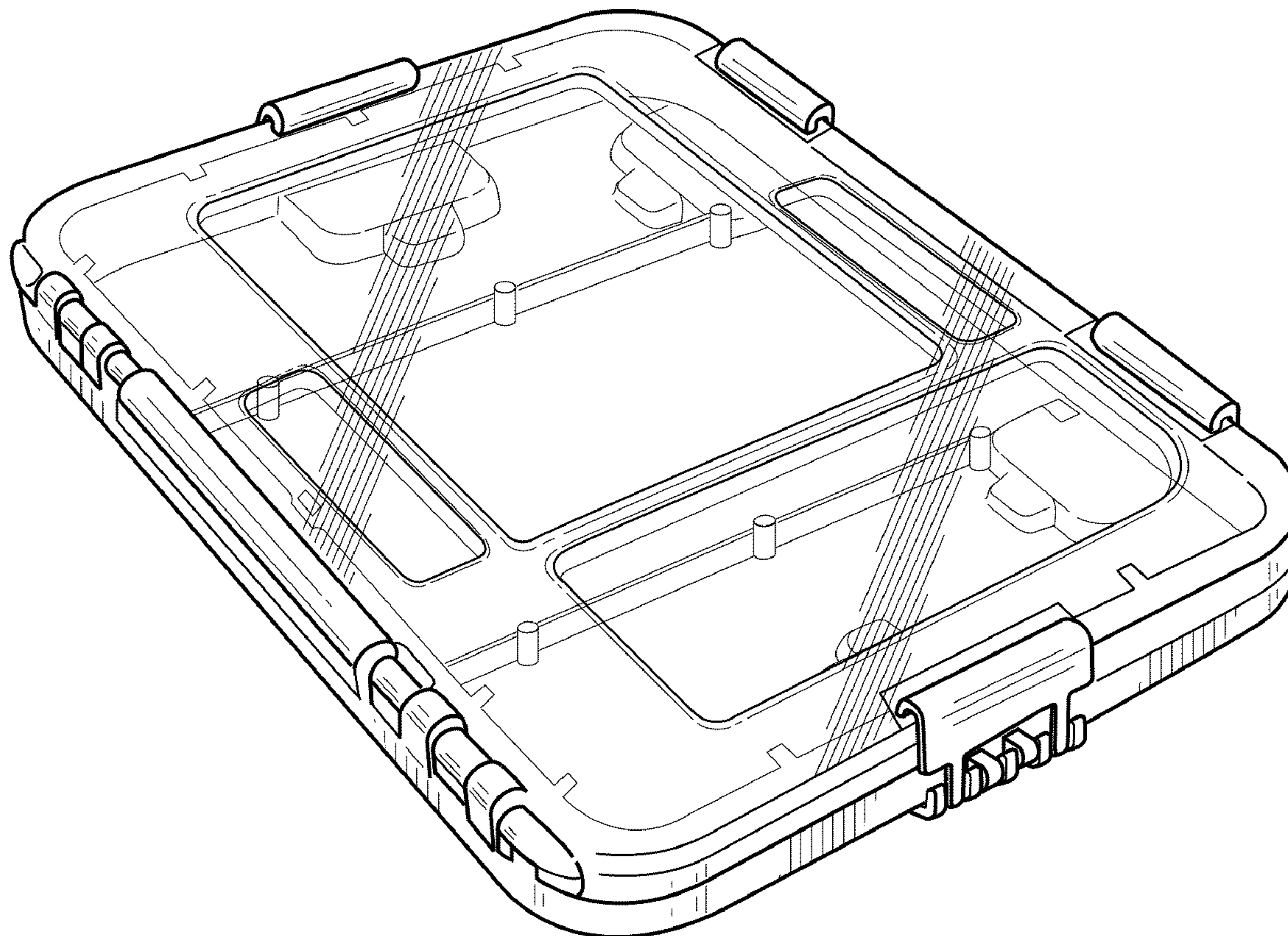
FIG. 1 is a perspective, front view of a waterproof protective  
cover for ereader showing our ornamental design, those sur-  
faces which are hidden [not visible] are the same as those  
which are illustrated by the other figures;  
FIG. 2 is a perspective, rear view thereof;  
FIG. 3 is another perspective, rear view thereof;  
FIG. 4 is another perspective, front view thereof;  
FIG. 5 is a front view thereof; and,  
FIG. 6 is another perspective, front view thereof.

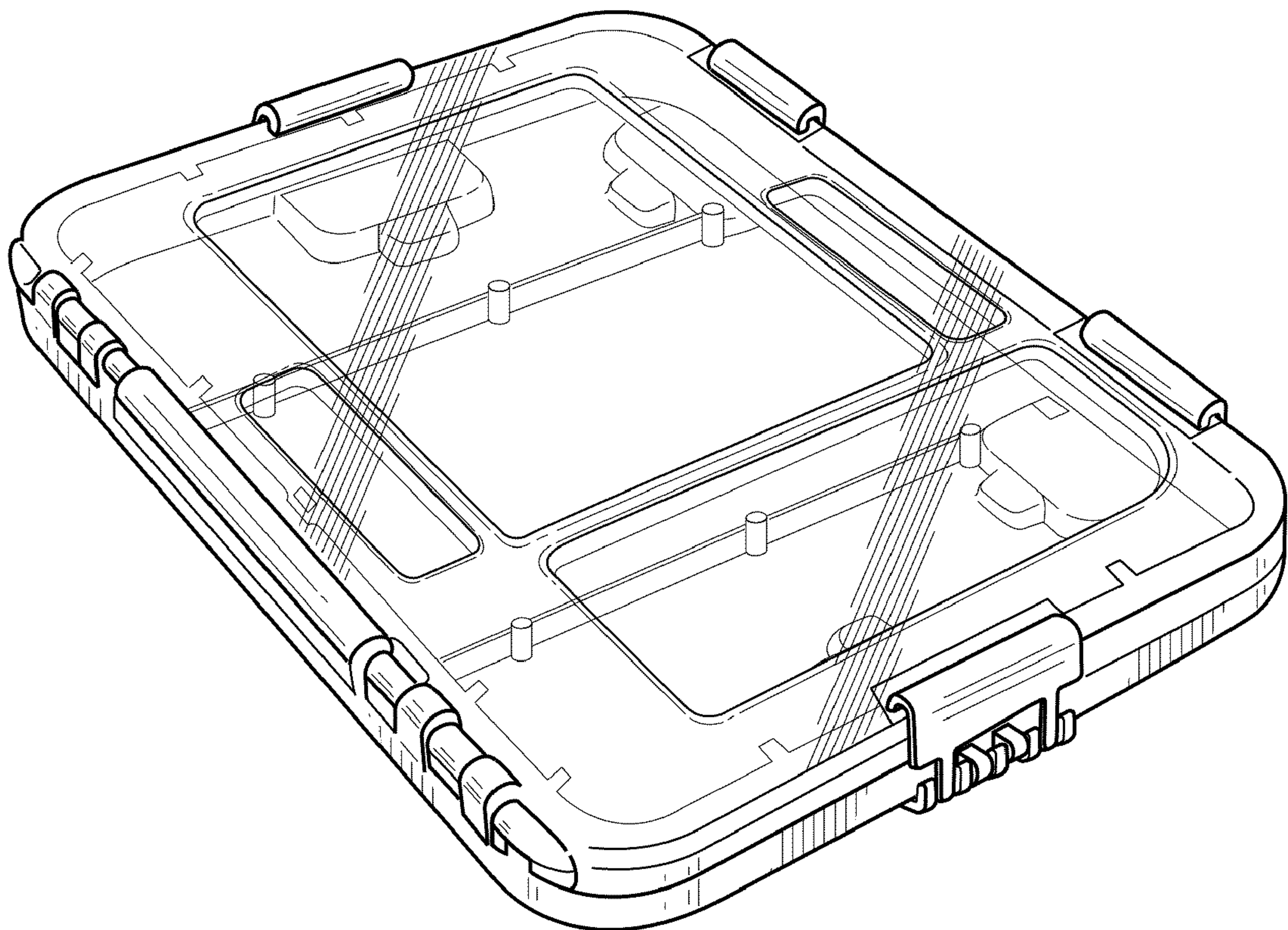
(56) **References Cited**

**U.S. PATENT DOCUMENTS**

D250,433 S	*	11/1978	Malcolm	.....	D3/282
D474,599 S	*	5/2003	Shamoon	.....	D3/282
D577,912 S	*	10/2008	Sween et al.	.....	D3/282

**1 Claim, 6 Drawing Sheets**





**FIG. 1**

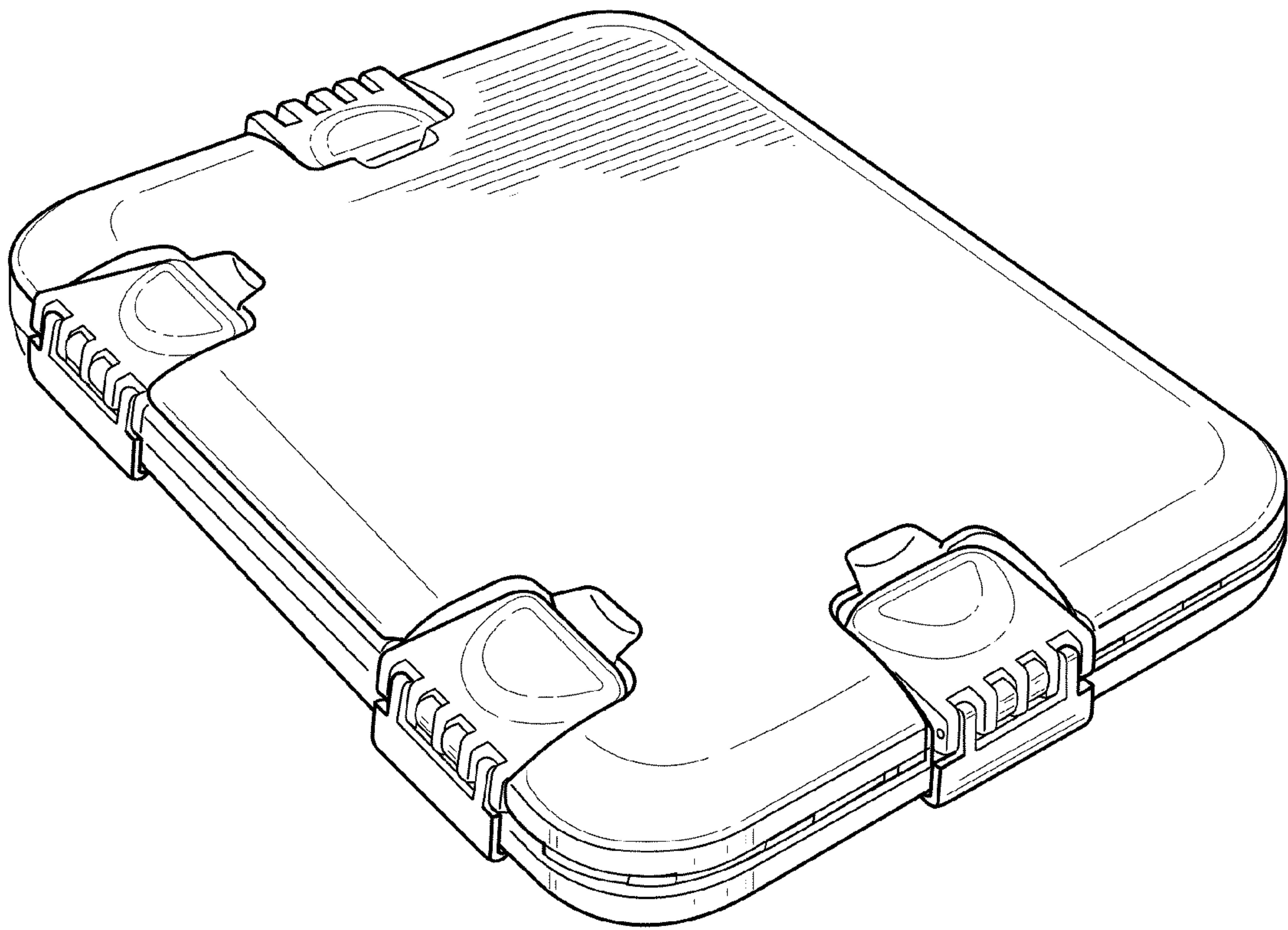
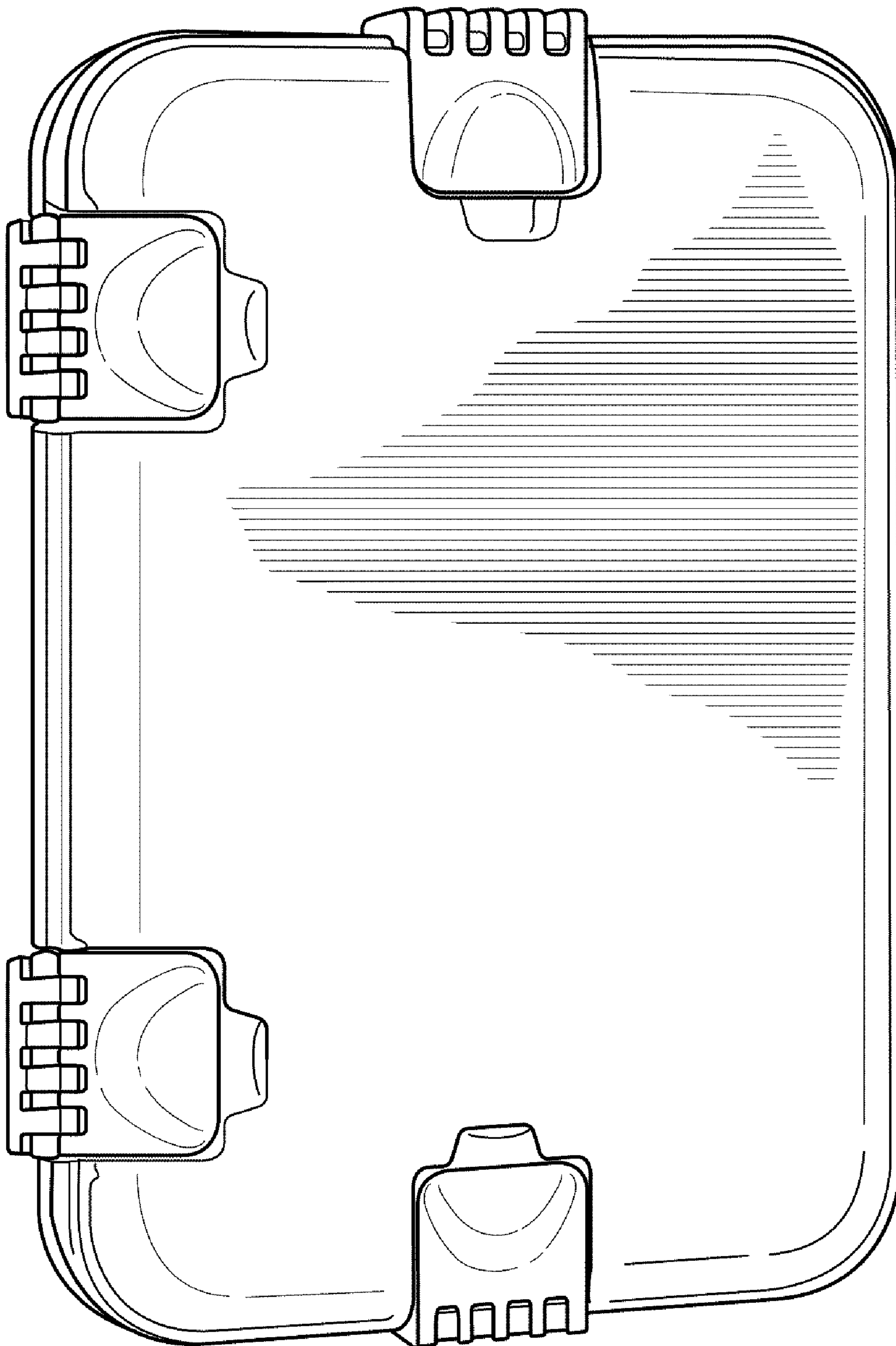
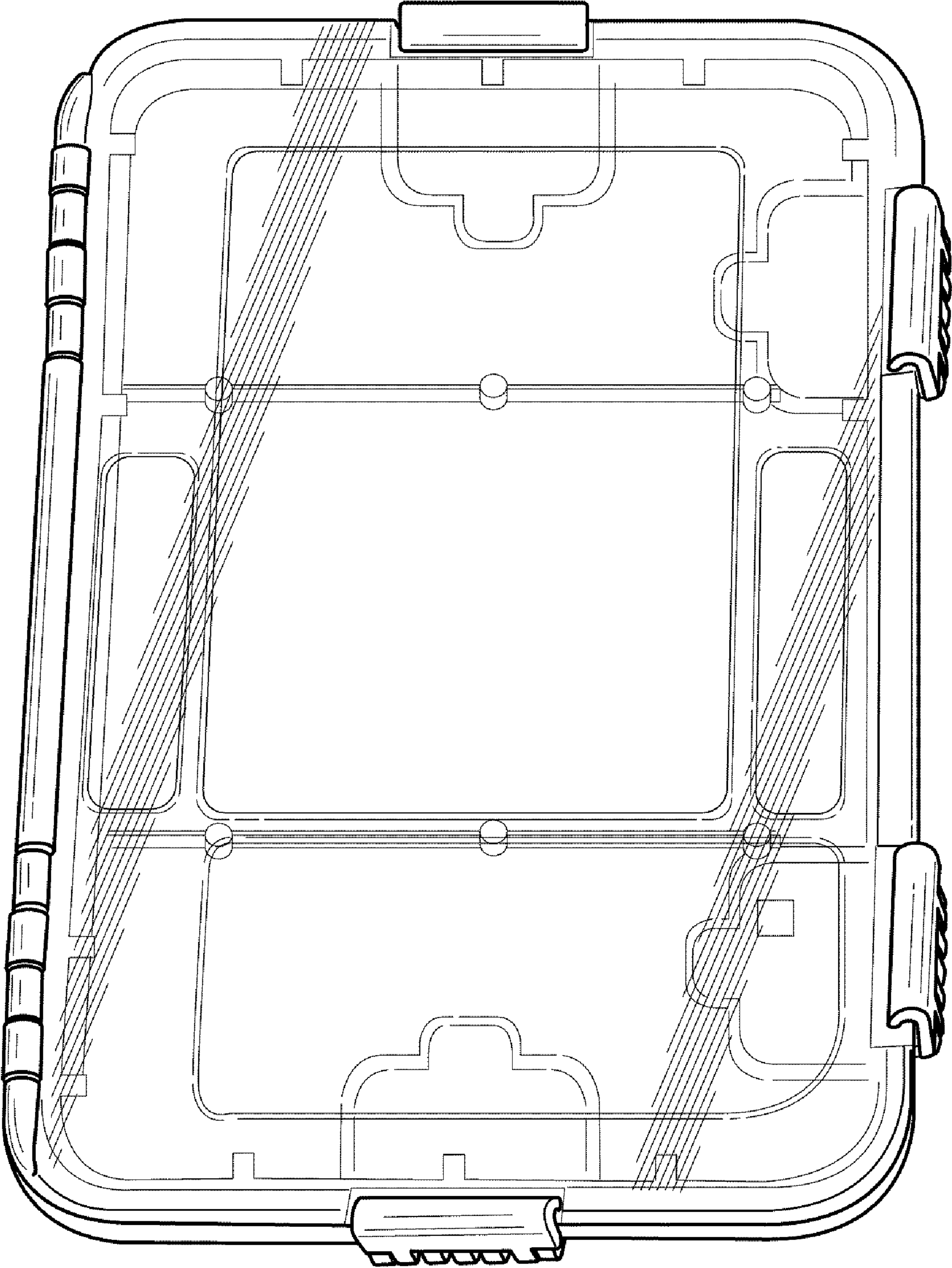


FIG. 2





**FIG. 3**



**FIG. 4**

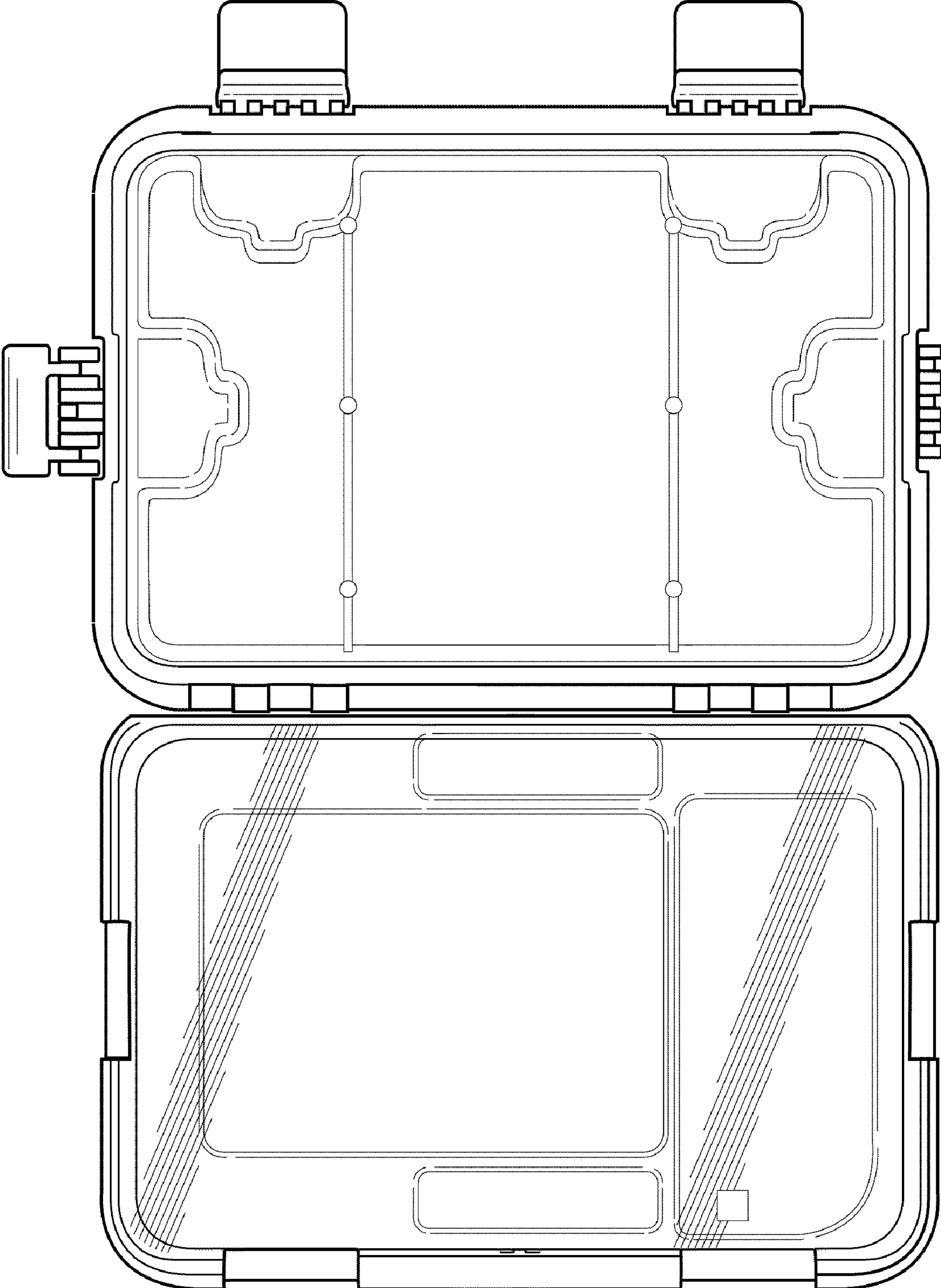


FIG. 5



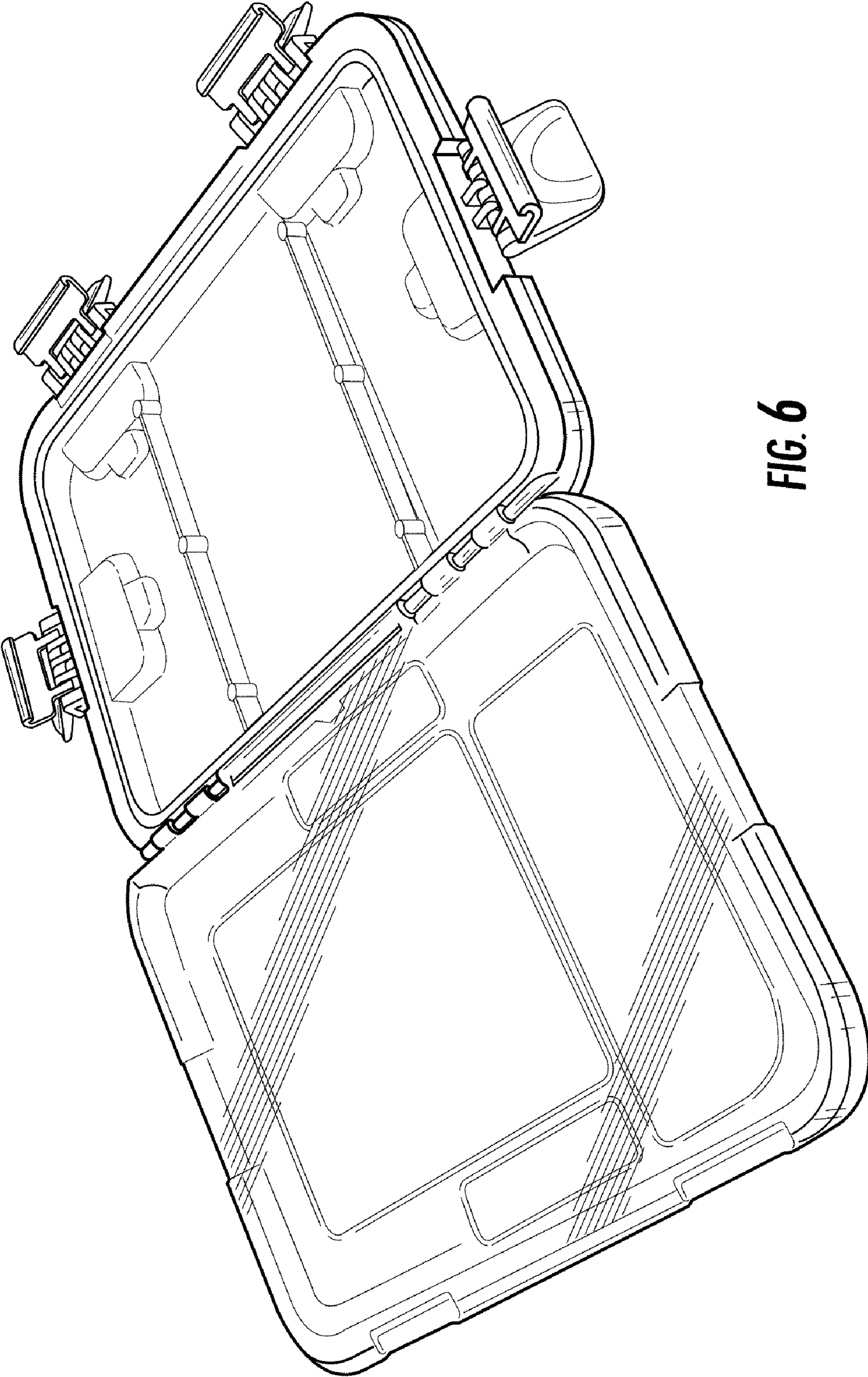


FIG. 6