



US00D647302S

(12) **United States Design Patent**
Hoang

(10) **Patent No.:** **US D647,302 S**

(45) **Date of Patent:** **** Oct. 25, 2011**

(54) **LAPTOP COMPUTER BAG WITH
RETRACTABLE SHELVES**

(76) Inventor: **Lien T. K. Hoang**, Ponte Vedra Beach,
FL (US)

(**) Term: **14 Years**

(21) Appl. No.: **29/372,824**

(22) Filed: **Jan. 18, 2011**

(51) **LOC (9) Cl.** **03-01**

(52) **U.S. Cl.** **D3/289; D3/288; D3/297**

(58) **Field of Classification Search** D3/273,
D3/274, 276, 280, 283–289, 291, 294–297,
D3/298, 301; 190/9–11, 100, 102, 103, 109,
190/108, 110–111, 112, 115, 117, 119, 122;
206/320

See application file for complete search history.

D605,854	S	*	12/2009	Gracer et al.	D3/289
D627,164	S	*	11/2010	Reisenthel	D3/283
D627,166	S	*	11/2010	Fahim	D3/287
2001/0042665	A1		11/2001	Siwak		
2002/0112977	A1*		8/2002	Barber	206/320
2002/0153216	A1*		10/2002	Krulik	190/103
2007/0228097	A1		10/2007	Recanati		
2009/0078707	A1		3/2009	Chen		
2009/0166139	A1*		7/2009	Cleary	190/111
2009/0260940	A1*		10/2009	Gracer et al.	190/110
2009/0314594	A1		12/2009	Harrison et al.		
2010/0192811	A1		8/2010	Khalil		
2010/0236885	A1		9/2010	Scicluna		
2010/0276316	A1		11/2010	Hu et al.		

* cited by examiner

Primary Examiner — Jennifer Rivard

(74) *Attorney, Agent, or Firm* — Paul S. Rooy PA

(57) **CLAIM**

The ornamental design for a laptop computer bag with retractable shelves, as shown and described.

(56) **References Cited**

U.S. PATENT DOCUMENTS

5,115,893	A		5/1992	Terkildsen		
5,160,001	A		11/1992	Marceau		
5,908,147	A	*	6/1999	Chuang	190/11
D412,616	S	*	8/1999	Livingston	D3/276
5,971,148	A	*	10/1999	Jackson	206/320
6,145,661	A		11/2000	Jung		
D435,343	S		12/2000	Eskandry		
D441,190	S		5/2001	Eskandry		
D441,533	S	*	5/2001	Tawil	D3/283
6,269,948	B1		8/2001	Jackson		
D458,749	S	*	6/2002	Bruni et al.	D3/289
D464,197	S	*	10/2002	Kegels	D3/289
D474,889	S	*	5/2003	Ko	D3/296
6,604,618	B1*		8/2003	Godshaw et al.	190/107
D506,609	S	*	6/2005	Hillman	D3/289
D529,717	S	*	10/2006	Brancky	D3/285
D574,615	S	*	8/2008	Picot et al.	D3/289
7,588,146	B1		9/2009	Salander et al.		
7,593,222	B2		9/2009	Zibowzki		
7,617,917	B2*		11/2009	Hai et al.	190/106

DESCRIPTION

FIG. 1 is a top perspective view of a laptop computer bag with retractable shelves.

FIG. 2 is a bottom perspective view of a laptop computer bag with retractable shelves.

FIG. 3 is a front elevation view of a laptop computer bag with retractable shelves.

FIG. 4 is a rear elevation view of a laptop computer bag with retractable shelves.

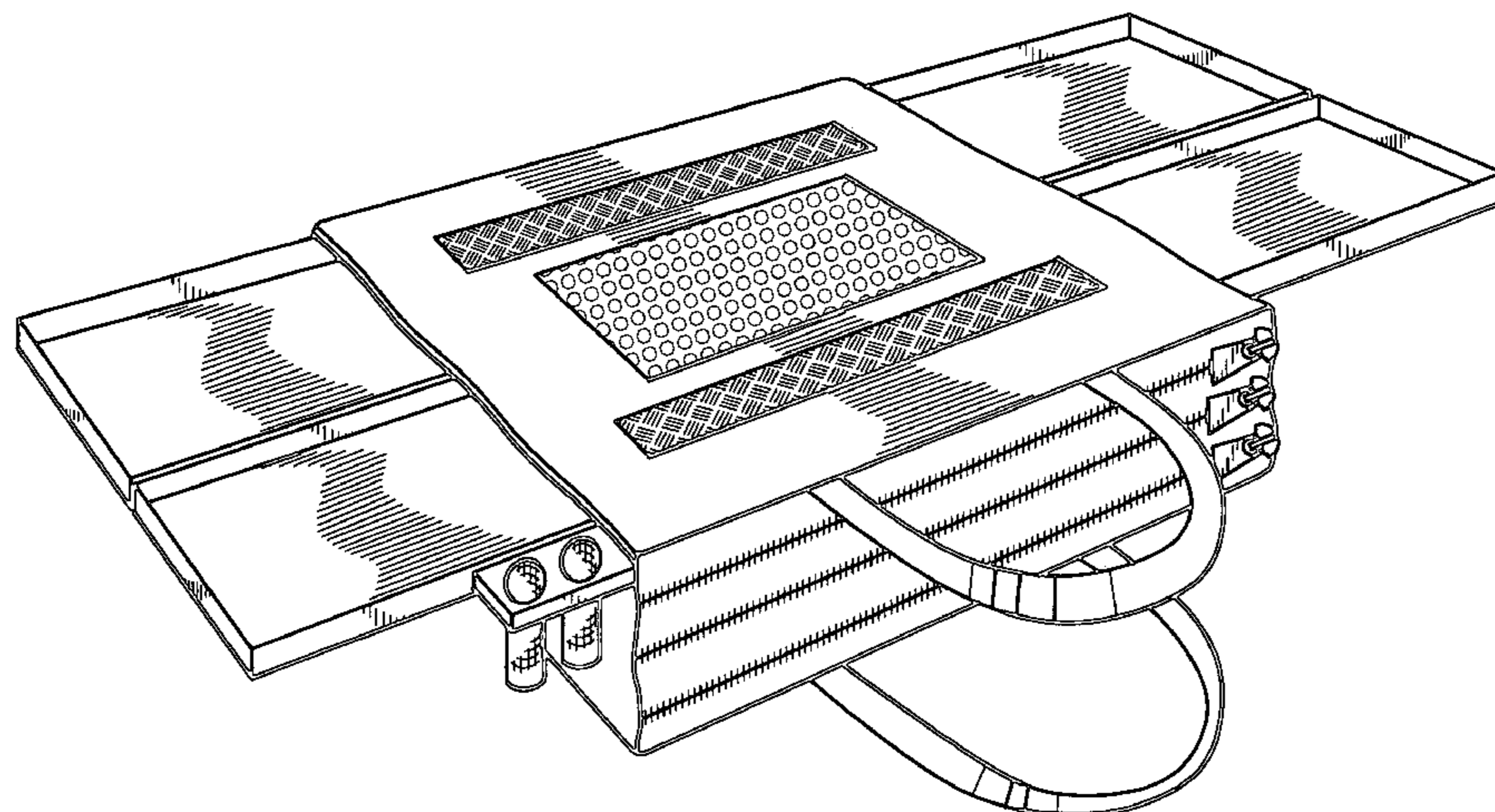
FIG. 5 is a top plan view of a laptop computer bag with retractable shelves.

FIG. 6 is a bottom plan view of a laptop computer bag with retractable shelves.

FIG. 7 is a right side view of a laptop computer bag with retractable shelves; and,

FIG. 8 is a left side view of a laptop computer bag with retractable shelves.

1 Claim, 6 Drawing Sheets



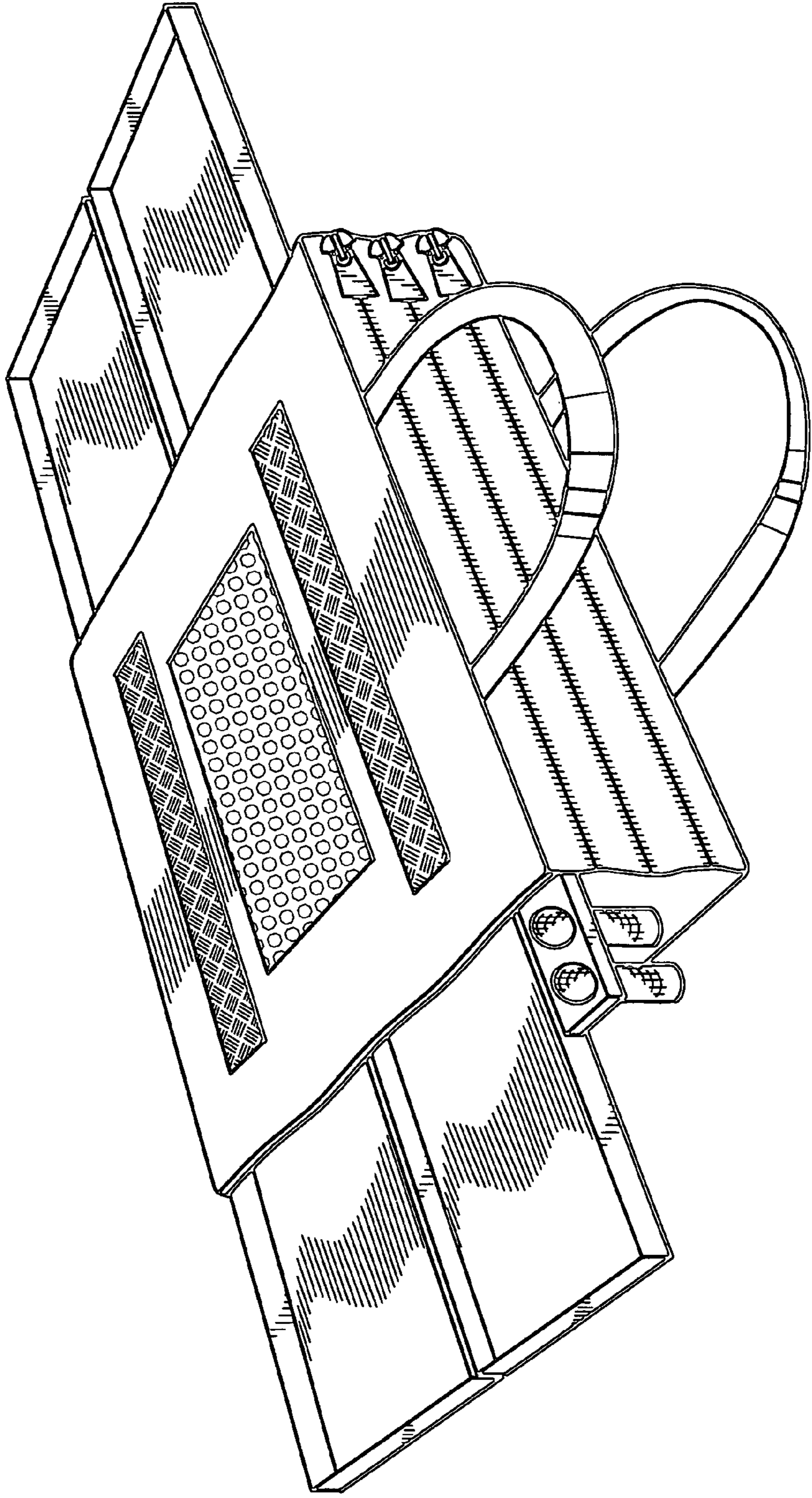


Fig. 1

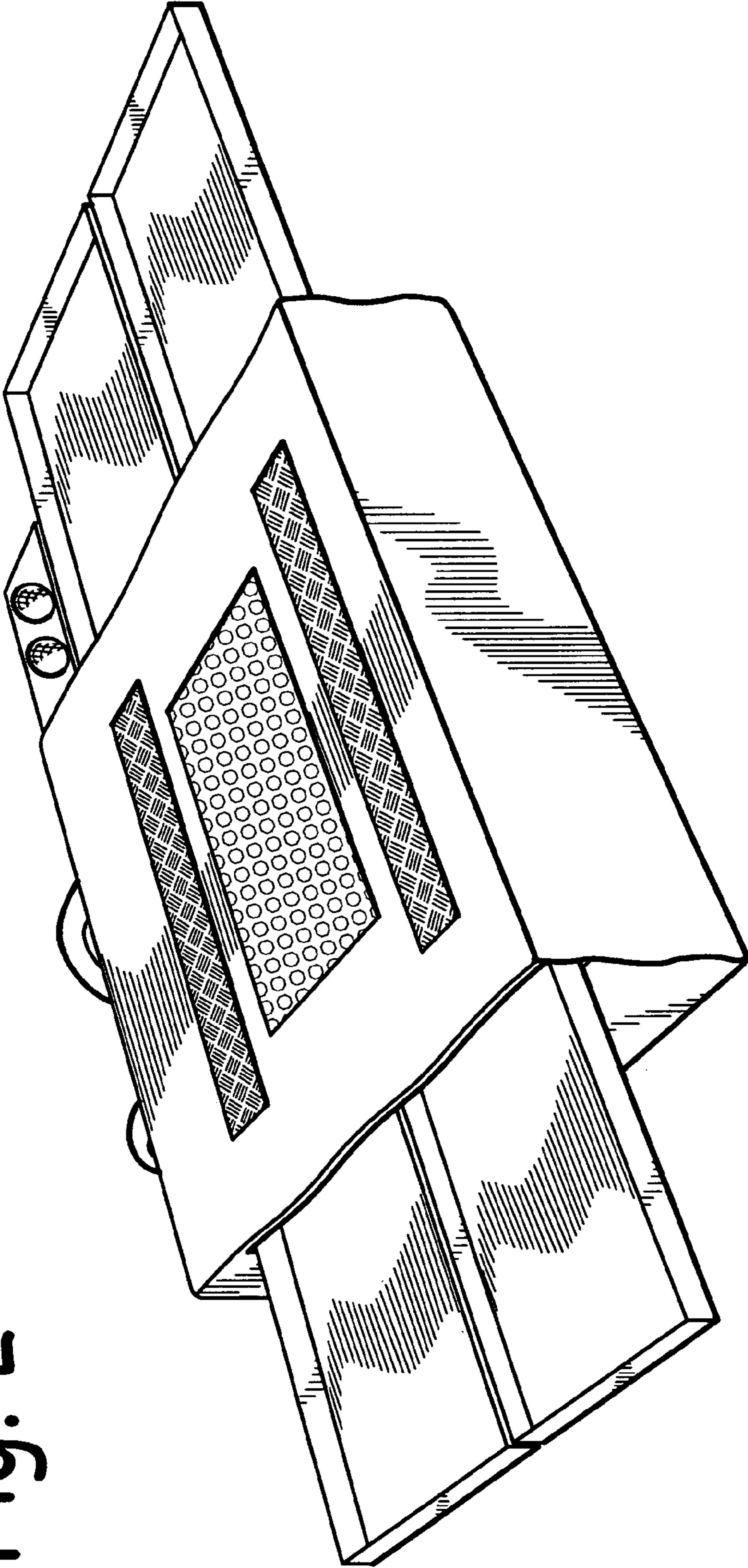


Fig. 2

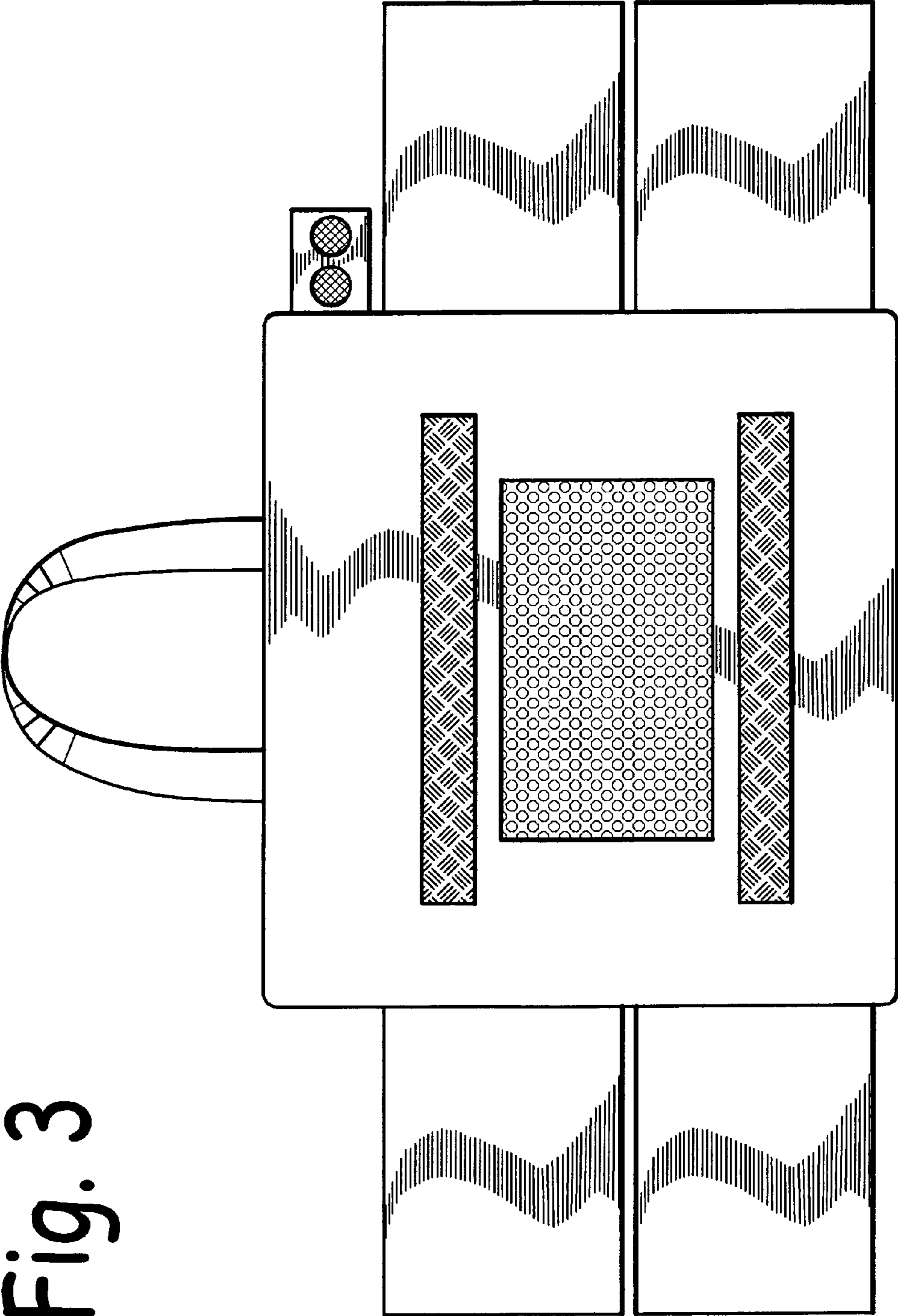


Fig. 3

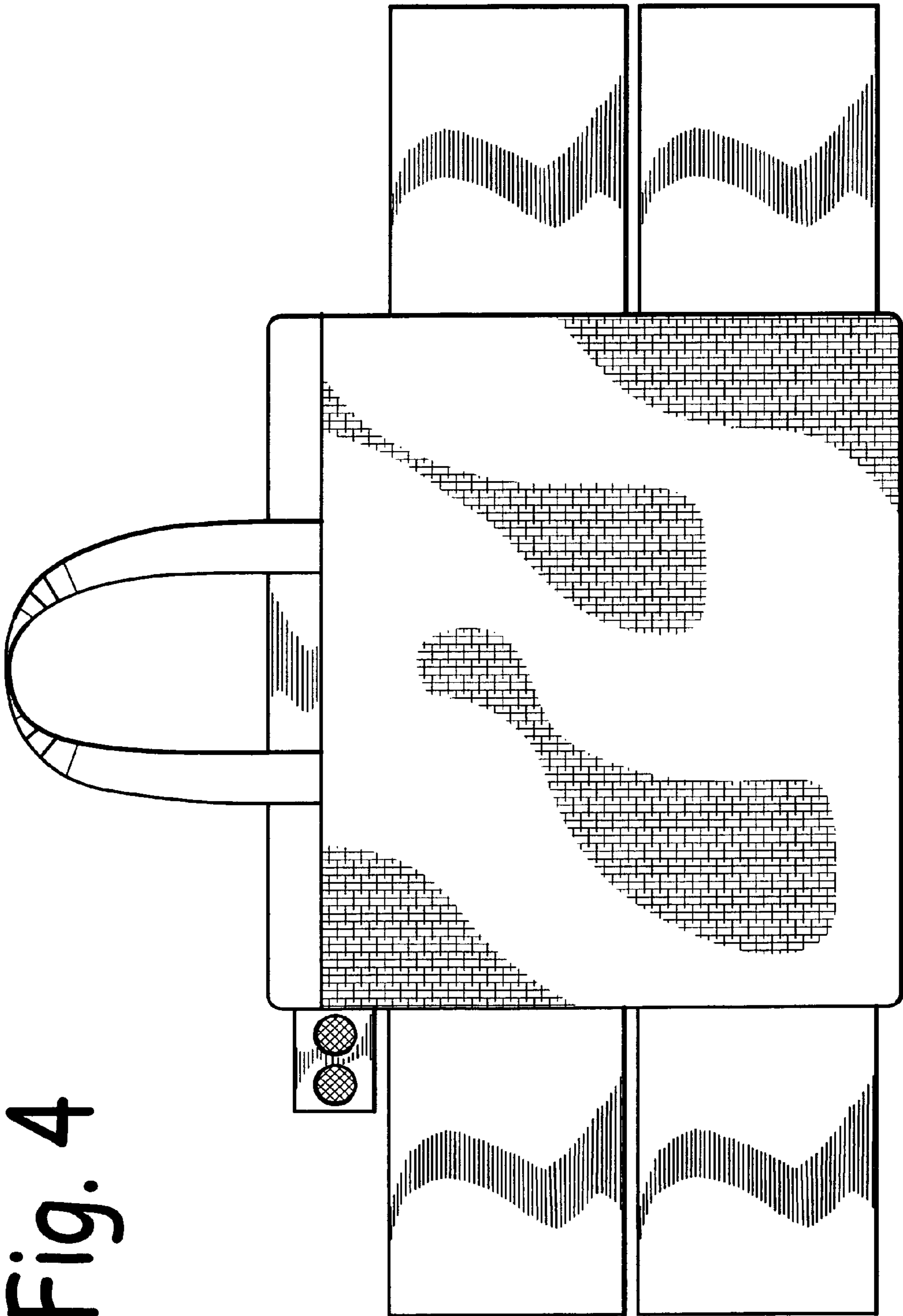


Fig. 4

Fig. 5

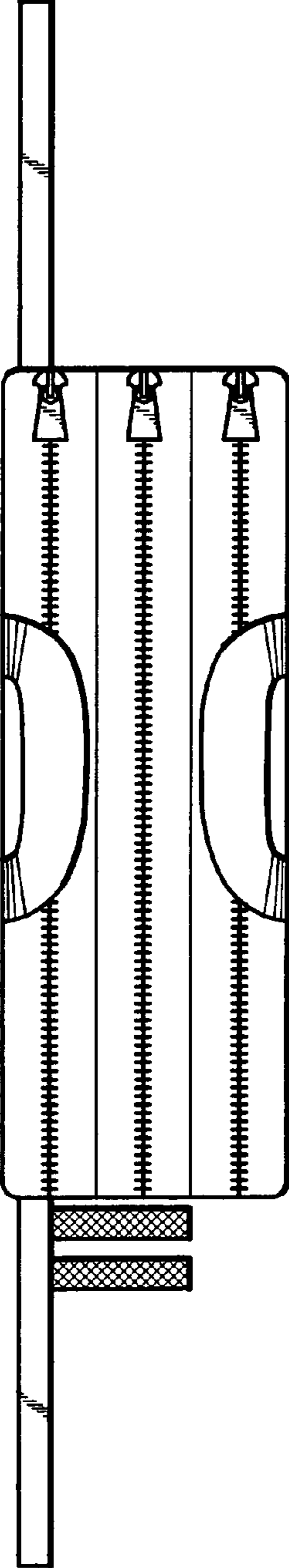


Fig. 6

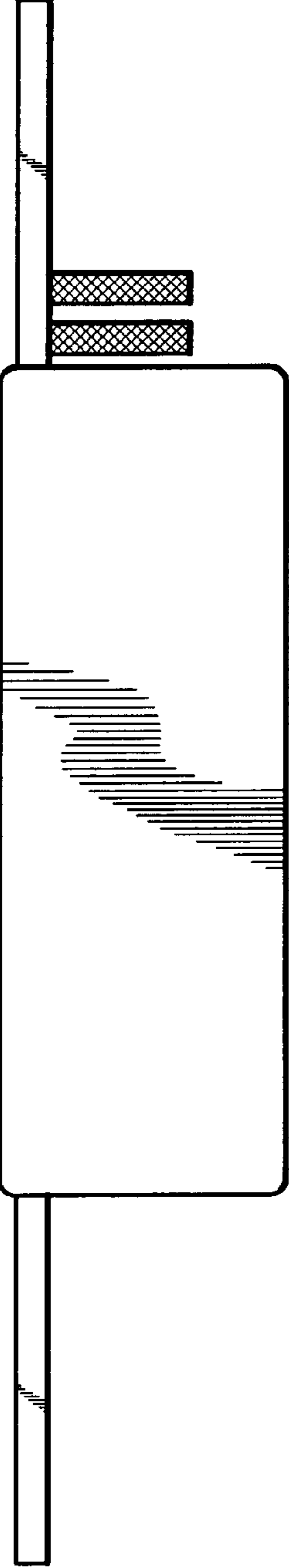


Fig. 7

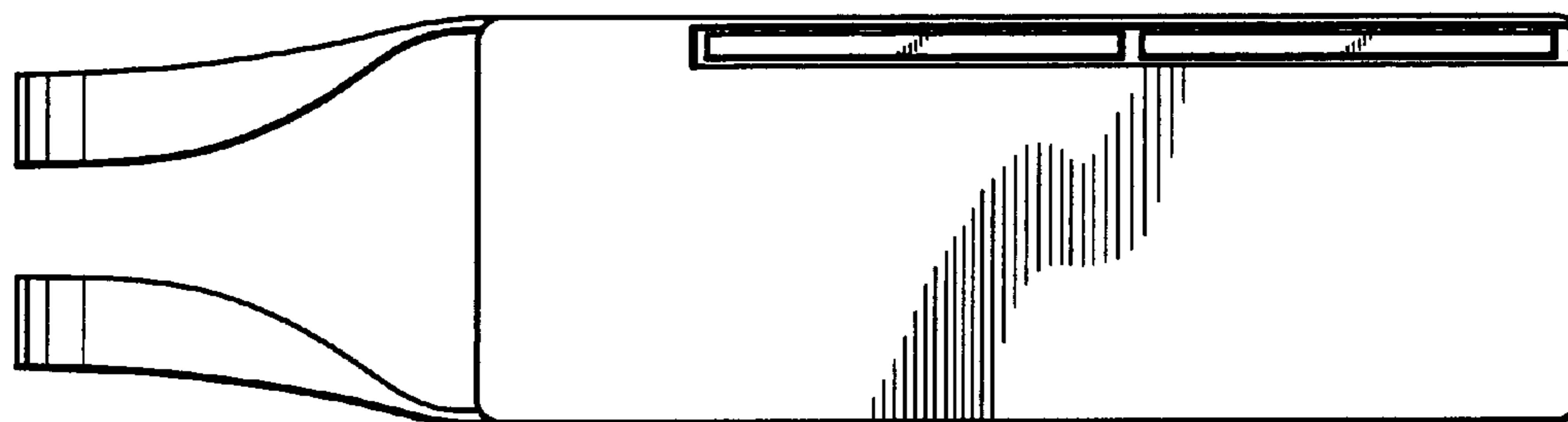


Fig. 8

