



US00D647300S

(12) **United States Design Patent**  
**Shitrit et al.**

(10) **Patent No.:** **US D647,300 S**

(45) **Date of Patent:** **\*\* Oct. 25, 2011**

(54) **CONTAINER WITH LATCH**

(75) Inventors: **Elad Hay Shitrit**, Tel Aviv (IL); **Mark Bensman**, Rosh Ha' Ayin (IL)

(73) Assignee: **The Stanley Works Israel Ltd.**, Rosh Ha' Ayin (IL)

(\*\*) Term: **14 Years**

(21) Appl. No.: **29/381,858**

(22) Filed: **Dec. 23, 2010**

(51) **LOC (9) Cl.** ..... **03-01**

(52) **U.S. Cl.** ..... **D3/281; D3/905**

(58) **Field of Classification Search** ..... D3/254,  
D3/260, 273, 276, 280, 283-291, 302, 301,  
D3/303, 905; 220/523, 524, 527; 206/349,  
206/372-379; 190/109, 111, 115, 107, 126,  
190/903; D7/605

See application file for complete search history.

(56) **References Cited**

**U.S. PATENT DOCUMENTS**

D453,624 S \* 2/2002 Itzkovitch ..... D3/276  
D505,011 S \* 5/2005 Einav ..... D3/274

D527,181 S \* 8/2006 Henning et al. .... D3/276  
7,334,680 B2 \* 2/2008 Cunningham et al. .... 206/372  
D577,488 S \* 9/2008 Weng et al. .... D3/281  
D627,968 S \* 11/2010 Brunner ..... D3/281  
D630,435 S \* 1/2011 Brunner ..... D3/276  
D639,055 S \* 6/2011 Fraiman et al. .... D3/276  
2002/0125160 A1 \* 9/2002 Itzkovitch ..... 206/373  
2004/0134818 A1 \* 7/2004 Cunningham et al. .... 206/373

\* cited by examiner

*Primary Examiner* — Jennifer Rivard

(74) *Attorney, Agent, or Firm* — Pillsbury Winthrop Shaw Pittman LLP

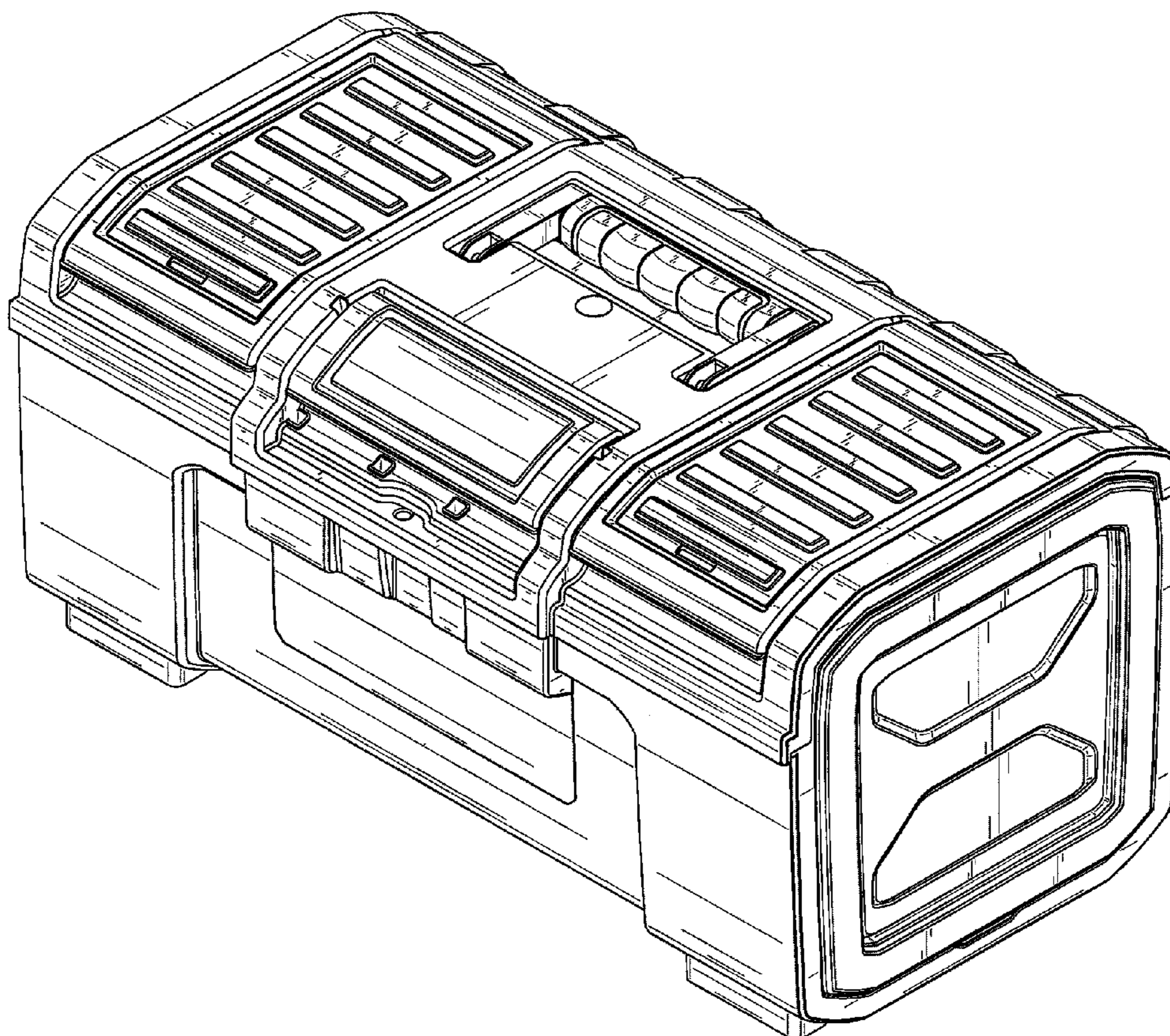
(57) **CLAIM**

The ornamental design for a container with latch, as shown and described.

**DESCRIPTION**

FIG. 1 is an isometric view according to our design; FIG. 2 is a front elevation view of the design of FIG. 1; FIG. 3 is a rear elevation view of the design of FIG. 1; FIG. 4 is a left side elevation view of the design of FIG. 1; FIG. 5 is a right side elevation view of the design of FIG. 1; FIG. 6 is a top plan view of the design of FIG. 1; and, FIG. 7 is a bottom plan view of the design of FIG. 1.

**1 Claim, 6 Drawing Sheets**



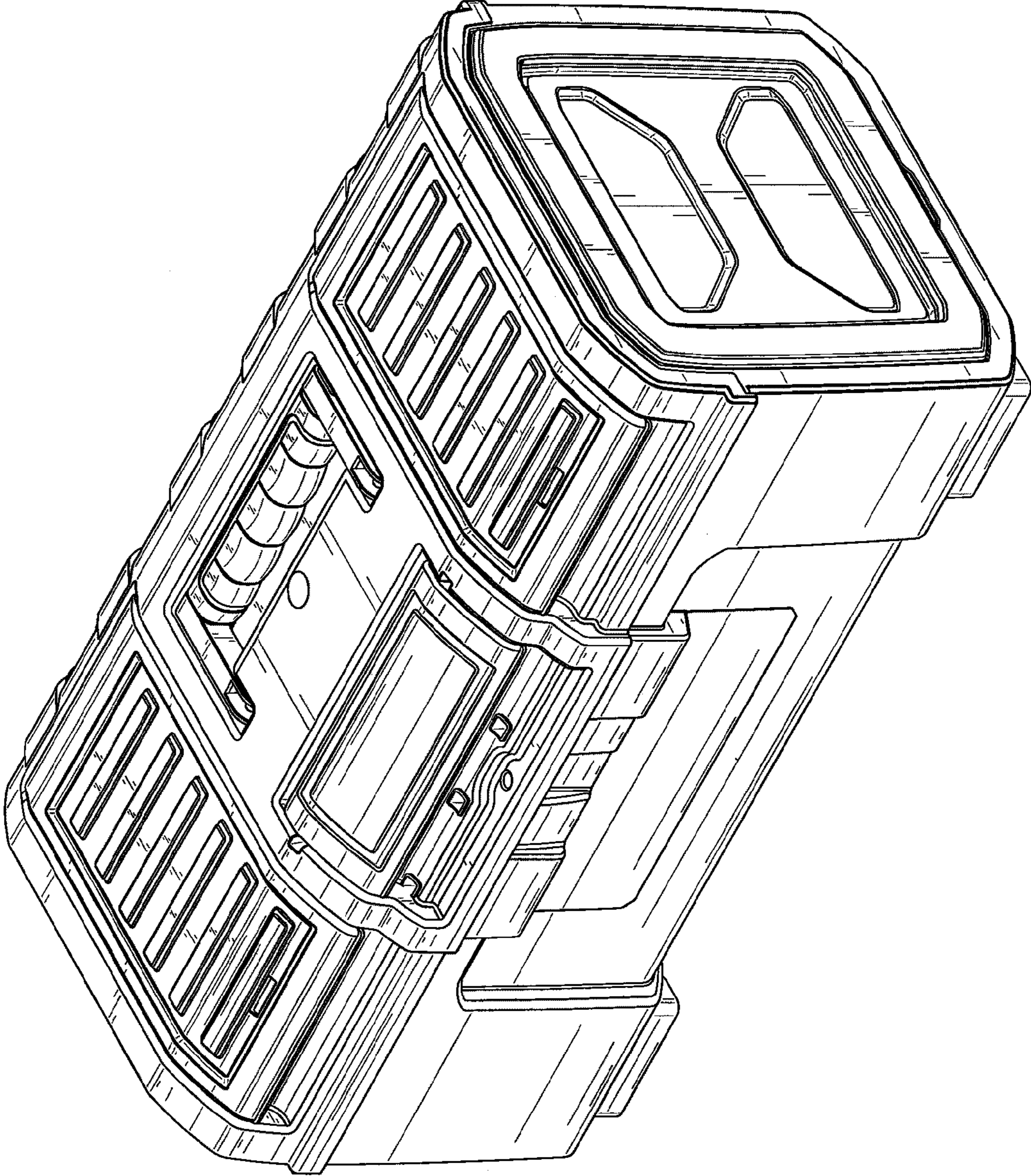


FIG. 1

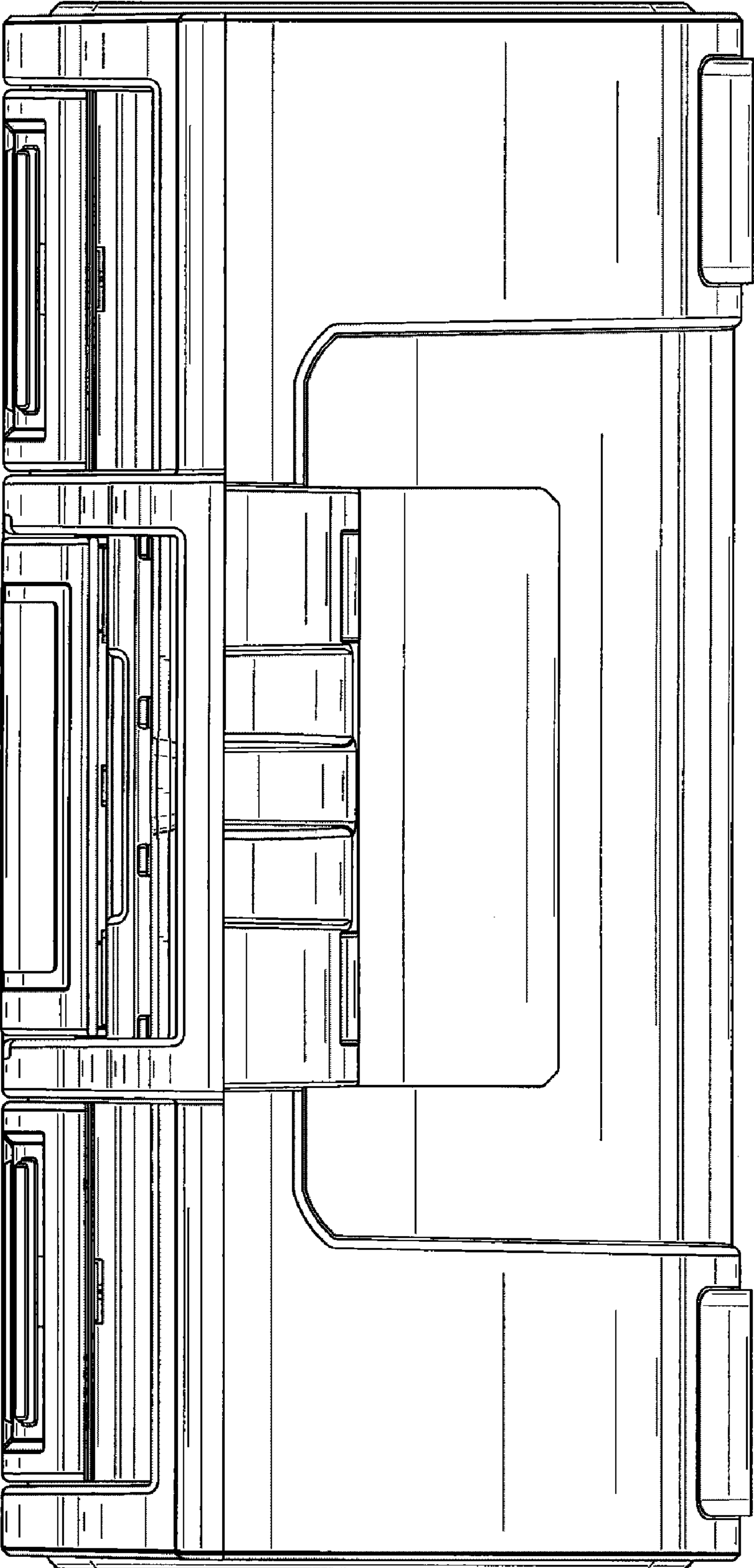


FIG. 2

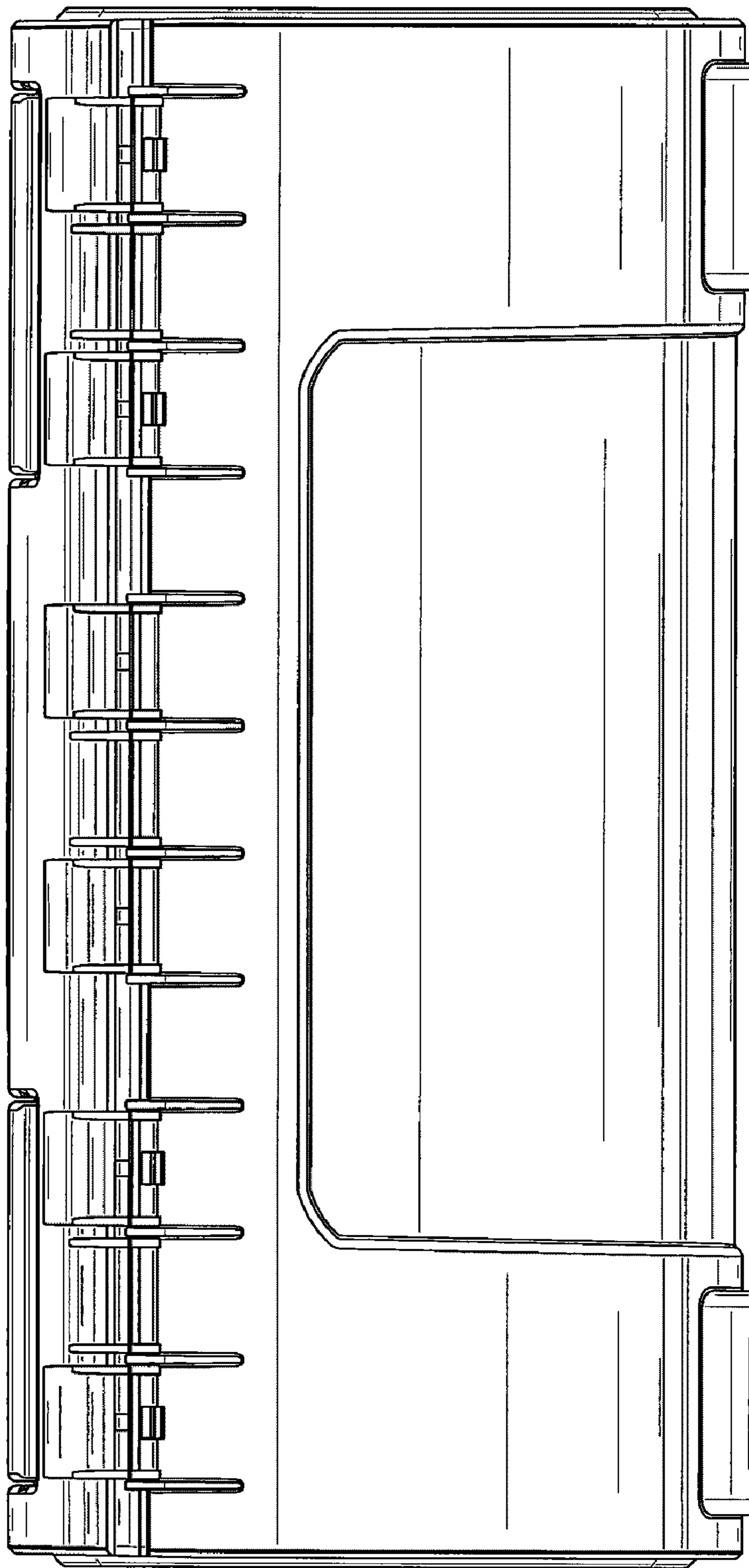


FIG. 3

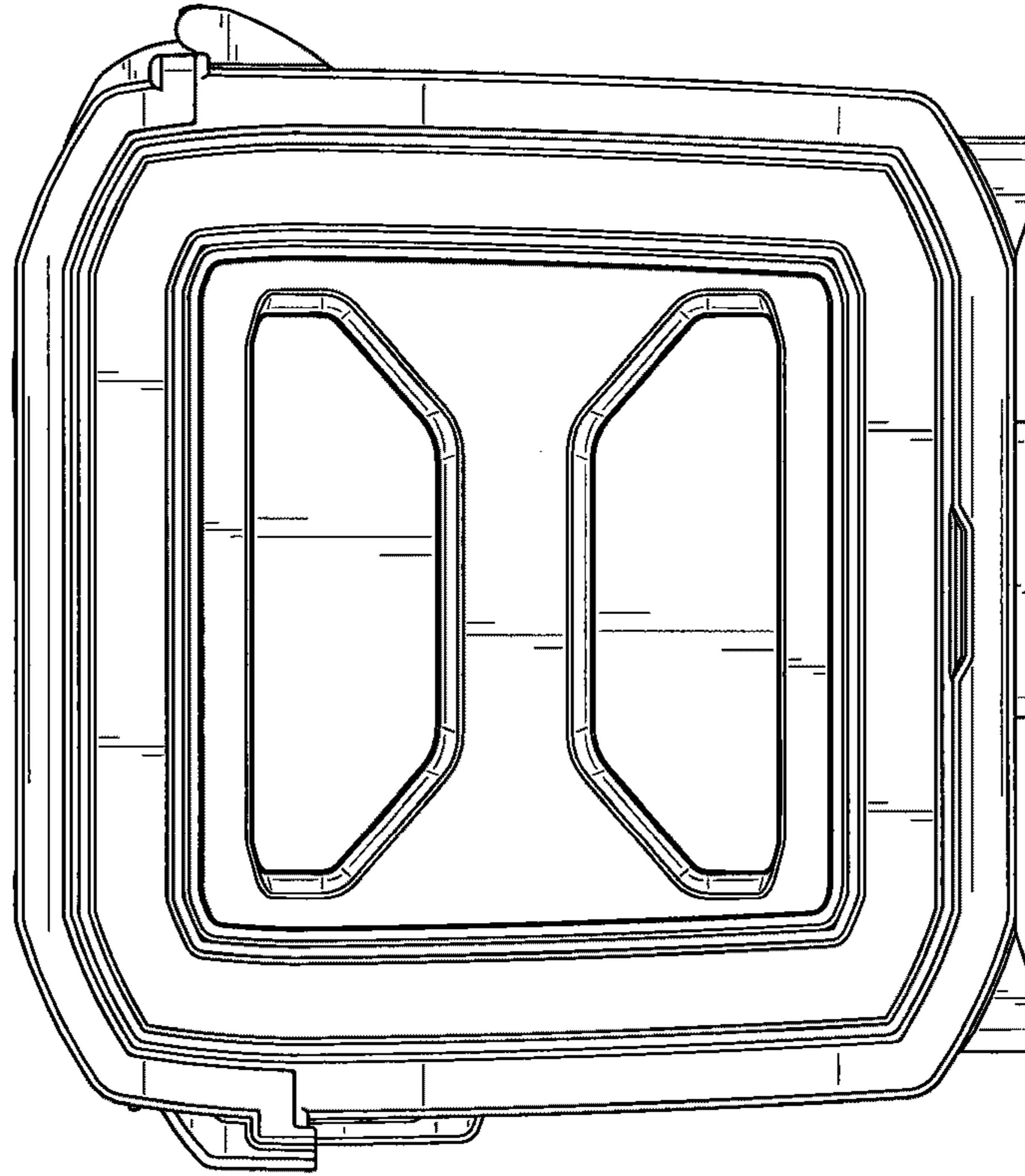


FIG. 5

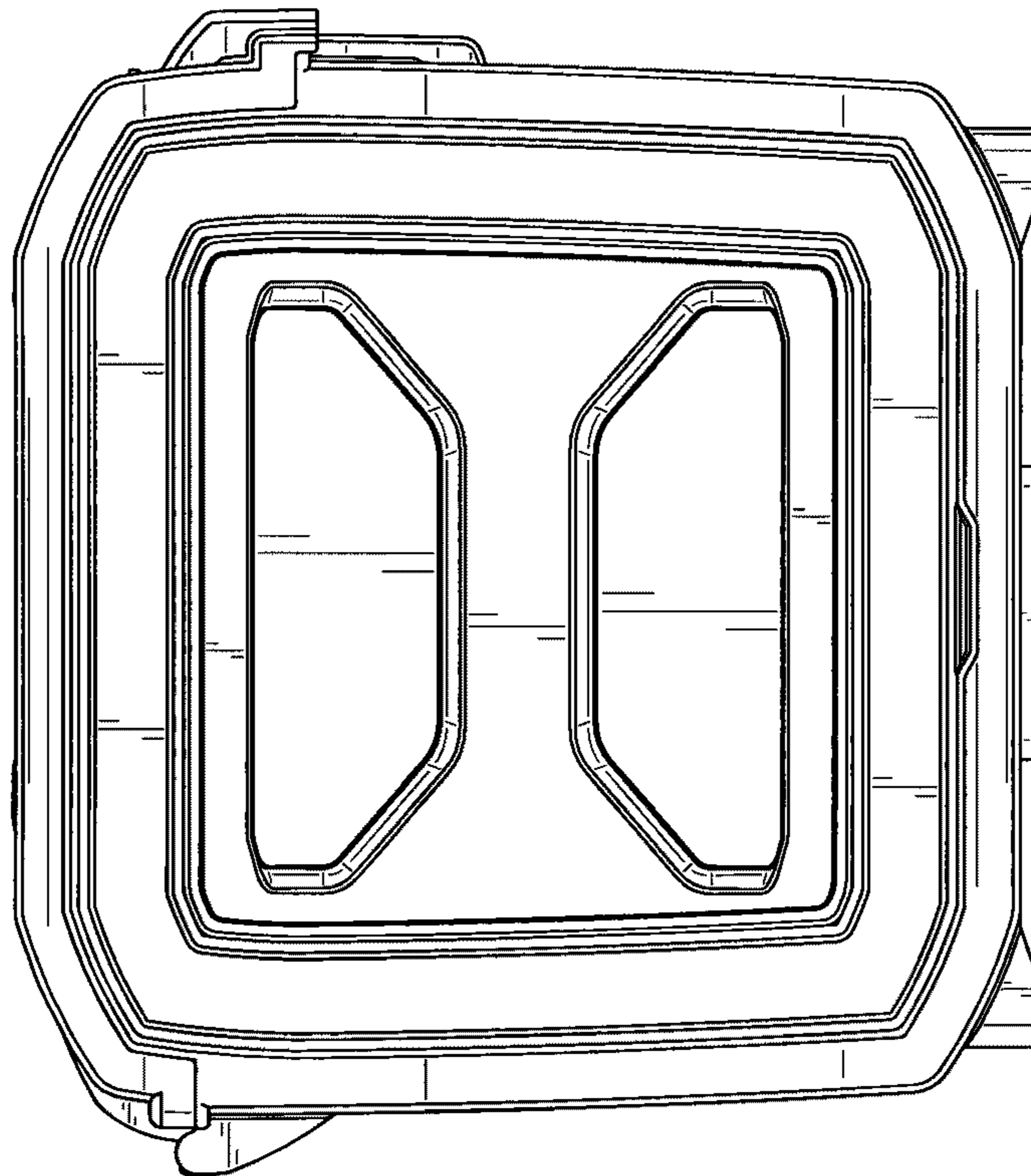


FIG. 4

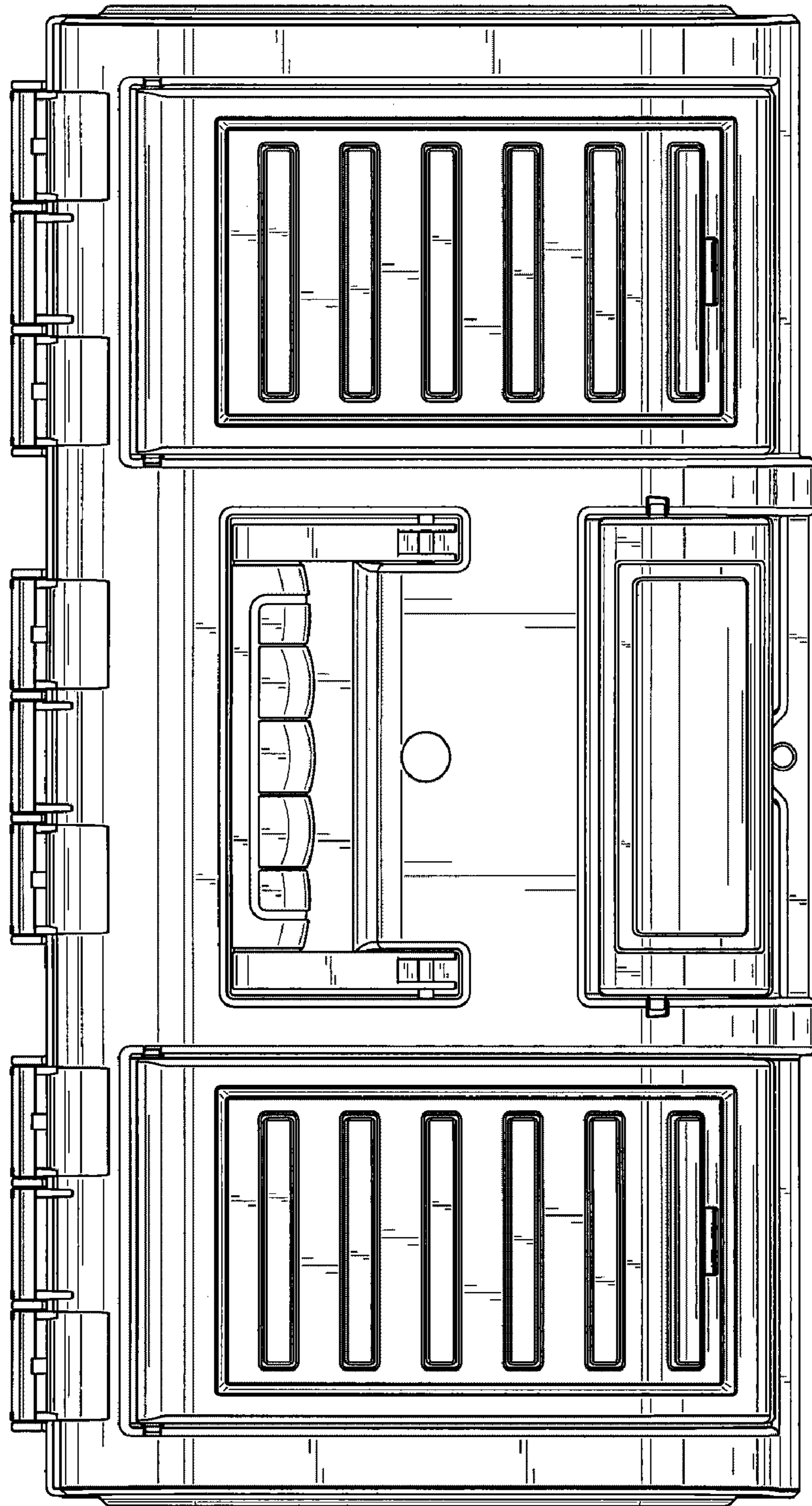


FIG. 6

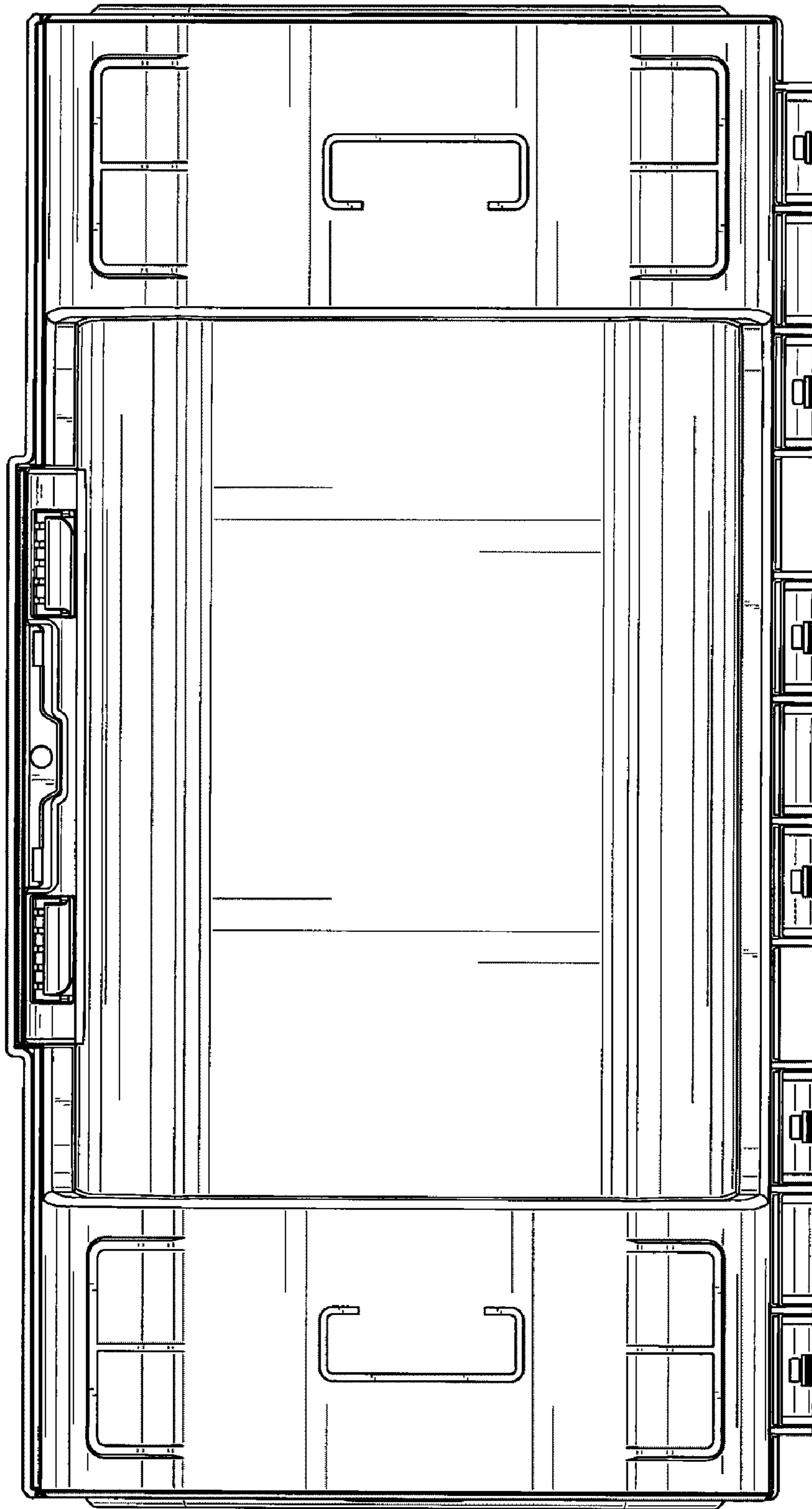


FIG. 7