



US00D647297S

(12) **United States Design Patent**
Chen

(10) **Patent No.:** **US D647,297 S**

(45) **Date of Patent:** **** Oct. 25, 2011**

(54) **TOOL BOX**

(76) Inventor: **Kuan-Wei Chen**, Taichung (TW)

(**) Term: **14 Years**

(21) Appl. No.: **29/386,079**

(22) Filed: **Feb. 24, 2011**

(51) **LOC (9) Cl.** **03-01**

(52) **U.S. Cl.** **D3/273; D3/905**

(58) **Field of Classification Search** D3/254,
D3/260, 273, 276, 280, 283–291, 302, 301,
D3/303, 905; 220/523, 524, 527; 206/349,
206/372–379; 190/109, 111, 115, 107, 126,
190/903; D7/605

See application file for complete search history.

(56) **References Cited**

U.S. PATENT DOCUMENTS

5,456,358	A *	10/1995	Schmidt	206/373
D419,298	S *	1/2000	Bramsiepe et al.	D3/273
D433,231	S *	11/2000	Kaplan	D3/294
D435,725	S *	1/2001	Budert	D3/276
D516,312	S *	3/2006	Chan	D3/273
D590,325	S *	4/2009	Hall	D3/905

D630,015	S *	1/2011	Weng et al.	D3/276
2006/0065563	A1 *	3/2006	Schmidt et al.	206/372
2010/0270193	A1 *	10/2010	Eaton	206/372

* cited by examiner

Primary Examiner — Jennifer Rivard

(74) *Attorney, Agent, or Firm* — Browdy and Neimark, PLLC

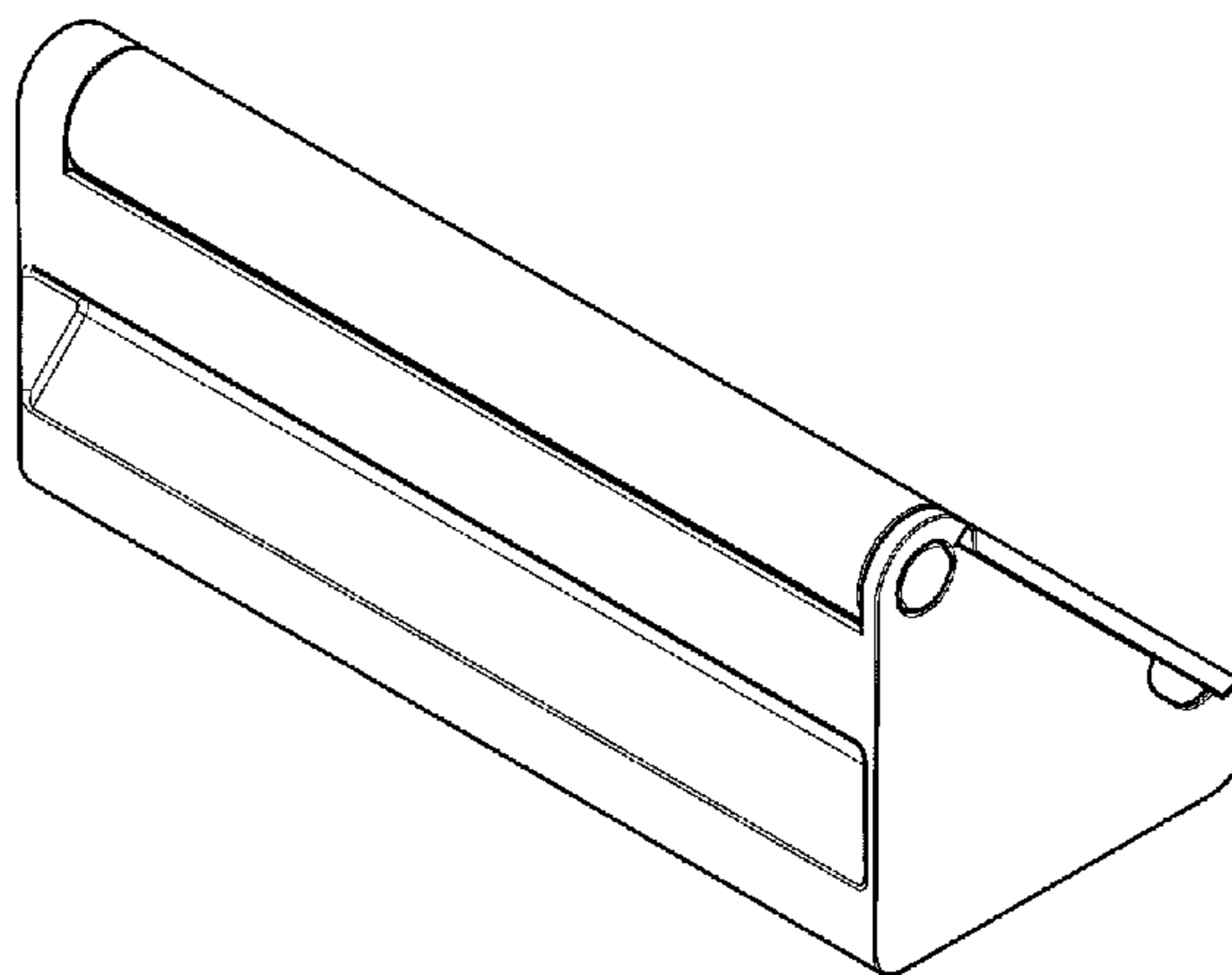
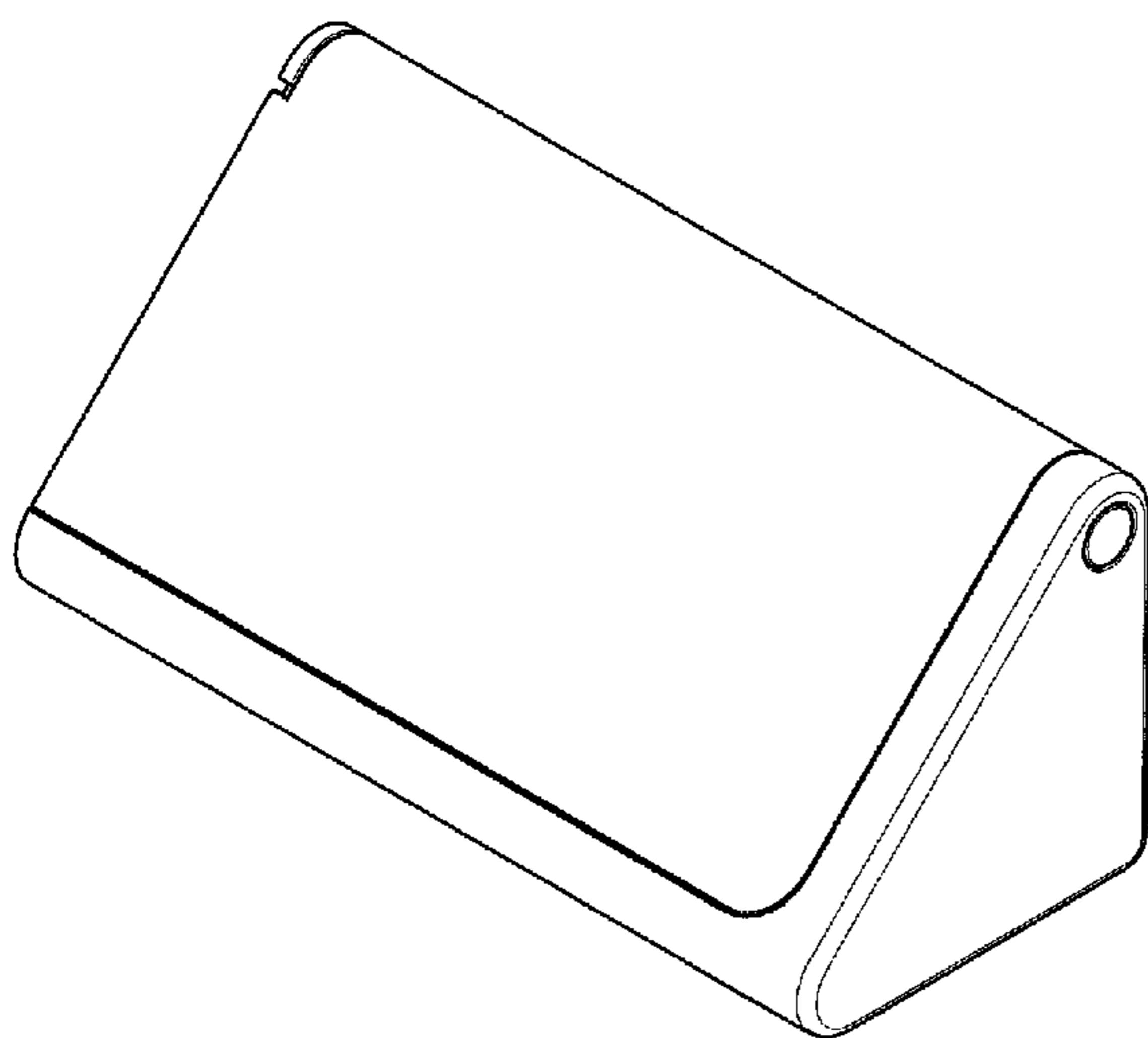
(57) **CLAIM**

I claim the ornamental design for a tool box, as shown and described.

DESCRIPTION

FIG. 1 is a right perspective view of a tool box showing my new design;
FIG. 2 is a front elevational view thereof;
FIG. 3 is a rear elevational view thereof;
FIG. 4 is a left side elevational view thereof;
FIG. 5 is a right side elevational view thereof;
FIG. 6 is a top plan view thereof;
FIG. 7 is a bottom plan view thereof;
FIG. 8 is a rear perspective view thereof; and,
FIG. 9 is a bottom perspective view thereof.

1 Claim, 6 Drawing Sheets



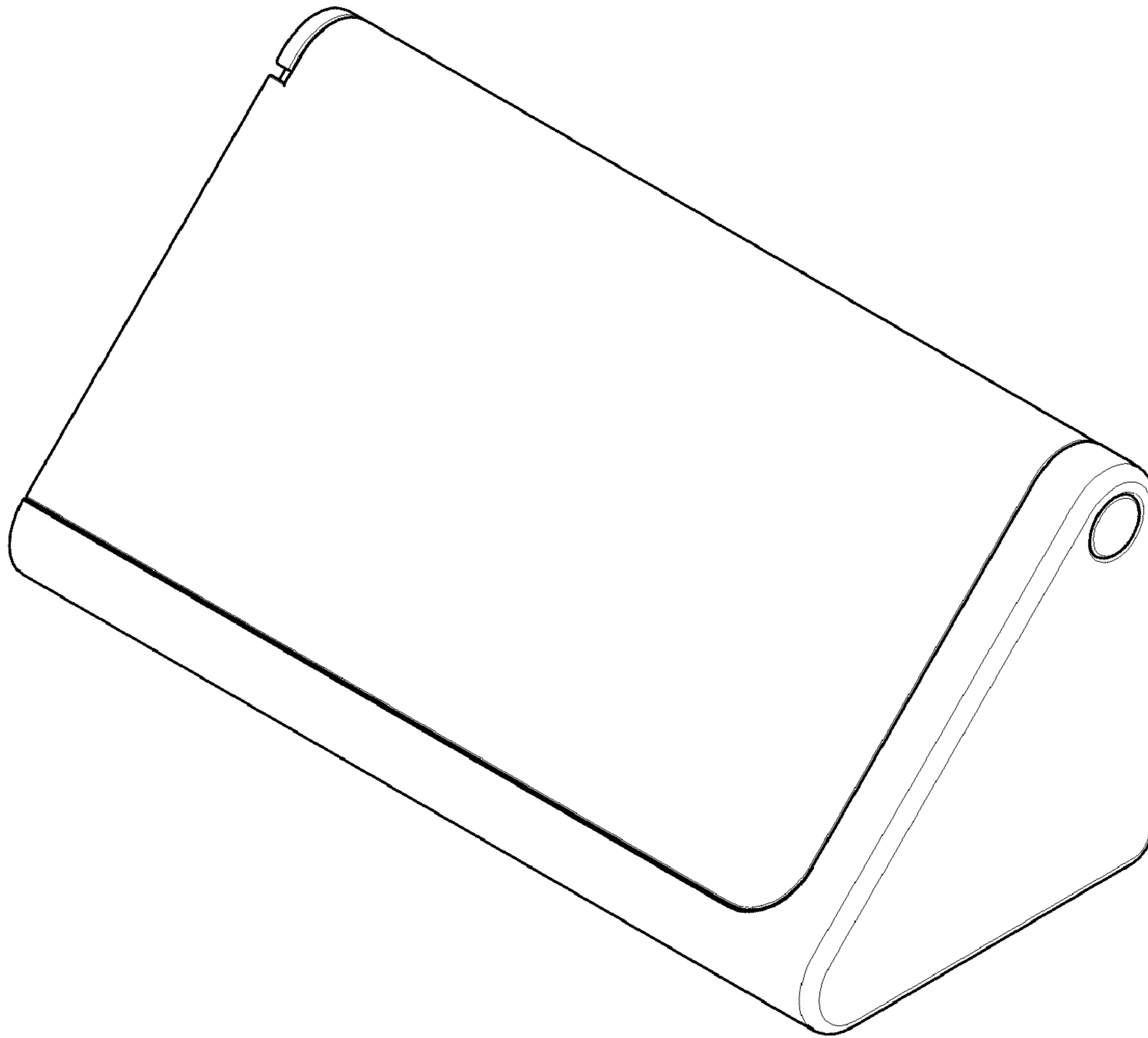


FIG. 1

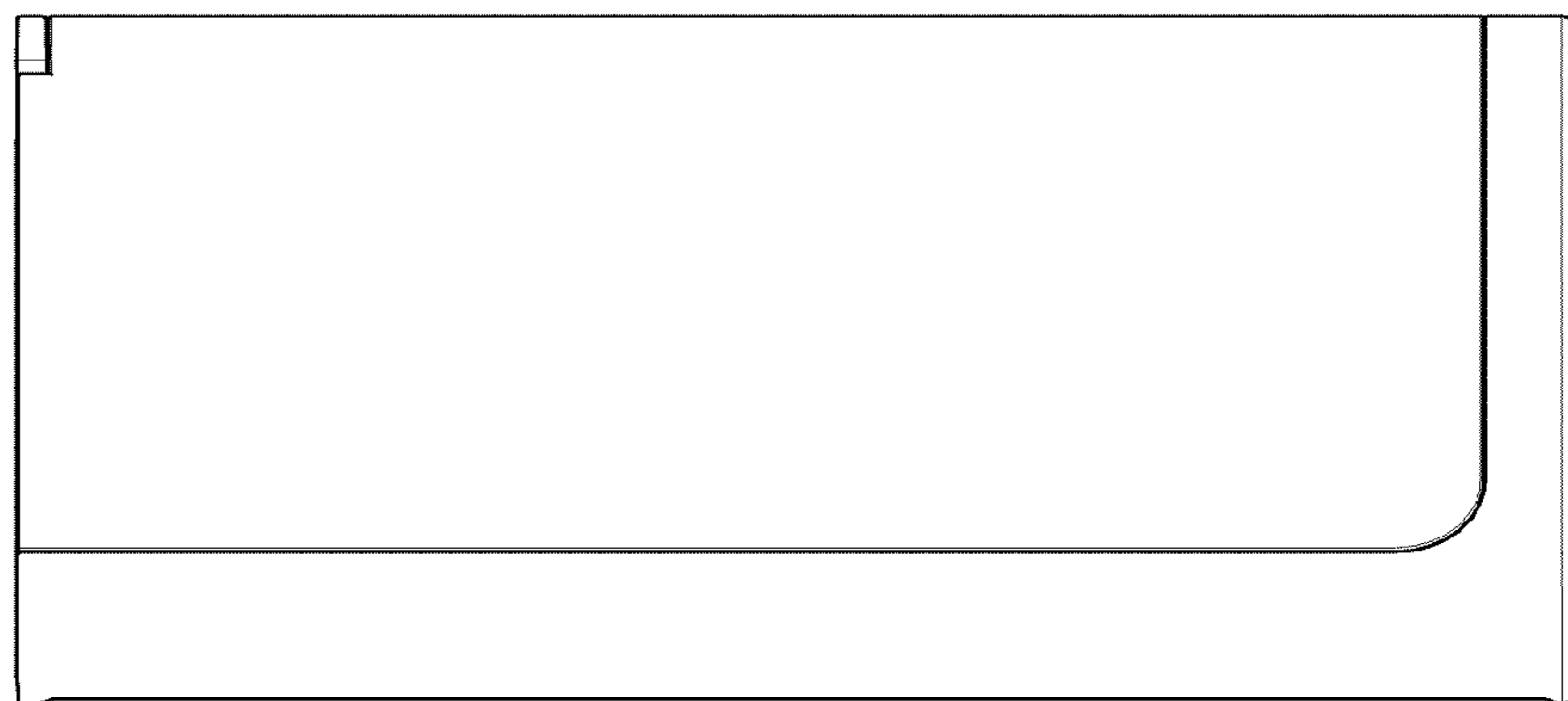


FIG. 2

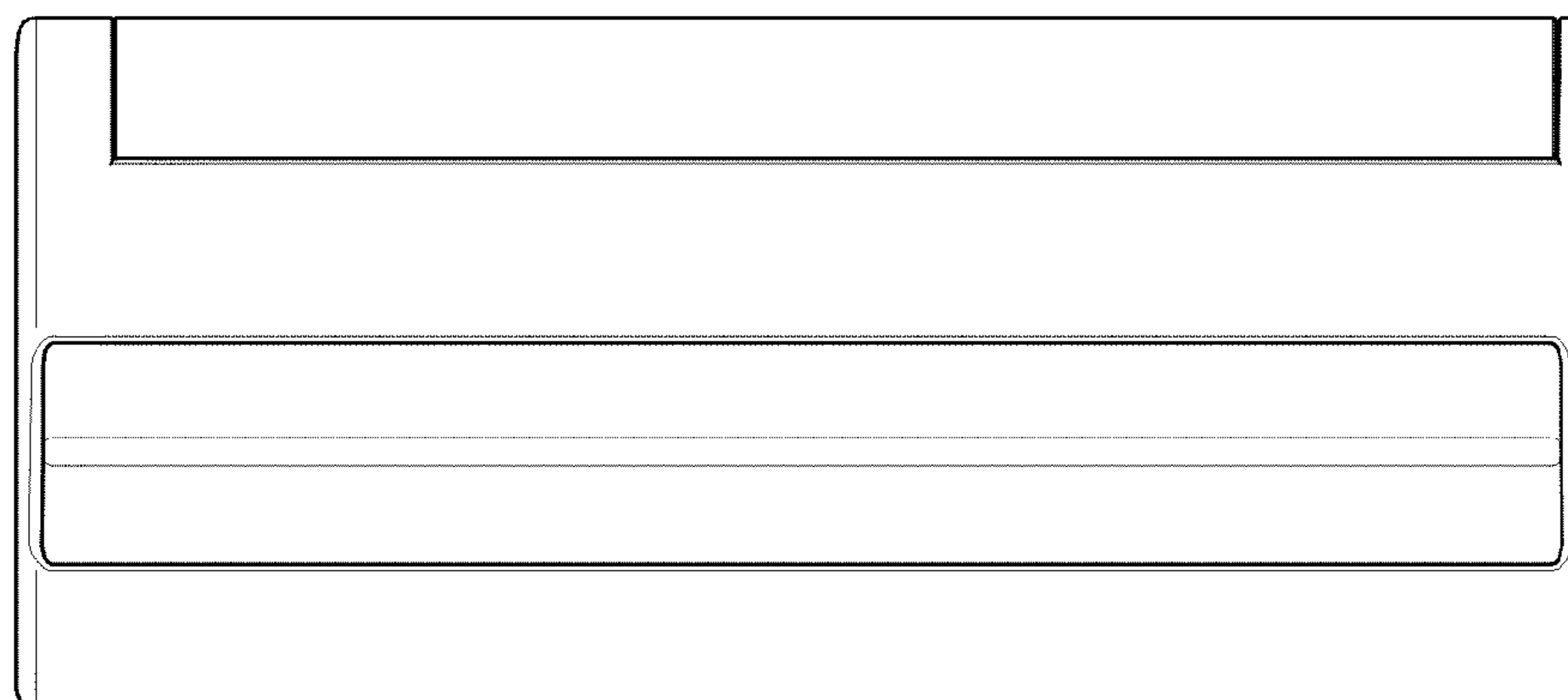


FIG. 3

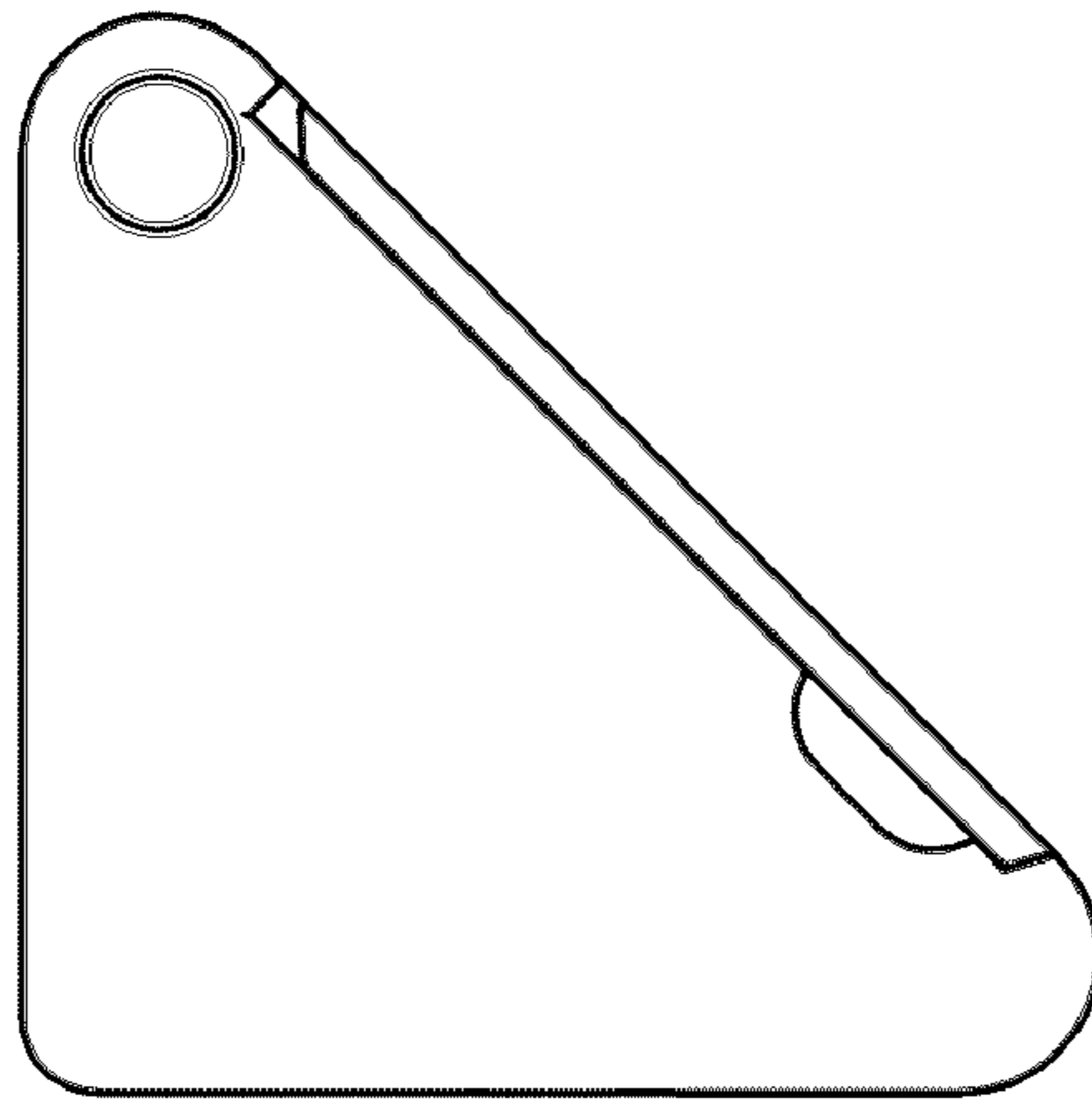


FIG. 4



FIG. 5



FIG. 6



FIG. 7

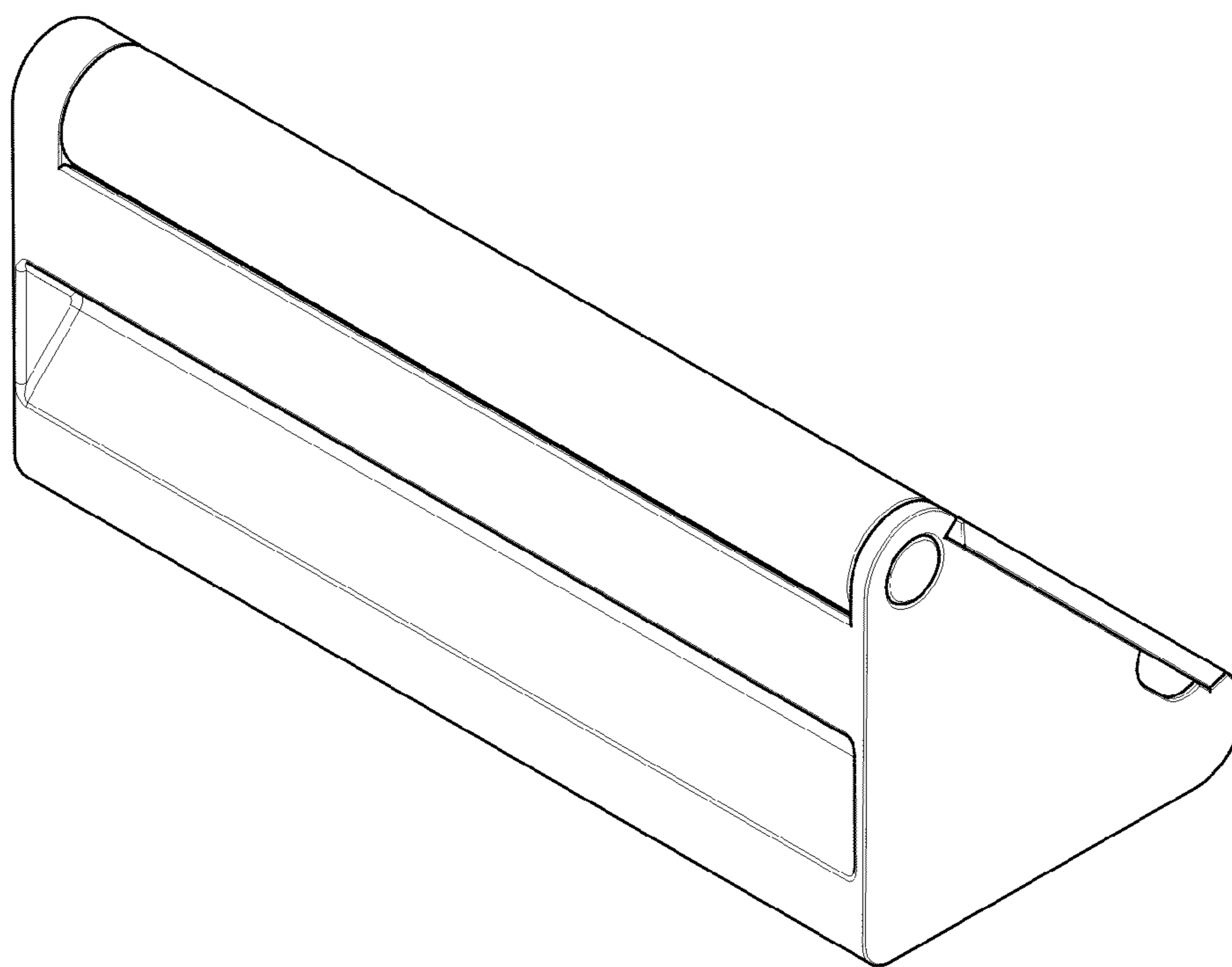


FIG. 8

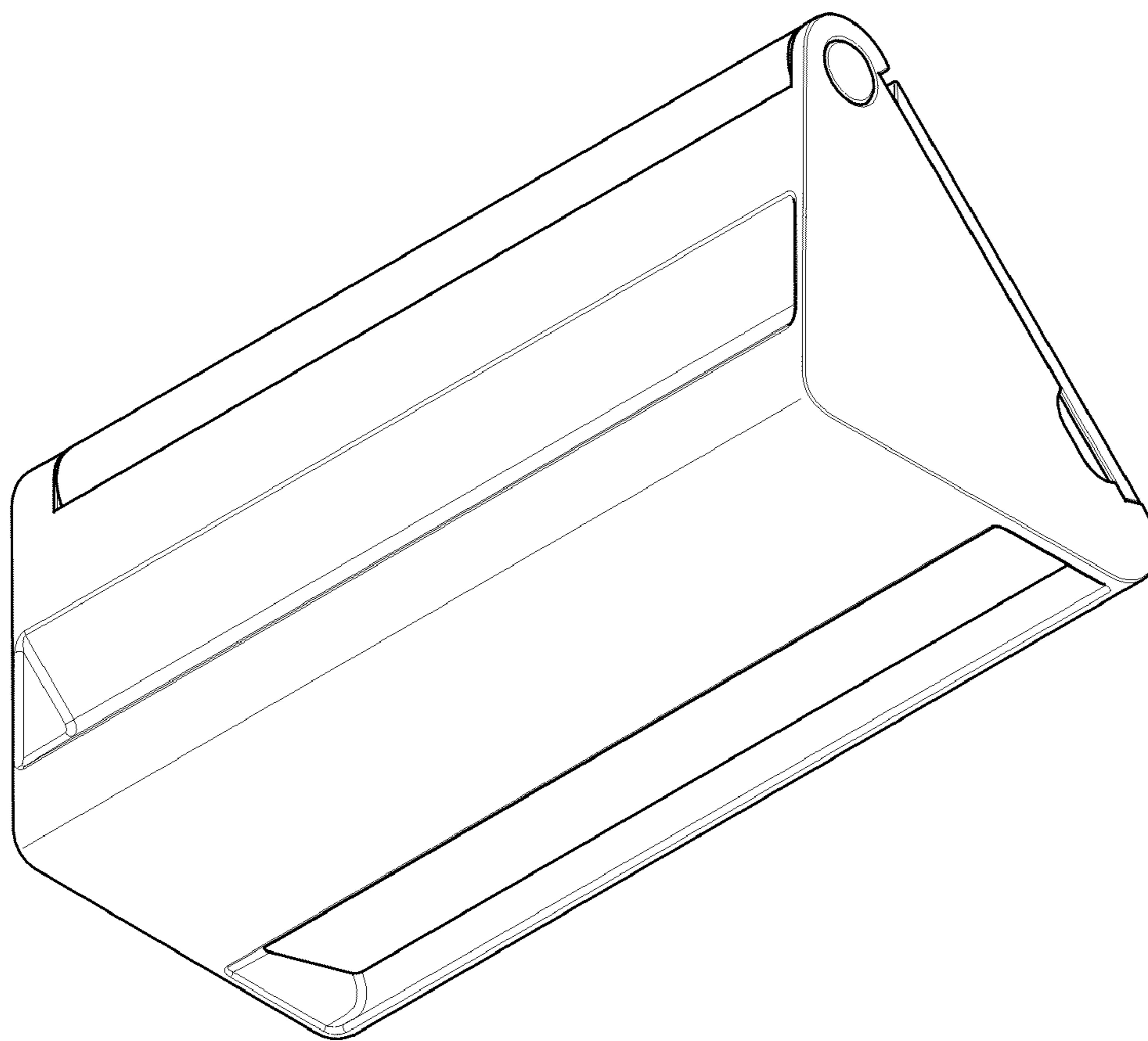


FIG. 9