



US00D647283S

(12) **United States Design Patent**
Sagnip et al.

(10) **Patent No.:** **US D647,283 S**

(45) **Date of Patent:** **** *Oct. 25, 2011**

(54) **PHYSICAL THERAPY VEST**

(75) Inventors: **Chad Beltran Sagnip**, Land O Lakes, FL (US); **Lynn Trimble**, Dallas, TX (US)

(73) Assignee: **Electrostim Medical Services, Inc.**, Tampa, FL (US)

(**) Term: **14 Years**

(21) Appl. No.: **29/382,125**

(22) Filed: **Dec. 29, 2010**

Related U.S. Application Data

(63) Continuation-in-part of application No. 29/351,176, filed on Dec. 1, 2009, now Pat. No. Des. 631,231.

(51) **LOC (9) Cl.** **02-02**

(52) **U.S. Cl.** **D2/829**

(58) **Field of Classification Search** D2/728, D2/739, 749-751, 755, 828, 829; 2/102, 2/108, 115; D24/188, 190

See application file for complete search history.

(56) **References Cited**

U.S. PATENT DOCUMENTS

4,572,197	A *	2/1986	Moore et al.	600/389
5,398,340	A *	3/1995	Kibbee	2/2.5
D356,883	S *	4/1995	Ganahl	D2/830
5,694,651	A *	12/1997	Thomas	2/69
6,035,453	A *	3/2000	Cain	2/462
6,282,718	B1 *	9/2001	Drakford	2/70
6,625,814	B1 *	9/2003	Veh	2/102
7,072,721	B1 *	7/2006	Trent	607/149
7,093,301	B1 *	8/2006	Moore, Jr.	2/2.5
7,490,361	B1 *	2/2009	Floyd	2/94

FOREIGN PATENT DOCUMENTS

JP 2004105674 4/2004

OTHER PUBLICATIONS

Google Image Search. website unknown "Not Found"; Date Unknown: Viewed May 2011. Cystic Fibrosis Vest.*
U.S. Appl. No. 29/351,176, mail date Jun. 9, 2010, Office Action.
U.S. Appl. No. 29/351,176, mail date Sep. 17, 2010, Notice of Allowance.

U.S. Appl. No. 29/351,176, mail date Jan. 5, 2011, Issue Notice.

* cited by examiner

Primary Examiner — Ian Simmons

Assistant Examiner — Rashida Johnson

(74) *Attorney, Agent, or Firm* — Workman Nydegger

(57) **CLAIM**

The ornamental design for a physical therapy vest, as shown and described.

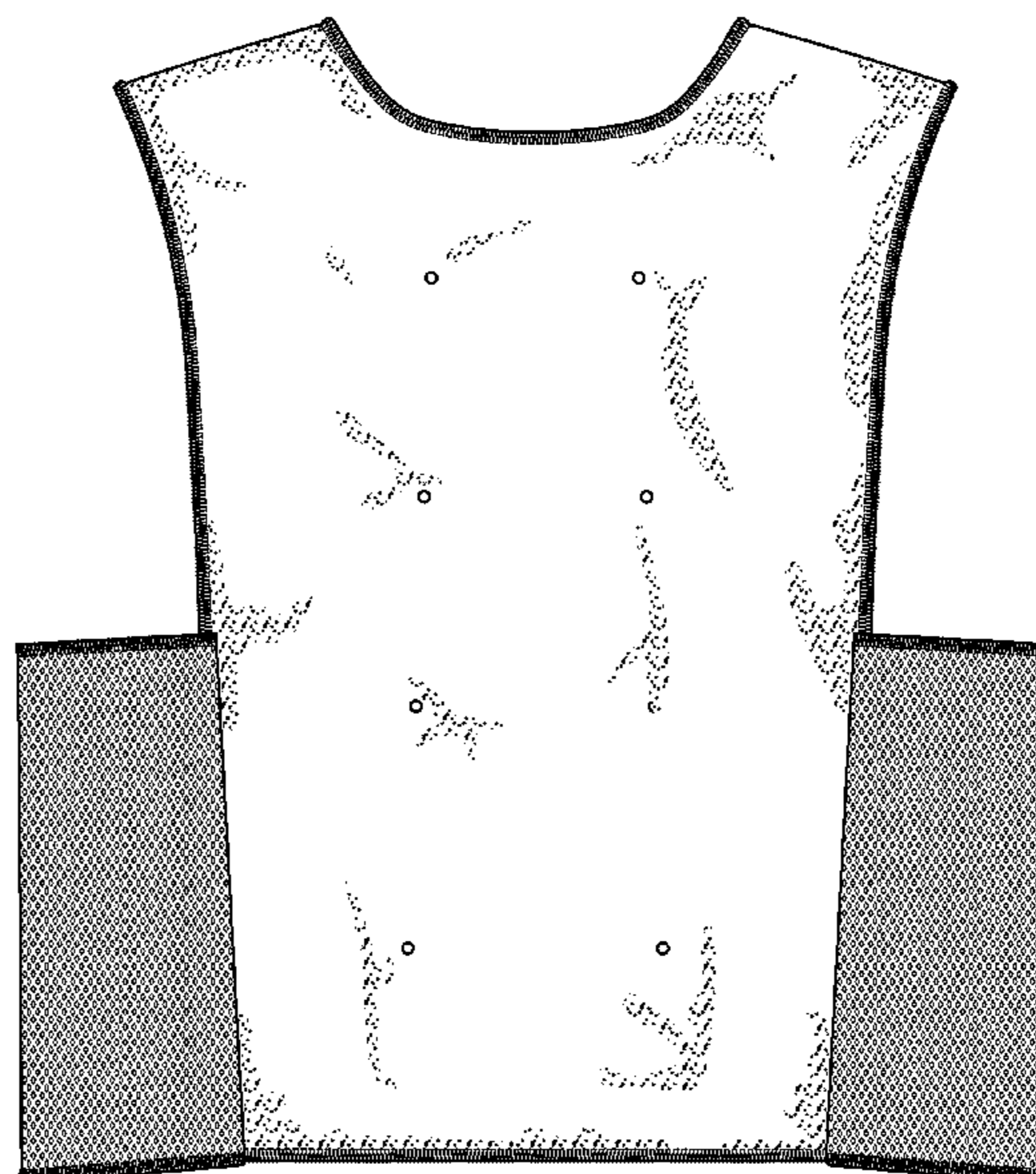
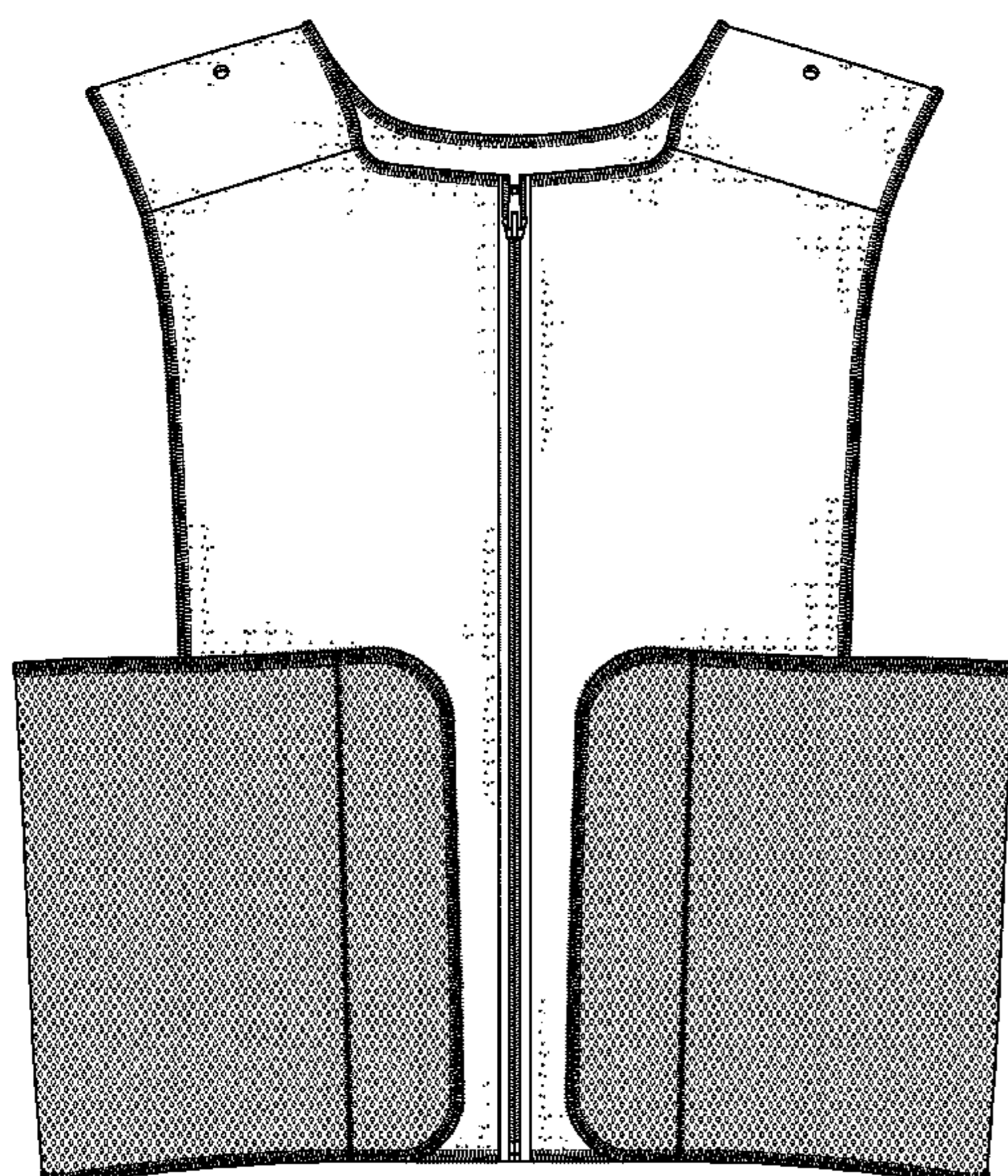
DESCRIPTION

FIG. 1 is a left perspective view of a physical therapy vest; FIG. 2 is a right perspective view of the vest of FIG. 1; FIG. 3 is a front view of the vest of FIG. 1; FIG. 4 is a rear view of the vest of FIG. 1; FIG. 5 is a right side view of the vest of FIG. 1, the opposing side being the mirror image thereof; FIG. 6 is a top end view of the vest of FIG. 1; FIG. 7 is a bottom end view of the vest of FIG. 1; FIG. 8 is a right perspective view of an alternative embodiment of a physical therapy vest of the present invention; FIG. 9 is a front view of the vest of FIG. 8; FIG. 10 is a rear view of the vest of FIG. 8; and, FIG. 11 is a bottom view of the vest of FIG. 8.

The right side view of the vest of FIG. 8 is shown in FIG. 5, the left side view being the mirror image thereof. The top view of the vest of FIG. 8 is shown in FIG. 6.

The phantom, broken lines shown are shown for illustrative purposes only and form no part of the claimed design.

1 Claim, 11 Drawing Sheets



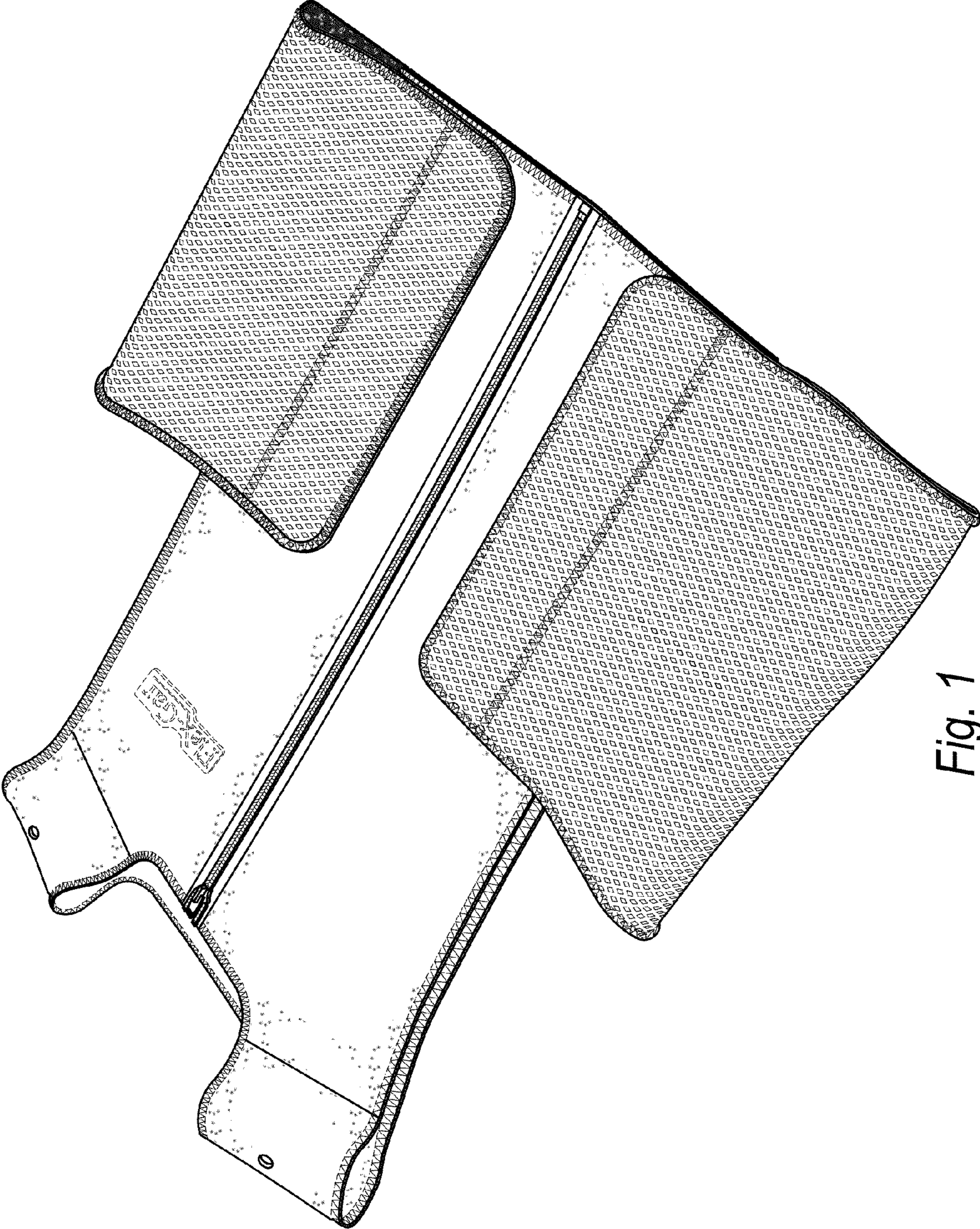


Fig. 1

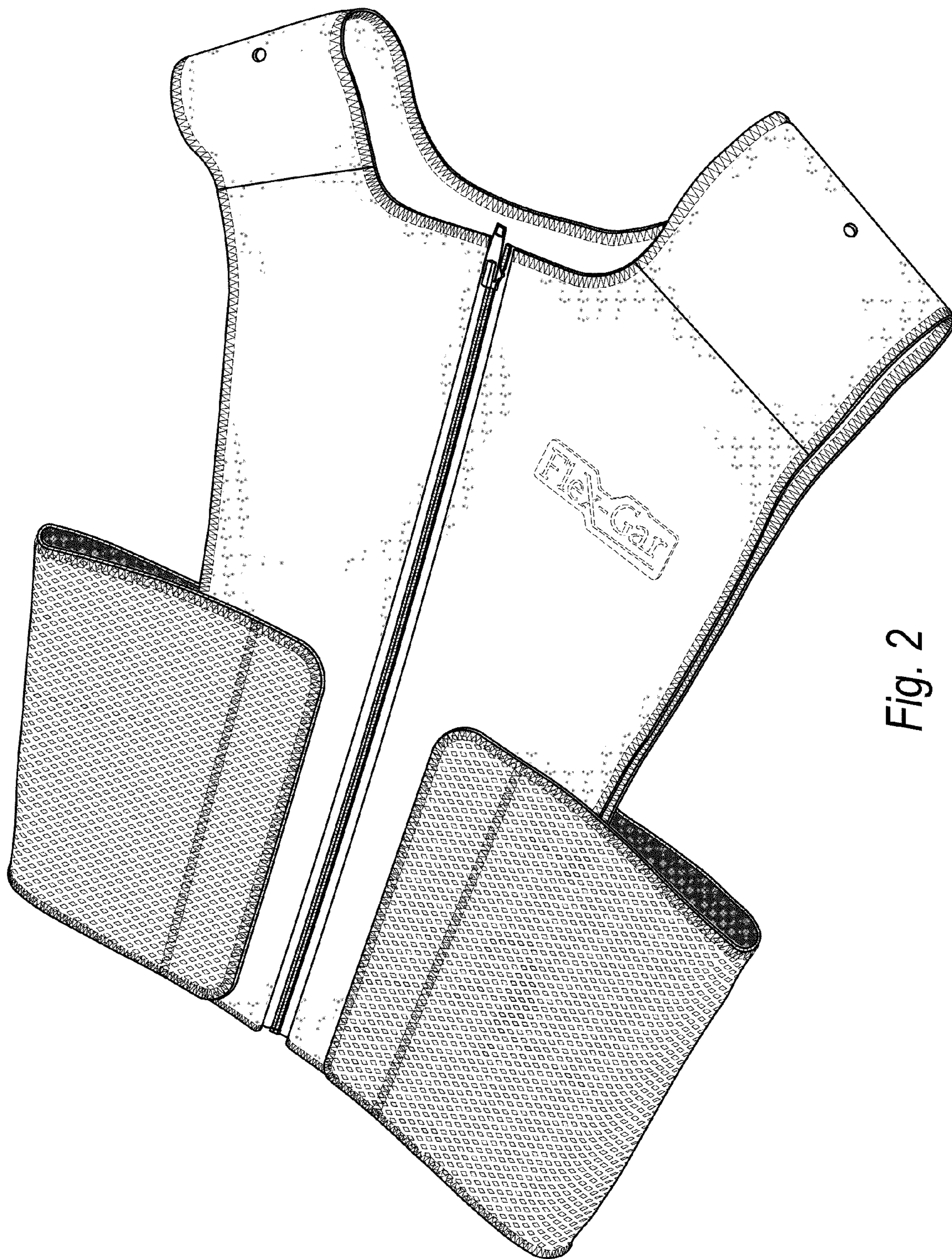


Fig. 2

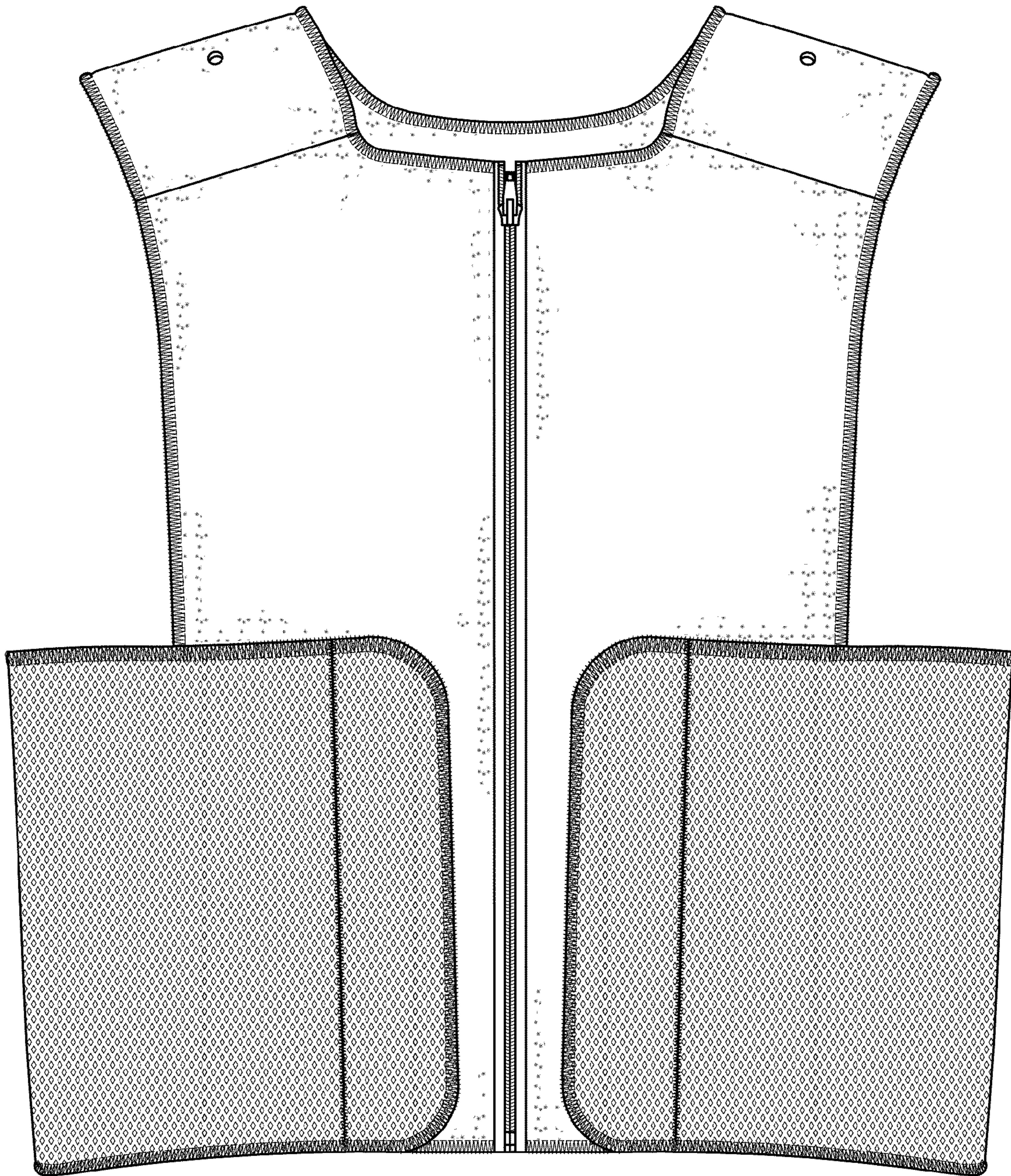


Fig. 3

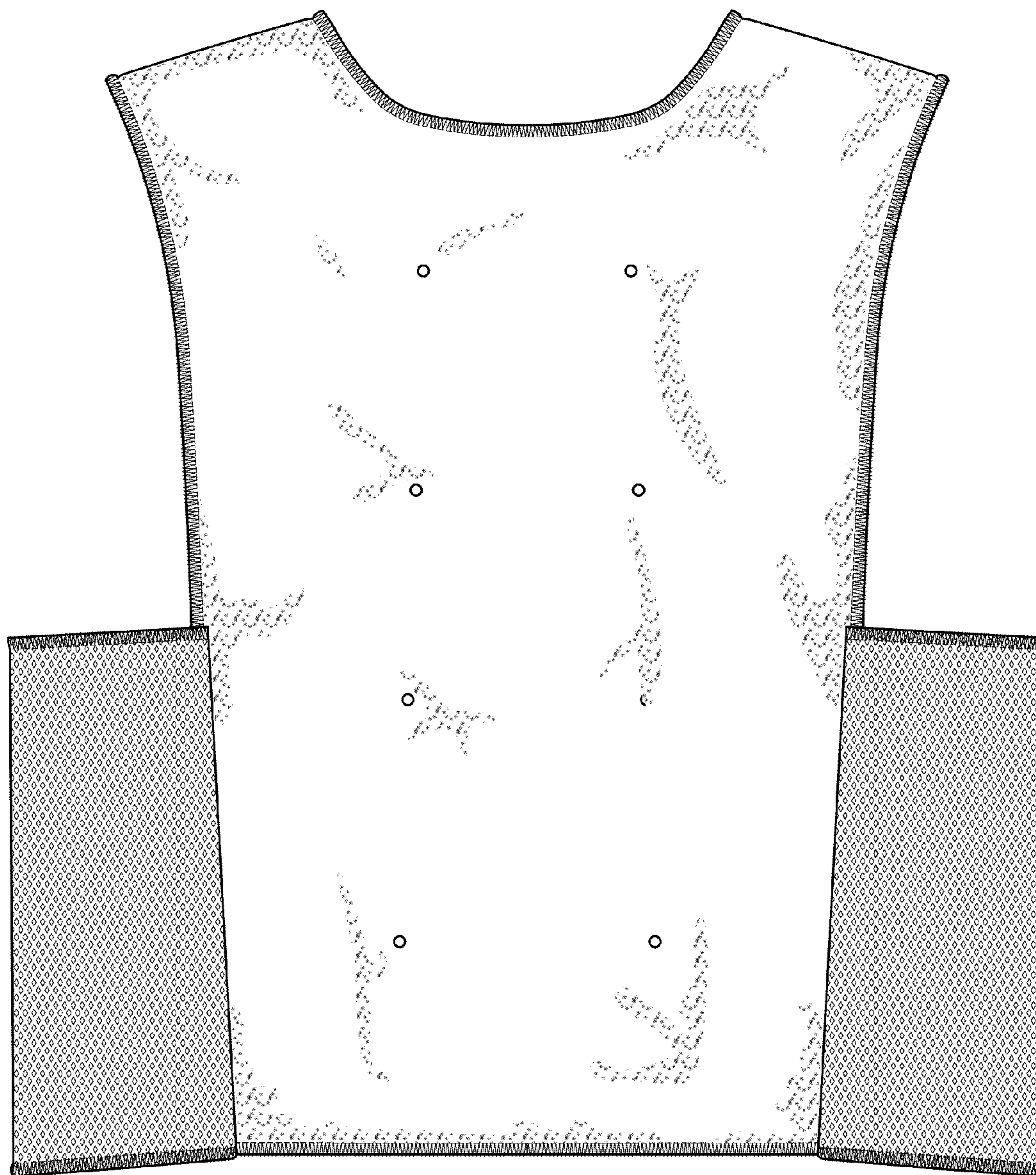


Fig. 4

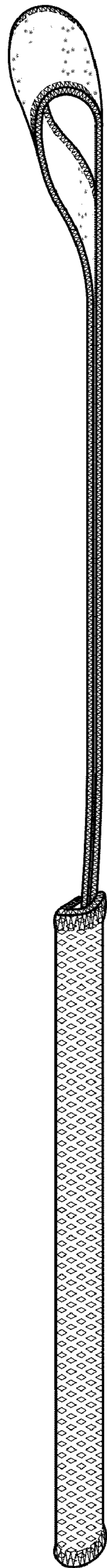


Fig. 5

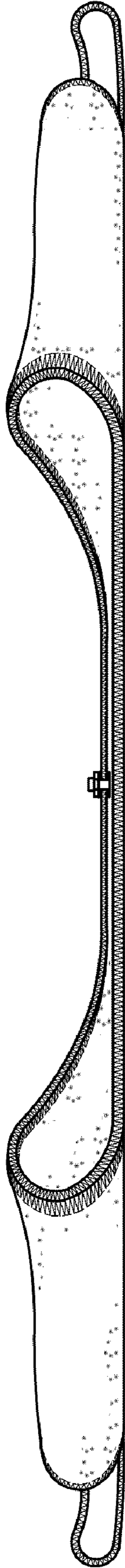


Fig. 6

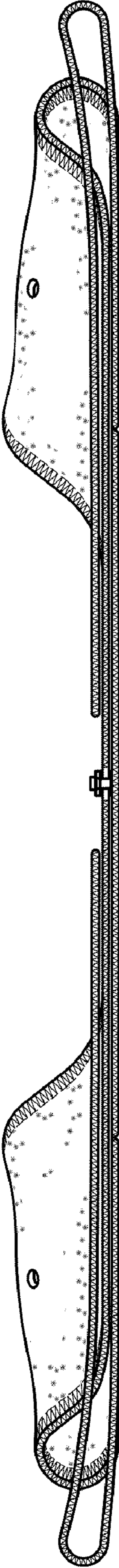


Fig. 7

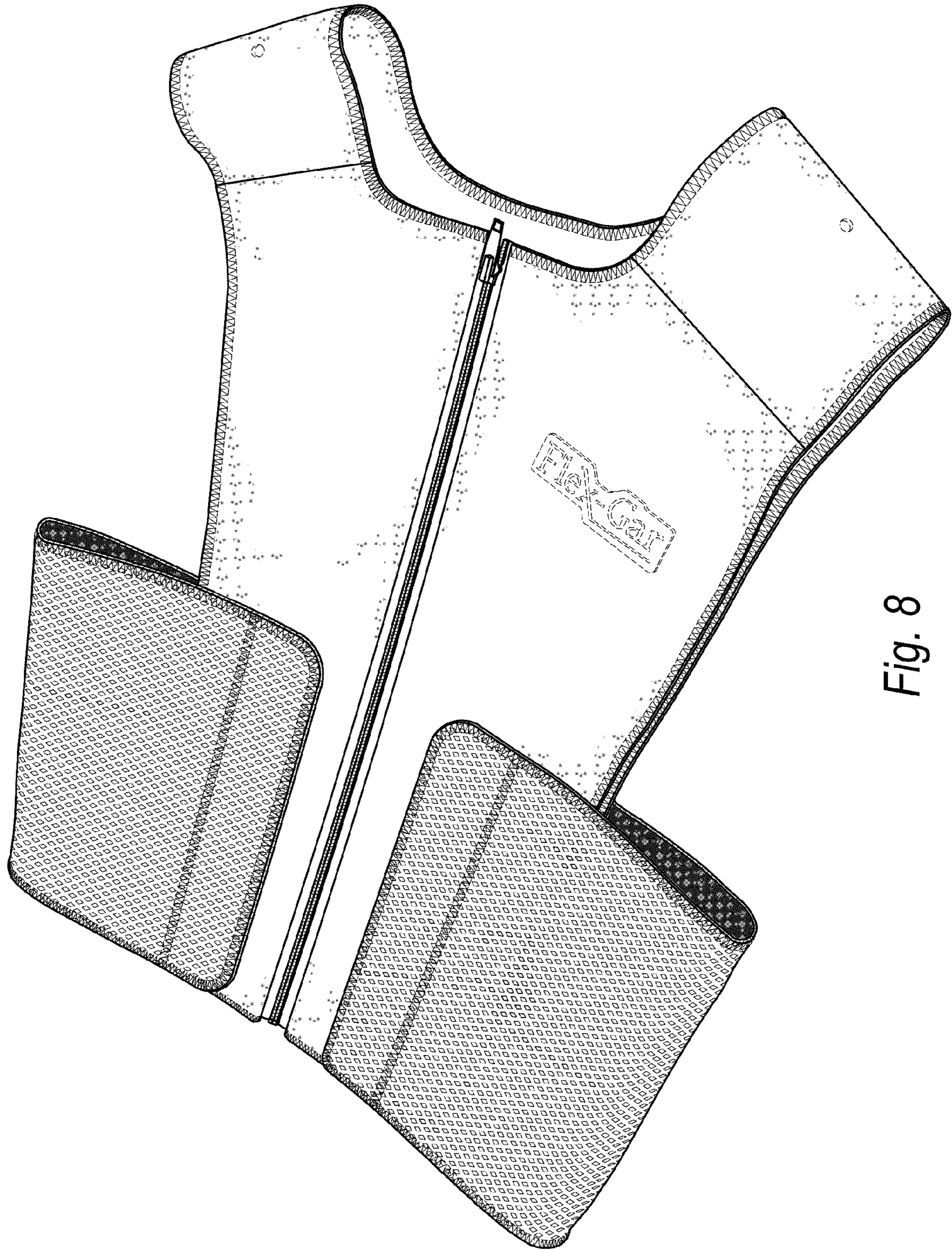


Fig. 8

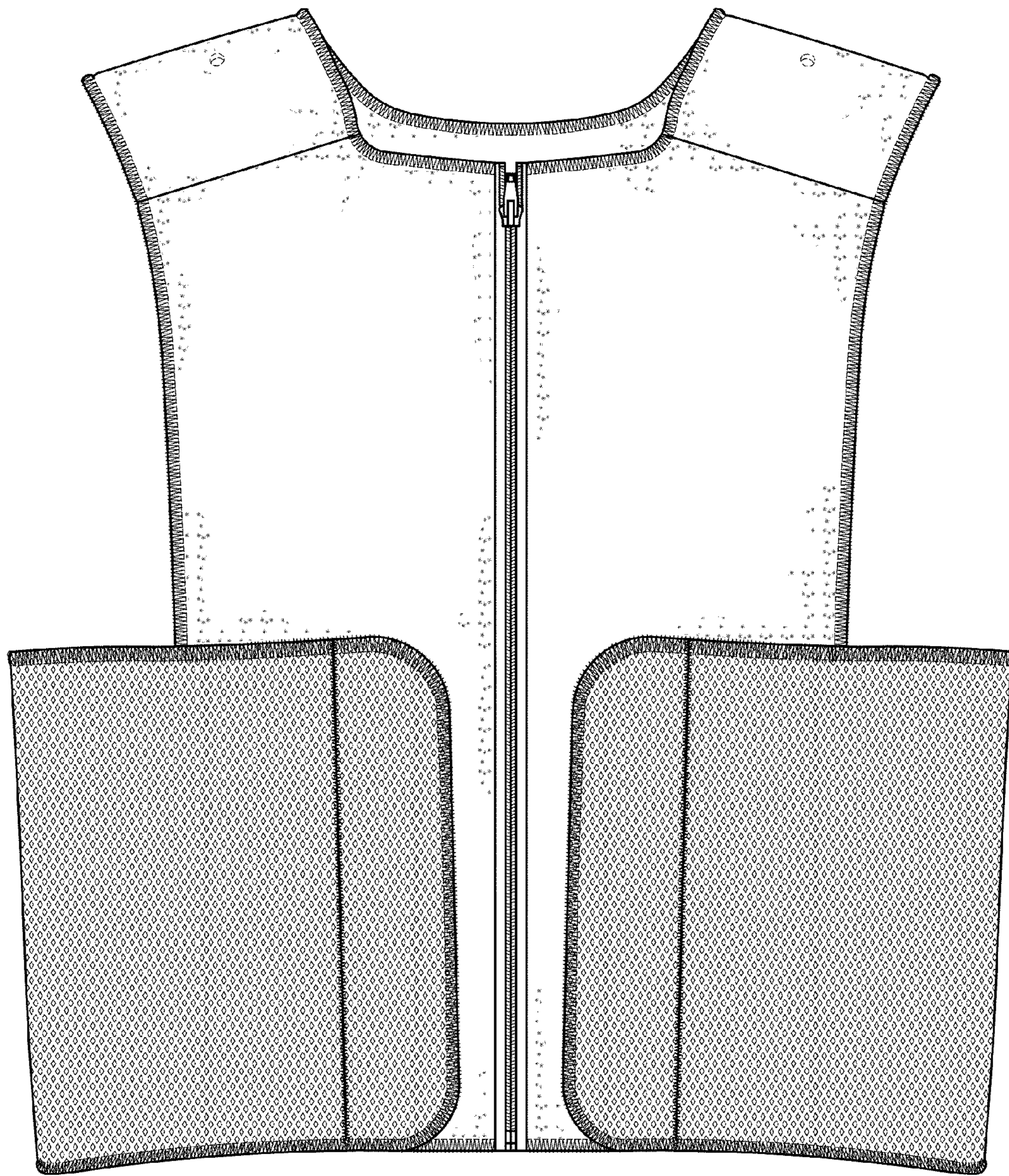


Fig. 9

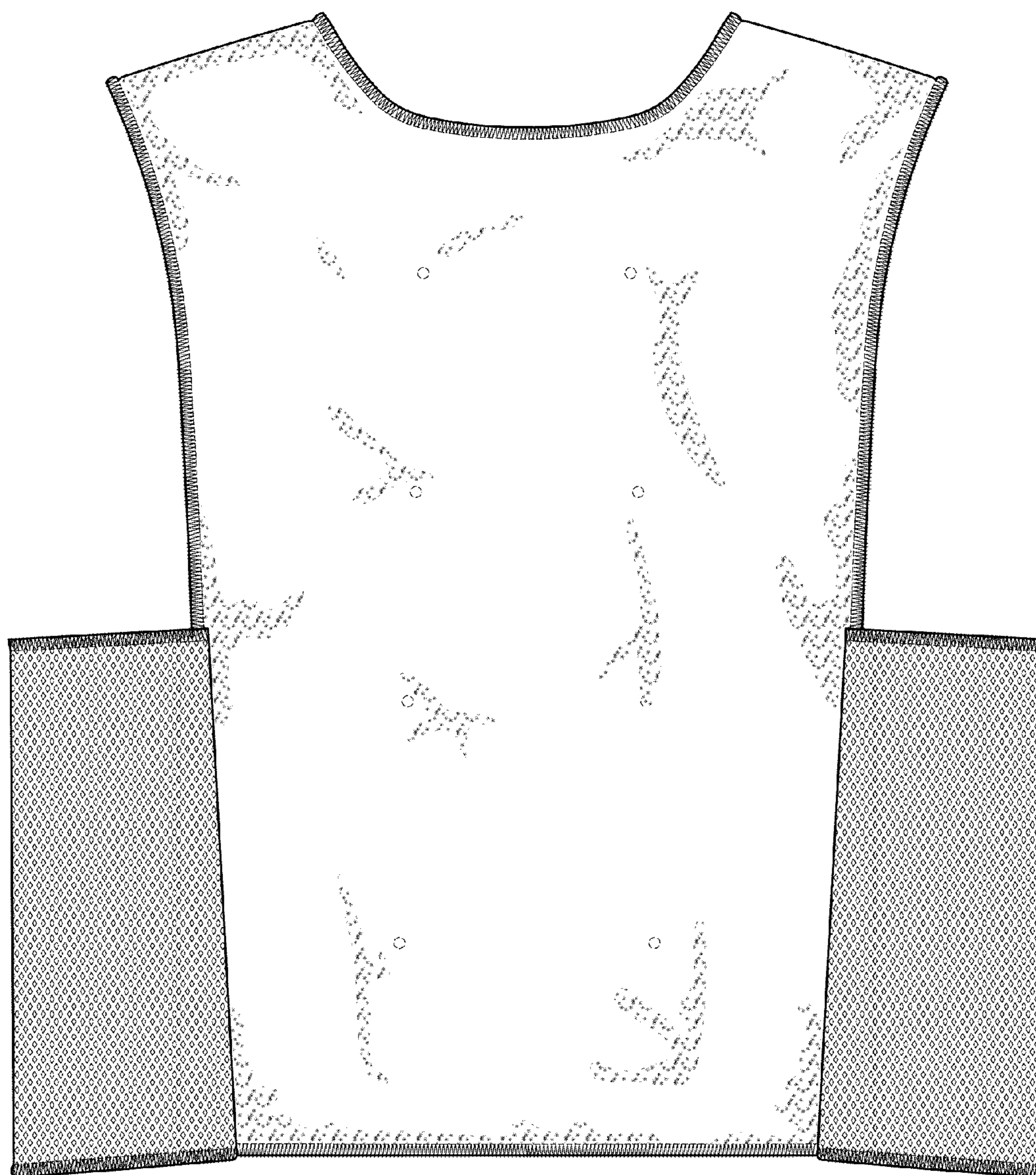


Fig. 10

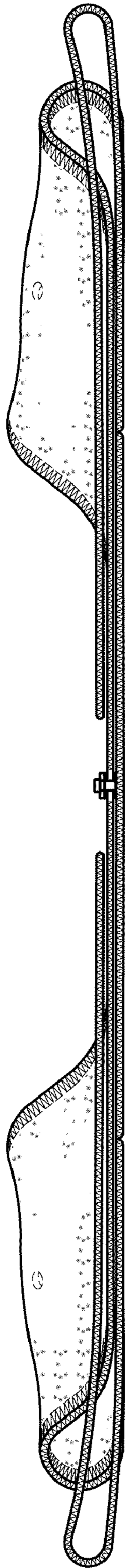


Fig. 11