



US00D647279S

(12) **United States Design Patent**  
**Shi et al.**

(10) **Patent No.:** **US D647,279 S**

(45) **Date of Patent:** **\*\* Oct. 25, 2011**

(54) **WAIST BELT FOR HOLDING A BATTERY FOR RECHARGING ELECTRONIC DEVICES**

(75) Inventors: **Zheng Shi**, Shenzhen (CN); **Jiang-Feng Liu**, Shenzhen (CN)

(73) Assignee: **FIH (Hong Kong) Limited**, Kowloon (HK)

(\*\*) Term: **14 Years**

(21) Appl. No.: **29/385,279**

(22) Filed: **Feb. 11, 2011**

(51) **LOC (9) Cl.** ..... **02-07**

(52) **U.S. Cl.** ..... **D2/629**

(58) **Field of Classification Search** ..... D2/624, D2/627-638; 2/311-314, 321-322, 338; D3/207, 215; 224/666, 673

See application file for complete search history.

(56) **References Cited**

U.S. PATENT DOCUMENTS

603,974	A *	5/1898	Scheuber	.....	224/163
837,824	A *	12/1906	Gibson	.....	224/666
1,434,854	A *	11/1922	Stall	.....	2/171
2,714,479	A *	8/1955	Zeitzew	.....	224/673
D262,455	S *	12/1981	Bulmash et al.	.....	D14/192
D267,597	S *	1/1983	Carter	.....	D2/629
D308,910	S *	7/1990	Chang	.....	D2/627
D338,997	S *	9/1993	Greco	.....	D2/627
D397,838	S *	9/1998	Waggoner et al.	.....	D2/629

D433,227	S *	11/2000	Evans	.....	D3/218
6,189,154	B1 *	2/2001	Ducharme	.....	2/338
D527,166	S *	8/2006	Hoeksema	.....	D2/627
D529,896	S *	10/2006	Anderson et al.	.....	D14/189

\* cited by examiner

*Primary Examiner* — T. Chase Nelson

*Assistant Examiner* — Kathleen M Sims

(74) *Attorney, Agent, or Firm* — Altis Law Group, Inc.

(57) **CLAIM**

The ornamental design for a waist belt for holding a battery for recharging electronic devices, as shown and described.

**DESCRIPTION**

FIG. 1 is a perspective view of a waist belt for holding a battery for recharging electronic devices showing our new design;

FIG. 2 is a front elevational view thereof;

FIG. 3 is a rear elevational view thereof;

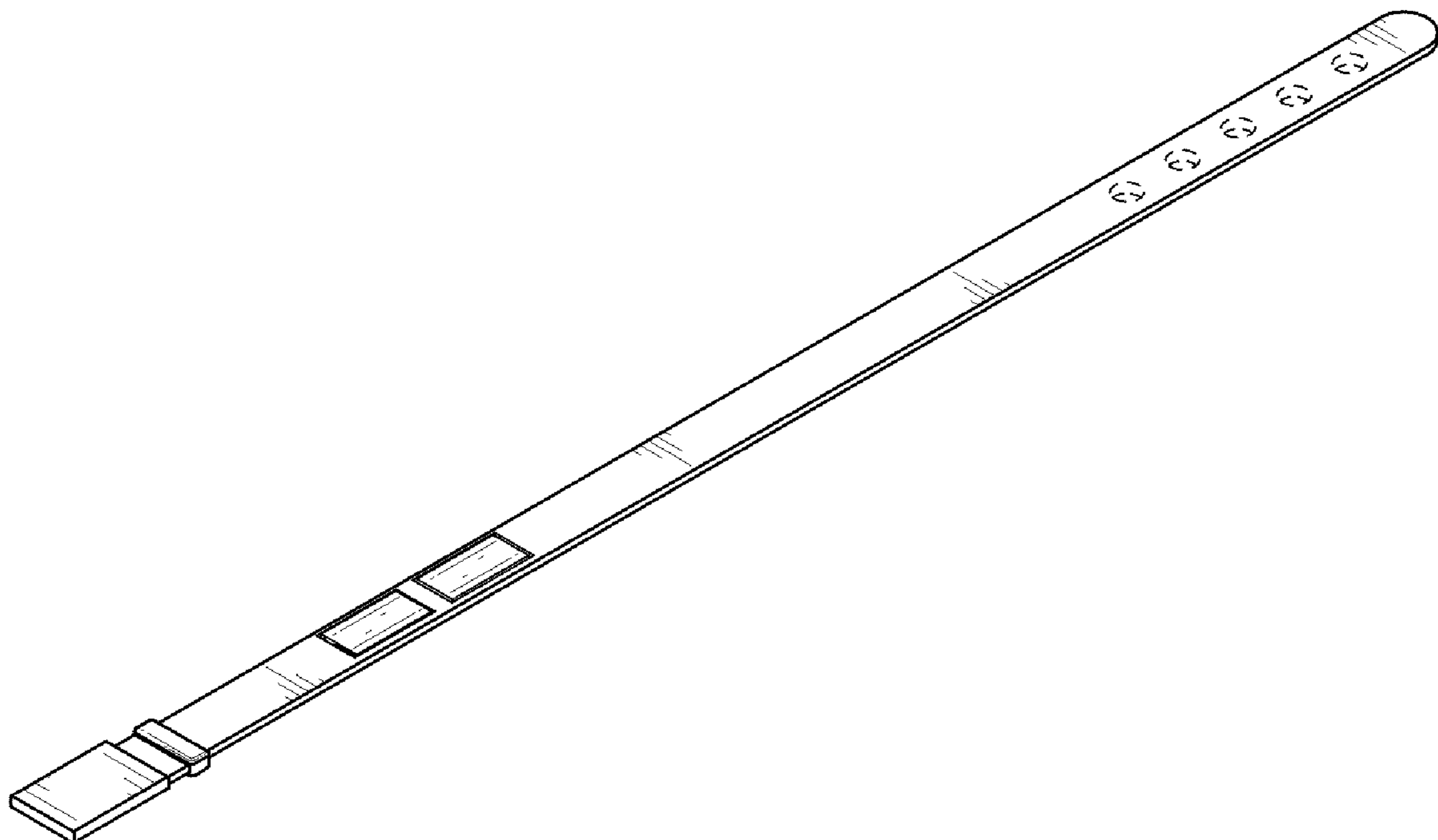
FIG. 4 is a top plan view thereof;

FIG. 5 is a bottom plan view thereof; and,

FIG. 6 is a perspective view of the waist belt for holding a battery for recharging electronic devices of FIG. 1 shown in another configuration.

The broken lines immediately adjacent the claimed areas represent the bounds of the claimed design while all other broken lines are directed to environment and are for illustrative purposes only; the broken lines form no part of the claimed design.

**1 Claim, 6 Drawing Sheets**



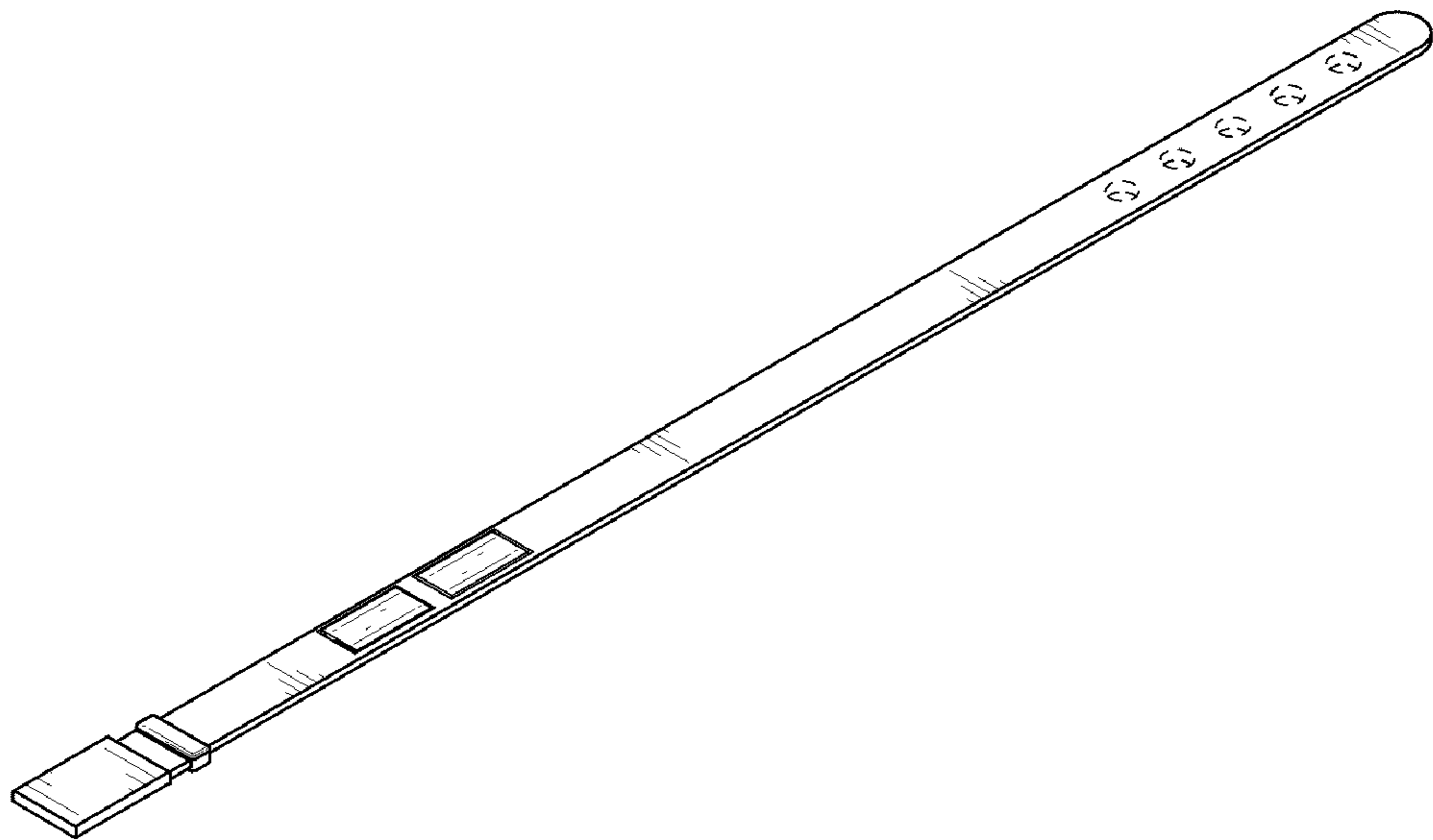


FIG. 1

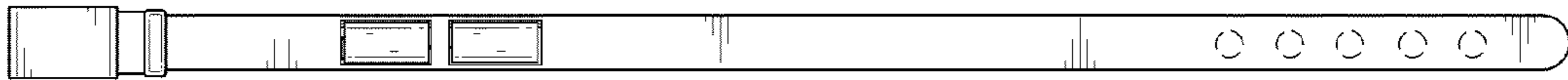


FIG. 2

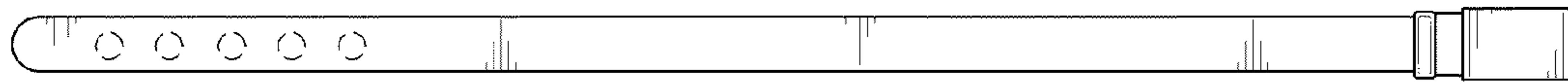


FIG. 3

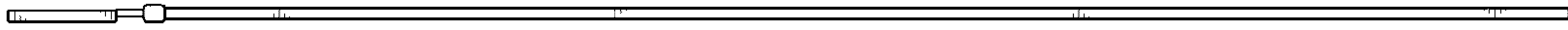


FIG. 4

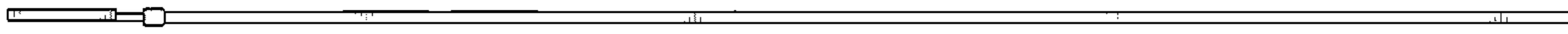


FIG. 5

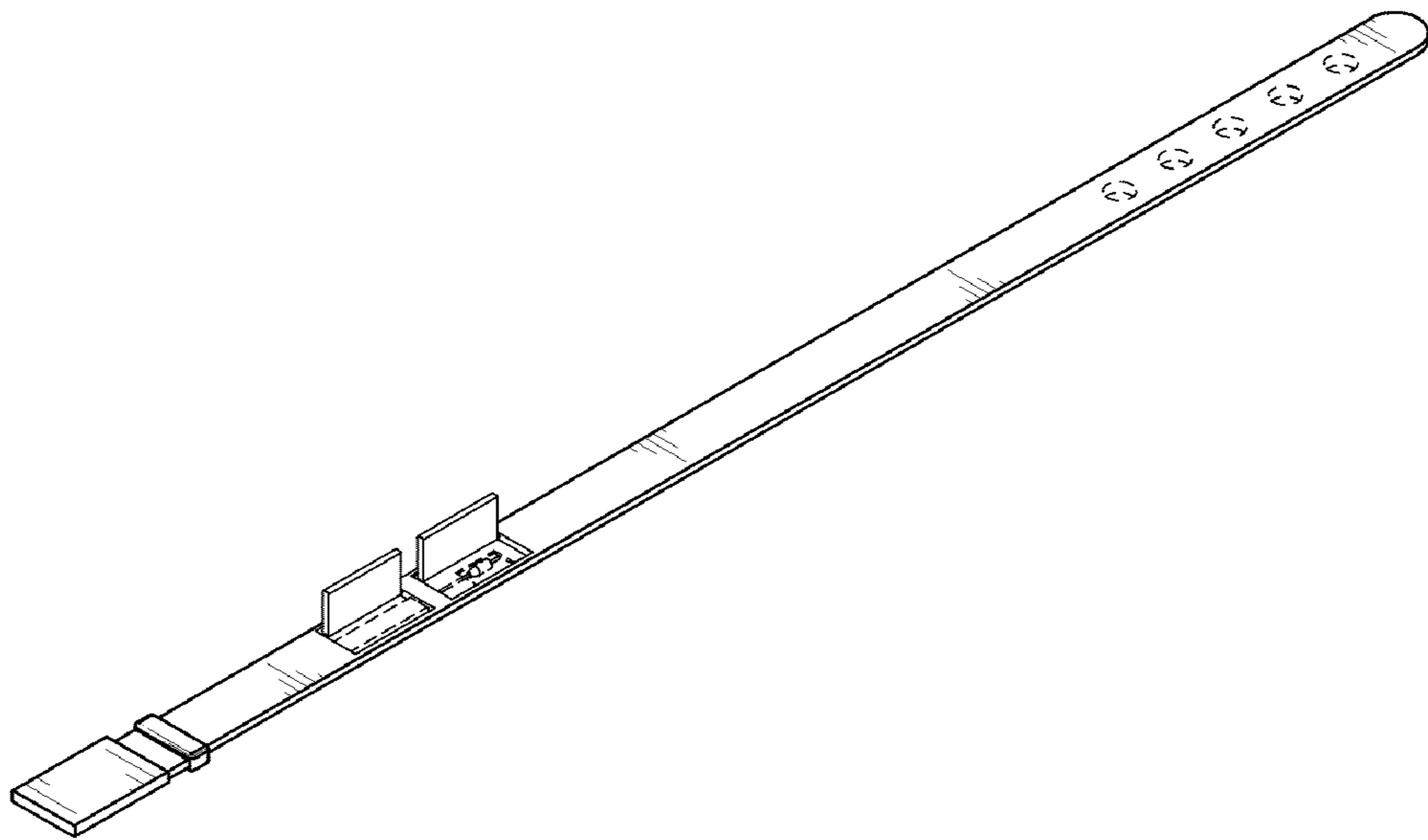


FIG. 6