



US00D647277S

(12) **United States Design Patent**
Bruyea et al.

(10) **Patent No.:** **US D647,277 S**

(45) **Date of Patent:** **** *Oct. 25, 2011**

(54) **CONFECTIONARY**

(75) Inventors: **David Bruyea**, Toronto (CA); **Hugh Calvert**, Aurora, IL (US); **Martin Cervenka**, Chicago, IL (US); **Wendy Lau**, Chicago, IL (US); **Ronald L. Ream**, Plano, IL (US); **Christopher Rowe**, Barrington, IL (US); **Dennis Rybolt**, Beecher, IL (US); **Henry Valdez**, St. Charles, IL (US)

(73) Assignee: **Wm. Wrigley Jr. Company**, Chicago, IL (US)

(*) Notice: This patent is subject to a terminal disclaimer.

(**) Term: **14 Years**

(21) Appl. No.: **29/378,038**

(22) Filed: **Oct. 28, 2010**

(51) **LOC (9) Cl.** **01-01**

(52) **U.S. Cl.** **D1/127**

(58) **Field of Classification Search** D1/101-199;
D24/101-104; 426/3, 5, 87, 89, 92, 103,
426/104, 129, 138, 144, 249, 660, 383, 512,
426/516, 808; D21/386, 499; 424/467; D25/113,
D25/119, 121

See application file for complete search history.

(56) **References Cited**

U.S. PATENT DOCUMENTS

D33,480 S *	10/1900	Meeker	D25/157
D34,052 S *	2/1901	Simon	D1/121
810,210 A	1/1906	Laws		
1,855,145 A	12/1926	Jones		
1,836,604 A *	12/1931	Meyer	127/30
D90,688 S *	9/1933	Sherrill	D1/121
D99,993 S *	6/1936	Brooks	D1/121
D101,634 S *	10/1936	Iannone	D25/113
D137,301 S *	2/1944	Willems	D1/103

2,386,416 A *	10/1945	Wilhelm	206/539
2,440,936 A *	5/1948	Elmendorf et al.	52/483.1
D271,439 S	11/1983	Schumacker		
D271,534 S	11/1983	Huzinee		
D397,270 S *	8/1998	Maalouf	D6/601
D408,818 S *	4/1999	Klayman	D14/213
6,039,995 A *	3/2000	Zamzow	426/518
D445,512 S *	7/2001	Sievert	D25/113
D478,706 S	8/2003	Cotten		
6,942,885 B2 *	9/2005	Ross et al.	426/94
7,112,345 B1 *	9/2006	McHale et al.	426/5
2007/0014889 A1	1/2007	McHale et al.		
2007/0160707 A1	7/2007	Garcia		

FOREIGN PATENT DOCUMENTS

WO 2003032744 A1 4/2003

OTHER PUBLICATIONS

Gum, Two Photos.
Striped Gum, Two Photos.

* cited by examiner

Primary Examiner — Cathron Brooks

Assistant Examiner — Barbara Fox

(74) *Attorney, Agent, or Firm* — Armstrong Teasdale LLP

(57) **CLAIM**

The ornamental design for a confectionary, as shown and described.

DESCRIPTION

FIG. 1 is perspective view of a confectionary in accordance with the present invention.

FIG. 2 is a top view of the confectionary shown in FIG. 1.

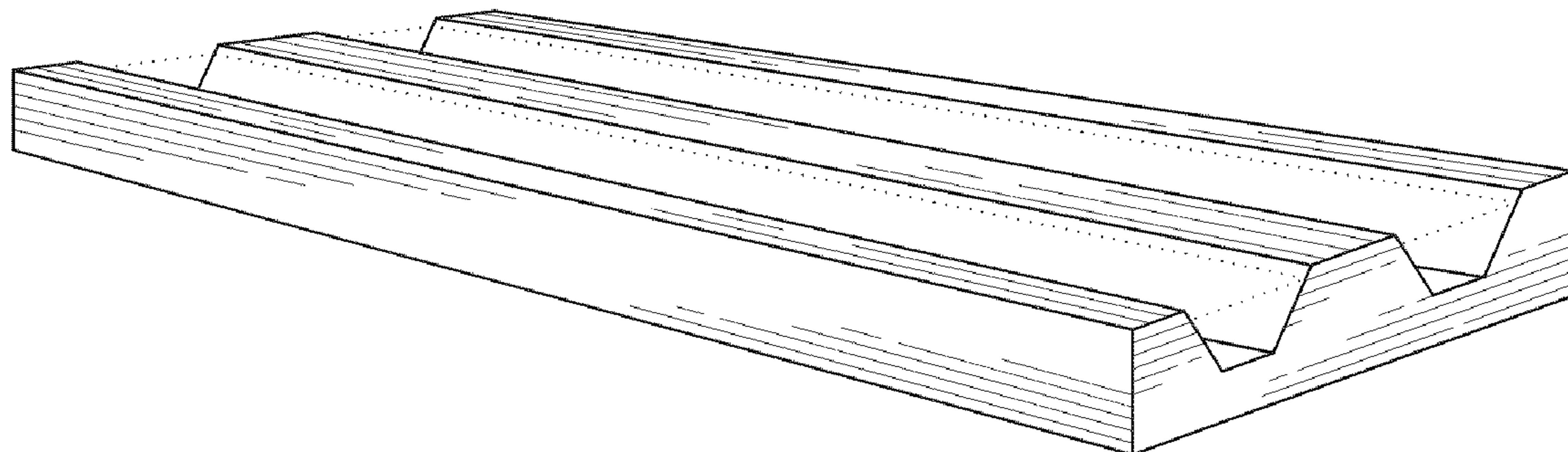
FIG. 3 is a right side view of the confectionary shown in FIG. 1, with the left side view being identical thereto.

FIG. 4 is a front view of the confectionary shown in FIG. 1, with the rear view being identical thereto; and,

FIG. 5 is a bottom view of the confectionary shown in FIG. 1.

The broken lines are included for the purpose of illustrating a filling that forms no part of the claimed design.

1 Claim, 1 Drawing Sheet



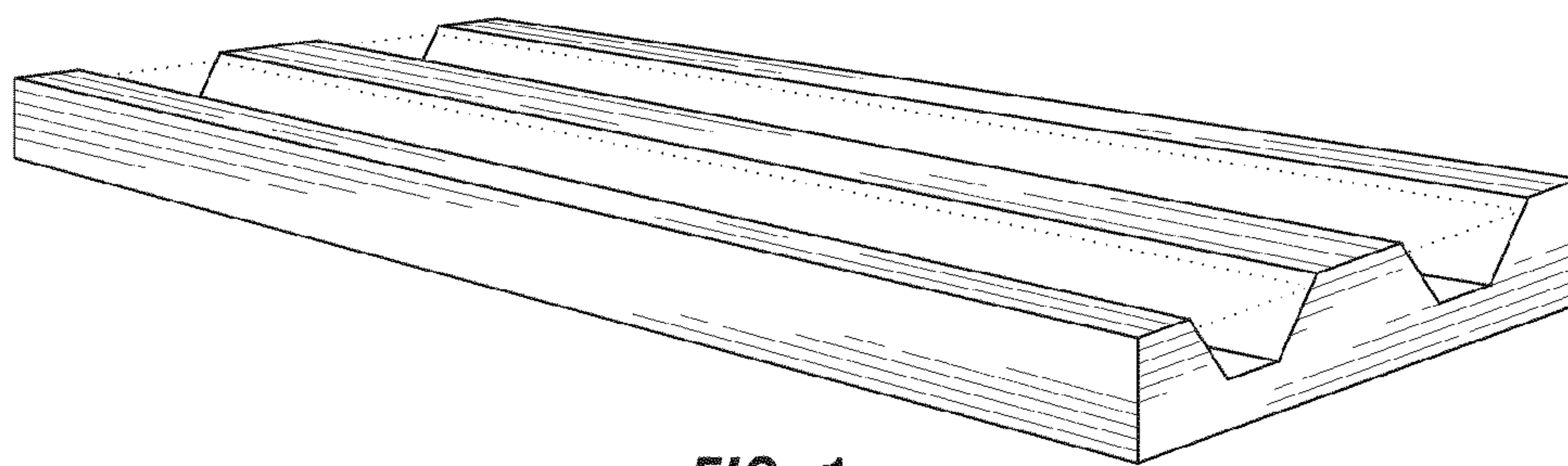


FIG. 1

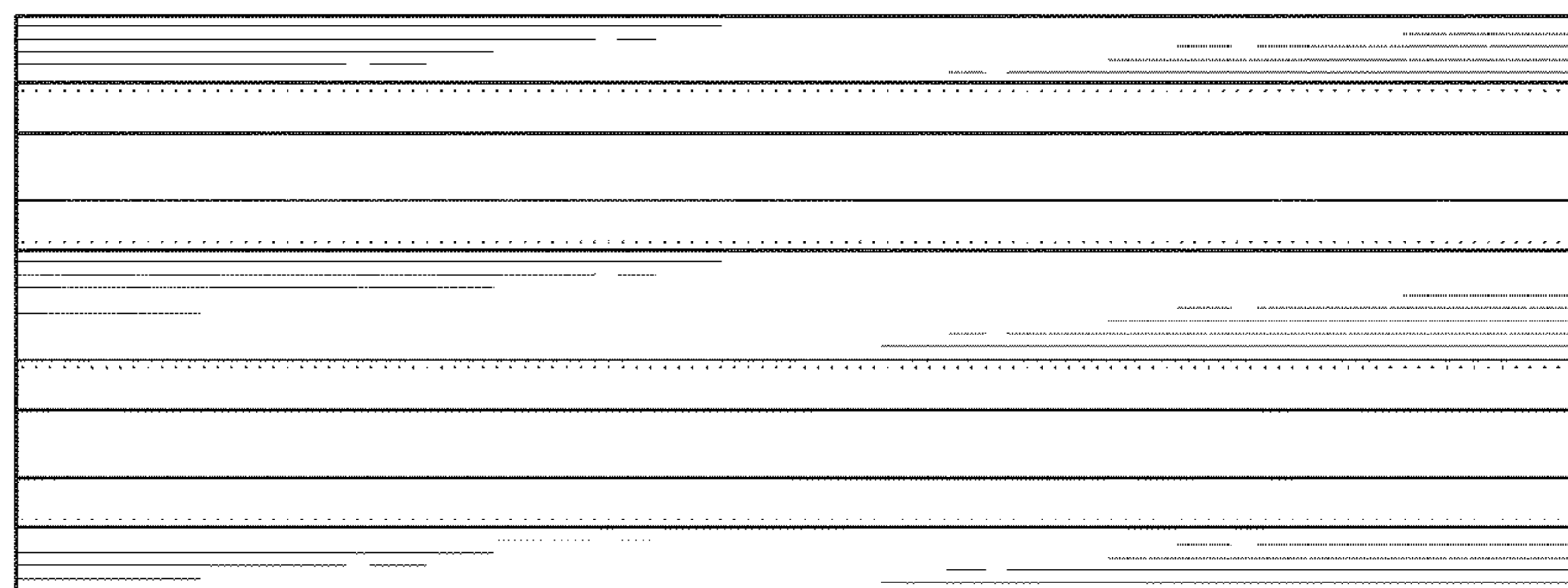


FIG. 2

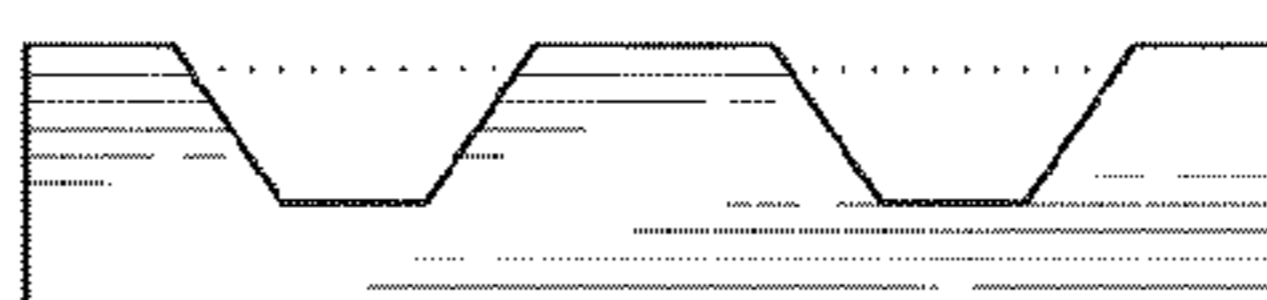


FIG. 3

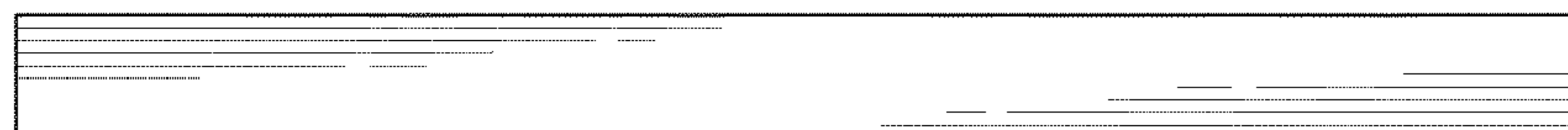


FIG. 4

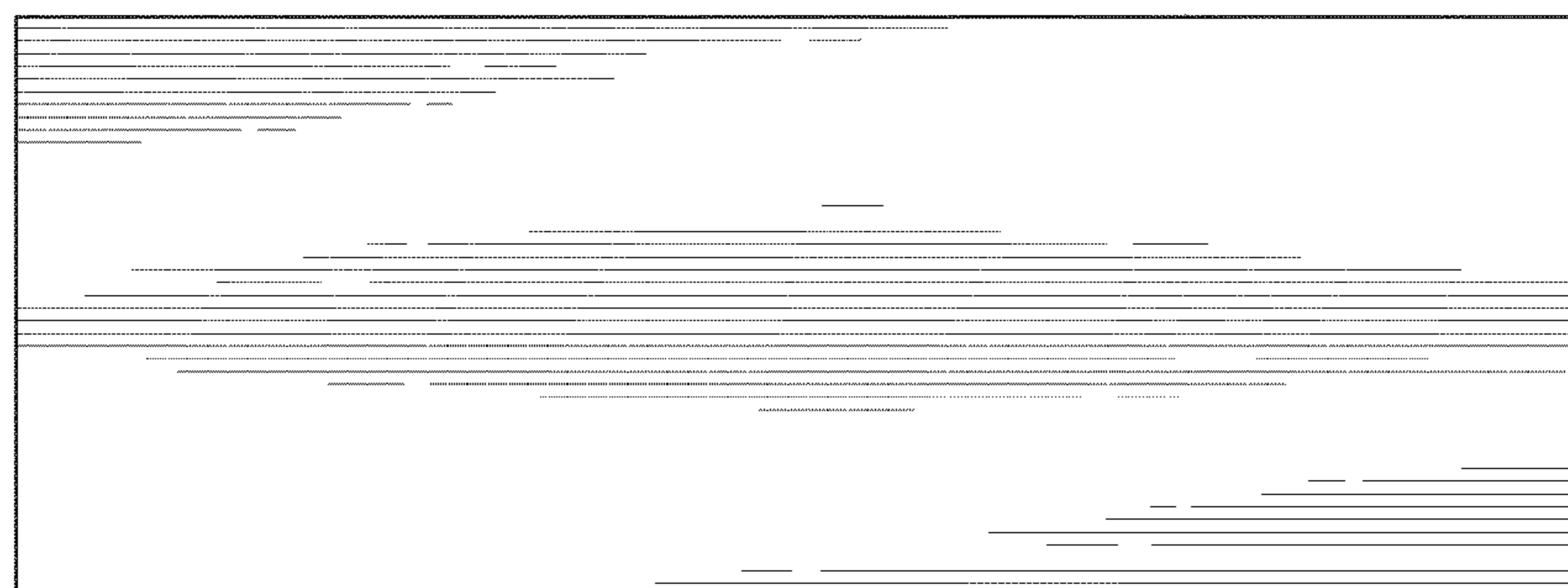


FIG. 5