



US00D647274S

(12) **United States Design Patent**  
**Sharp**

(10) **Patent No.:** **US D647,274 S**

(45) **Date of Patent:** **\*\* Oct. 18, 2011**

(54) **PRODUCT PROTECTOR**

(76) Inventor: **Geoff Sharp**, Visalia, CA (US)

(\*\*) Term: **14 Years**

(21) Appl. No.: **29/382,364**

(22) Filed: **Jan. 3, 2011**

(51) **LOC (9) Cl.** ..... **12-05**

(52) **U.S. Cl.** ..... **D34/35**

(58) **Field of Classification Search** ..... D34/34,  
D34/35, 28, 38; 414/785, 685, 679, 294;  
187/222, 224; 280/43.12; 180/89.12, 299,  
180/315

See application file for complete search history.

(56) **References Cited**

**U.S. PATENT DOCUMENTS**

2,668,602	A *	2/1954	Cusbman	.....	414/667
2,801,876	A *	8/1957	Palmer	.....	294/103.1
2,847,138	A *	8/1958	Backofen et al.	.....	414/785
2,975,924	A *	3/1961	Kopanski	.....	414/785
D249,663	S *	9/1978	Willett	.....	D34/35
D297,848	S *	9/1988	Burenga	.....	D15/32
4,903,418	A *	2/1990	Loudon	.....	37/301
5,087,167	A *	2/1992	Johnston	.....	414/668
D379,020	S *	4/1997	Avitan	.....	D34/34
D504,200	S *	4/2005	Swedish et al.	.....	D34/35

D535,805	S *	1/2007	Stark	.....	D34/34
D551,423	S *	9/2007	Kodama et al.	.....	D34/34
2009/0260924	A1 *	10/2009	Rice et al.	.....	187/238
2010/0101895	A1 *	4/2010	Collins et al.	.....	187/237
2011/0139546	A1 *	6/2011	Look	.....	187/237

\* cited by examiner

*Primary Examiner* — Cynthia Ramirez

(74) *Attorney, Agent, or Firm* — Maier & Maier, PLLC

(57) **CLAIM**

The ornamental design for a product protector, as shown and described.

**DESCRIPTION**

FIG. 1 is a front isometric view of a product protector, showing my design;

FIG. 2 is a rear isometric view thereof;

FIG. 3 is a front view thereof;

FIG. 4 is a rear view thereof;

FIG. 5 is a right side view thereof;

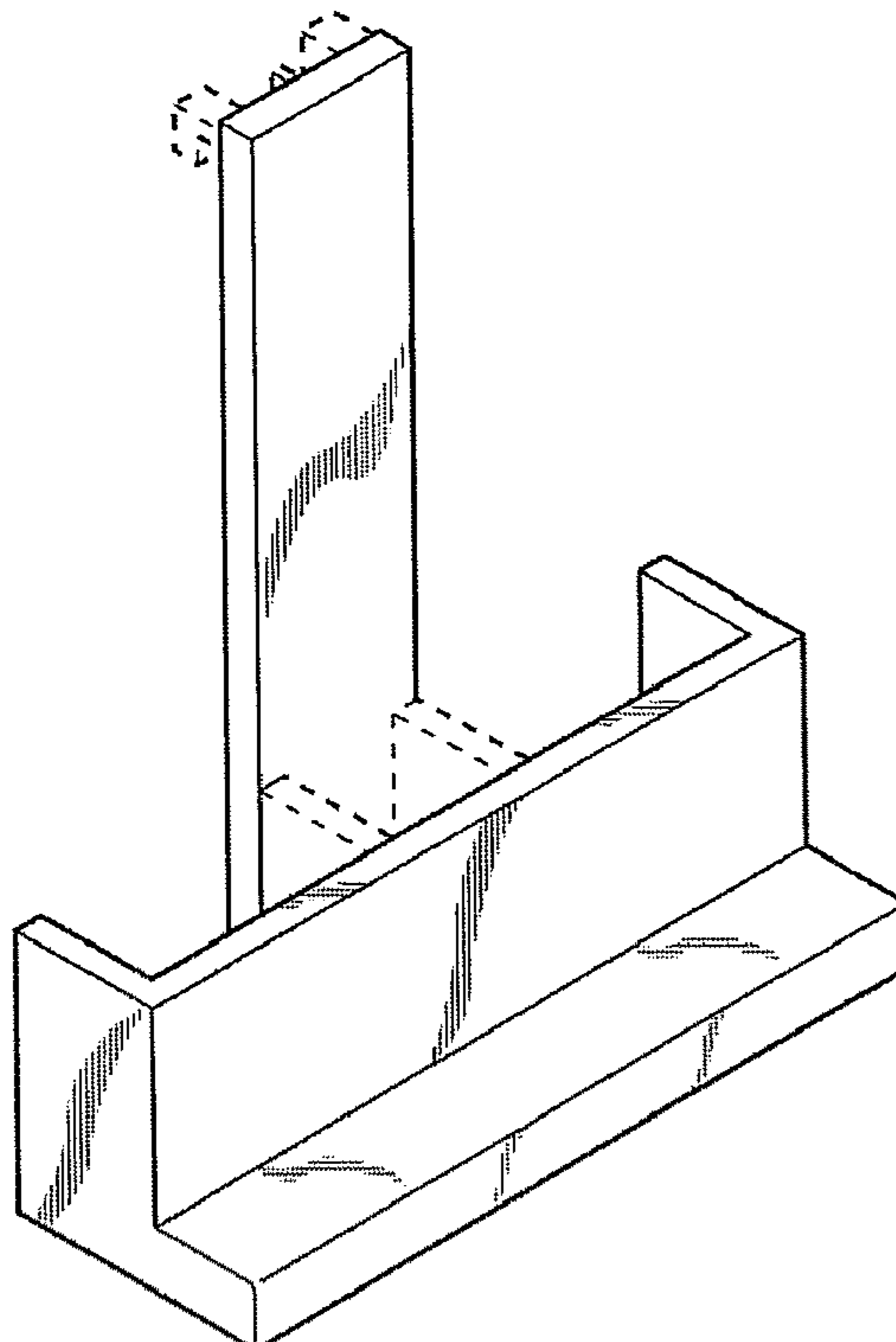
FIG. 6 is a left side view thereof;

FIG. 7 is a top view thereof; and,

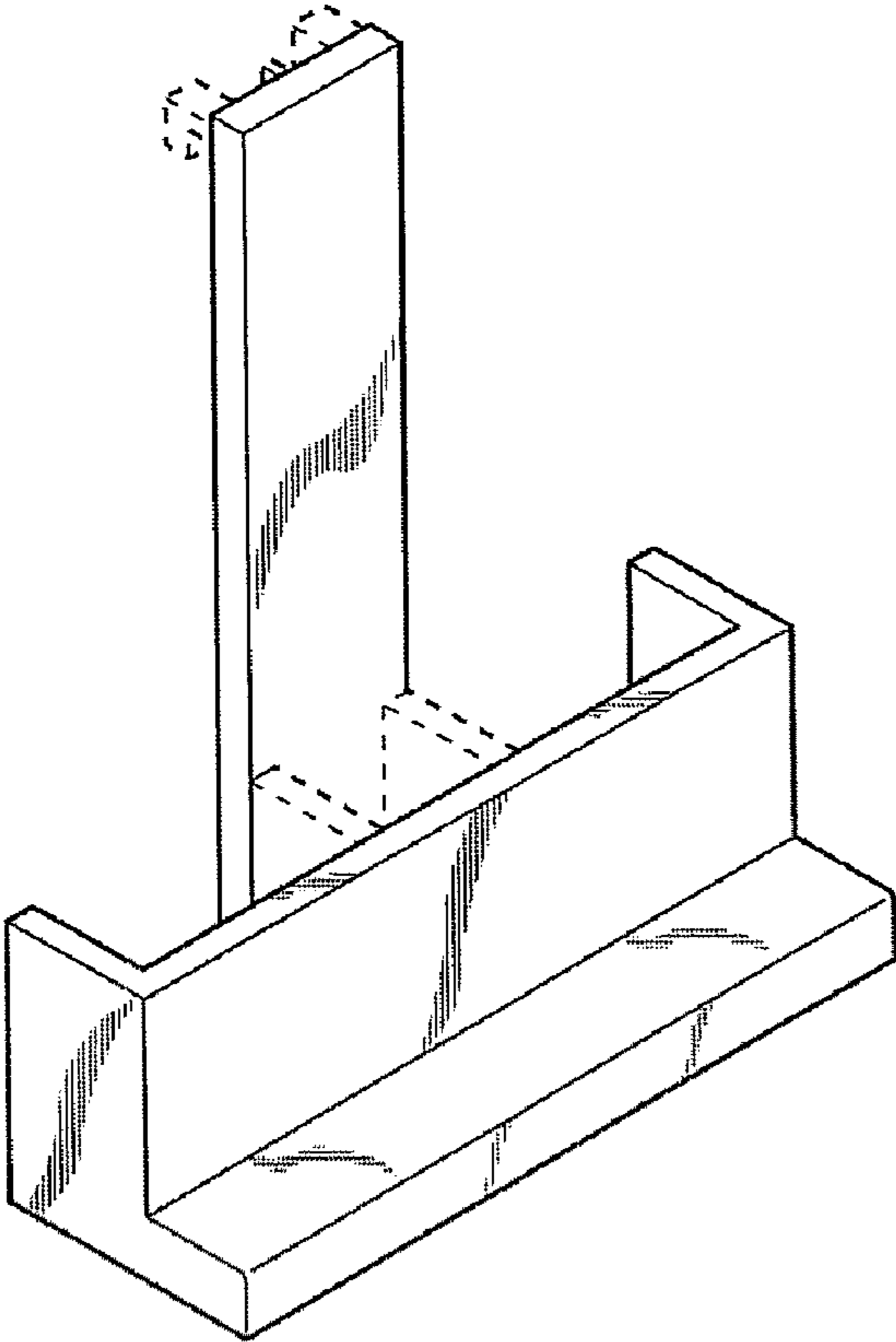
FIG. 8 is a bottom view thereof.

The broken line showing of parts of the drawings is included for the purpose of illustrating portions of the product protector and forms no part of the claimed design.

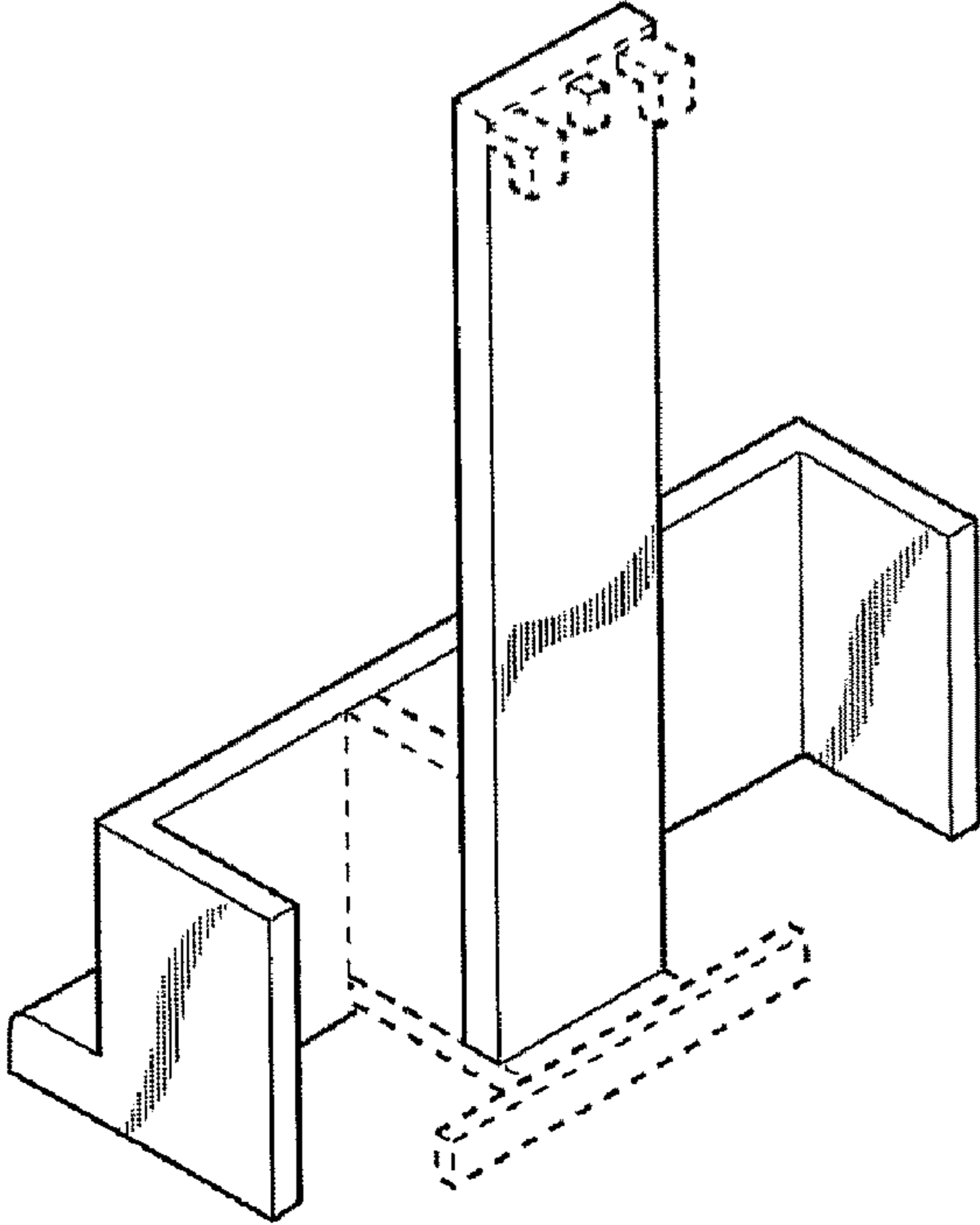
**1 Claim, 3 Drawing Sheets**



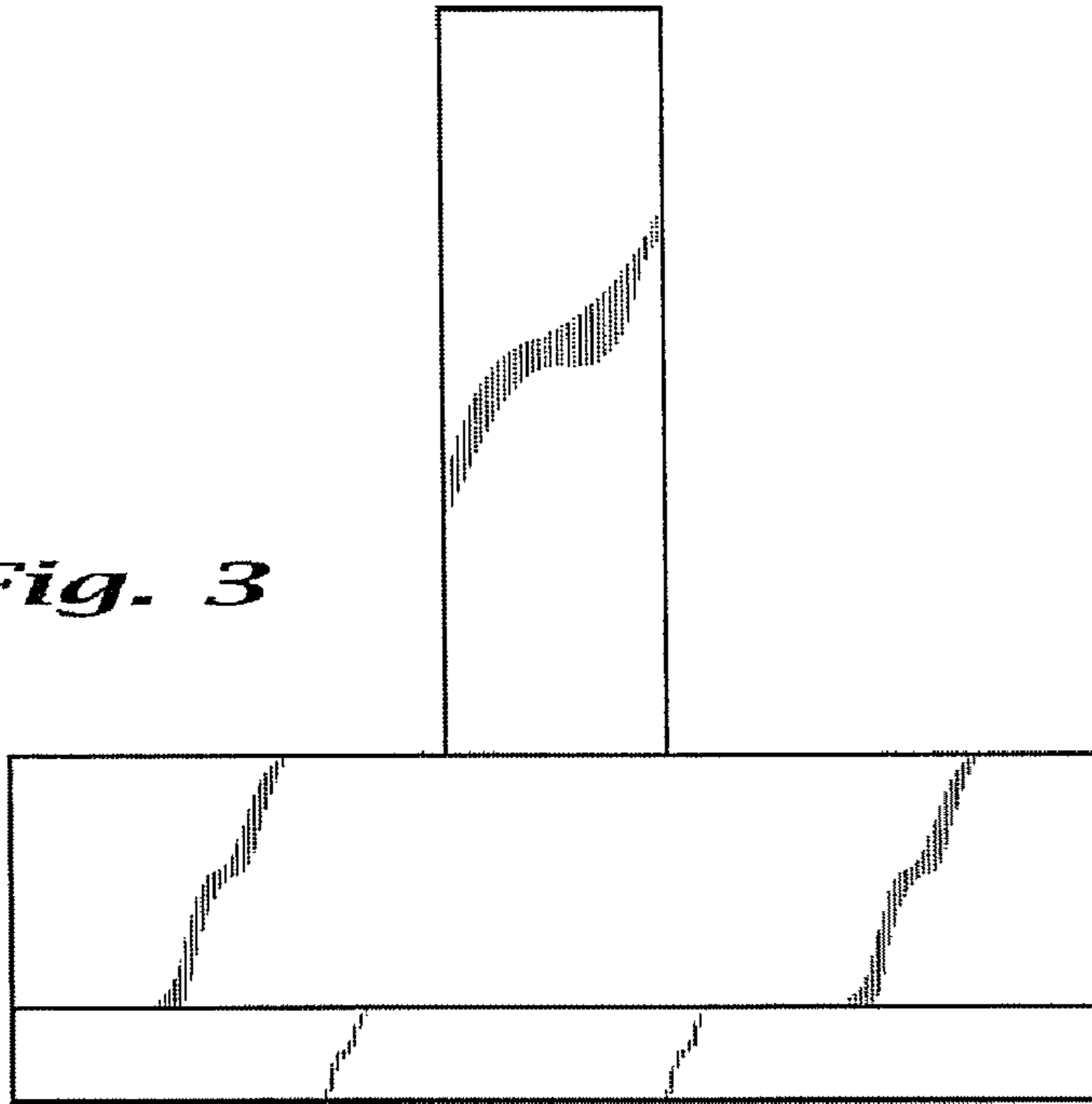
*Fig. 1*



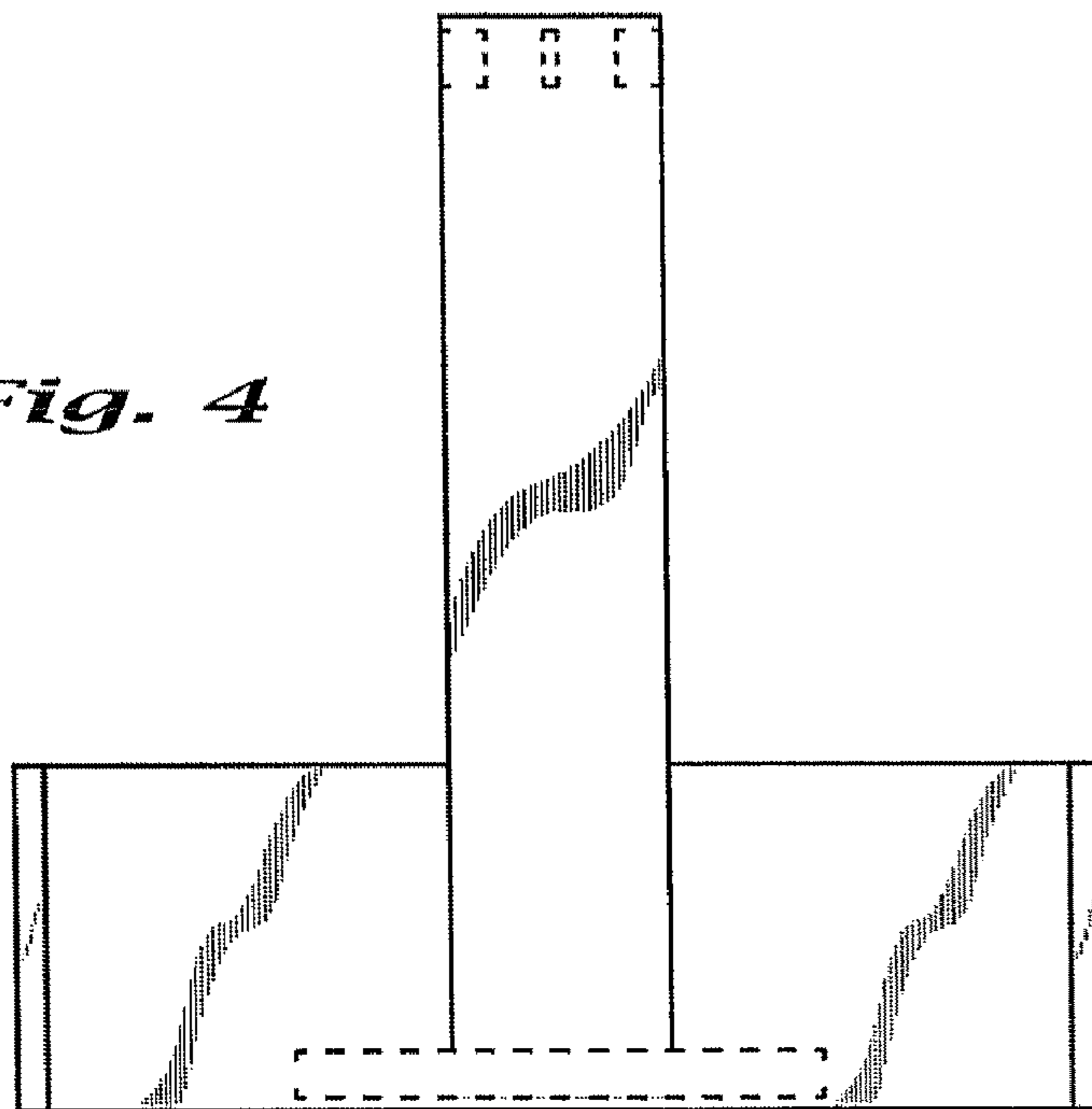
*Fig. 2*

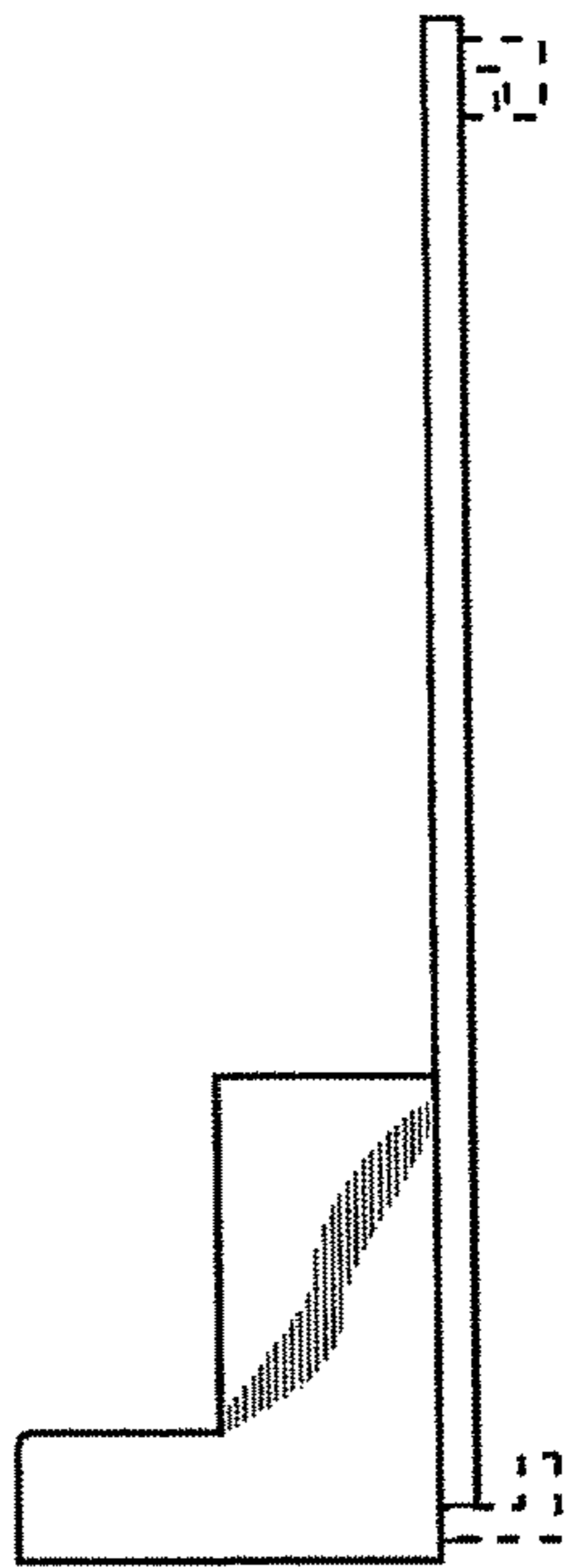


*Fig. 3*

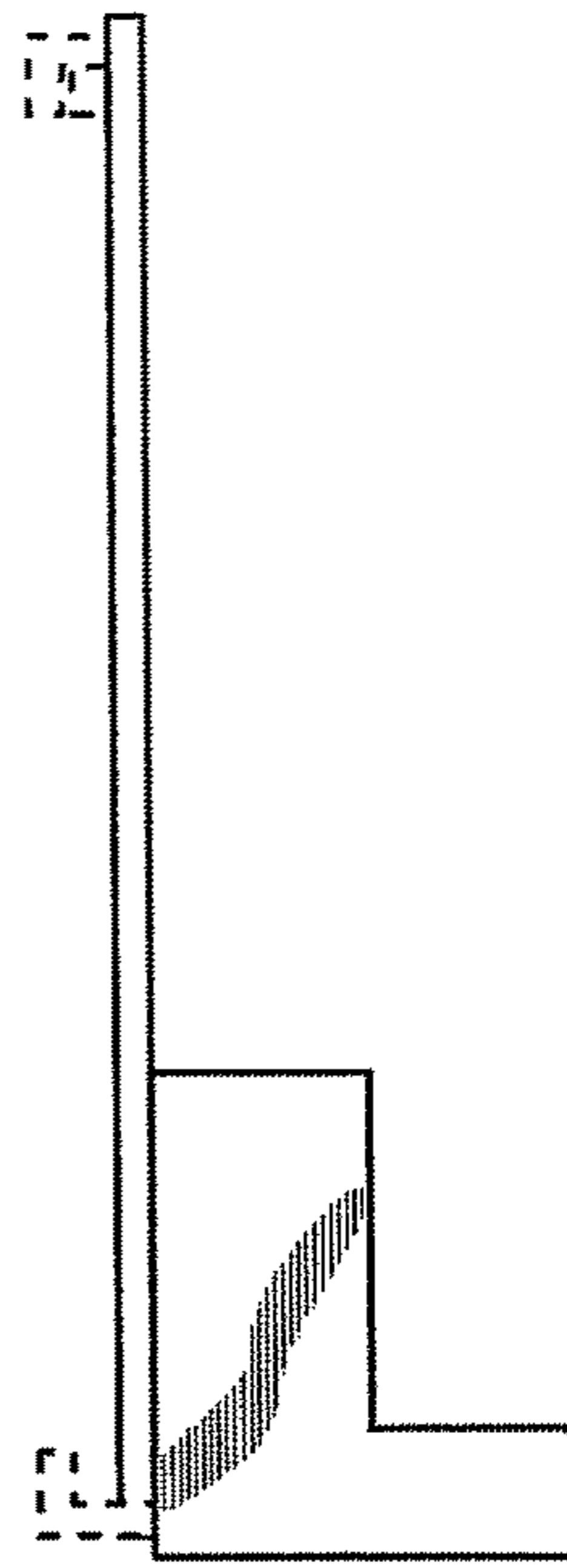


*Fig. 4*

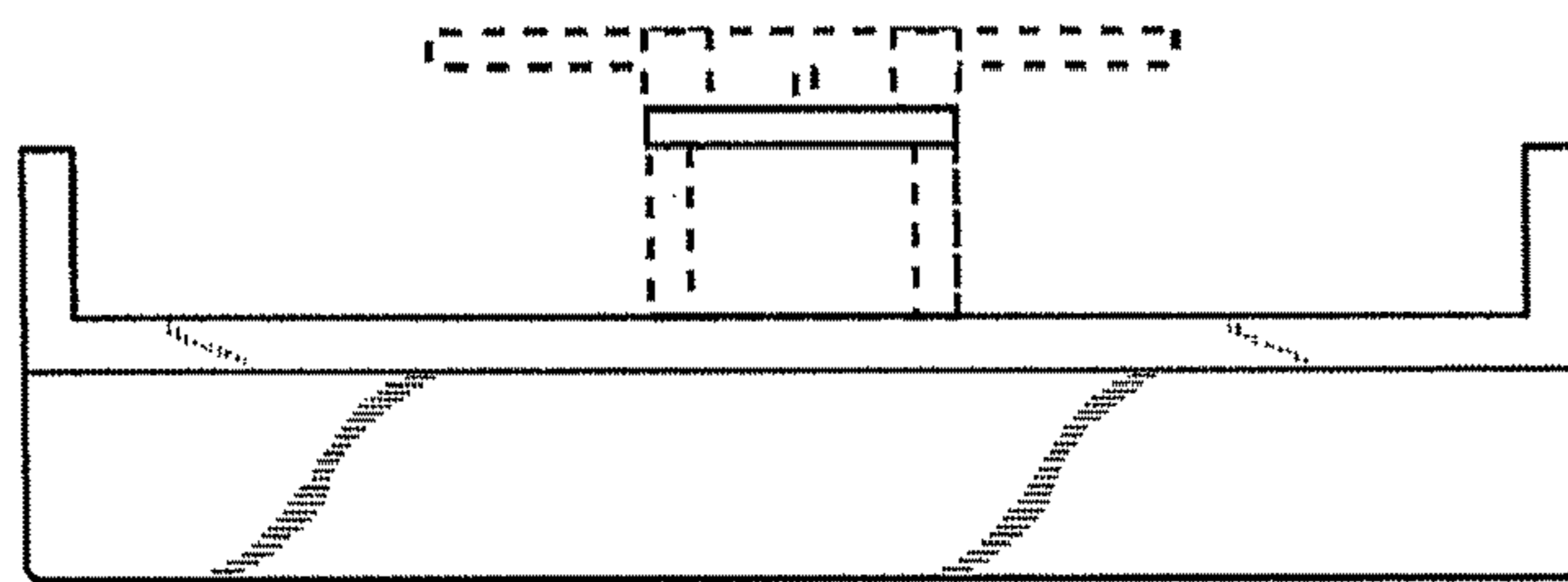




*Fig. 5*



*Fig. 6*



*Fig. 7*



*Fig. 8*