



US00D647269S

(12) **United States Design Patent**
Searcy

(10) **Patent No.:** **US D647,269 S**

(45) **Date of Patent:** **** Oct. 18, 2011**

(54) **UTILITY TRAY**

(76) **Inventor:** **Marilyn A. Searcy**, Ripon, CA (US)

(**) **Term:** **14 Years**

(21) **Appl. No.:** **29/385,195**

(22) **Filed:** **Feb. 10, 2011**

(51) **LOC (9) Cl.** **07-07**

(52) **U.S. Cl.** **D32/53.1**

(58) **Field of Classification Search** D32/53,
D32/53.1, 54; 220/570; 15/257.05, 257.06;
D3/304

See application file for complete search history.

(56) **References Cited**

U.S. PATENT DOCUMENTS

D211,611 S *	7/1968	Fox et al.	D32/53.1
D332,512 S *	1/1993	Bernard	D32/53.1
D444,604 S *	7/2001	Hoffert et al.	D32/53.1
D482,830 S *	11/2003	Kohn	D32/53.1
D571,969 S *	6/2008	Byers	D32/53.1
D586,056 S *	2/2009	Shea	D32/53.1

D586,517 S *	2/2009	Moon	D32/53.1
D602,220 S *	10/2009	Wallace	D32/53.1
D604,920 S *	11/2009	Bergman	D32/53.1

* cited by examiner

Primary Examiner — Robin V Webster

(74) *Attorney, Agent, or Firm* — Bruce H Johnsonbaugh

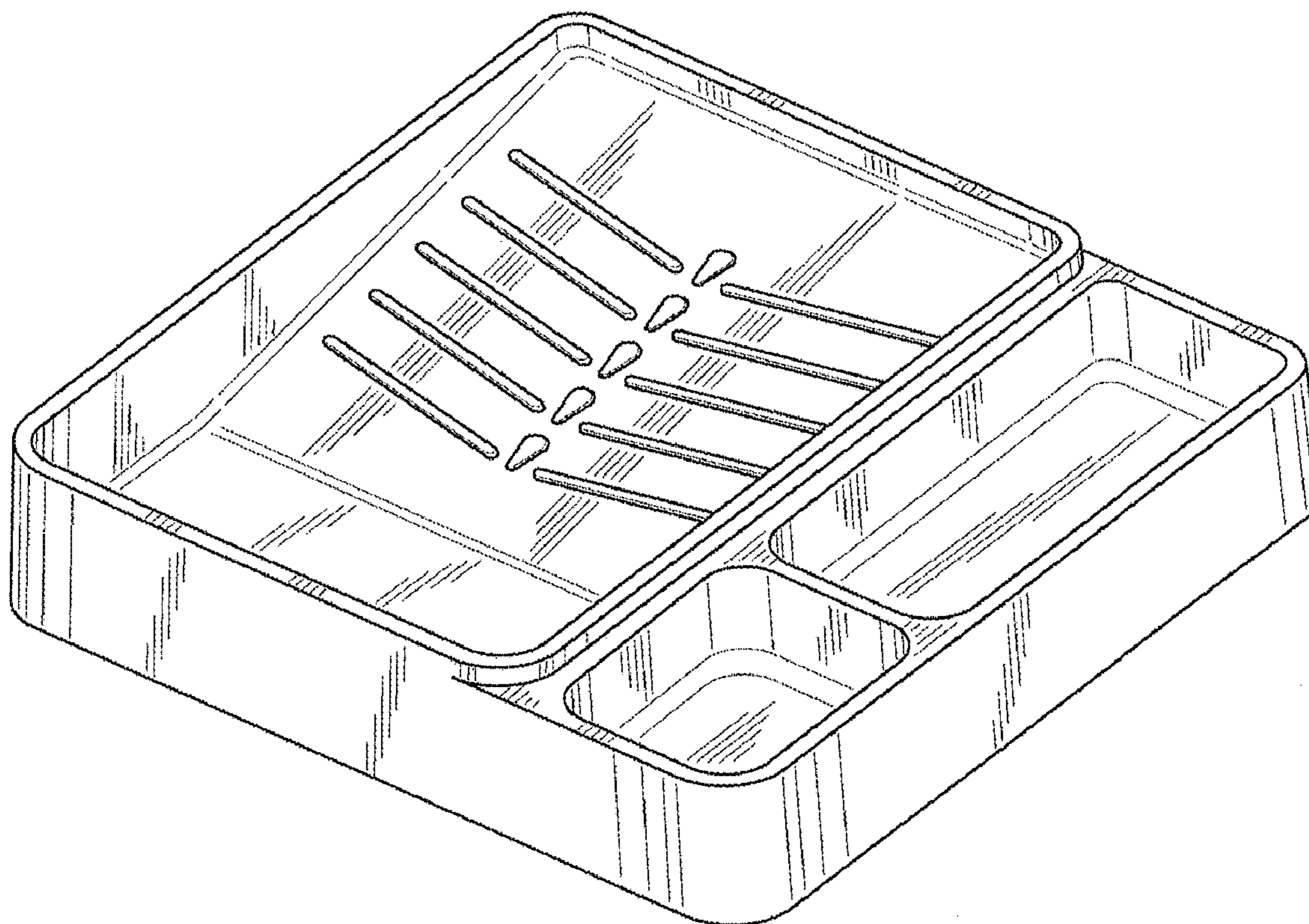
(57) **CLAIM**

The ornamental design for a utility tray, as shown and described.

DESCRIPTION

FIG. 1 is a perspective view of the invention;
FIG. 2 is a side view of the invention;
FIG. 3 is a top view of the invention;
FIG. 4 is an opposing side view of the invention;
FIG. 5 is a right side view of the invention;
FIG. 6 is a left side view of the invention; and,
FIG. 7 is a bottom view of the invention.
The broken line showing in FIG. 7 is included for the purpose of illustrating and forms no part of the claimed design.

1 Claim, 4 Drawing Sheets



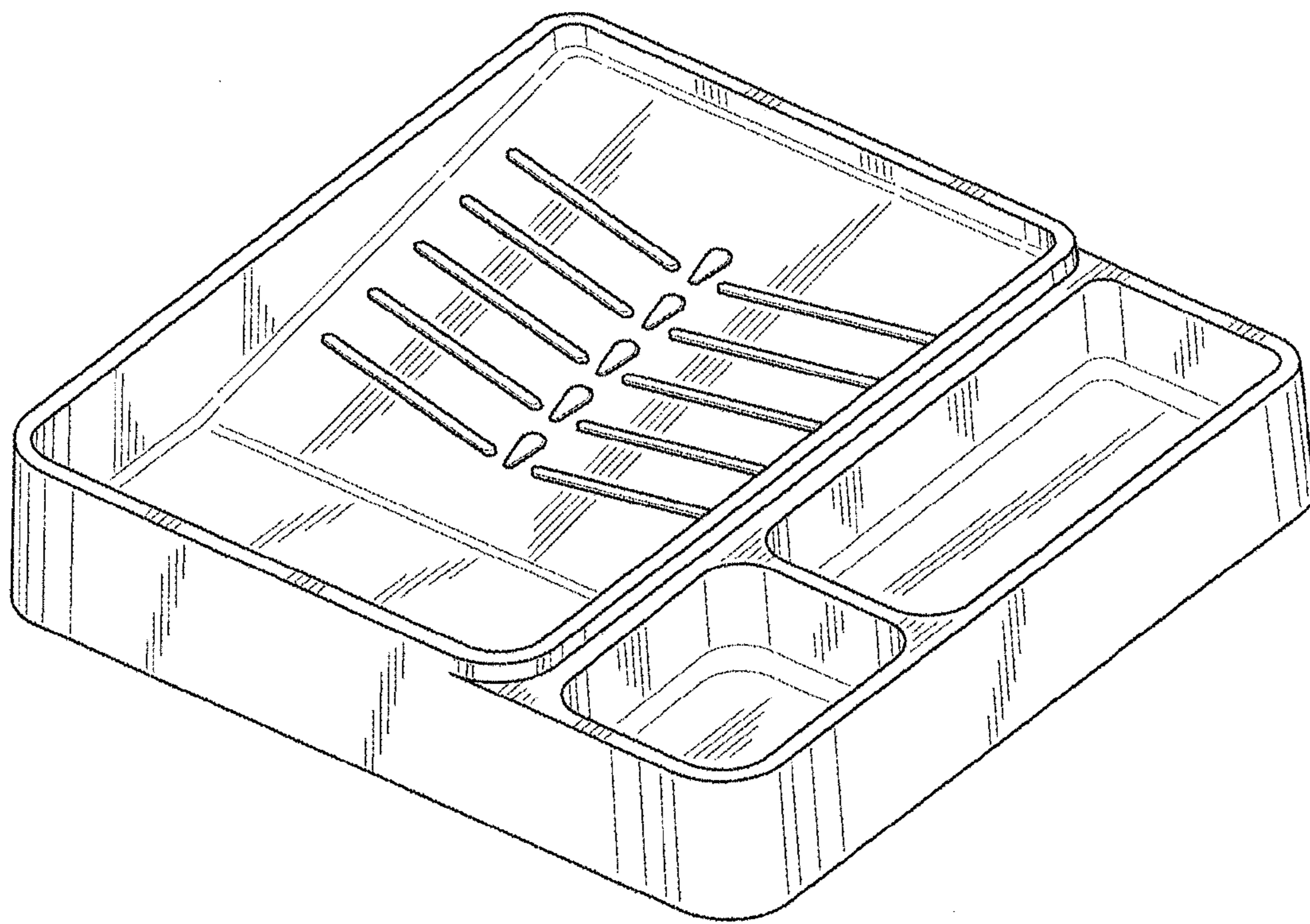


FIG. 1

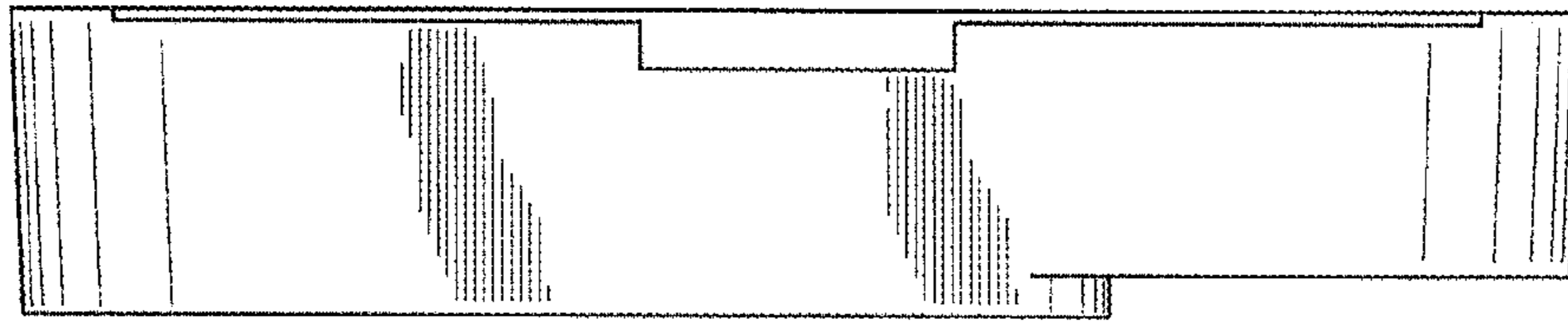


FIG. 2

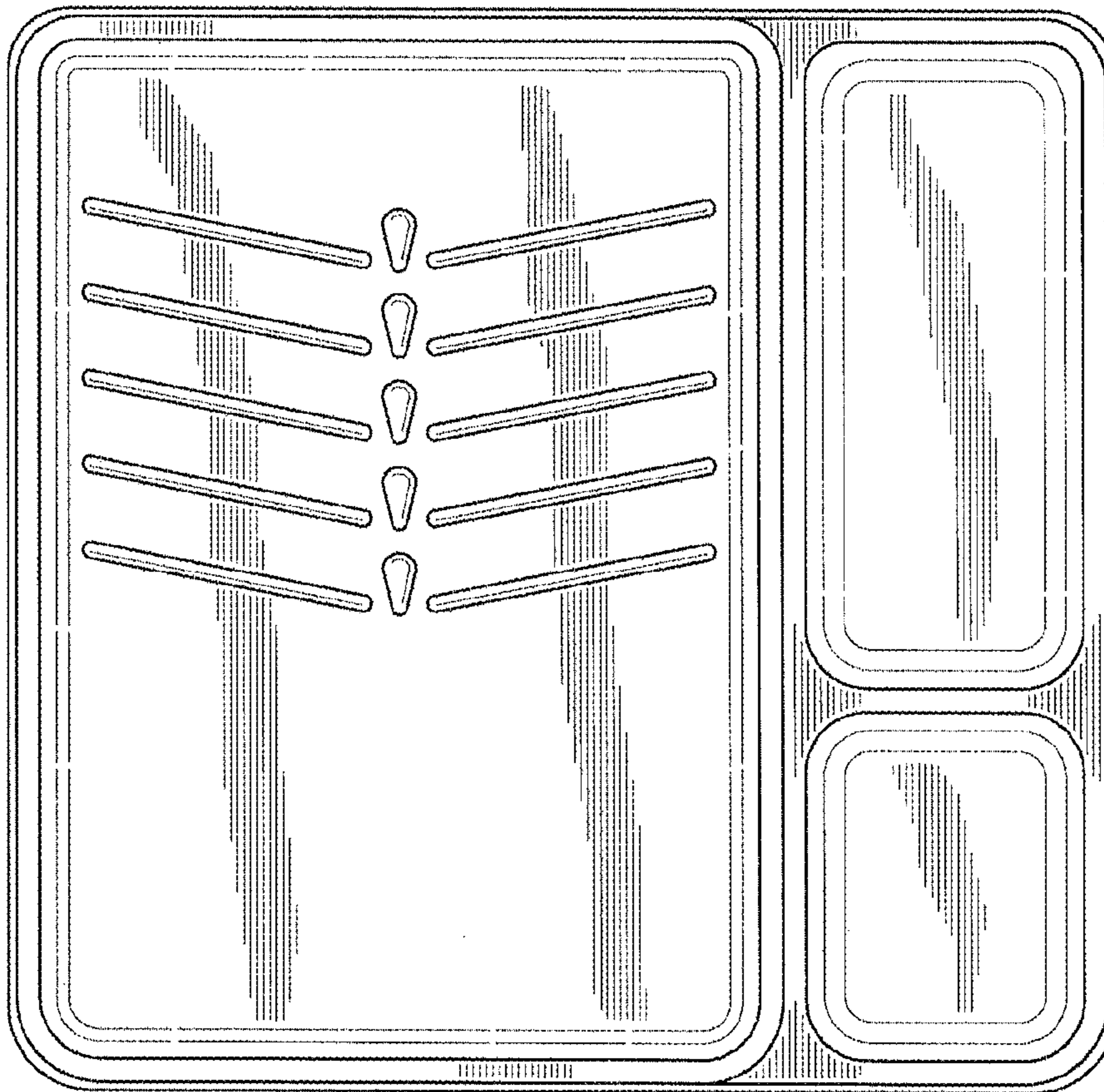


FIG. 3

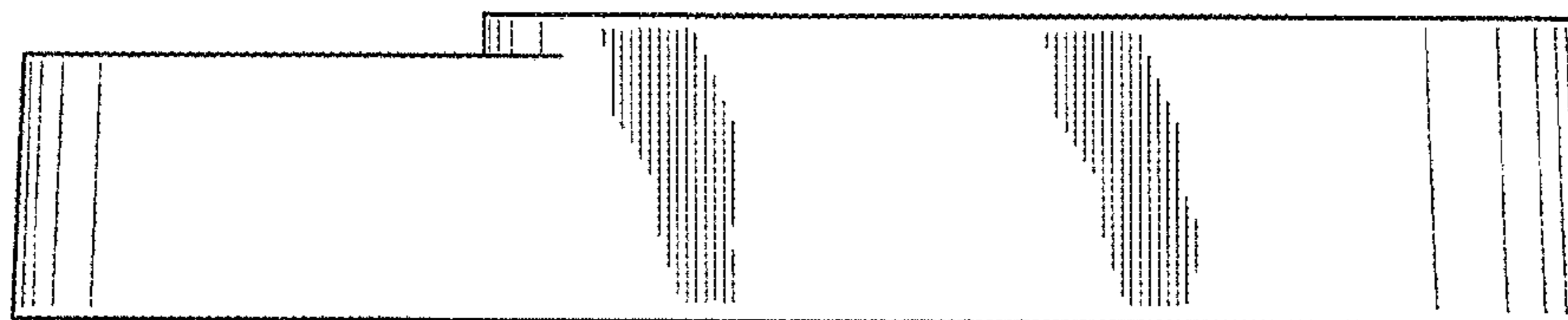


FIG. 4

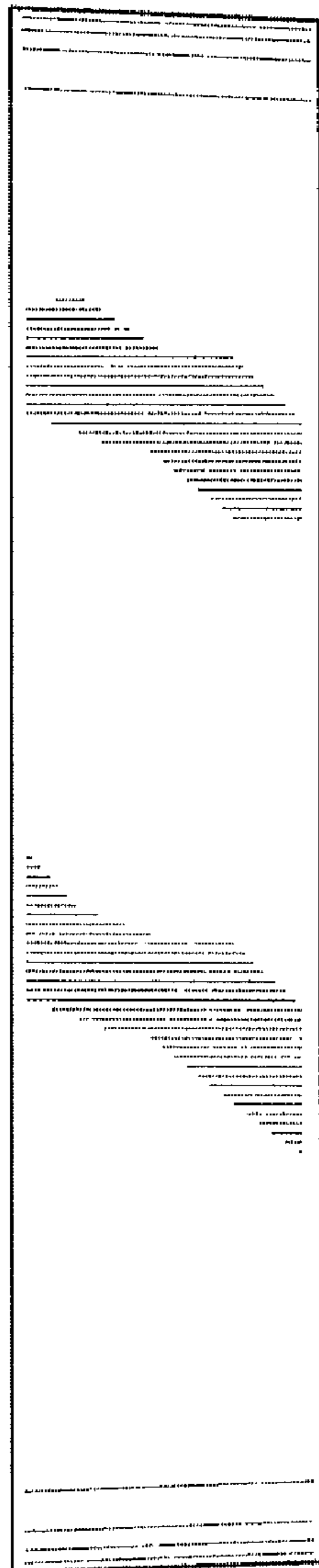


FIG. 5

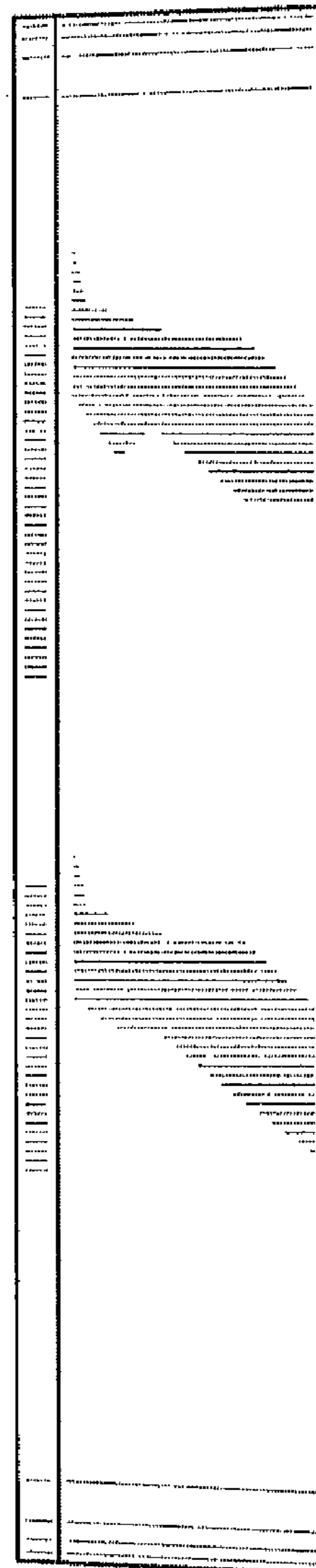


FIG. 6

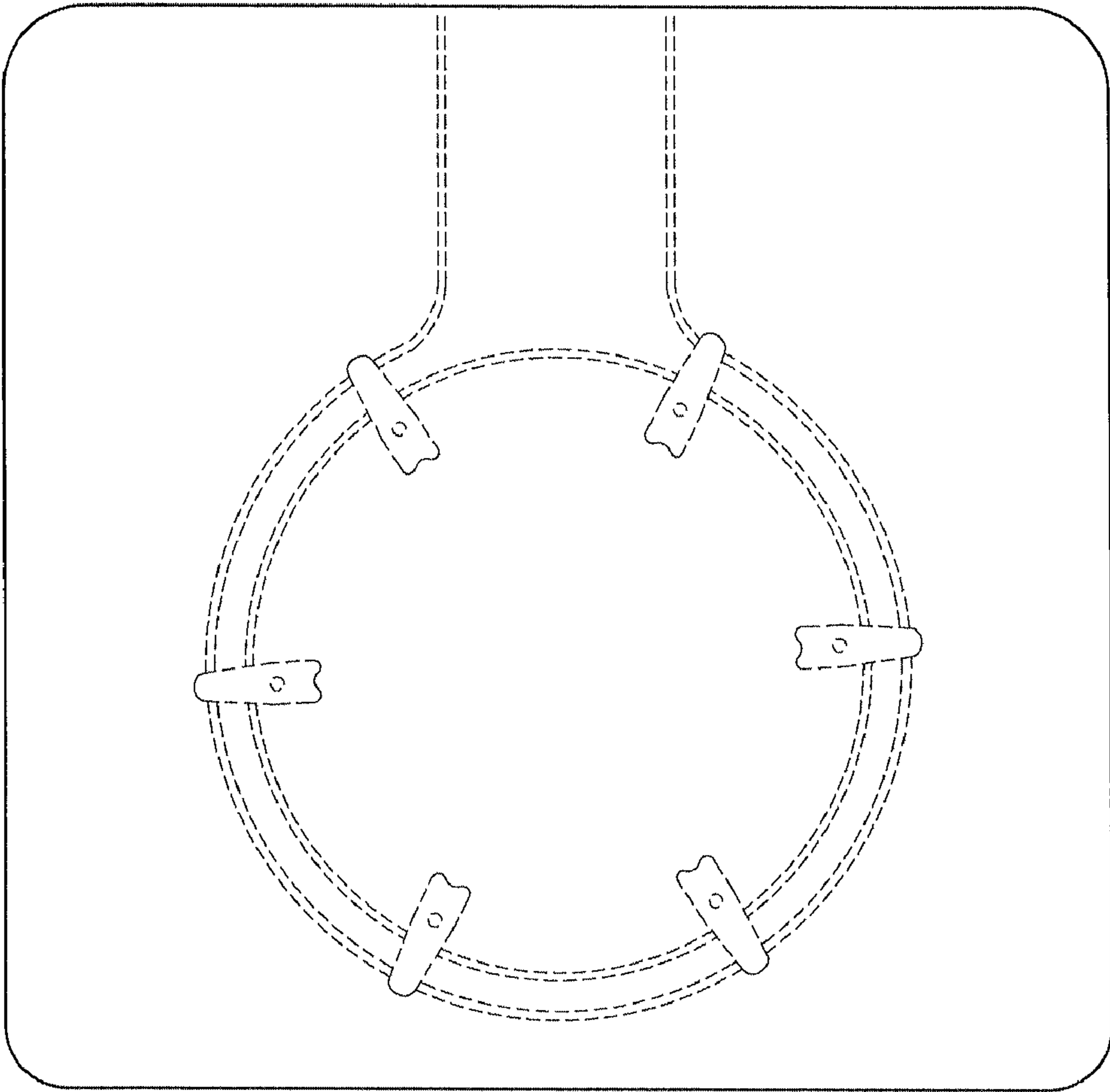


FIG. 7