



US00D647267S

(12) **United States Design Patent**
Kaleta et al.

(10) **Patent No.:** **US D647,267 S**

(45) **Date of Patent:** **** Oct. 18, 2011**

(54) **SWEEPER HEAD**

(76) Inventors: **Bryan Kaleta**, Darien, IL (US); **Mark Kaleta**, Chicago, IL (US)

(**) Term: **14 Years**

(21) Appl. No.: **29/354,162**

(22) Filed: **Jan. 20, 2010**

(51) **LOC (9) Cl.** **15-05**

(52) **U.S. Cl.** **D32/39**

(58) **Field of Classification Search** D32/50,
D32/51, 38-45, 21, 22, 32, 33; 15/41.1,
15/42-46, 48, 48.1, 79.1, 49.1, 50.3, 415.1;
16/DIG. 41

See application file for complete search history.

(56) **References Cited**

U.S. PATENT DOCUMENTS

D312,154	S *	11/1990	Kuroda	D32/38
5,115,538	A *	5/1992	Cochran et al.	15/415.1
D346,470	S *	4/1994	Zahuranec et al.	D32/38
D391,708	S *	3/1998	Canavan et al.	D32/38
5,920,939	A *	7/1999	Worwag	15/41.1
D487,324	S *	3/2004	Santiago et al.	D32/32
D544,668	S *	6/2007	Harper et al.	D32/51

D549,410	S *	8/2007	Orak et al.	D32/38
D549,910	S *	8/2007	Bouhuys	D32/38
7,367,076	B2 *	5/2008	Makarov et al.	15/41.1
D581,616	S *	11/2008	Presnell	D32/38
7,665,172	B1 *	2/2010	Tran et al.	15/41.1
D618,873	S *	6/2010	Ayers	D32/33

* cited by examiner

Primary Examiner — David Muller

(74) *Attorney, Agent, or Firm* — Knechtel, Demeur & Samlan

(57) **CLAIM**

We claim the ornamental design for a sweeper head, as shown and described.

DESCRIPTION

FIG. 1 is a perspective view;
FIG. 2 is a top plan view;
FIG. 3 is a left end view;
FIG. 4 is a front elevational view;
FIG. 5 is a bottom view;
FIG. 6 is a right end view; and,
FIG. 7 is a rear elevation view.

The features shown in broken lines depict environmental subject matter only and form no part of the claimed design.

1 Claim, 4 Drawing Sheets

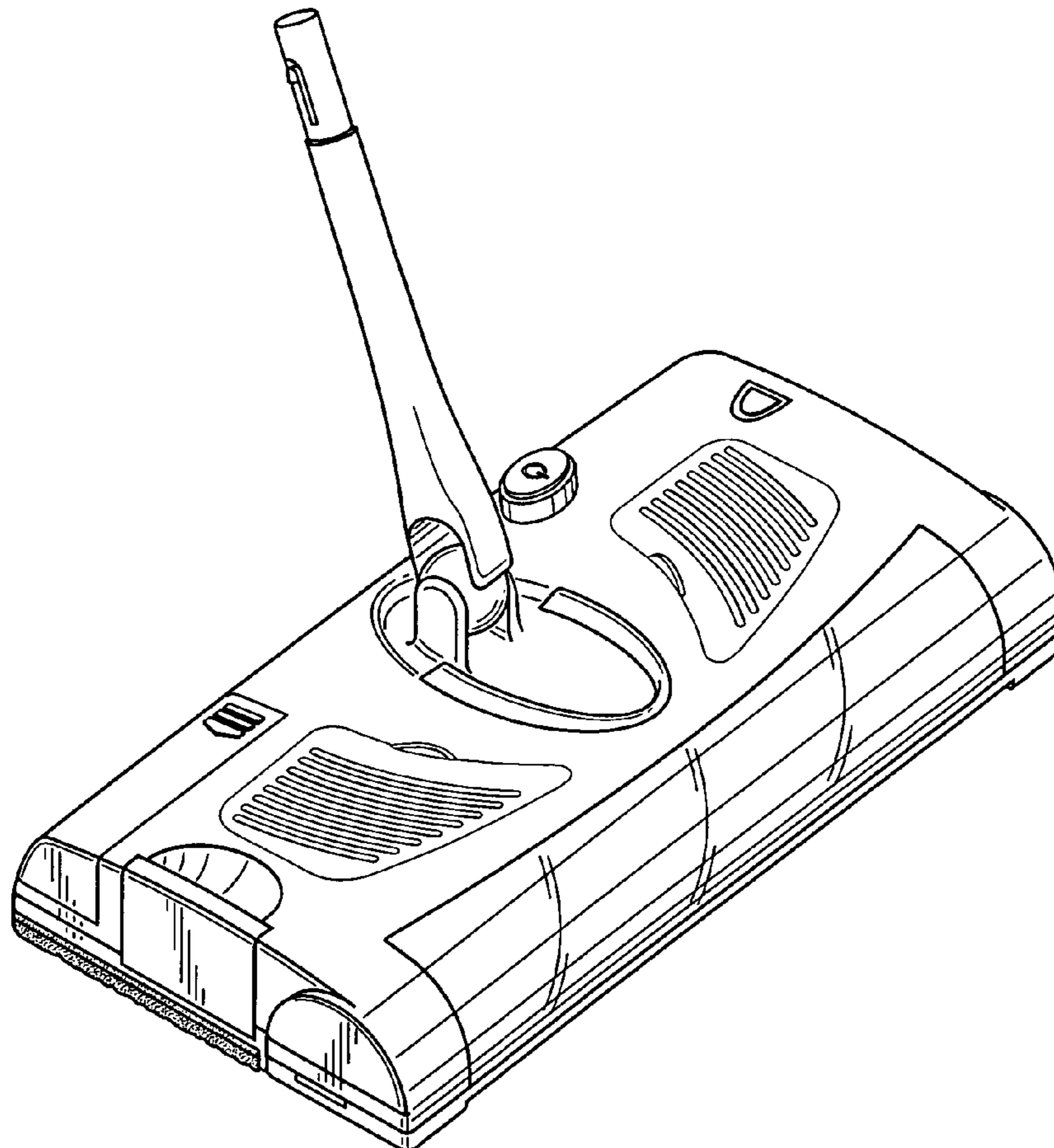


Fig. 1

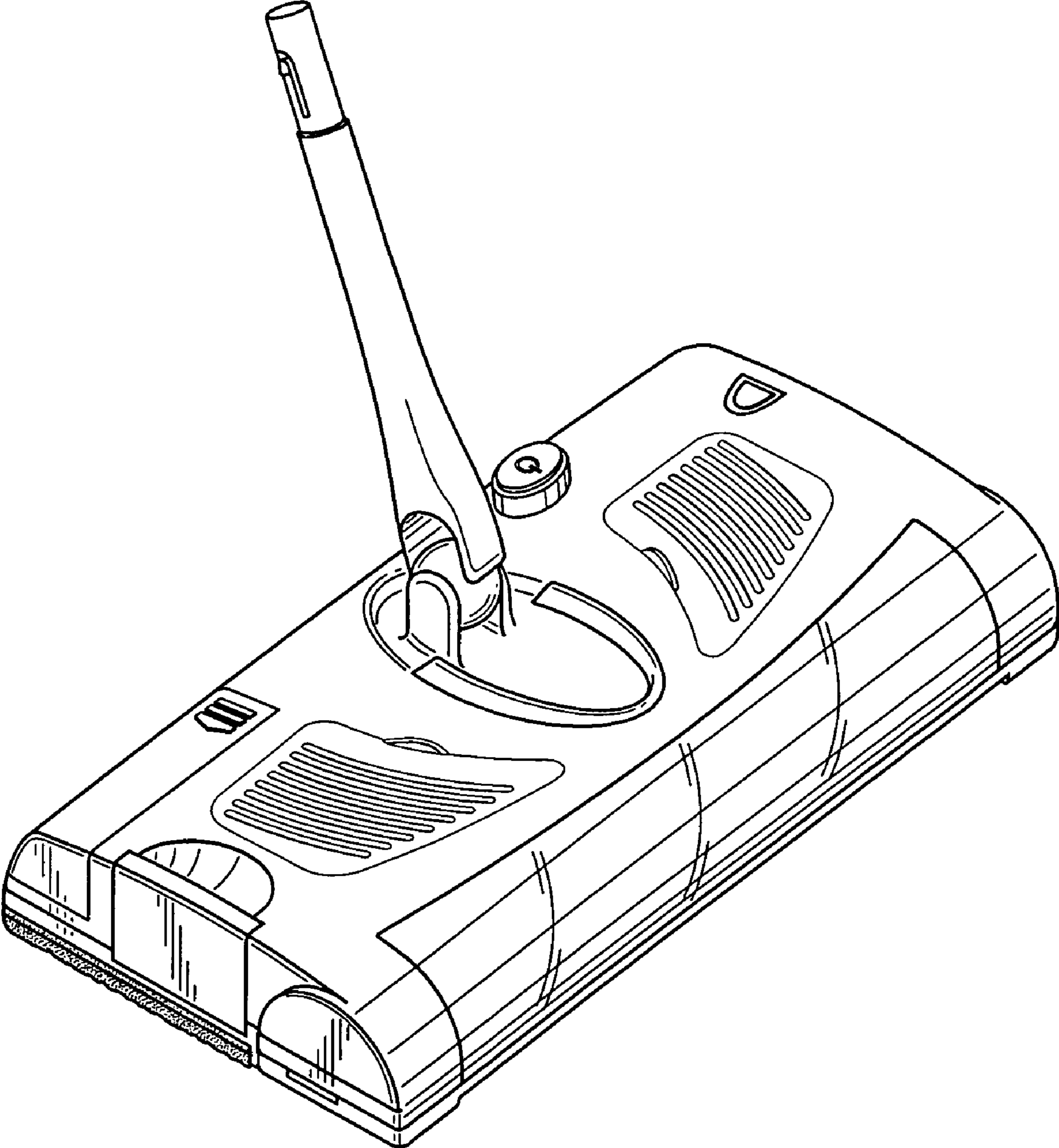


Fig. 2

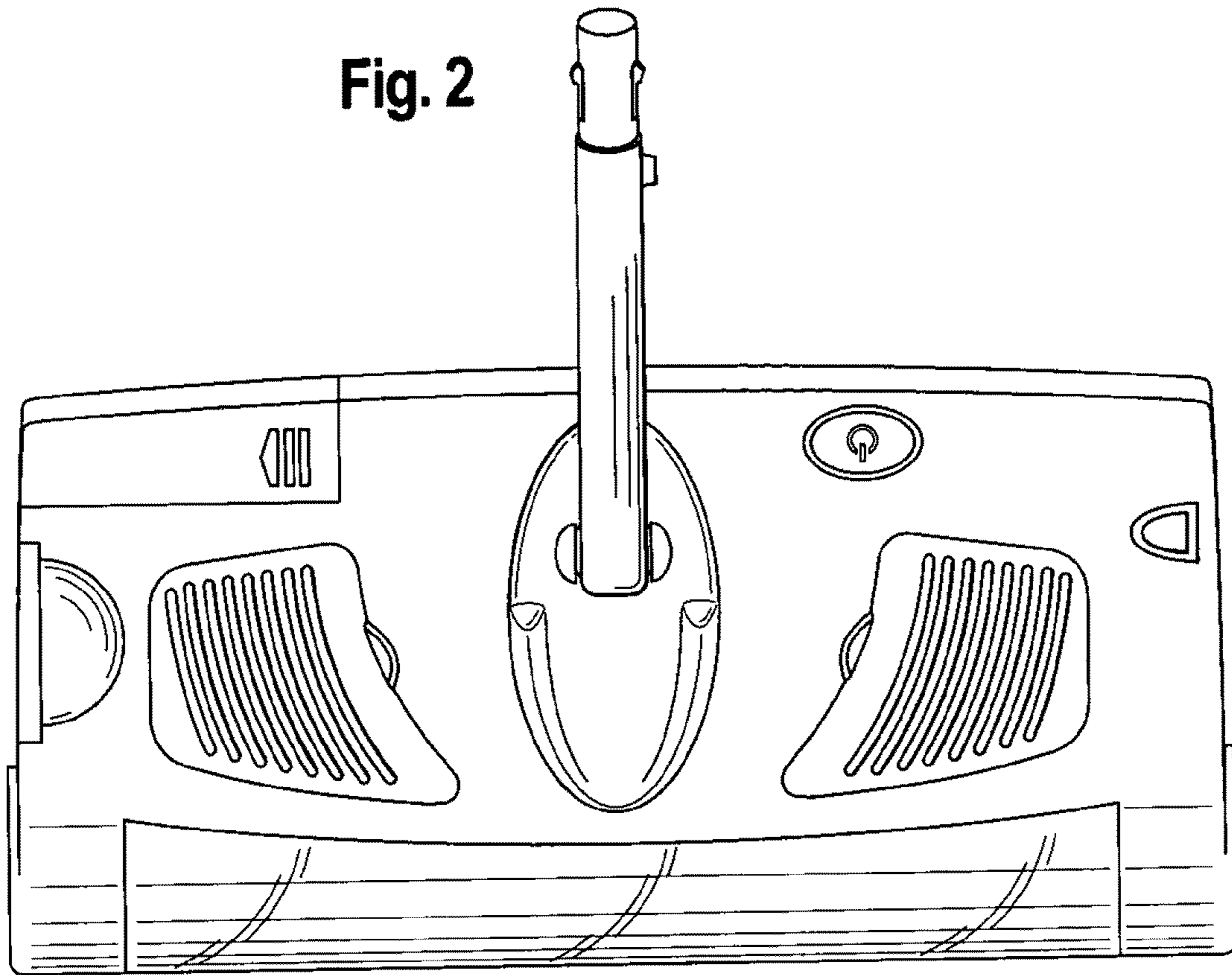


Fig. 3

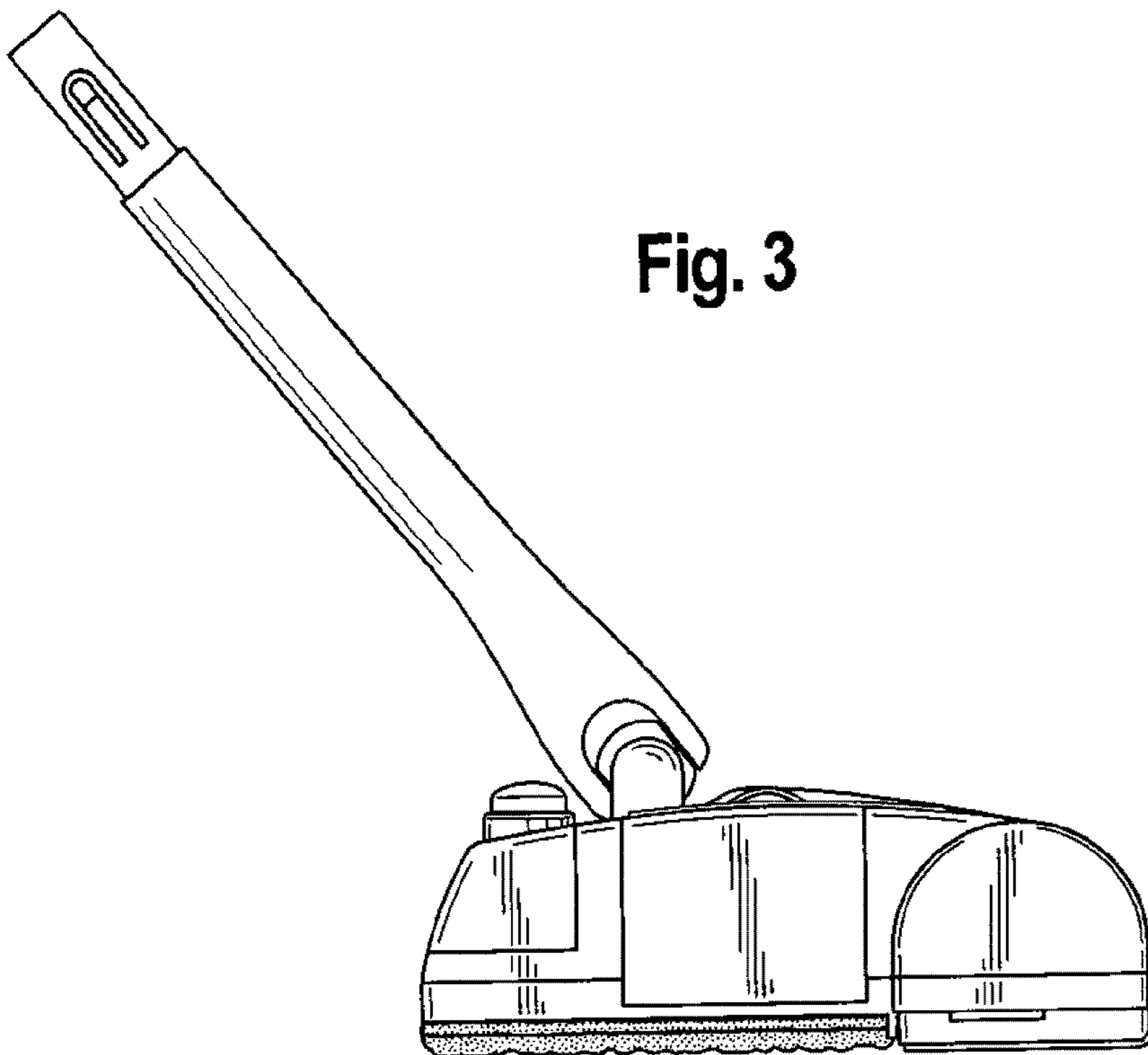


Fig. 4

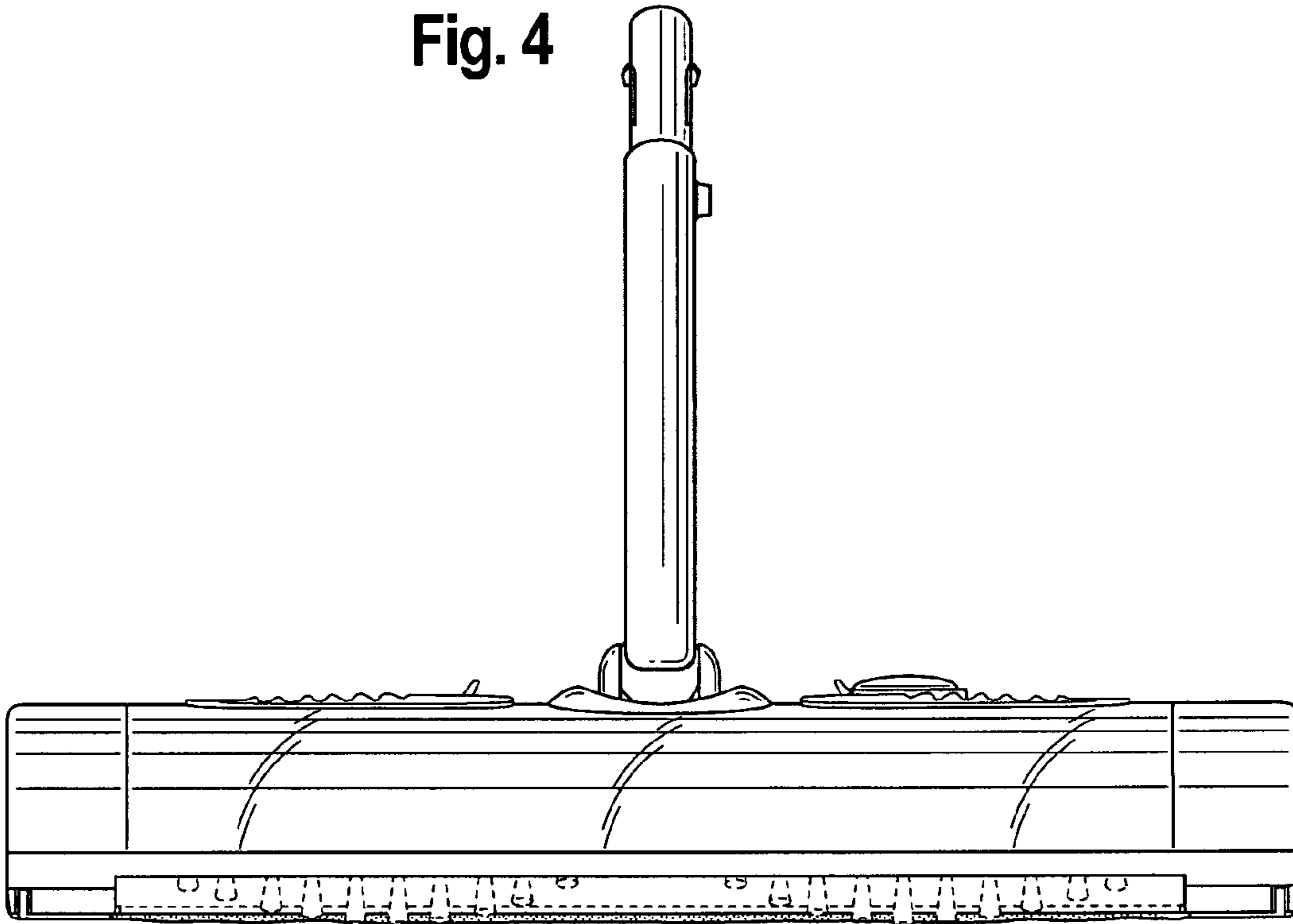


Fig. 5

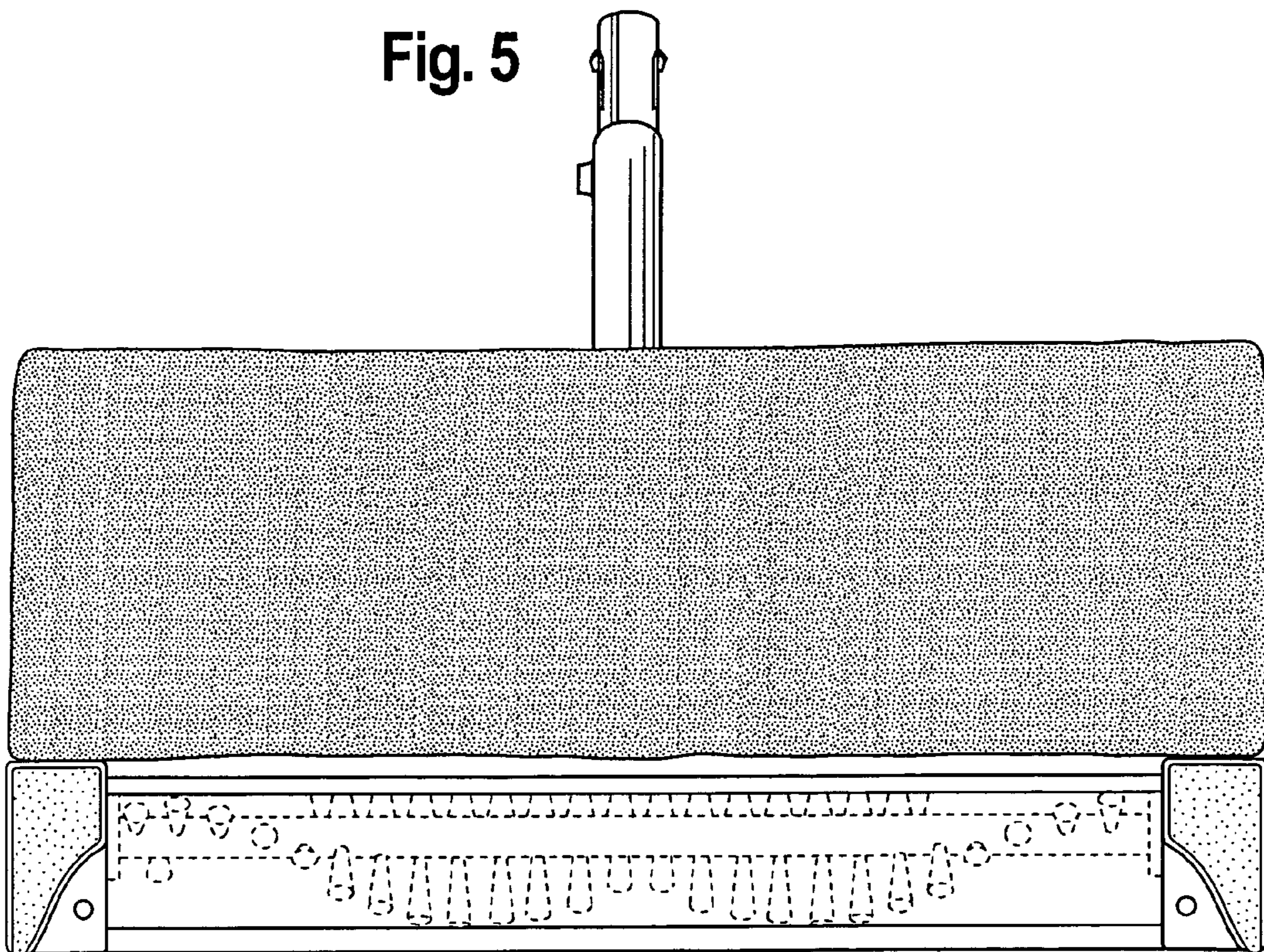


Fig. 6

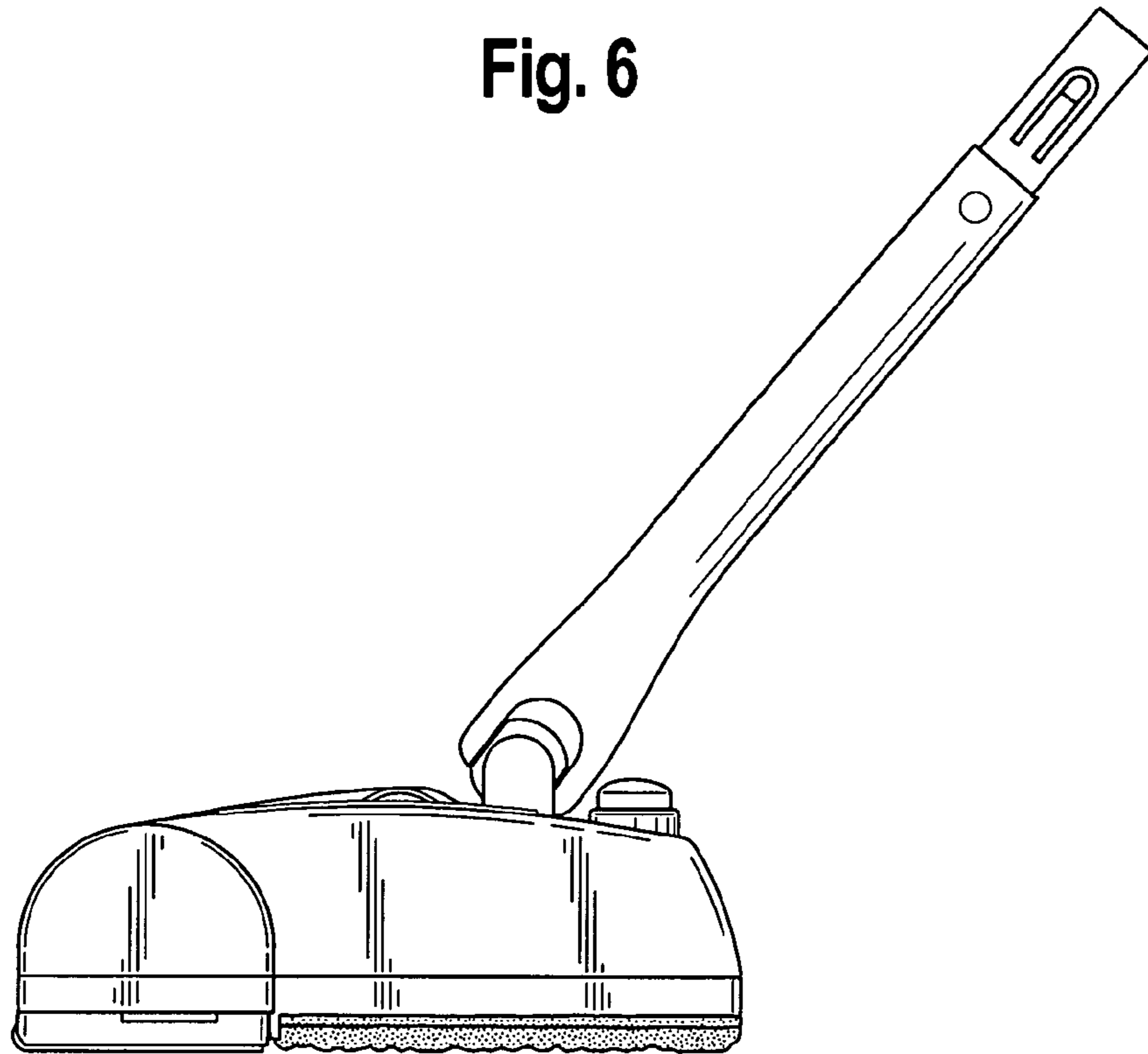


Fig. 7

