



US00D647264S

(12) **United States Design Patent**
Luebbering et al.

(10) **Patent No.:** **US D647,264 S**

(45) **Date of Patent:** **** Oct. 18, 2011**

(54) **VACUUM CLEANER HOUSING**

(75) Inventors: **Gregory Luebbering**, Heyworth, IL (US); **Randall Sandlin**, Bloomington, IL (US)

(73) Assignee: **Electrolux Home Care Products, Inc.**, Cleveland, OH (US)

(**) Term: **14 Years**

(21) Appl. No.: **29/362,957**

(22) Filed: **Jun. 2, 2010**

(51) **LOC (9) Cl.** **15-05**

(52) **U.S. Cl.** **D32/31**

(58) **Field of Classification Search** D32/22, D32/31, 34; 55/337, 429, 459.1, DIG. 2, 55/DIG. 3; 15/386, 320, 350, 353, 361, 347, 15/410-411, 327.1, 329, 383, 398, 366, 182-183, 15/179, 344, 374, 392, 339, 402, 415.1, 419, 15/310, 4.52; 119/628

See application file for complete search history.

(56) **References Cited**

U.S. PATENT DOCUMENTS

4,766,638 A * 8/1988 McDowell 15/329
D301,649 S * 6/1989 Yamamoto et al. D32/22
D418,266 S * 12/1999 Medema et al. D32/22

D419,730 S * 1/2000 Diebel et al. D32/22
D553,312 S * 10/2007 Parr D32/22
D553,813 S * 10/2007 Parr D32/22
D592,818 S * 5/2009 Sun D32/22
D615,717 S * 5/2010 Butts et al. D32/22
D629,167 S * 12/2010 Kim D32/22
D637,777 S * 5/2011 Fiorino et al. D32/31
7,937,801 B2 * 5/2011 Egler et al. 15/320
2007/0130723 A1 * 6/2007 Kelly 15/410

* cited by examiner

Primary Examiner — Ruth McInroy

(74) *Attorney, Agent, or Firm* — Hunton & Williams

(57) **CLAIM**

We claim the ornamental design for a vacuum cleaner housing, as shown and described.

DESCRIPTION

FIG. 1 is a front isometric view of a vacuum cleaner showing our new design;

FIG. 2 is a rear isometric view thereof;

FIG. 3 is a left side elevation view thereof;

FIG. 4 is a front elevation view thereof;

FIG. 5 is a rear elevation view thereof;

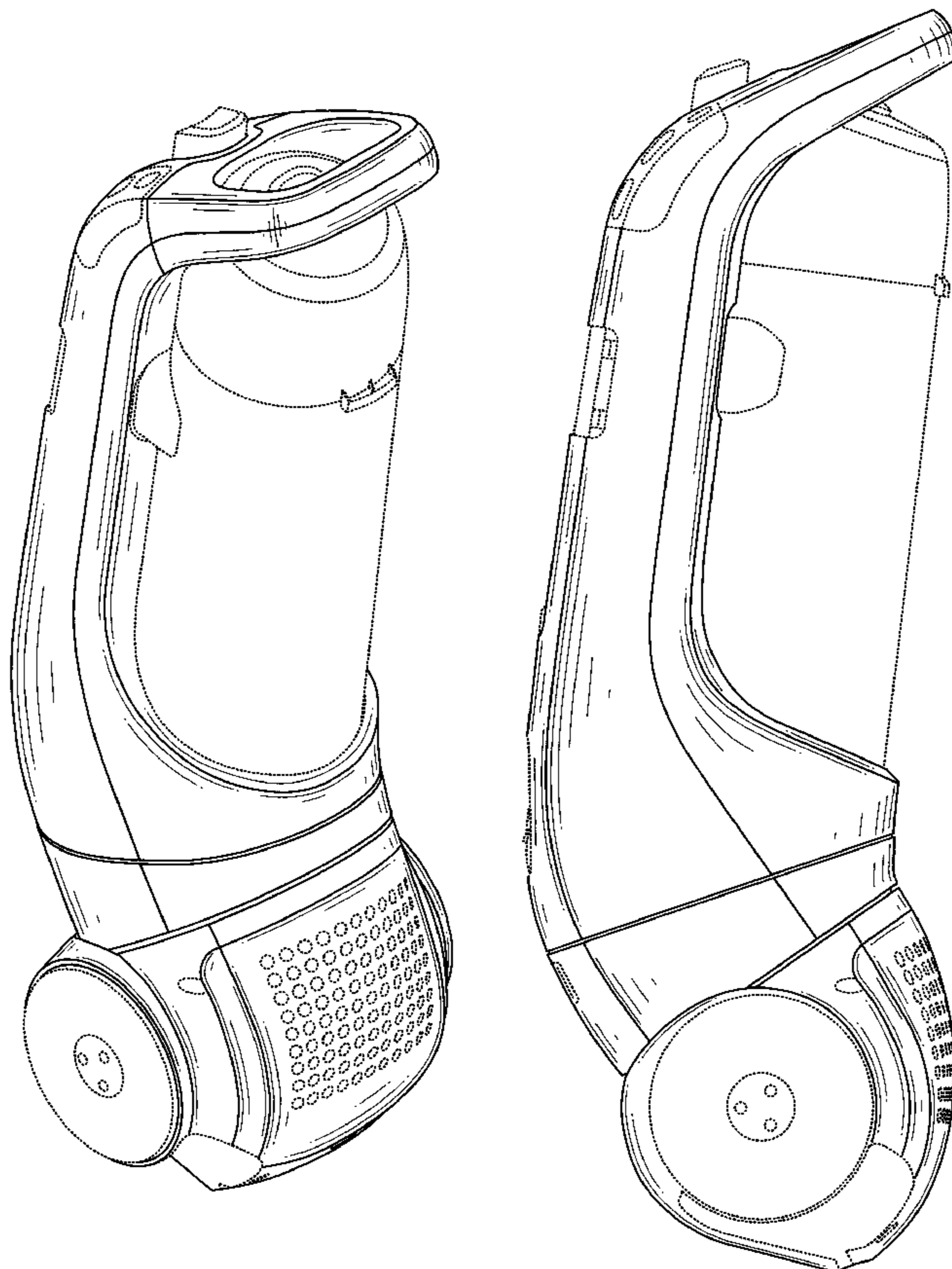
FIG. 6 is a top plan view thereof;

FIG. 7 is a bottom plan view thereof; and,

FIG. 8 is a right side elevation view thereof.

The broken lines represent environment that forms no part of the claimed design

1 Claim, 7 Drawing Sheets



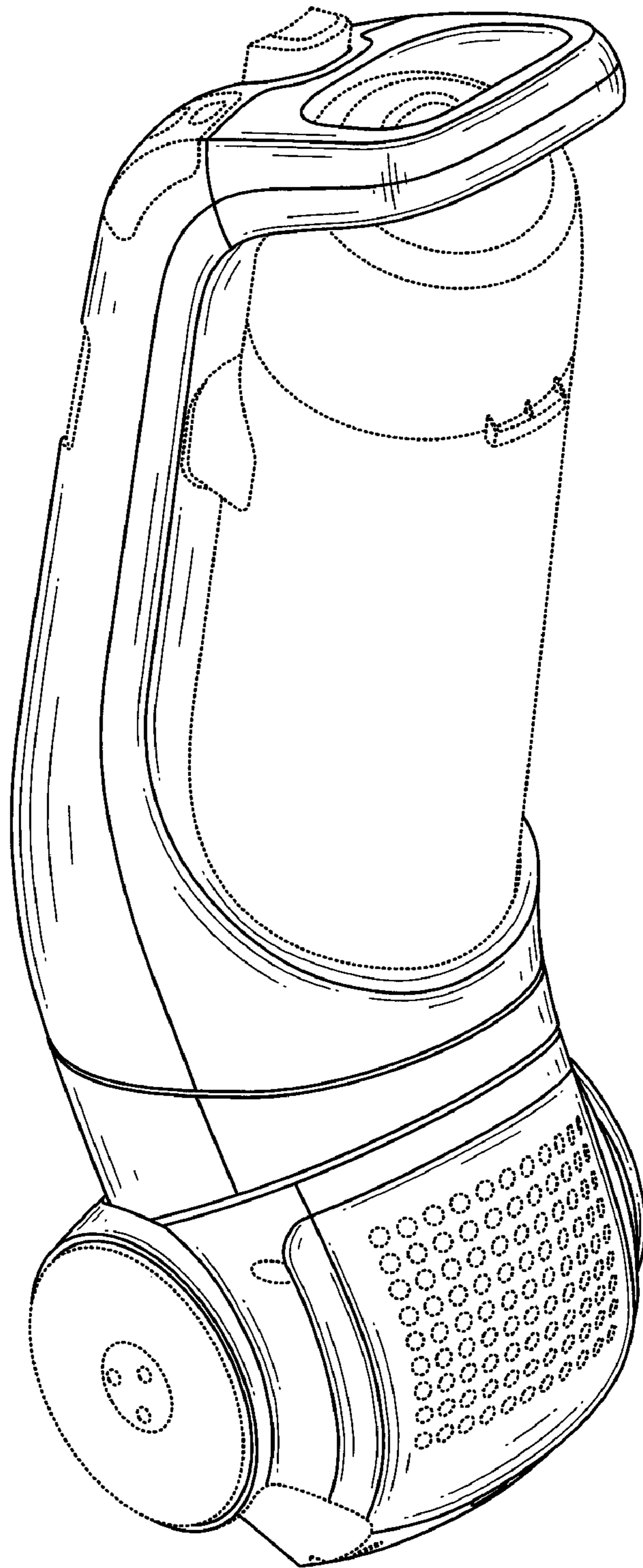


FIG. 1

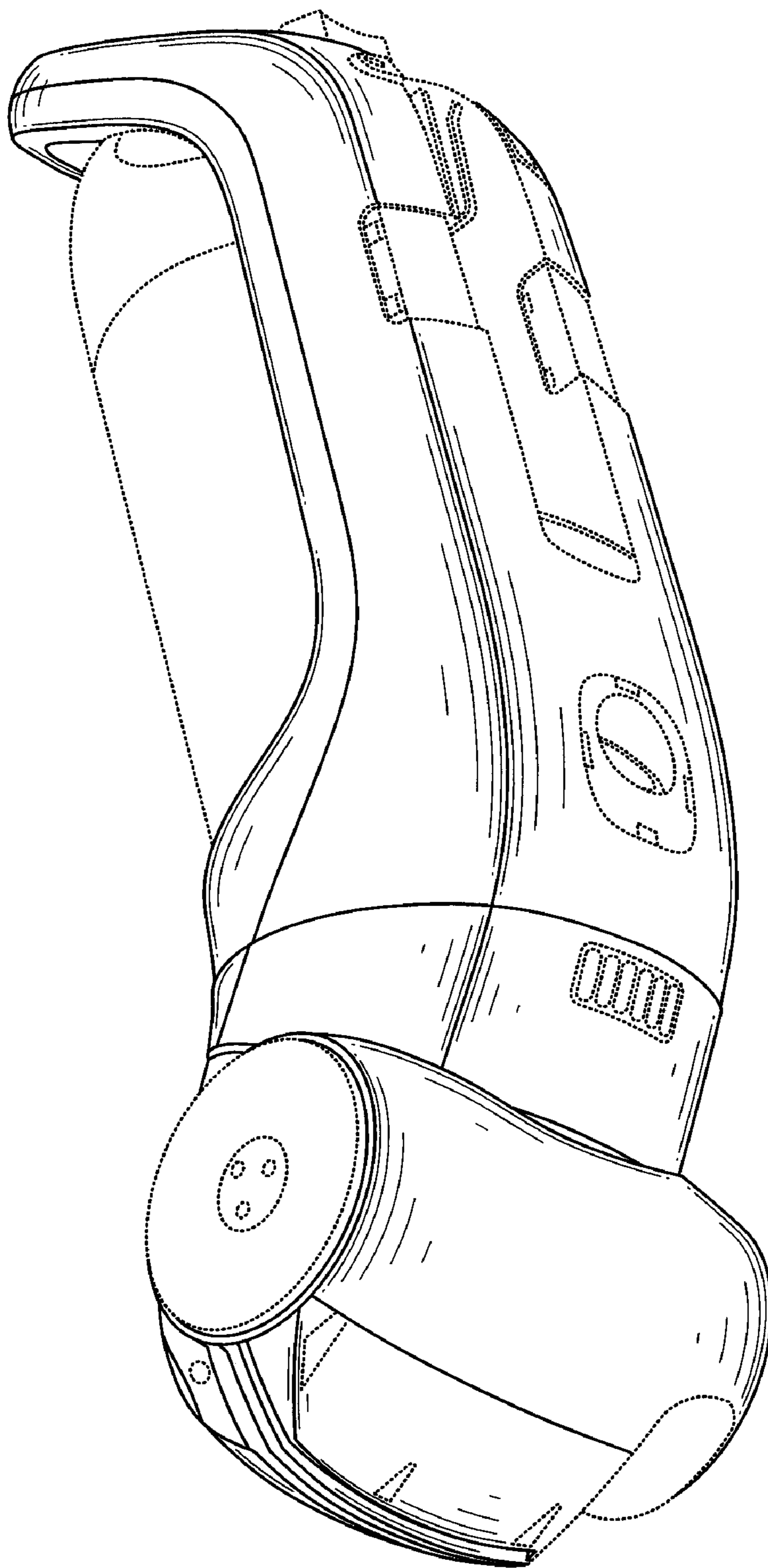


FIG. 2

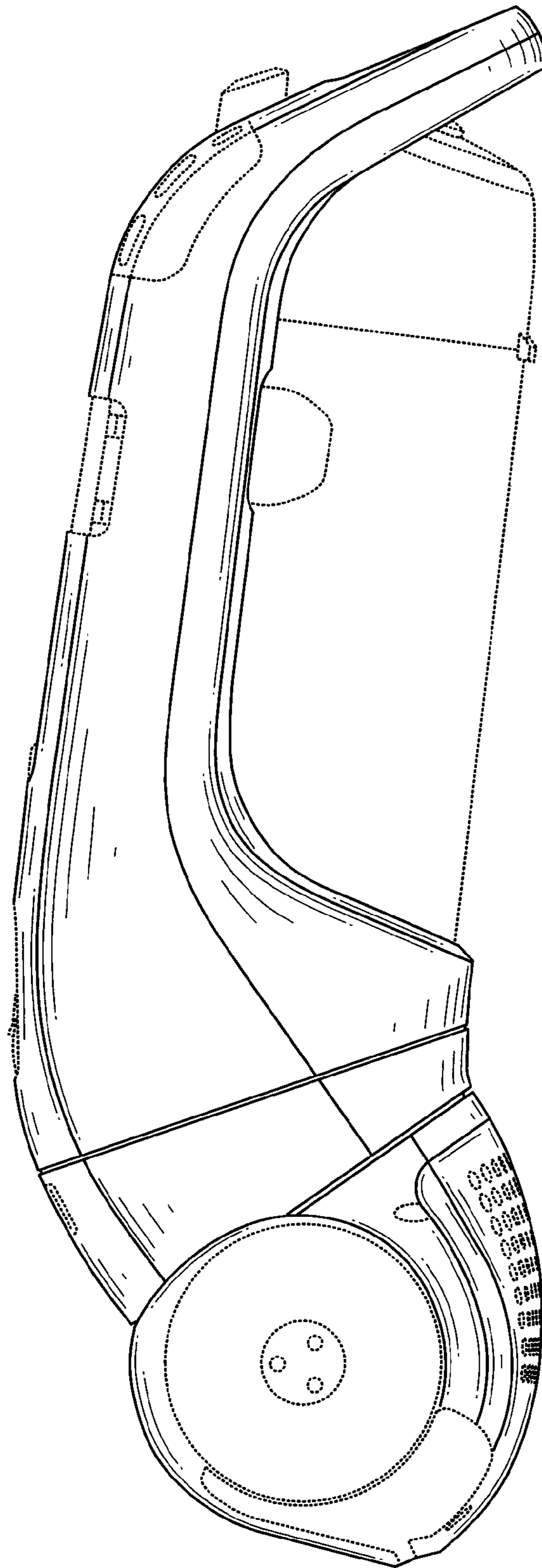


FIG. 3

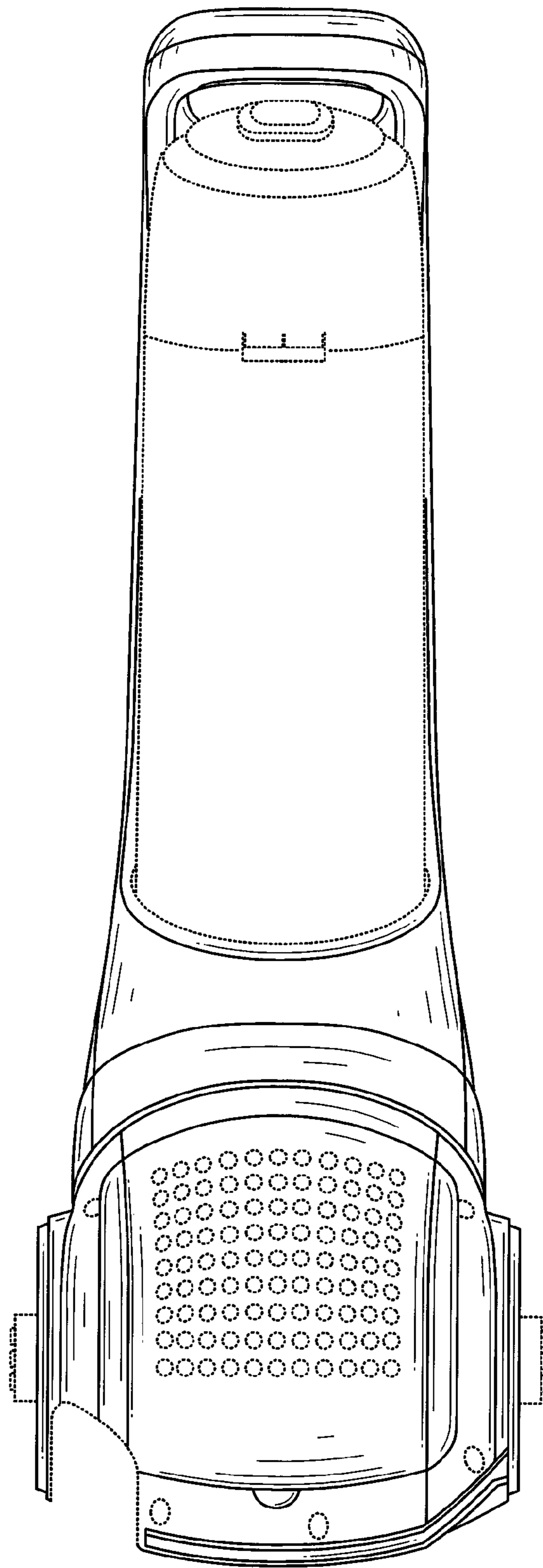


FIG. 4

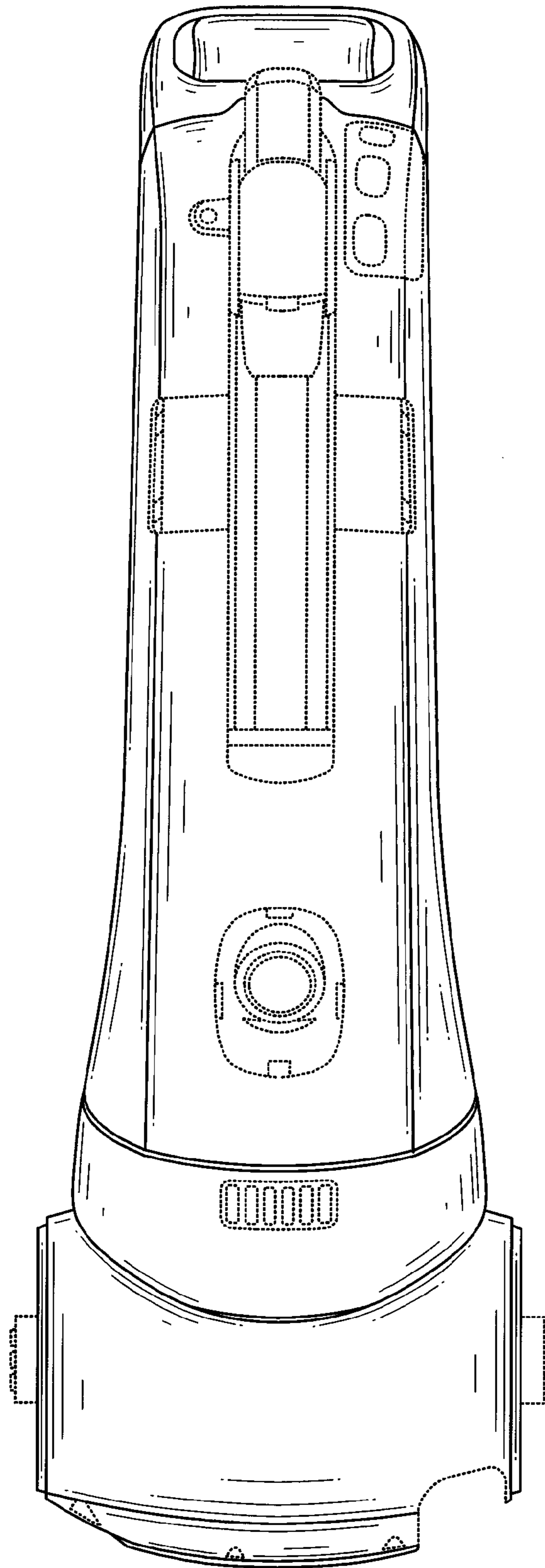


FIG. 5

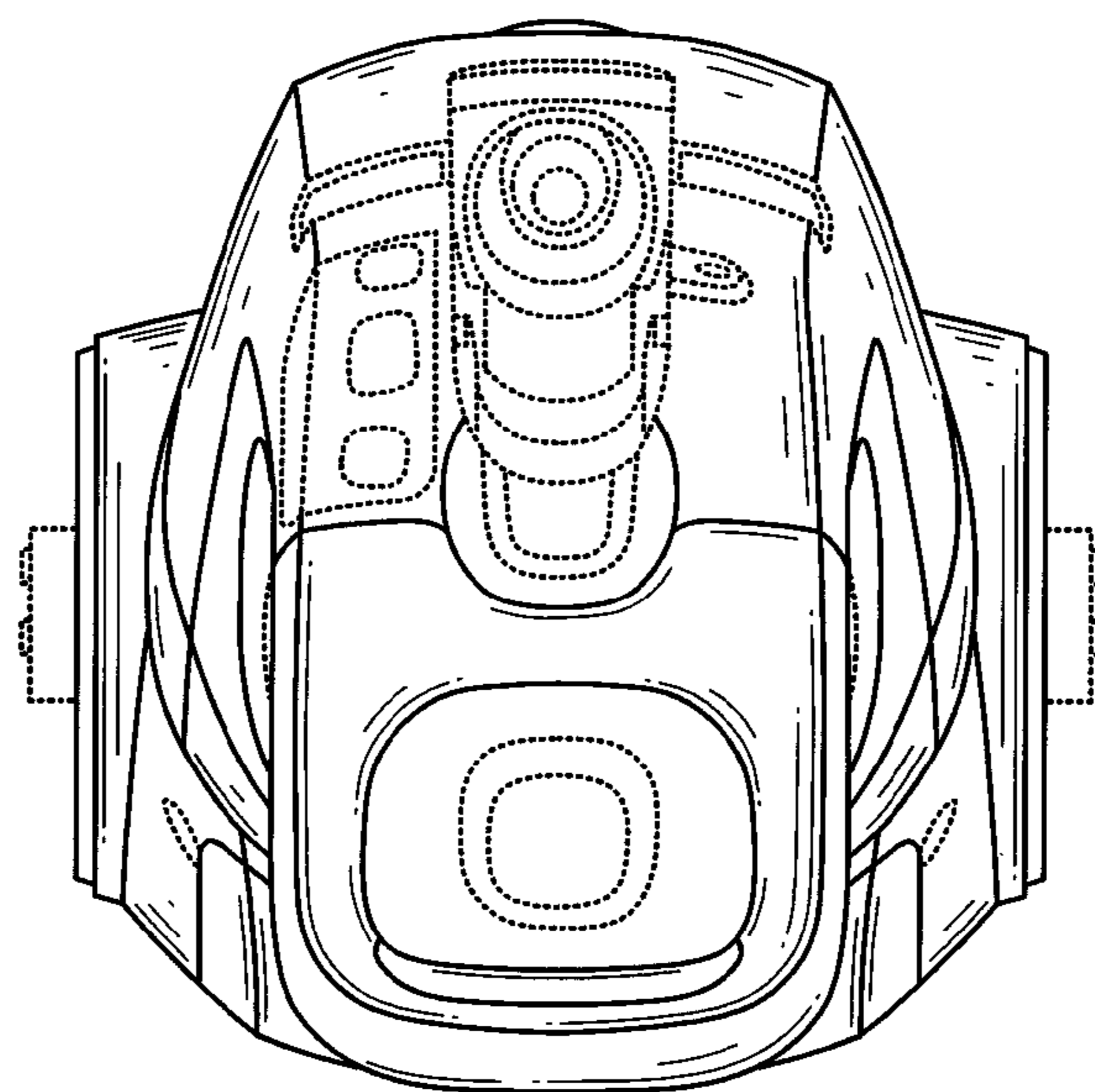


FIG. 6

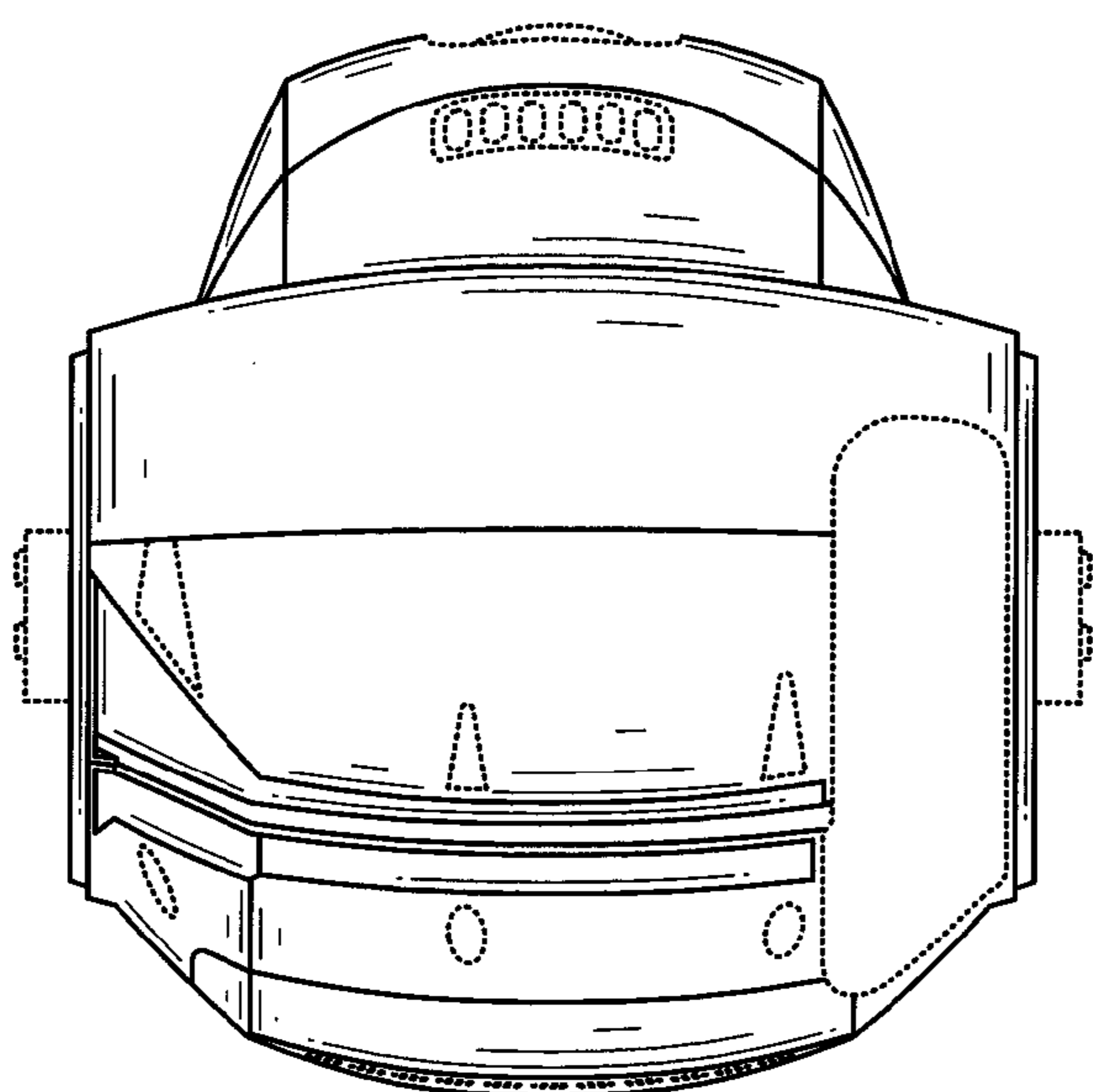


FIG. 7

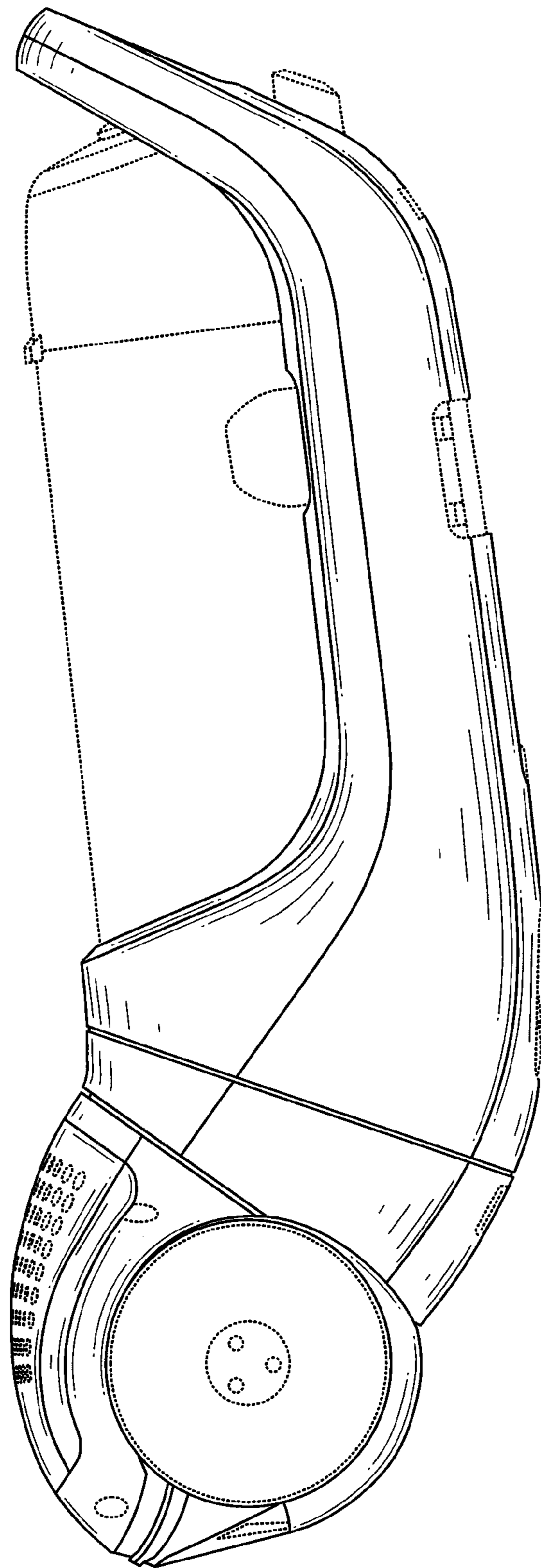


FIG. 8