



US00D647261S

(12) **United States Design Patent**
Schultz et al.

(10) **Patent No.:** **US D647,261 S**
(45) **Date of Patent:** **** Oct. 18, 2011**

(54) **COMBINED WET/DRY VACUUM CLEANER WITH ONBOARD TOOL STORAGE AND INTEGRATED DUSTPAN ACCESSORY**

(75) Inventors: **Douglas Schultz**, Glen Carbon, IL (US);
Douglas K. Ritterling, Chesterfield, MO (US);
Shane Glasgow, St. Ann, MO (US)

(73) Assignee: **Emerson Electric Co.**, St. Louis, MO (US)

(**) Term: **14 Years**

(21) Appl. No.: **29/379,165**

(22) Filed: **Nov. 16, 2010**

(51) **LOC (9) Cl.** **15-05**

(52) **U.S. Cl.** **D32/21**

(58) **Field of Classification Search** D32/21-24,
D32/31; 15/327.1-327.7, 329, 412, 320-321;
55/DIG. 3, 345, 357, 429, 271; 95/271
See application file for complete search history.

(56) **References Cited**

U.S. PATENT DOCUMENTS

2,920,337	A	1/1960	Smith	
3,721,071	A	3/1973	Mueller et al.	
4,222,145	A	9/1980	Lowder	
4,226,000	A	10/1980	Tribolet	
4,463,474	A	8/1984	Jacobs	
4,640,521	A	2/1987	Berfield	
4,704,764	A	11/1987	Metelko	
D304,251	S *	10/1989	Purkapile	D32/21
4,888,849	A	12/1989	Hult et al.	
D325,453	S *	4/1992	Tsuge	D32/21
5,144,716	A	9/1992	Watanabe et al.	
5,146,647	A	9/1992	Blase et al.	
5,237,720	A	8/1993	Blase et al.	
5,313,686	A	5/1994	Berfield	
D352,146	S *	11/1994	Wulff	D32/24
5,373,606	A	12/1994	Bosyj et al.	
5,528,794	A	6/1996	Tomasiak	
5,598,605	A	2/1997	Tomasiak	

5,606,769	A	3/1997	Tomasiak et al.	
5,611,107	A	3/1997	Tomasiak et al.	
D386,842	S *	11/1997	Hoshino et al.	D32/21
5,924,165	A	7/1999	Gierer et al.	
5,971,497	A	10/1999	Lee	
D422,764	S	4/2000	Wood	
D426,355	S	6/2000	Rohn et al.	
6,098,241	A	8/2000	Wood	
6,170,118	B1	1/2001	McIntyre et al.	
D438,353	S	2/2001	Hoshino et al.	
6,219,880	B1	4/2001	Worden et al.	
6,230,361	B1	5/2001	Griffin	
6,237,187	B1	5/2001	Hult et al.	
D446,892	S	8/2001	Griffin	
D447,292	S	8/2001	Griffin	
D447,293	S	8/2001	Griffin	
D447,609	S	9/2001	Hult et al.	

(Continued)

Primary Examiner — Ruth McInroy

(74) *Attorney, Agent, or Firm* — Locke Lord Bissell & Liddell LLP

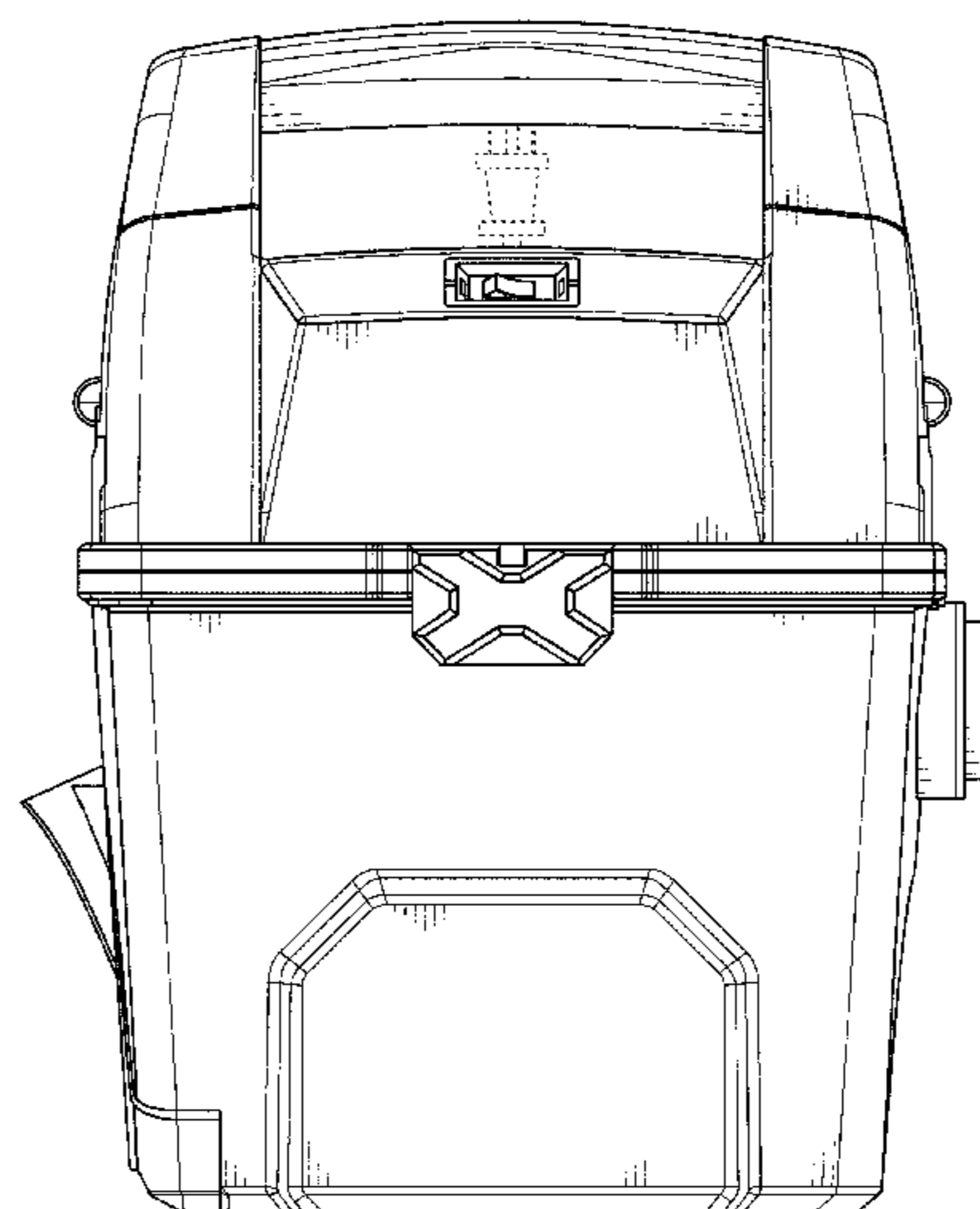
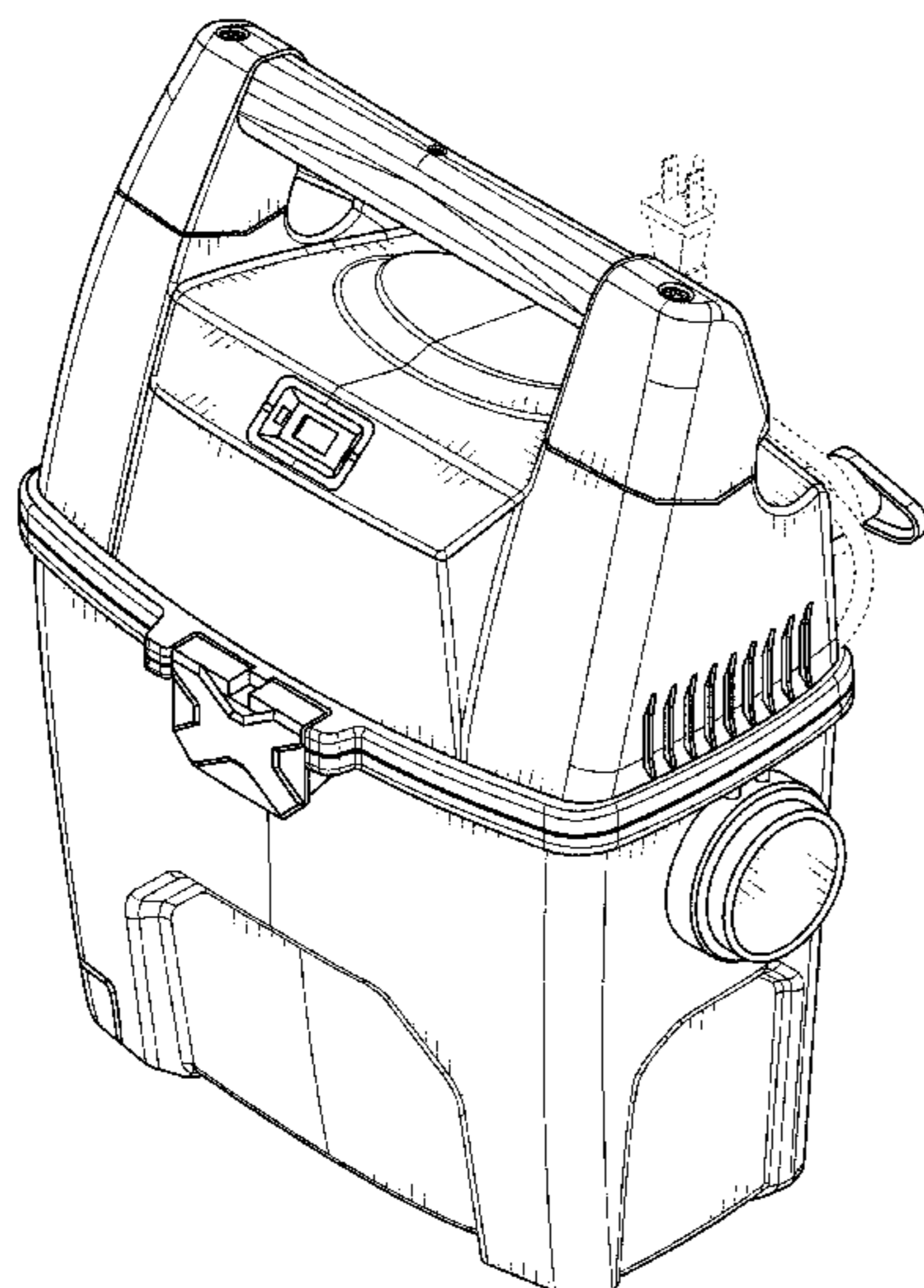
(57) **CLAIM**

We claim the ornamental design for a combined wet/dry vacuum cleaner with onboard tool storage and integrated dustpan accessory, as shown and described.

DESCRIPTION

FIG. 1 is a front perspective view of a combined wet/dry vacuum cleaner with onboard tool storage and integrated dustpan accessory showing our new design; FIG. 2 is a front elevational view thereof; FIG. 3 is a rear elevational view thereof; FIG. 4 is a side thereof; FIG. 5 is a side view showing the side opposite that shown in FIG. 4; FIG. 6 is a top view thereof; and, FIG. 7 is a bottom view thereof. The broken lines in the Figures are for the purpose of illustrating exemplary environmental structure and forms no part of the claimed design.

1 Claim, 6 Drawing Sheets



US D647,261 S

Page 2

U.S. PATENT DOCUMENTS

D447,842 S	9/2001	Griffin	
D447,843 S	9/2001	Griffin	
D452,052 S	12/2001	Griffin	
D454,672 S	3/2002	Griffin	
6,378,165 B1	4/2002	Holsten et al.	
6,484,348 B1	11/2002	Paterson et al.	
6,494,544 B1	12/2002	Berfield et al.	
6,530,116 B2	3/2003	Berfield et al.	
6,543,085 B2	4/2003	Holsten et al.	
D496,504 S *	9/2004	Peters D32/24
D496,764 S *	9/2004	Lopano D32/21
6,832,408 B2	12/2004	Roney et al.	
D506,042 S	6/2005	Griffin et al.	
D507,386 S	7/2005	Griffin et al.	
6,938,299 B2	9/2005	Martinez et al.	
7,159,272 B2	1/2007	Holsten et al.	
D537,579 S *	2/2007	Zimmerle et al. D32/21
D537,581 S *	2/2007	Zimmerle et al. D32/21
D537,992 S *	3/2007	Hoshino D32/24
7,237,300 B2	7/2007	Tomasiak et al.	
D549,904 S *	8/2007	Eccardt et al. D32/21
7,263,742 B2	9/2007	Valentini	
7,284,297 B2	10/2007	Shanor et al.	
7,287,301 B2	10/2007	Marshall et al.	
D565,269 S	3/2008	Tomasiak et al.	
D581,609 S *	11/2008	Conrad et al. D32/21
2007/0000815 A1	1/2007	Nurudeen	
2008/0115307 A1	5/2008	Phelan et al.	
2008/0189898 A1	8/2008	Hughes	
2010/0132151 A1	6/2010	Khalil et al.	

* cited by examiner

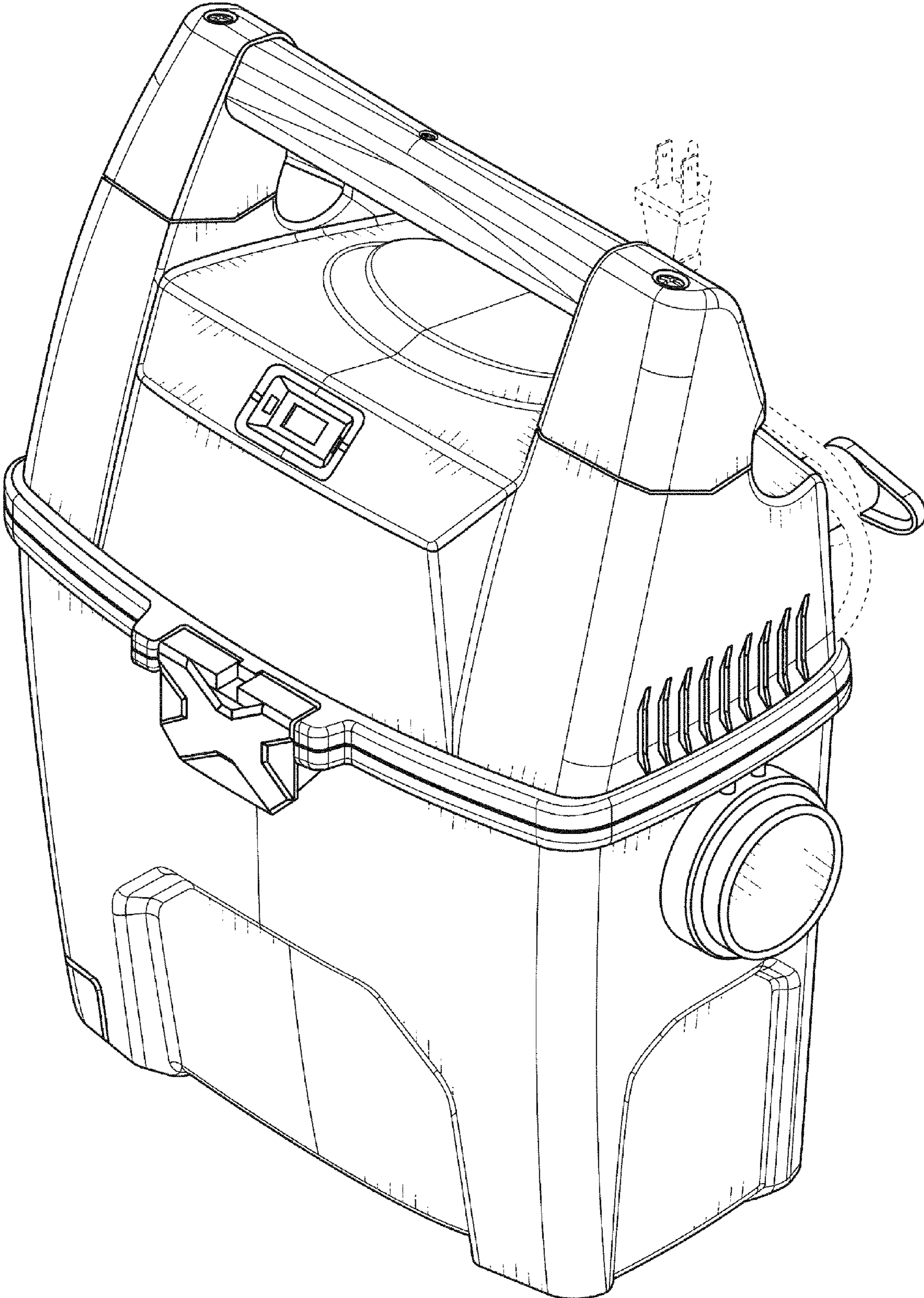


FIG. 1

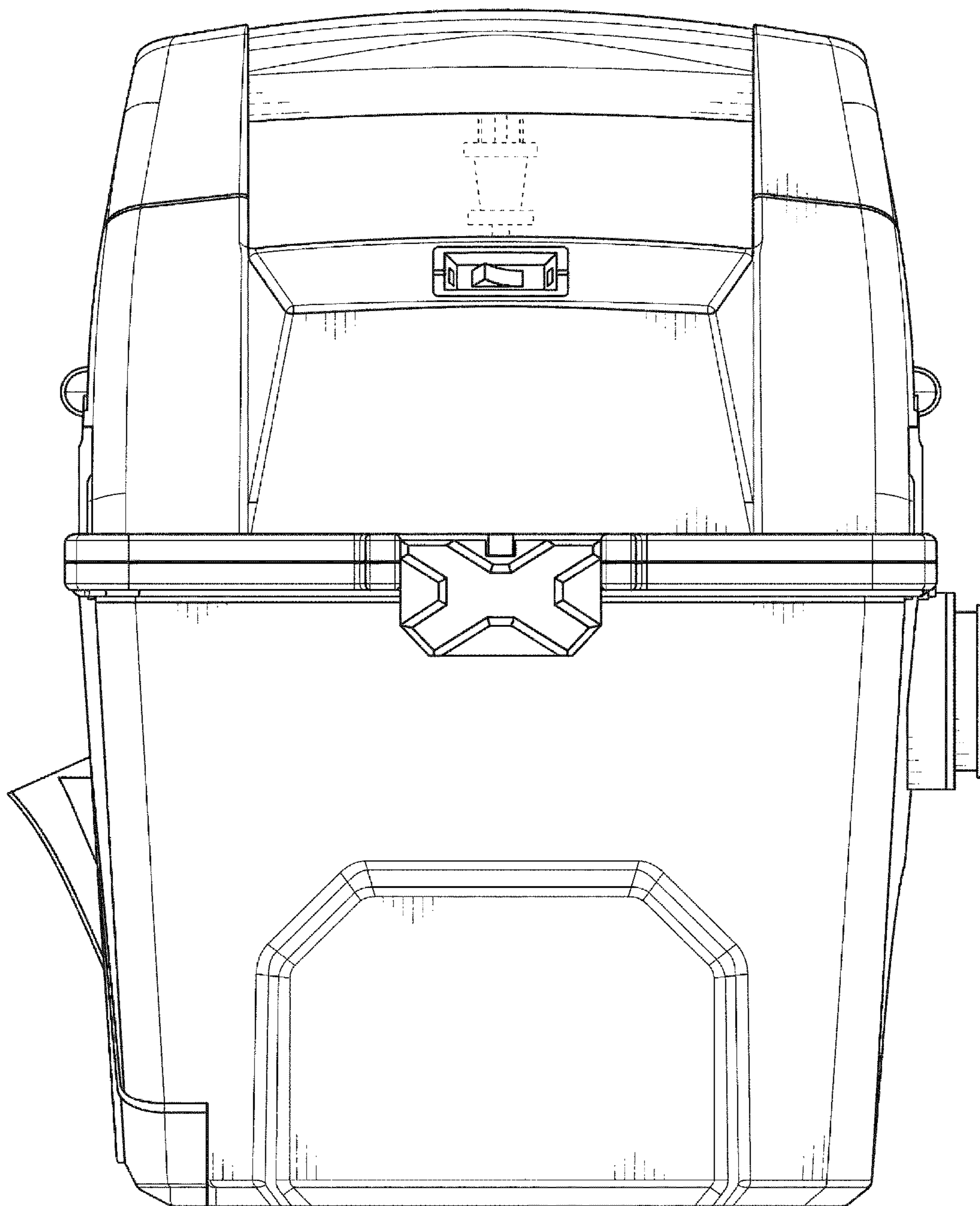


FIG. 2

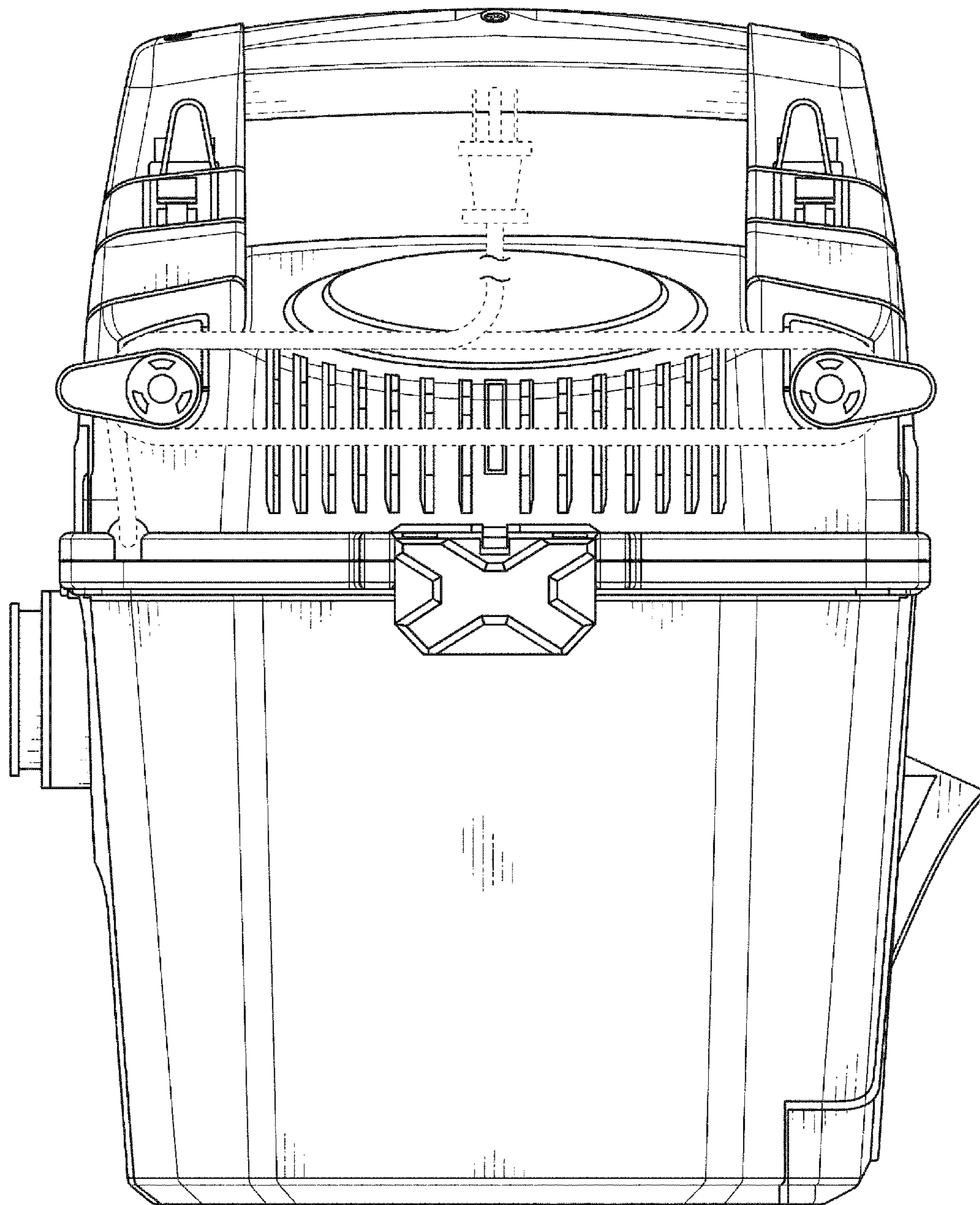


FIG. 3

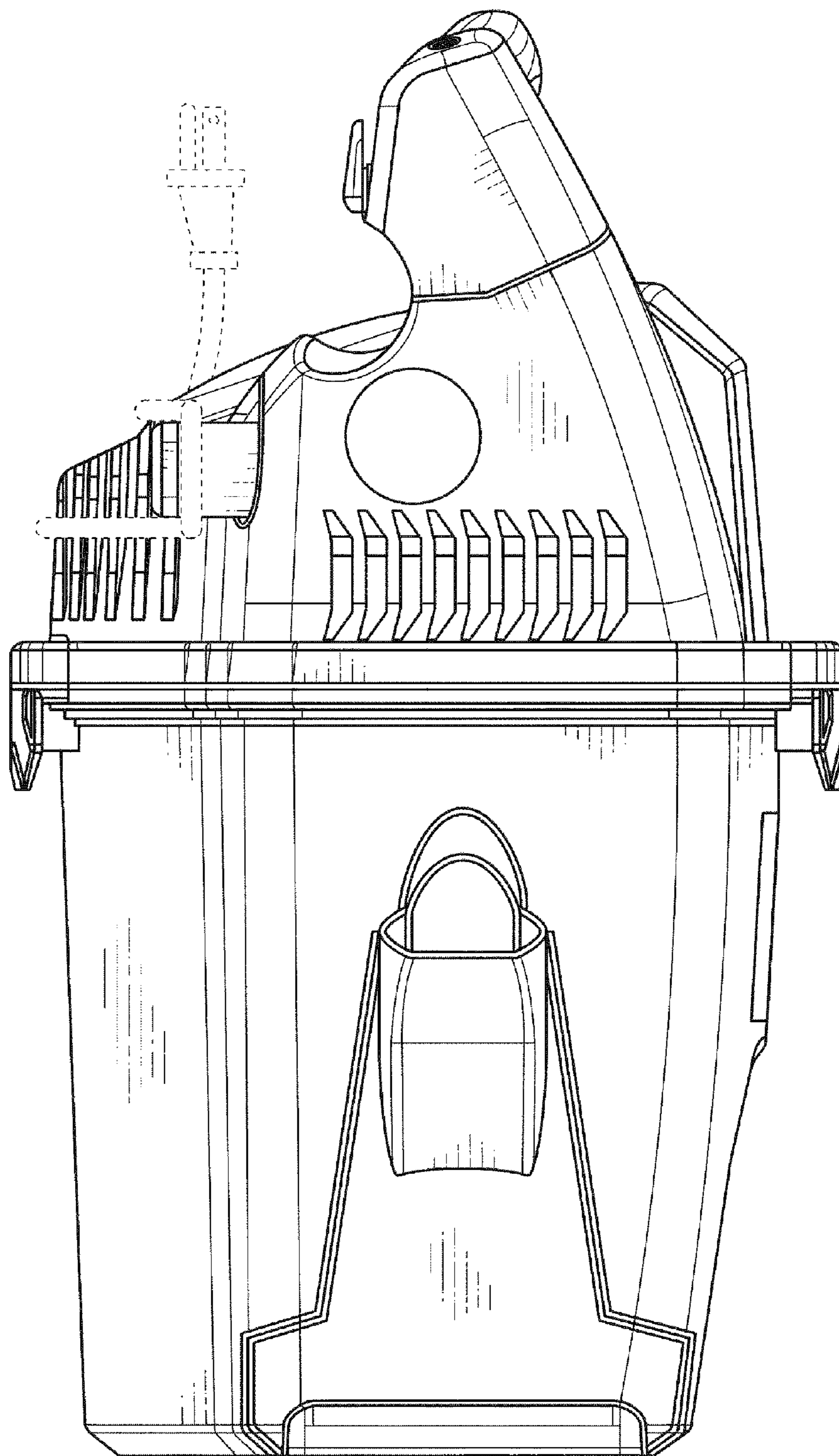


FIG. 4

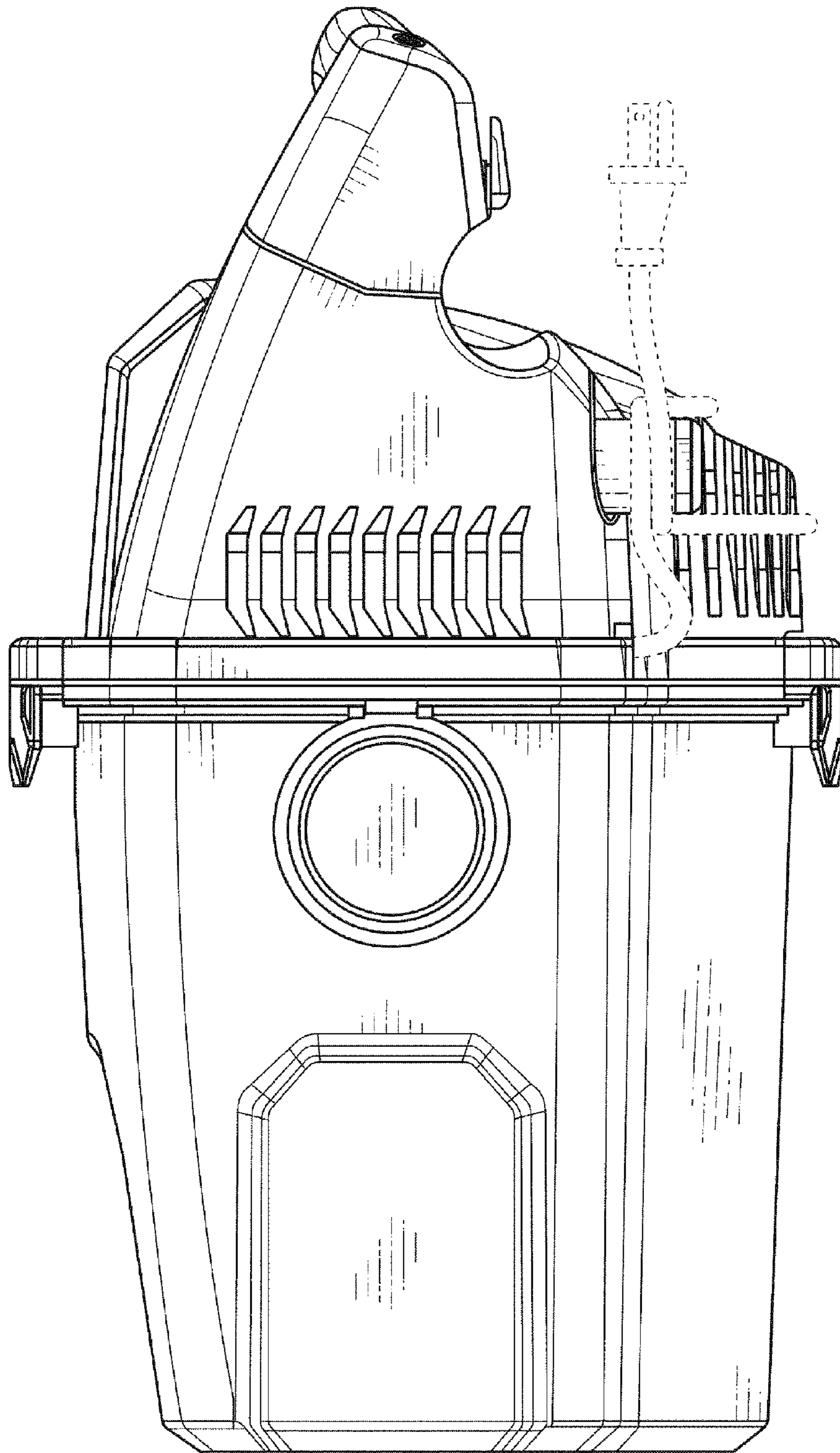


FIG. 5

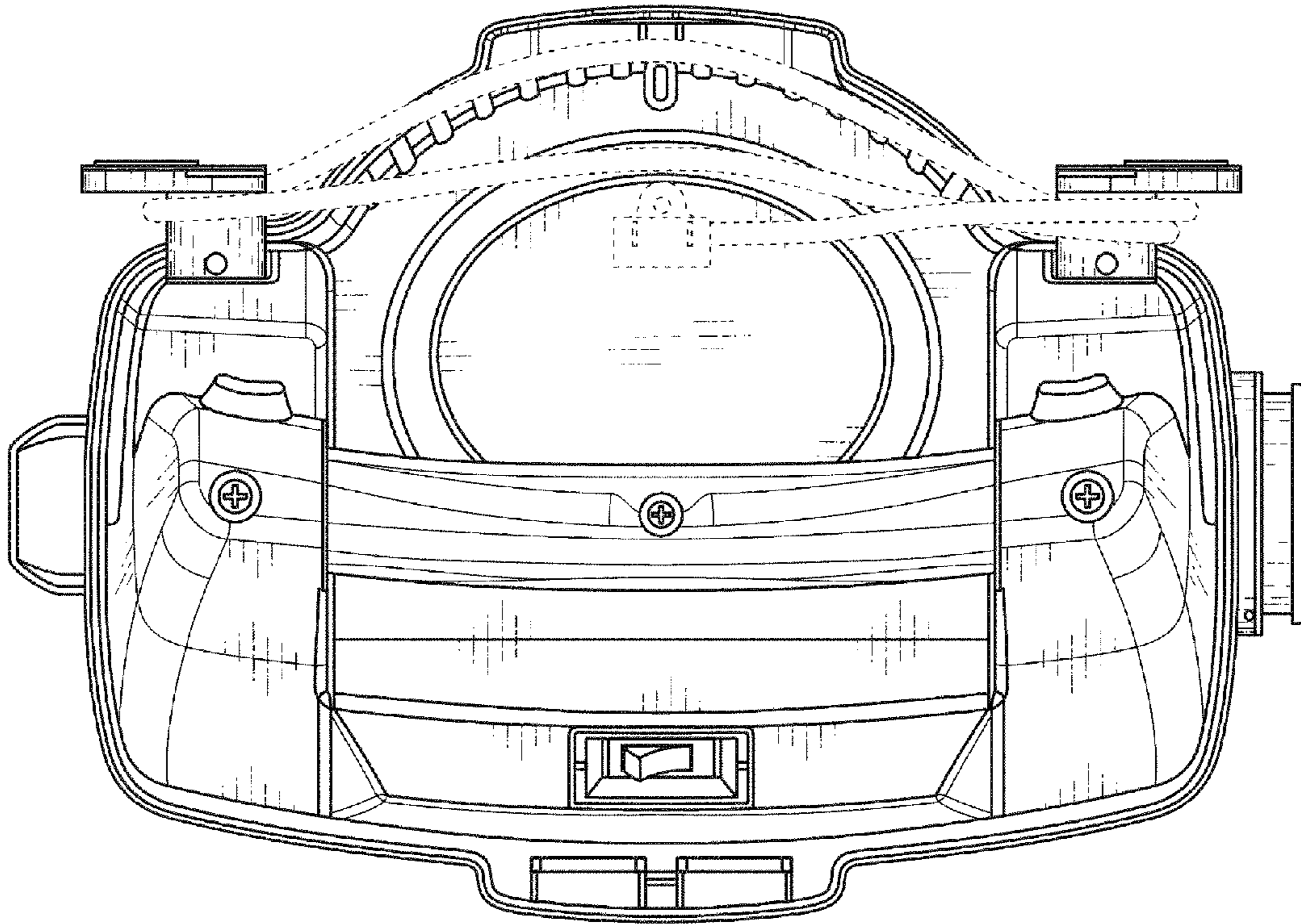


FIG. 6

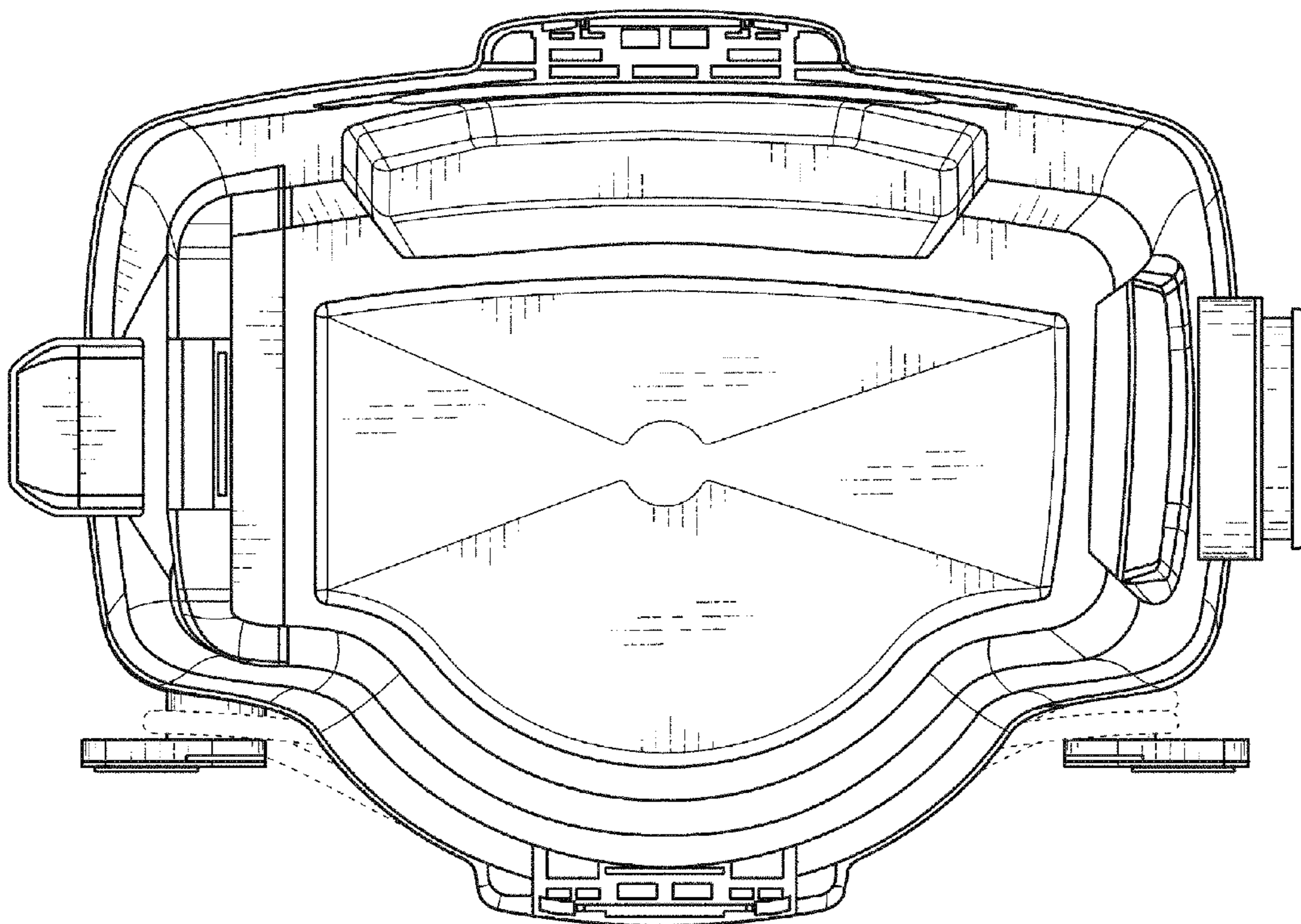


FIG. 7