



US00D647257S

(12) **United States Design Patent**  
**Alexander et al.**

(10) **Patent No.:** **US D647,257 S**

(45) **Date of Patent:** **\*\* Oct. 18, 2011**

(54) **PRESSURE WASHER**

(75) Inventors: **Gus Alexander**, Inverness, IL (US);  
**Ryan D Sherwood**, Chicago, IL (US);  
**Christopher C Alexander**, Chicago, IL  
(US); **William N Alexander**, Inverness,  
IL (US)

(73) Assignee: **FNA IP Holdings, Inc.**, Elk Grove  
Village, IL (US)

(\*\*) Term: **14 Years**

(21) Appl. No.: **29/366,366**

(22) Filed: **Jul. 23, 2010**

(51) **LOC (9) Cl.** ..... **15-05**

(52) **U.S. Cl.** ..... **D32/15**

(58) **Field of Classification Search** ..... D32/15-16,  
D32/1, 17-18, 21; D23/225; 15/315, 320-321,  
15/340.1, 344-345, 412, 414-415.1; 239/146-149,  
239/525, 722; 417/360, 364

See application file for complete search history.

(56) **References Cited**

U.S. PATENT DOCUMENTS

D338,292 S *	8/1993	Schmitz et al.	.....	D32/21
D368,993 S *	4/1996	Stutzer et al.	.....	D32/21
D381,779 S *	7/1997	Pritchett et al.	.....	D32/21
D488,596 S *	4/2004	Cattaneo	.....	D32/15
D489,497 S *	5/2004	Cattaneo	.....	D32/15
D489,498 S *	5/2004	Cattaneo	.....	D32/15
D490,948 S *	6/2004	Cattaneo	.....	D32/15
D551,813 S *	9/2007	Renner	.....	D32/15

D551,814 S *	9/2007	Renner	.....	D32/15
D556,959 S *	12/2007	Li	.....	D32/15
D559,481 S *	1/2008	Renner	.....	D32/15
D560,046 S *	1/2008	Renner	.....	D32/15
D564,147 S *	3/2008	Li	.....	D32/15
D568,557 S *	5/2008	Alexander	.....	D32/15
D570,060 S *	5/2008	Renner et al.	.....	D32/15
D591,014 S *	4/2009	Li	.....	D32/15
D614,822 S *	4/2010	Gebhardt et al.	.....	D32/21
2005/0189437 A1 *	9/2005	Alexander et al.	.....	239/332

\* cited by examiner

*Primary Examiner* — T. Chase Nelson

*Assistant Examiner* — Kathleen M Sims

(74) *Attorney, Agent, or Firm* — Cook Alex Ltd.

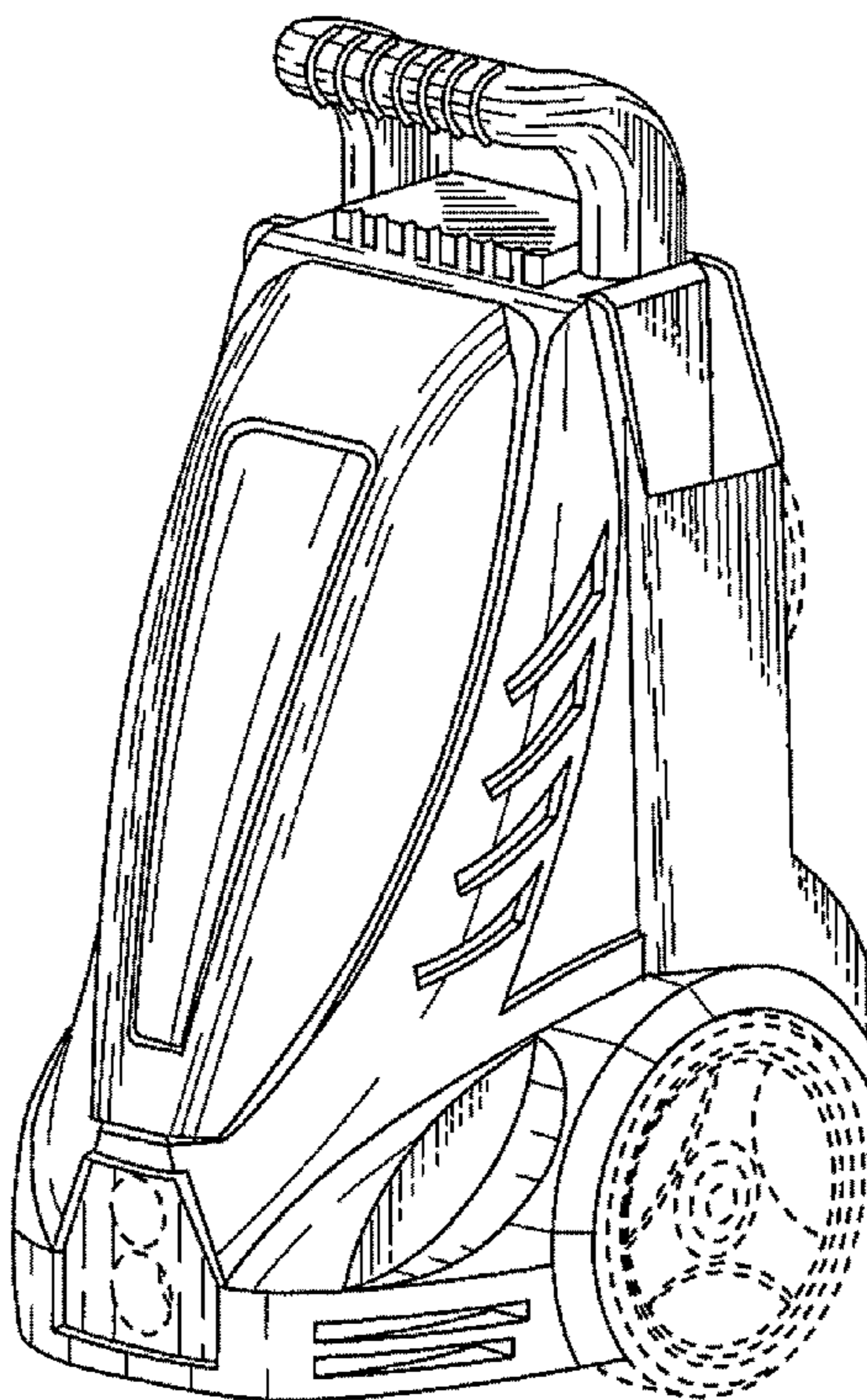
(57) **CLAIM**

The ornamental design for a pressure washer, as shown and described.

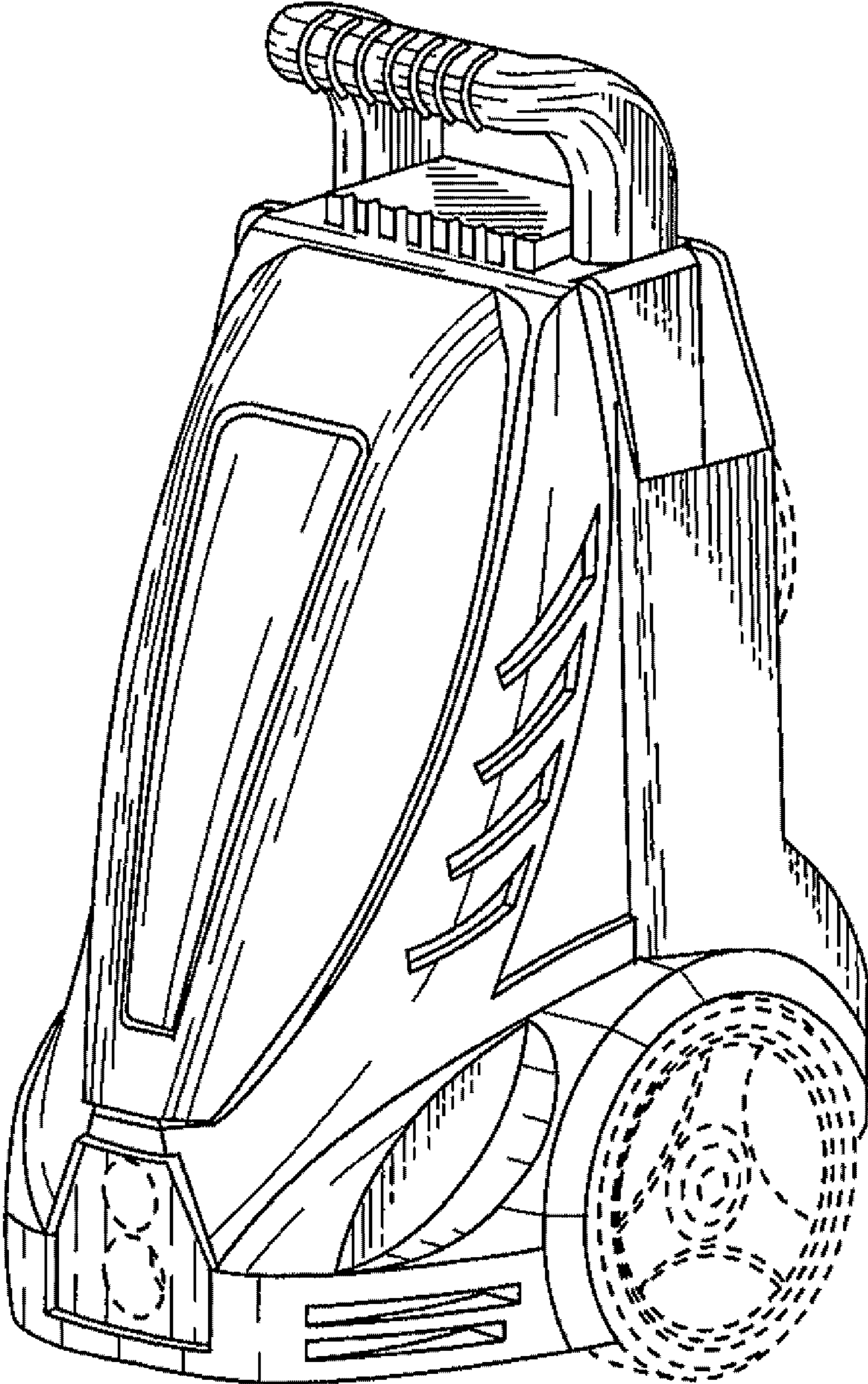
**DESCRIPTION**

FIG. 1 is a perspective view of a pressure washer;  
FIG. 2 is a front elevation view thereof;  
FIG. 3 is a rear elevation view thereof;  
FIG. 4 is a right side elevation view thereof;  
FIG. 5 is a left side elevation view thereof;  
FIG. 6 is a top plan view thereof; and,  
FIG. 7 is a bottom plan view thereof.  
The broken lines in FIGS. 1-7 are for illustrative purposes  
only and form no part of the claimed design.

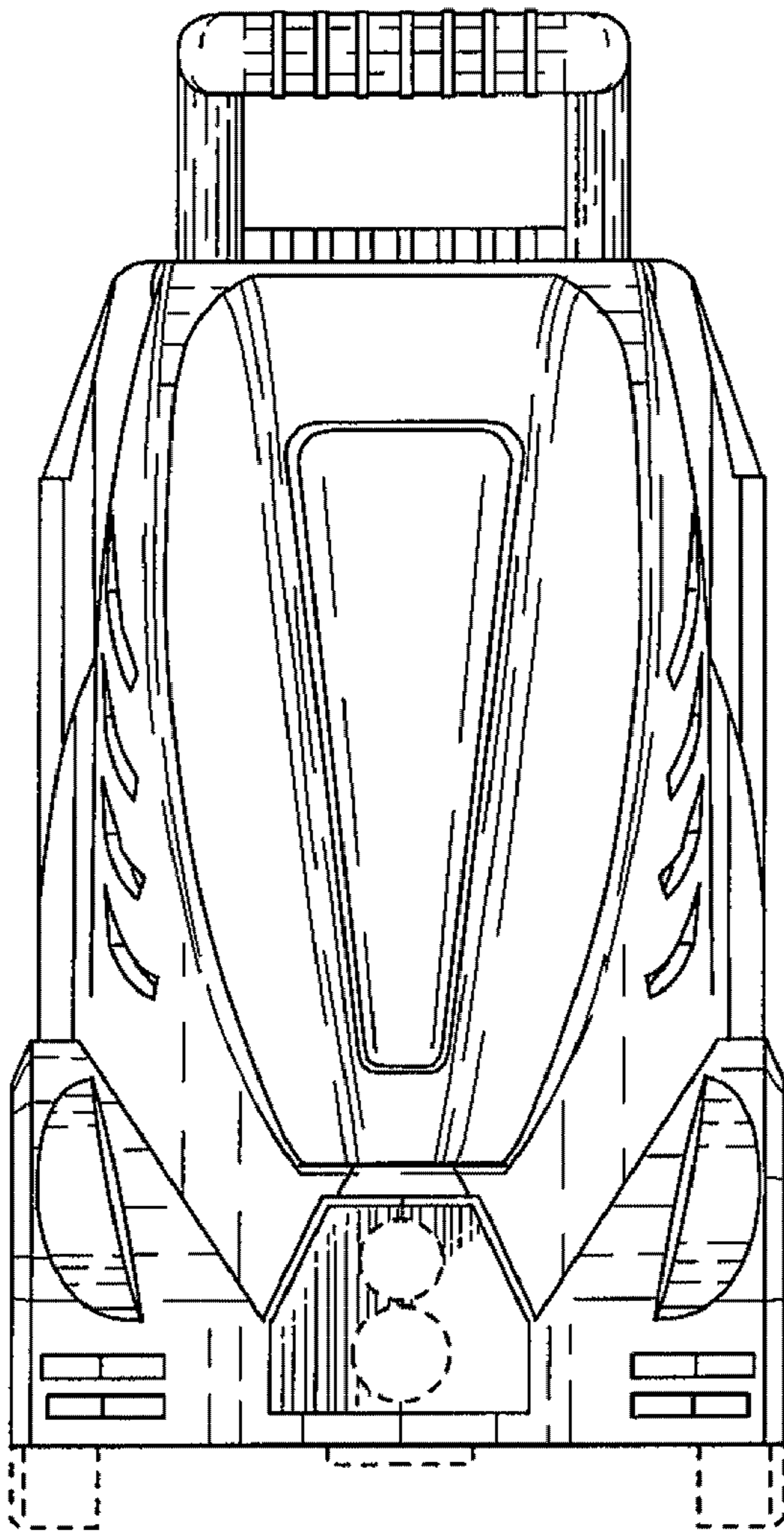
**1 Claim, 4 Drawing Sheets**



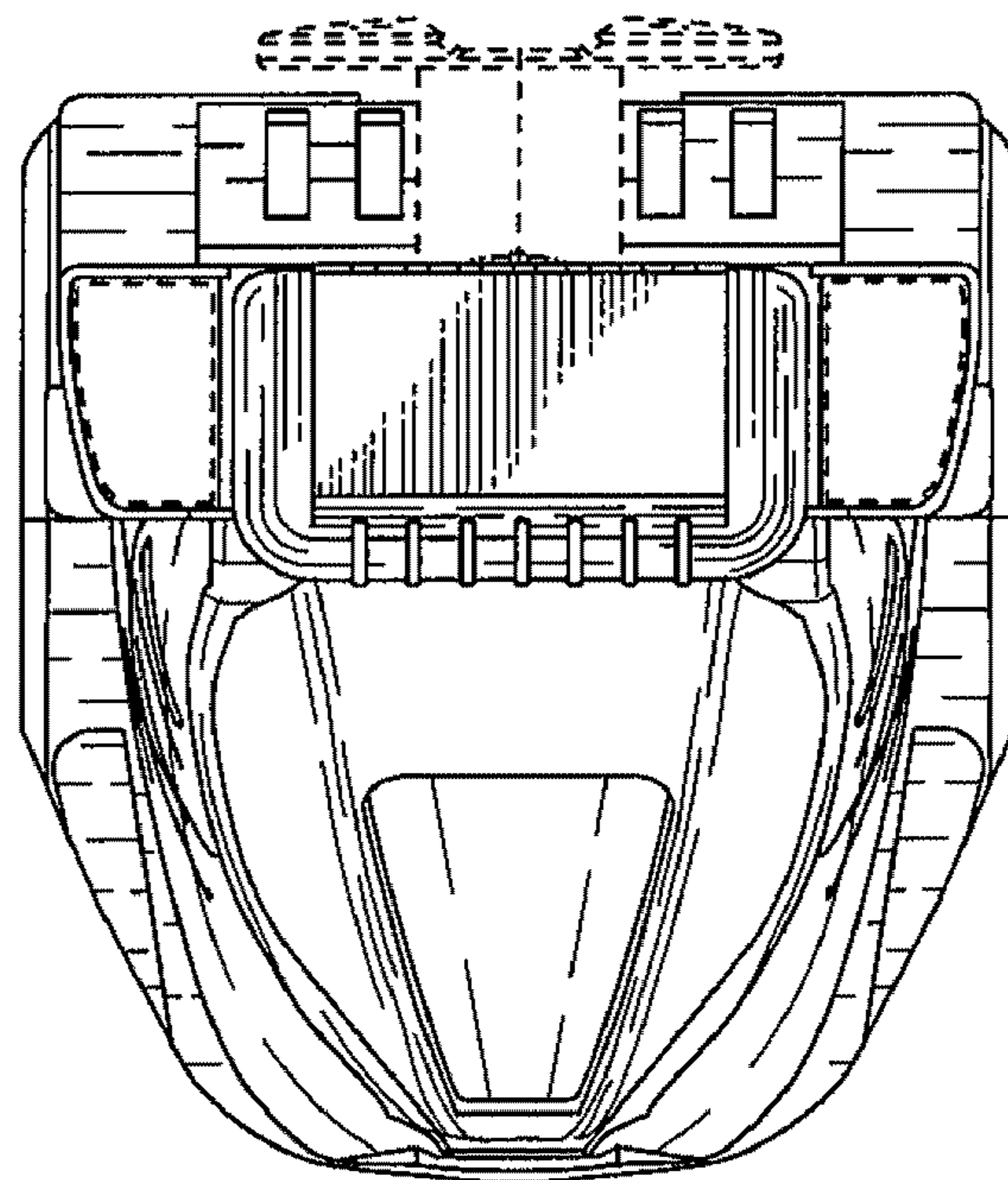
*Fig. 1*



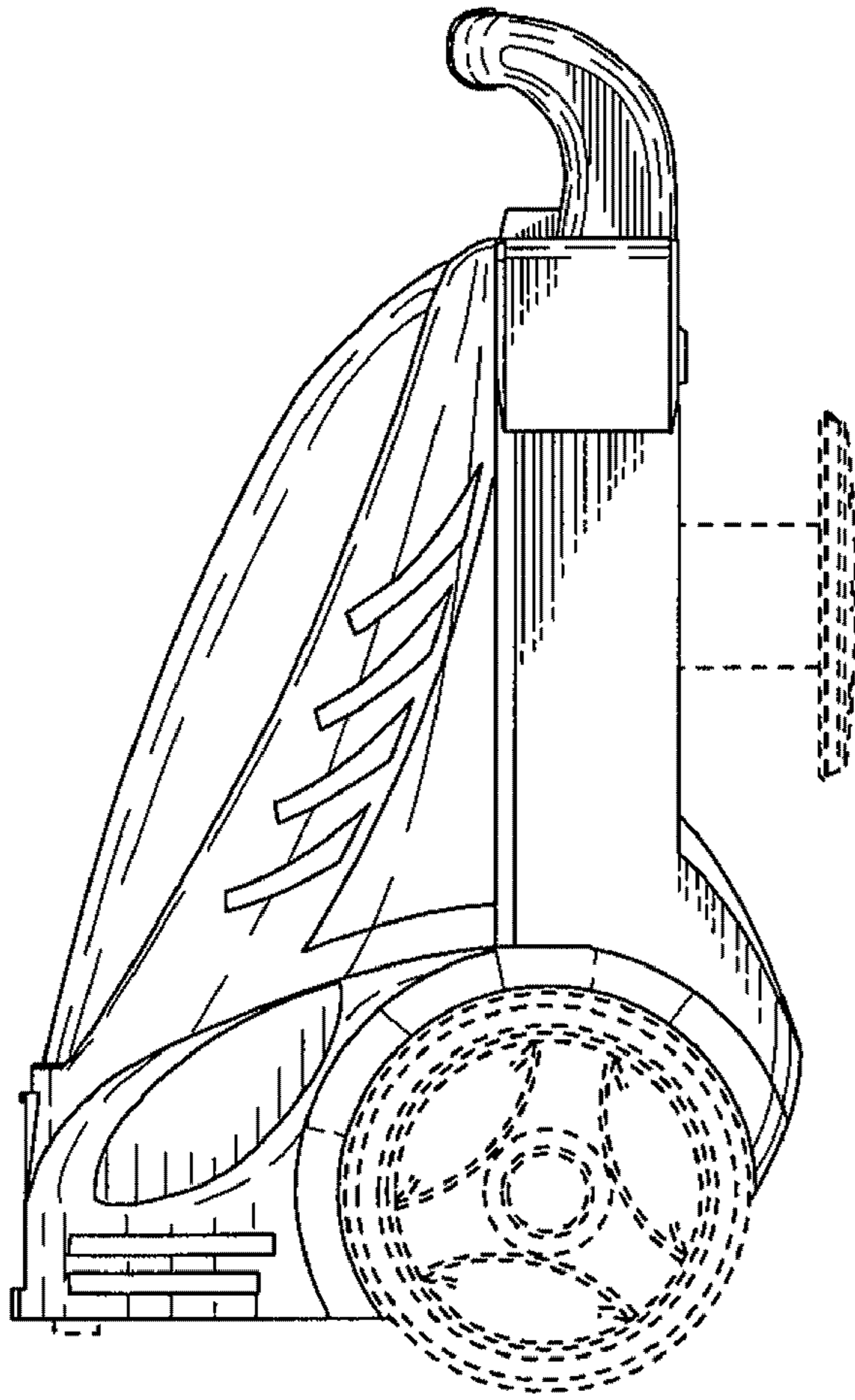




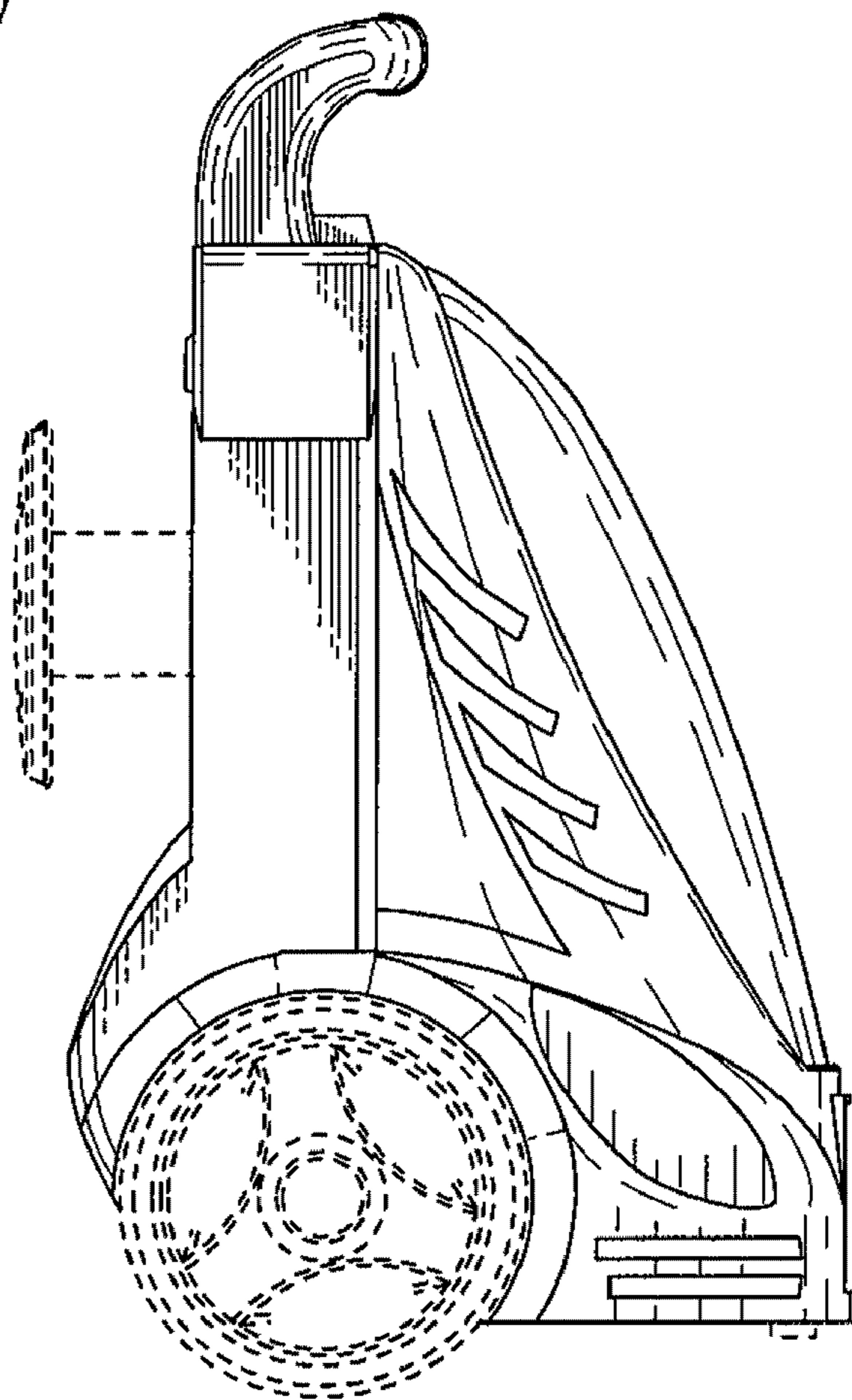
*Fig. 2*



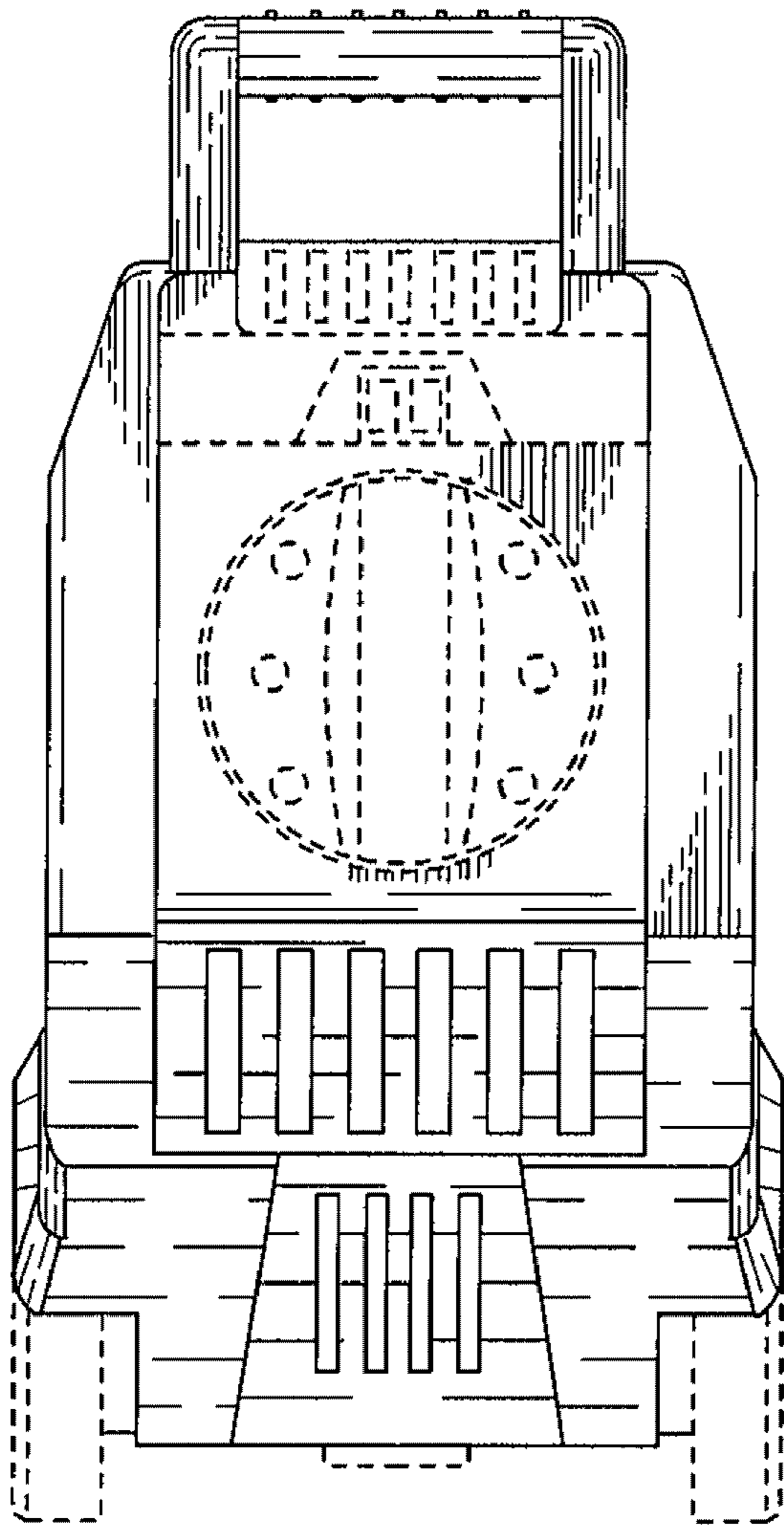
*Fig. 3*



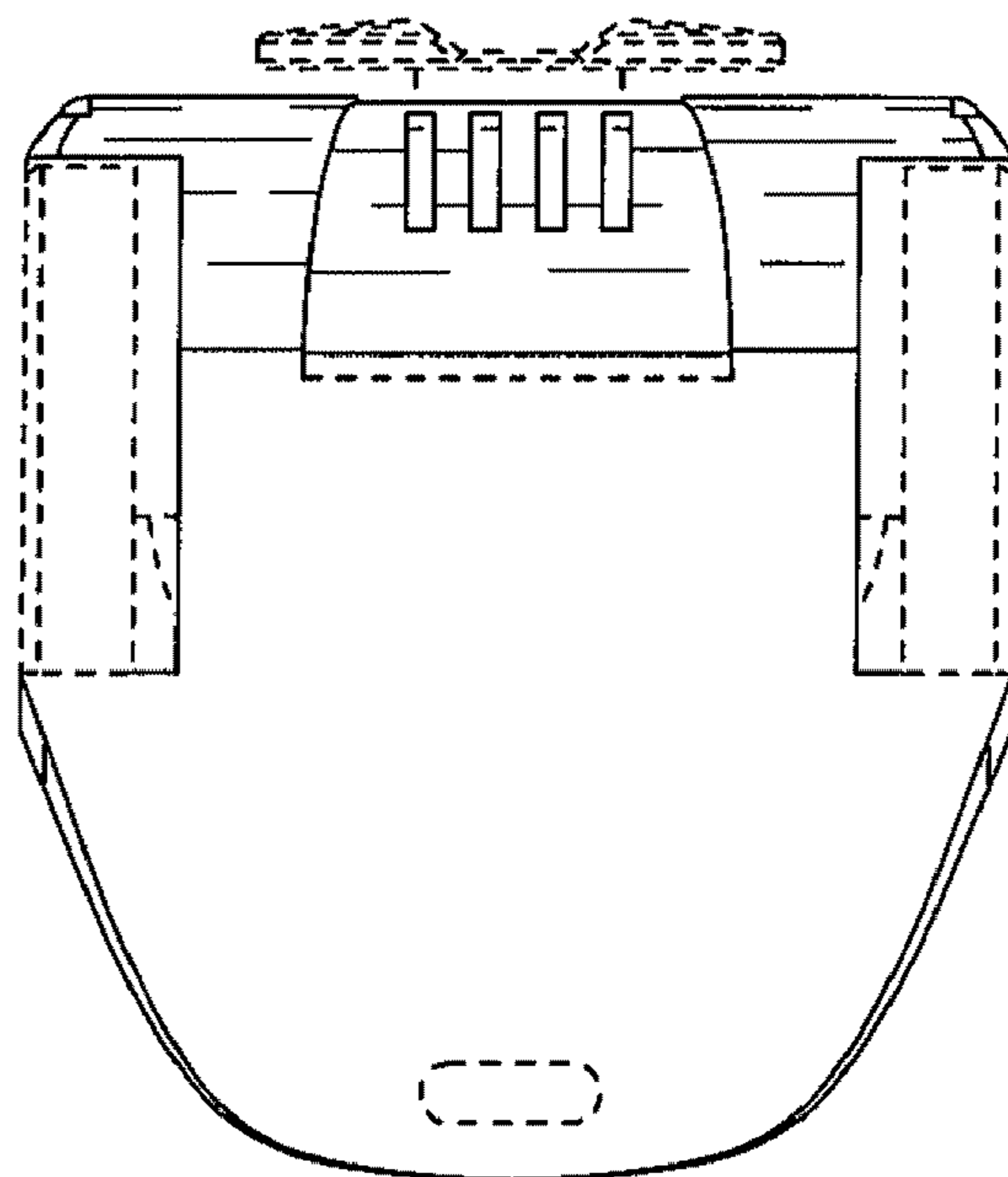
*Fig. 4*



*Fig. 5*



*Fig. 6*



*Fig. 7*