

US00D647254S

(12) **United States Design Patent**
Black

(10) **Patent No.:** **US D647,254 S**

(45) **Date of Patent:** **** Oct. 18, 2011**

(54) **BIRD FEEDER**

(75) Inventor: **Derek James Black**, York (GB)

(73) Assignee: **Cranswick Pet and Aquatics Limited**,
Drifffield, East Yorkshire (GB)

(**) Term: **14 Years**

(21) Appl. No.: **29/369,435**

(22) Filed: **Sep. 8, 2010**

(30) **Foreign Application Priority Data**

Mar. 10, 2010 (GB) 4014899

(51) **LOC (9) Cl.** **30-03**

(52) **U.S. Cl.** **D30/128; D30/127**

(58) **Field of Classification Search** D30/124,
D30/128, 127, 121, 133, 119, 160, 199; 362/122,
362/227, 249.15, 249.16, 249.18, 806; 211/23,
211/85.31, 88.03; 119/51.03, 710, 711, 124,
119/51.04, 52.3, 57.9, 464, 57.8, 707, 709;
43/2, 131; 47/86, 65, 65.5, 67, 39, 41.12,
47/79; 426/1, 439, 556; D11/121, 120;
D7/352, 356; 428/10, 18, 27; 99/372, 377,
99/403; 156/256, 263; 66/170; 248/175,
248/27.8; 425/318, 395, 404

See application file for complete search history.

(56) **References Cited**

U.S. PATENT DOCUMENTS

137,142 A * 3/1873 Machlet 99/403
1,593,450 A * 7/1926 Heaven 47/41.12
1,594,592 A * 8/1926 Birum, Sr. 47/41.12
1,611,589 A * 12/1926 Janusek 428/27
1,617,188 A * 2/1927 Woerner 140/71 R
1,657,750 A * 1/1928 Hanson et al. 428/10
1,696,221 A * 12/1928 Tubbs 428/27
1,904,470 A * 4/1933 Kelman 428/10
3,302,327 A * 2/1967 Fant 47/41.12

3,526,992 A * 9/1970 Foster 47/41.11
D219,228 S * 11/1970 McVey D30/128
3,664,303 A * 5/1972 Baensch 119/51.03
3,709,767 A * 1/1973 Saiga 428/9
4,092,801 A * 6/1978 Schoenherr et al. 47/41.12
4,364,102 A * 12/1982 Huppert et al. 362/123
4,942,692 A * 7/1990 Colbert 47/41.12
5,052,342 A * 10/1991 Schneider 119/51.03
5,207,758 A * 5/1993 Royalty 47/41.13
5,235,780 A * 8/1993 Colbert 47/41.12
5,377,617 A * 1/1995 Harwich 119/6.5
5,414,957 A * 5/1995 Kenney 47/41.12
5,454,189 A * 10/1995 Graham et al. 47/41.12
5,503,883 A * 4/1996 Kell et al. 428/10
D426,489 S * 6/2000 Winderl D11/120
6,237,882 B1 * 5/2001 DiMuzio 248/175
D462,924 S * 9/2002 Woodson D11/120
D479,944 S * 9/2003 Hennessey D7/352
6,667,079 B1 * 12/2003 Glenn 428/10
6,685,340 B2 * 2/2004 Symonds 362/122
7,217,446 B2 * 5/2007 Moody 428/10
7,278,374 B2 * 10/2007 Mann 119/710
D609,601 S * 2/2010 Chen D11/121
2003/0058644 A1 * 3/2003 Ssymonds 362/252
2005/0005513 A1 * 1/2005 Walton 47/41.12
2007/0084412 A1 * 4/2007 Eager 119/51.03

* cited by examiner

Primary Examiner — Susan M Lee

(74) *Attorney, Agent, or Firm* — Polsinelli Shughart PC

(57) **CLAIM**

I claim the ornamental design for a bird feeder, as shown and described.

DESCRIPTION

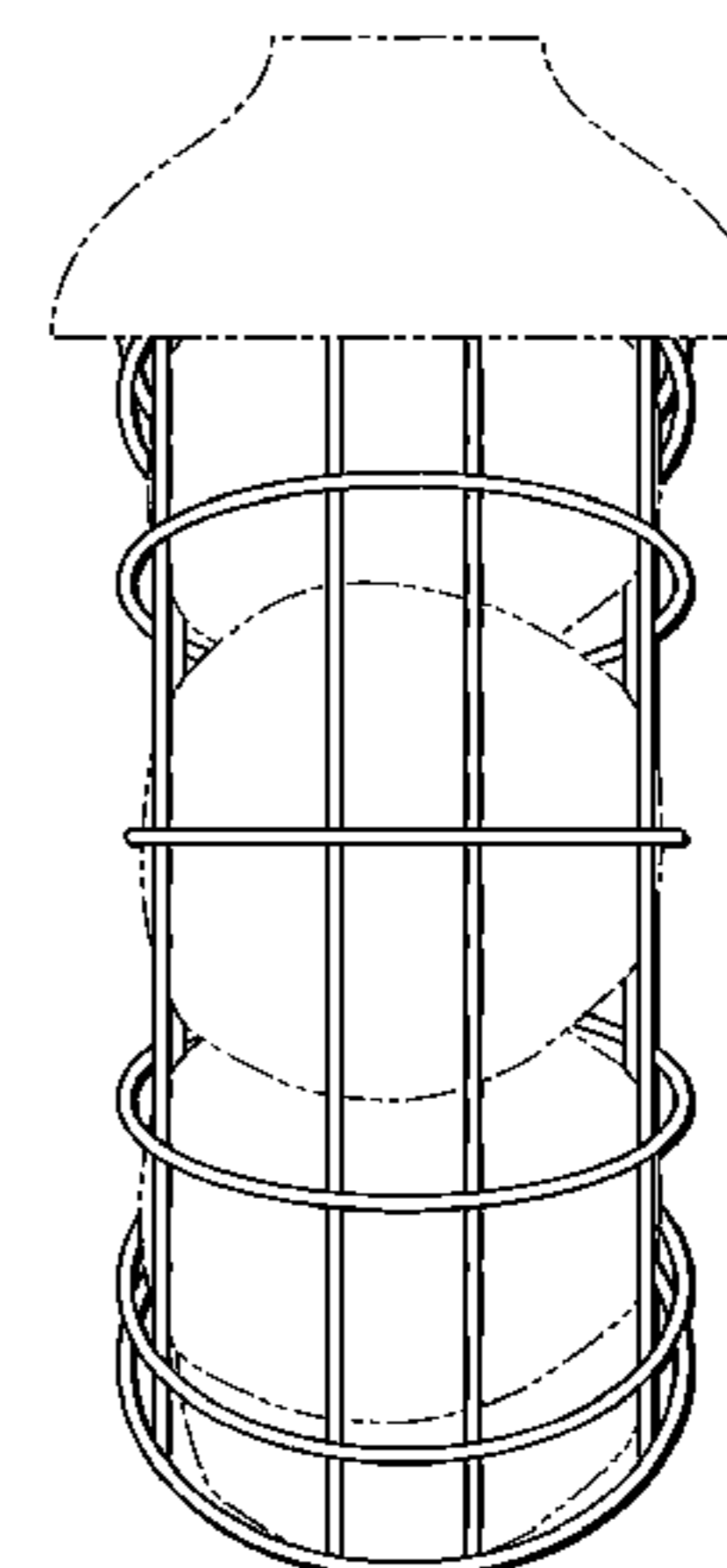
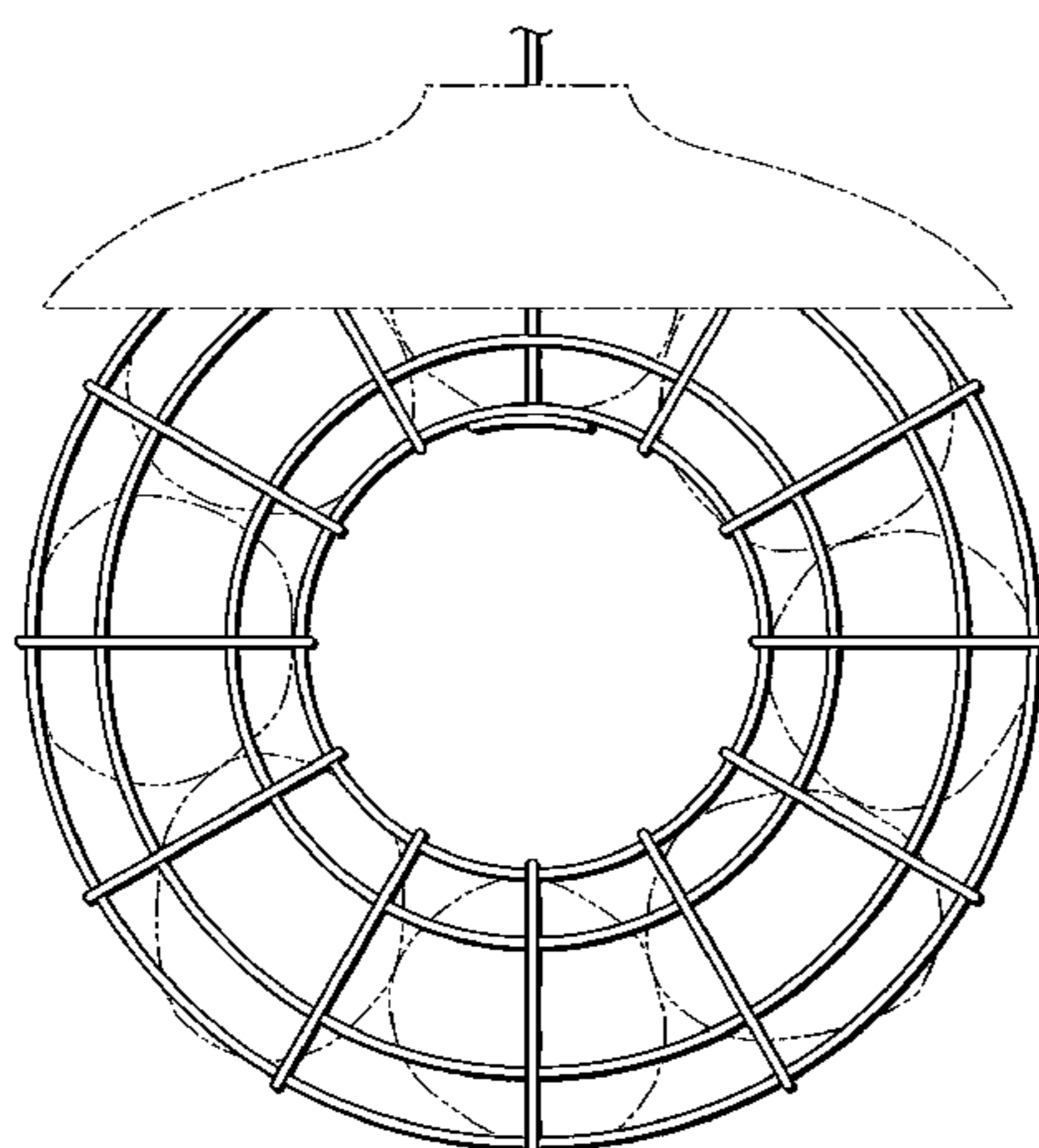
FIG. 1 is a front view of a bird feeder, the rear view being identical;

FIG. 2 is a side view of the bird feeder, the opposite side view being a mirror image thereof; and,

FIG. 3 is a bottom view thereof.

The elements depicted in broken line are not claimed.

1 Claim, 2 Drawing Sheets



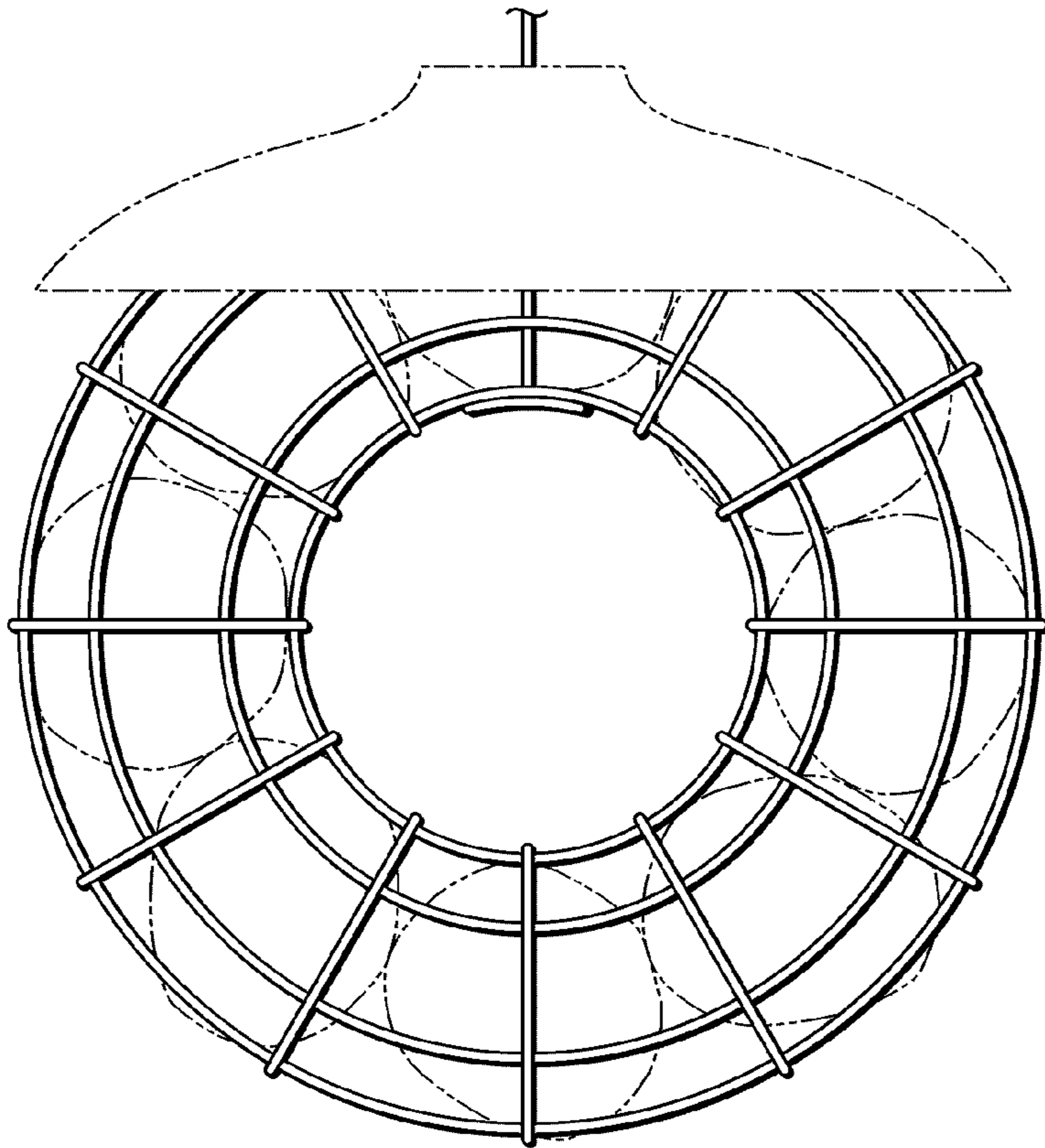


Fig. 1

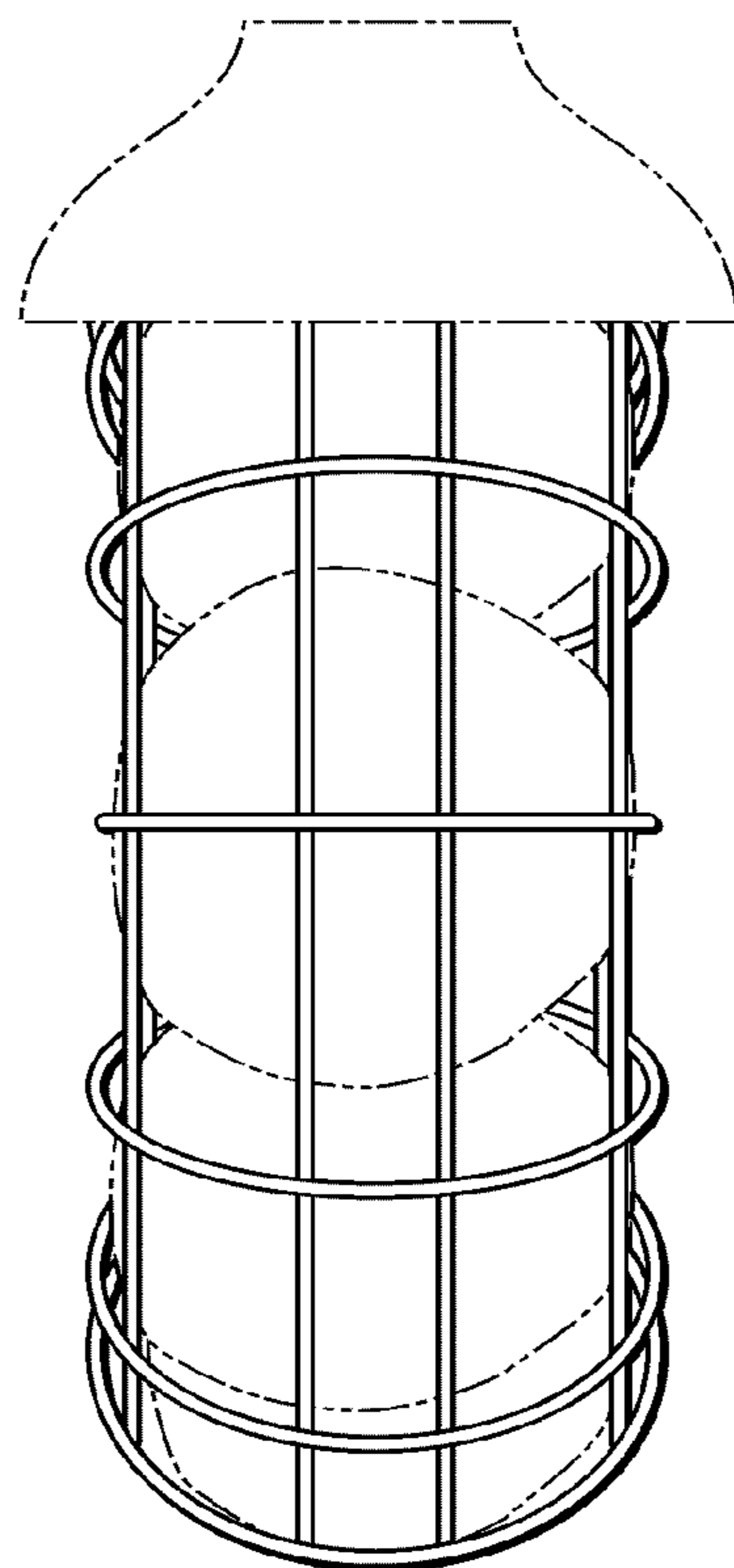


Fig. 2

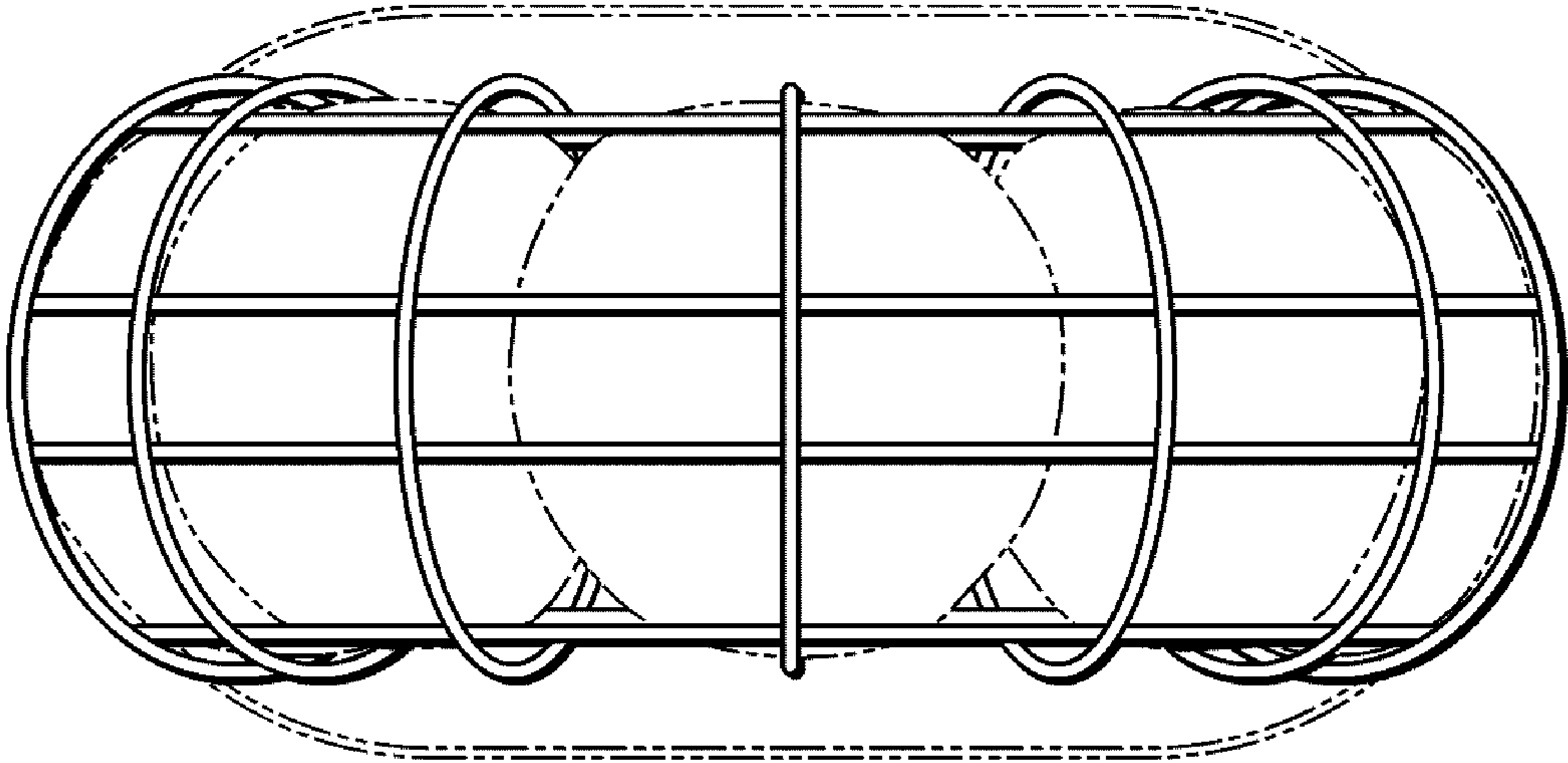


Fig. 3