



US00D647247S

(12) **United States Design Patent**
Jones

(10) **Patent No.:** **US D647,247 S**

(45) **Date of Patent:** **** Oct. 18, 2011**

(54) **SMOKING PIPE**

(76) Inventor: **Mike Jones**, Kenmore, WA (US)

(**) Term: **14 Years**

(21) Appl. No.: **29/381,357**

(22) Filed: **Dec. 17, 2010**

(51) **LOC (9) Cl.** **27-02**

(52) **U.S. Cl.** **D27/163**

(58) **Field of Classification Search** D27/163,
D27/165, 101, 100, 172, 161, 187, 170; 131/179,
131/191, 351, 194, 331, 349, 256, 347, 365,
131/335, 361, 364, 215.1, 215.3, 202, 205,
131/206, 163, 180, 181, 162, 173, 330, 186,
131/187

See application file for complete search history.

(56) **References Cited**

U.S. PATENT DOCUMENTS

D256,168	S	*	7/1980	Thompson et al.	D27/194
D347,490	S	*	5/1994	Gee et al.	D27/194
5,388,594	A	*	2/1995	Counts et al.	131/329
5,388,595	A	*	2/1995	Shafer	131/329
5,529,078	A	*	6/1996	Rehder et al.	131/175
D371,633	S	*	7/1996	Chenard	D27/163
5,848,596	A	*	12/1998	Zelenik	131/329
D409,328	S	*	5/1999	Sigrist	D27/165
5,934,289	A	*	8/1999	Watkins et al.	131/328
D422,113	S	*	3/2000	Higgins et al.	D27/186
6,089,857	A	*	7/2000	Matsuura et al.	431/142

D442,328	S	*	5/2001	Barnes	D27/163
6,615,840	B1	*	9/2003	Fournier et al.	131/194
6,803,550	B2	*	10/2004	Sharpe et al.	219/635
D577,150	S	*	9/2008	Bryman et al.	D27/163
7,694,685	B1	*	4/2010	Jones	131/185
7,753,055	B2	*	7/2010	Bryman	131/351
7,905,236	B2	*	3/2011	Bryman et al.	131/351
2004/0187879	A1	*	9/2004	Iordan	131/194

* cited by examiner

Primary Examiner — Cathron Brooks

Assistant Examiner — Kevin Rudzinski

(74) *Attorney, Agent, or Firm* — Dean A. Craine

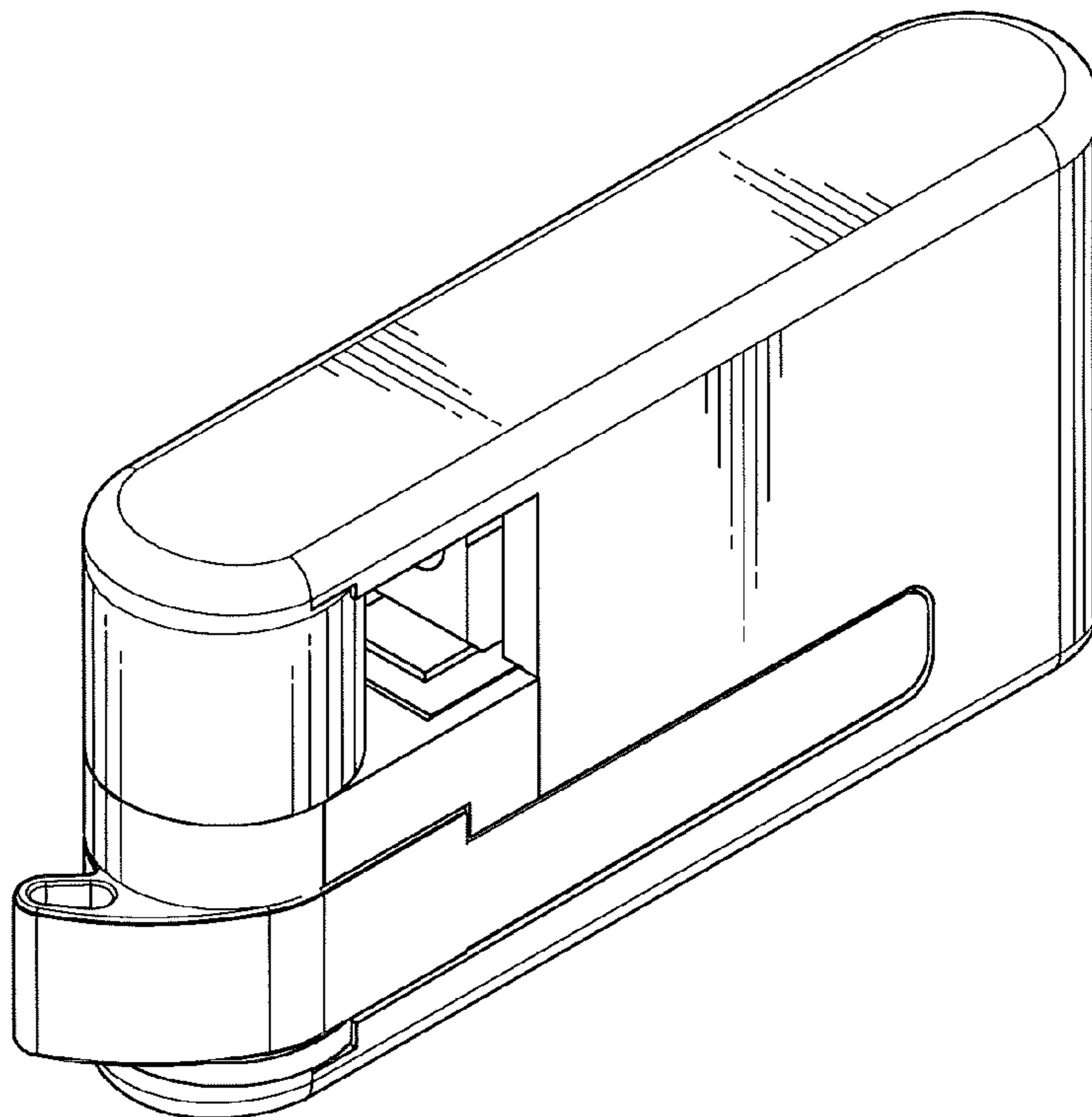
(57) **CLAIM**

The ornamental design for smoking pipe, as shown and described.

DESCRIPTION

FIG. 1 is a left side perspective view of a smoking pipe.
 FIG. 2 is a left side, rear perspective view of the smoking pipe shown in FIG. 1.
 FIG. 3 is a left side elevational view of the invention.
 FIG. 4 is a right side elevational view of the invention.
 FIG. 5 is a front end view of the invention.
 FIG. 6 is a rear end view of the invention.
 FIG. 7 is a top plan view of the invention.
 FIG. 8 is a bottom plan view of the invention.
 FIG. 9 is a left side perspective view of the invention similar to the view shown in FIG. 1 showing the housing moved rearward over the base, the bowl and the lighter; and,
 FIG. 10 is a top plan view of the invention, shown with the mouth piece rotated outward.

1 Claim, 4 Drawing Sheets



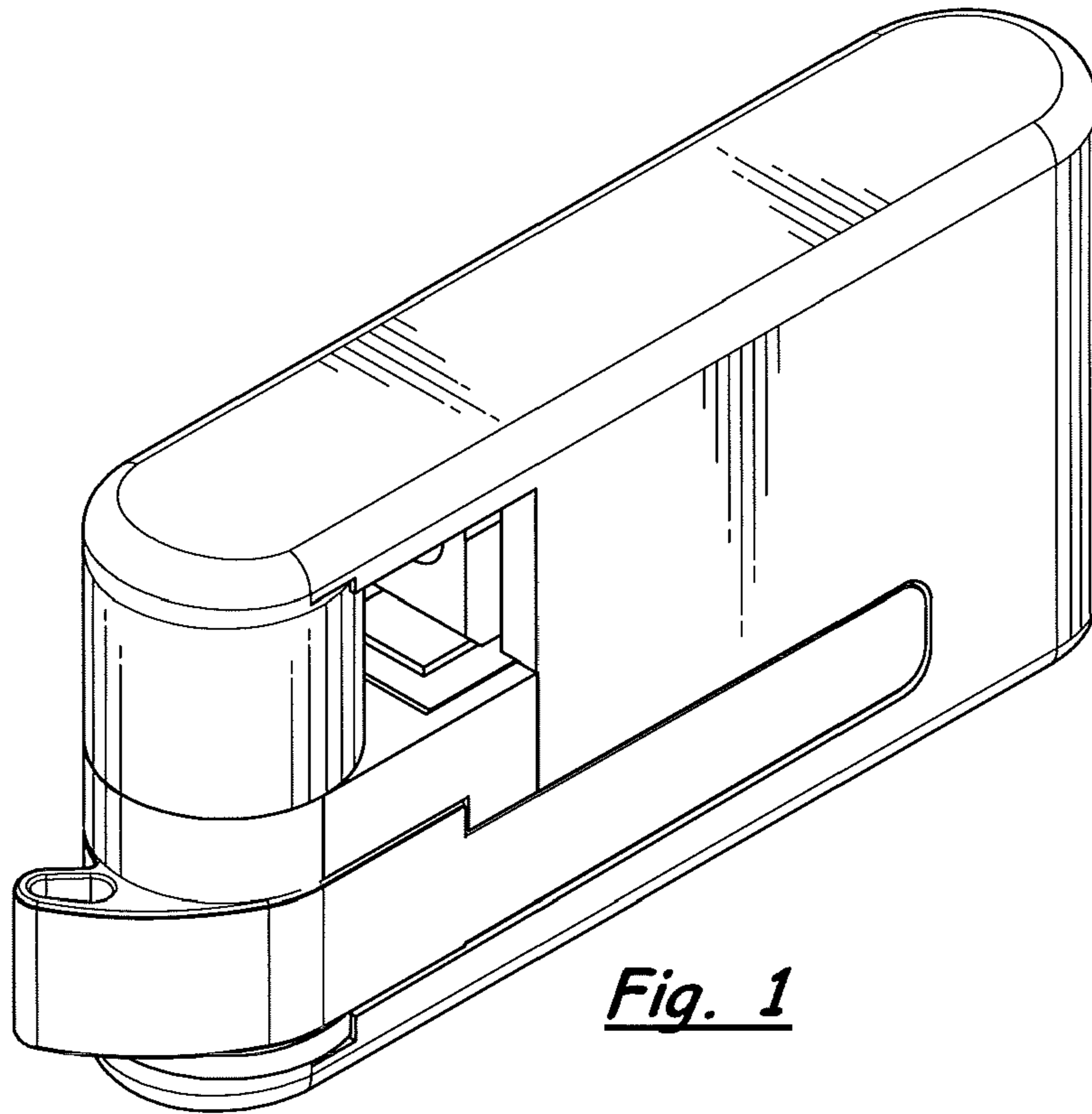


Fig. 1

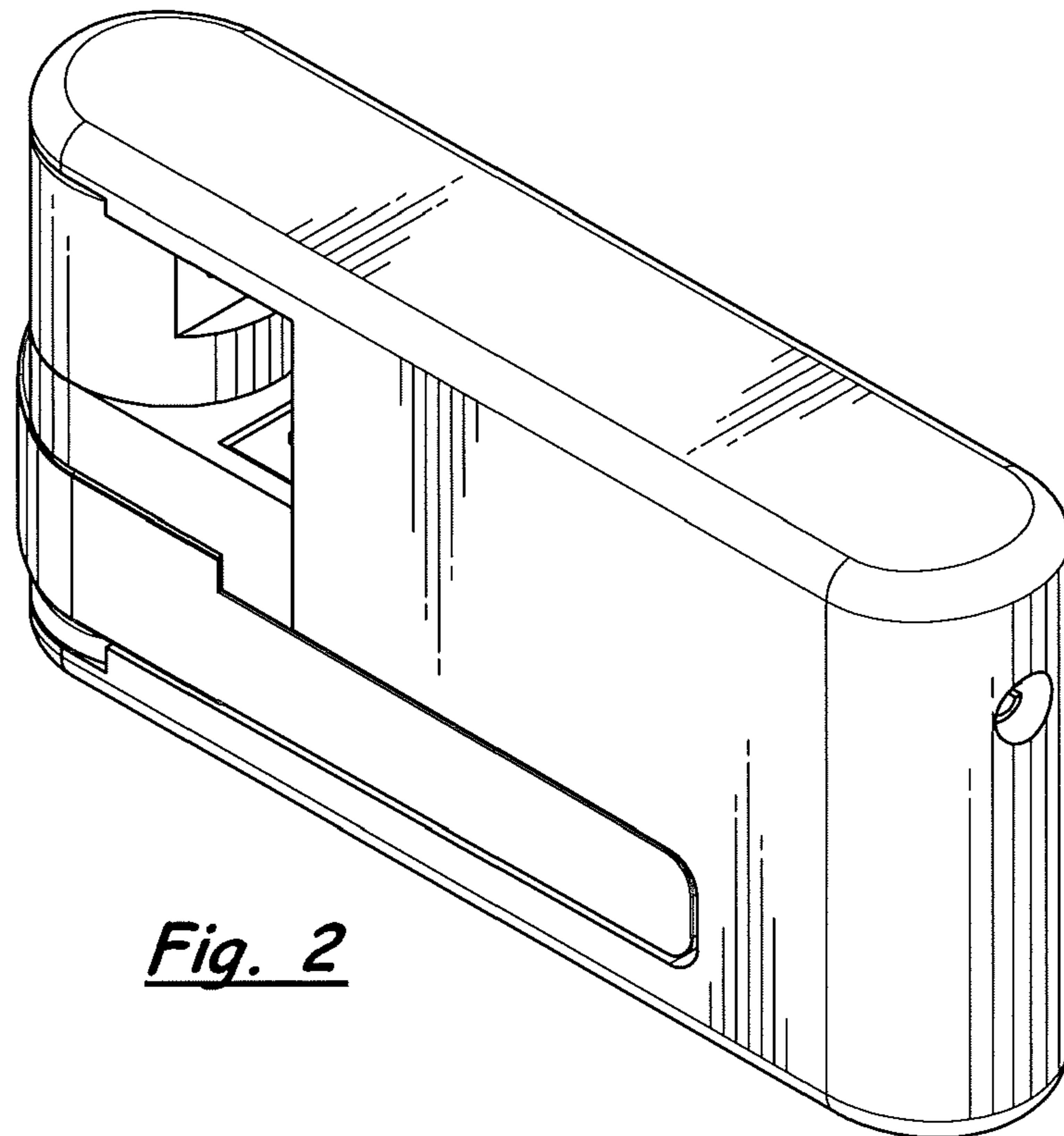


Fig. 2

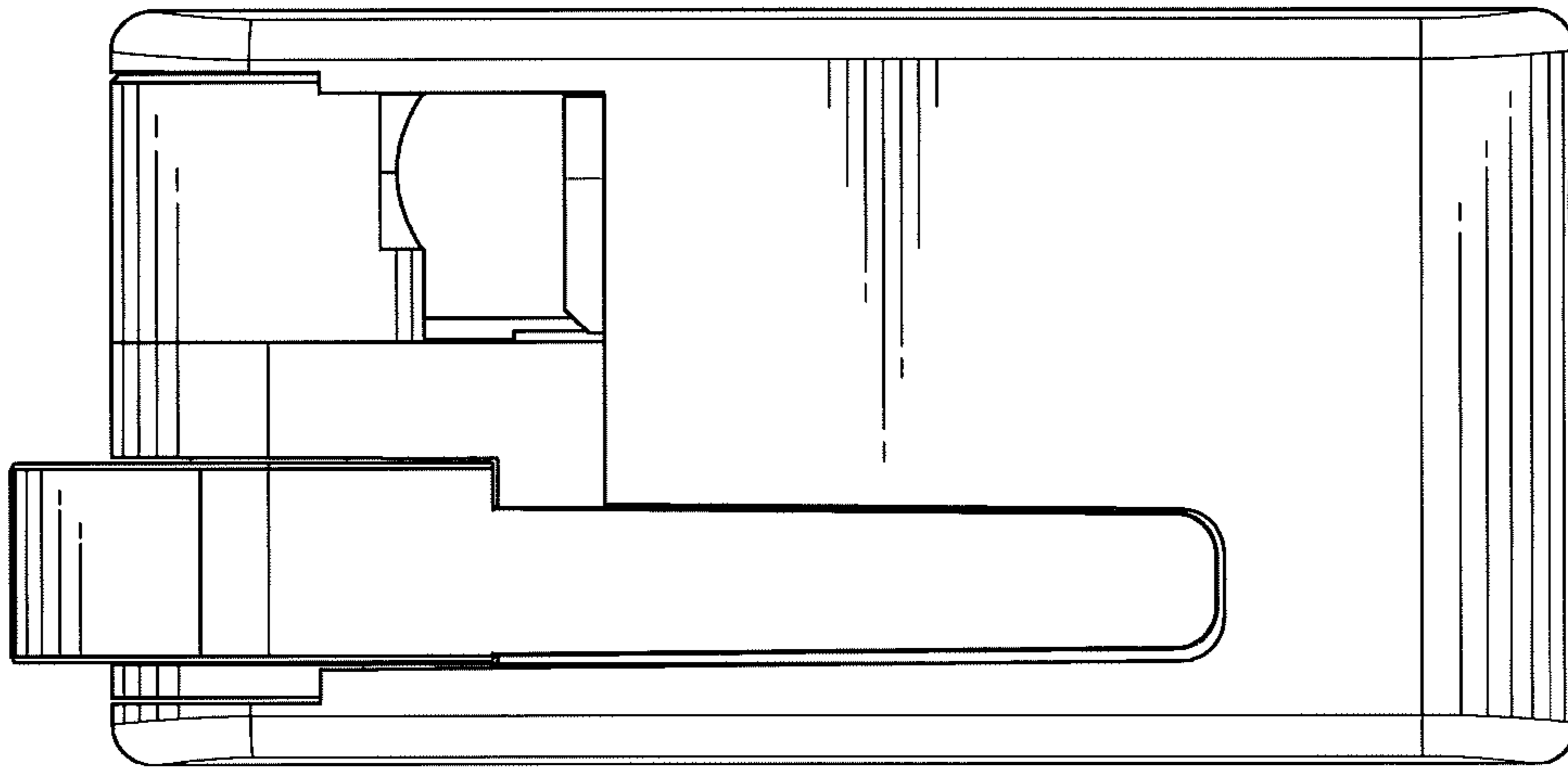


Fig. 3

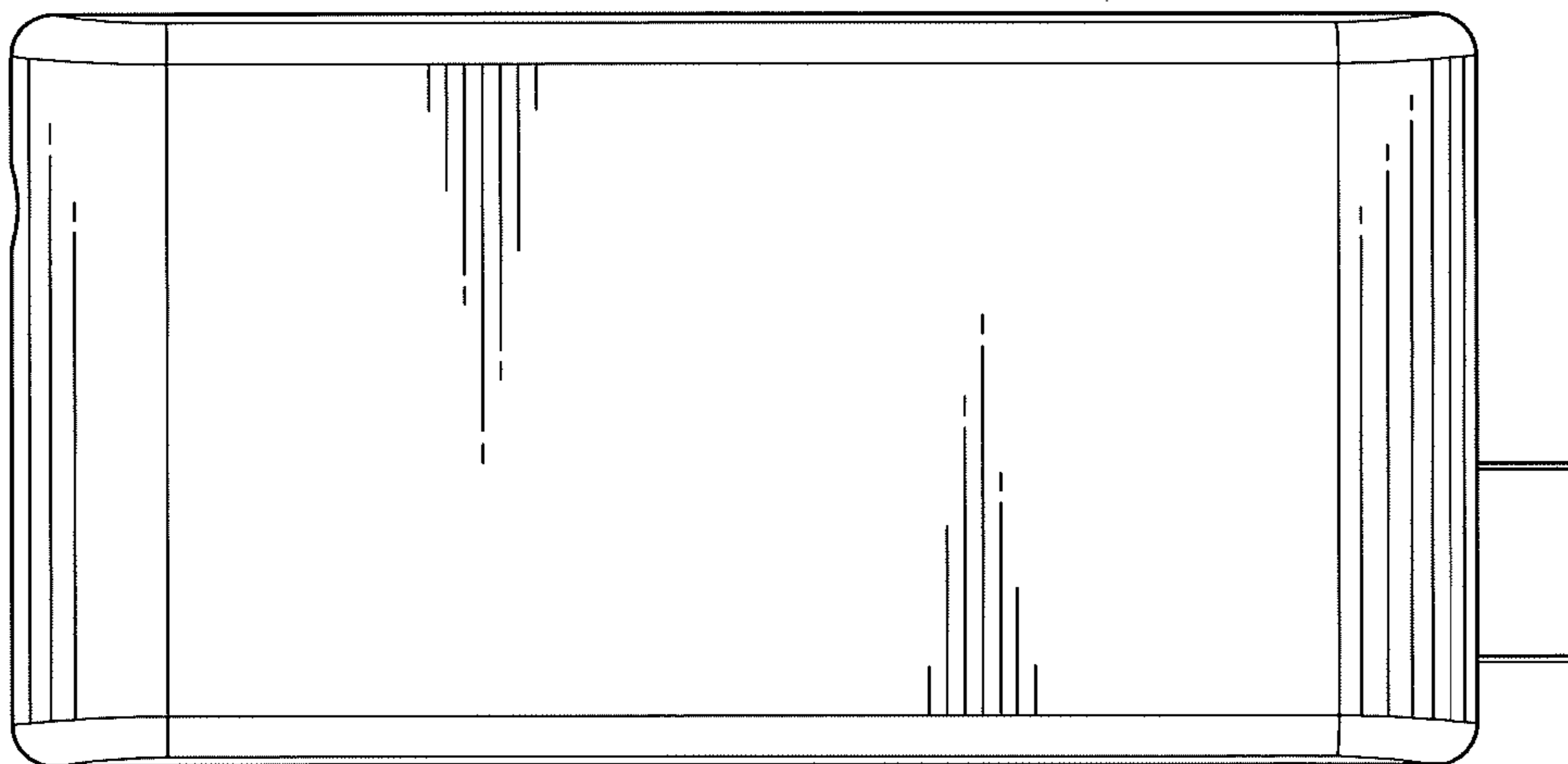


Fig. 4

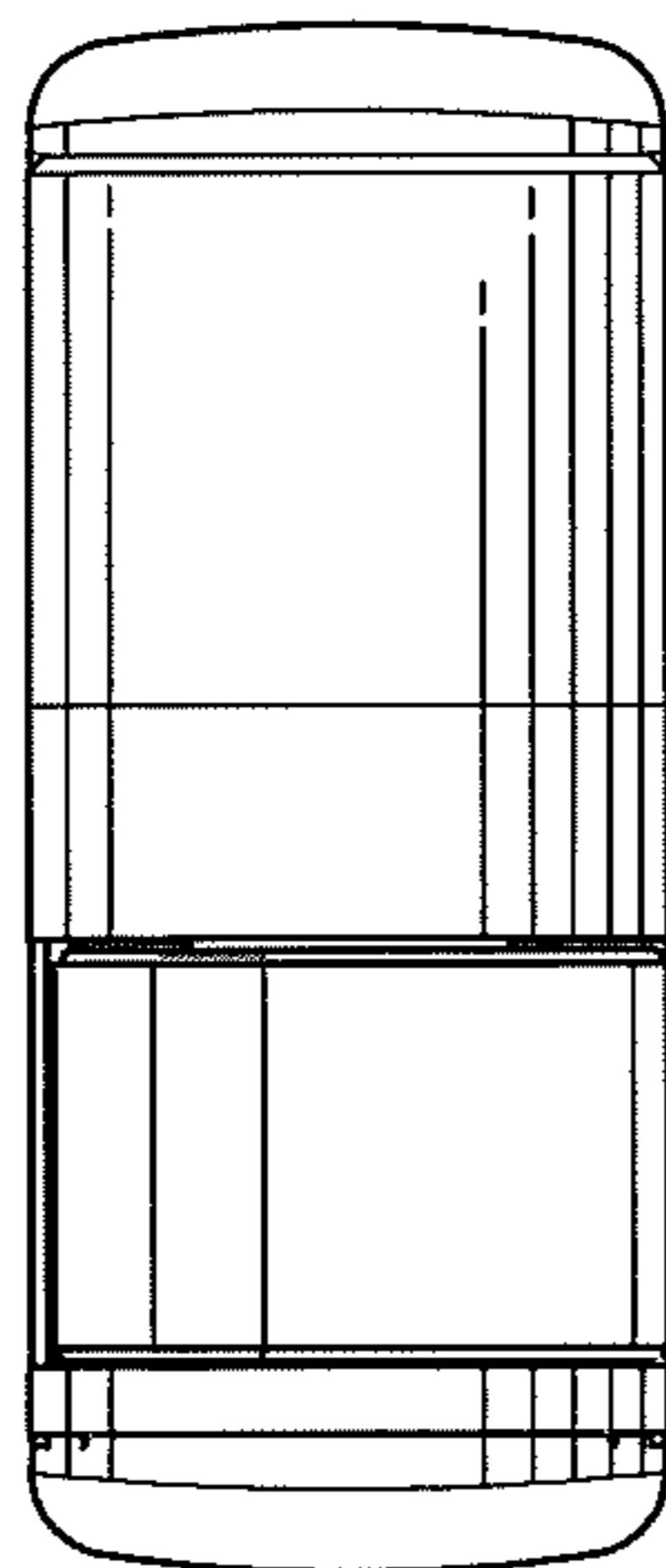


Fig. 5

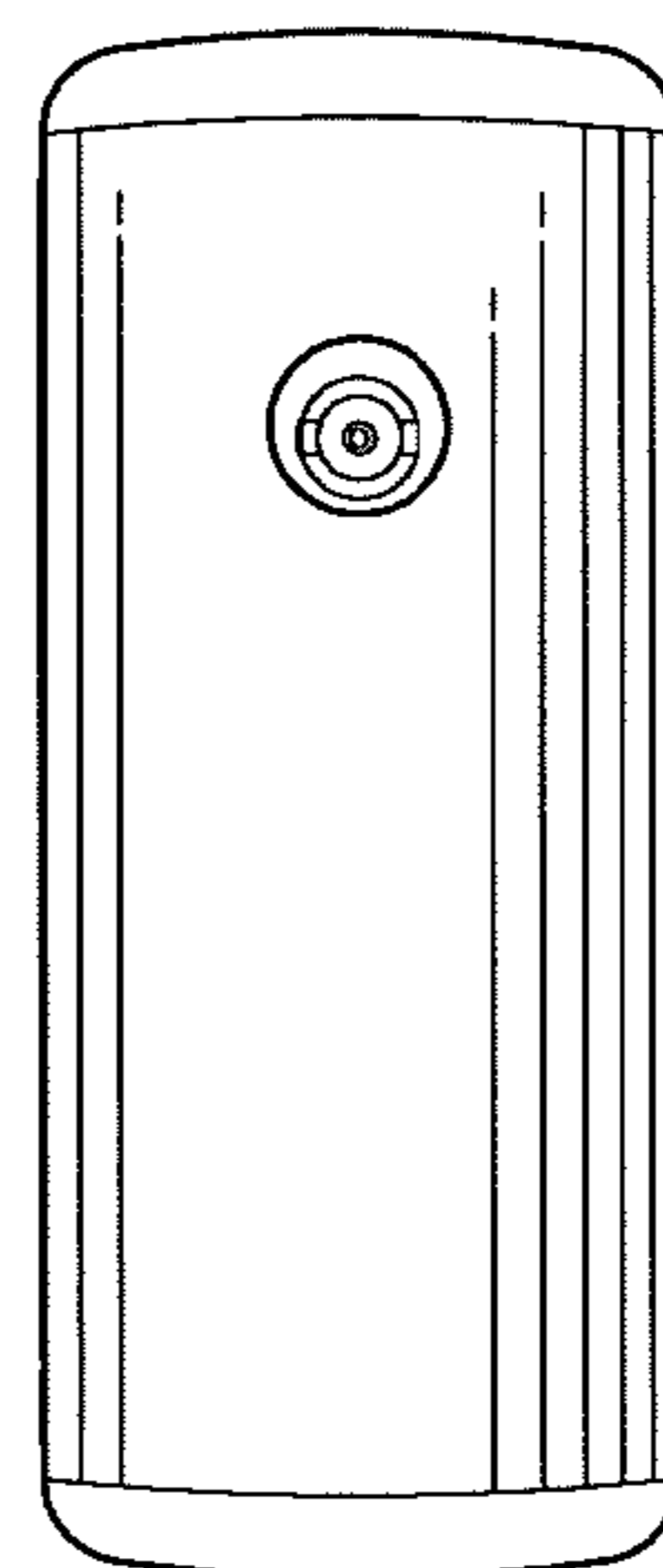


Fig. 6

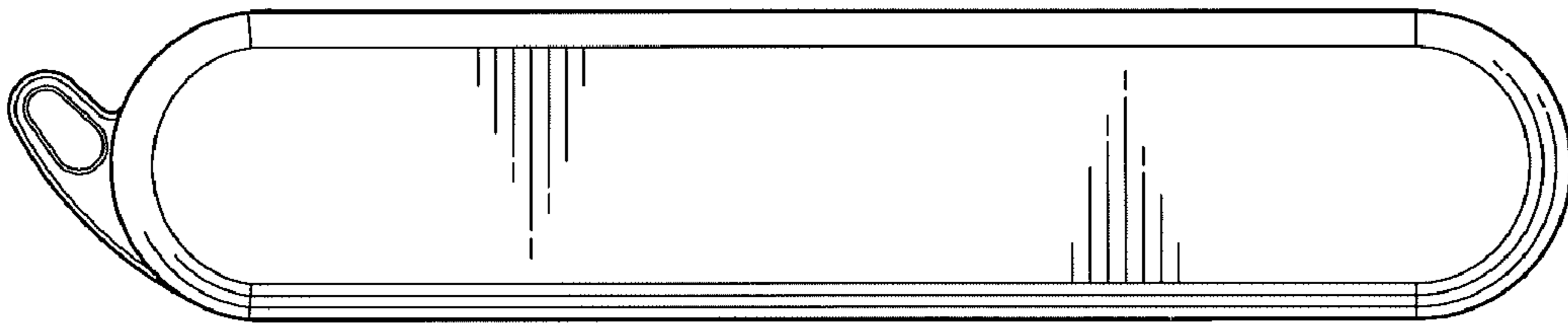


Fig. 7

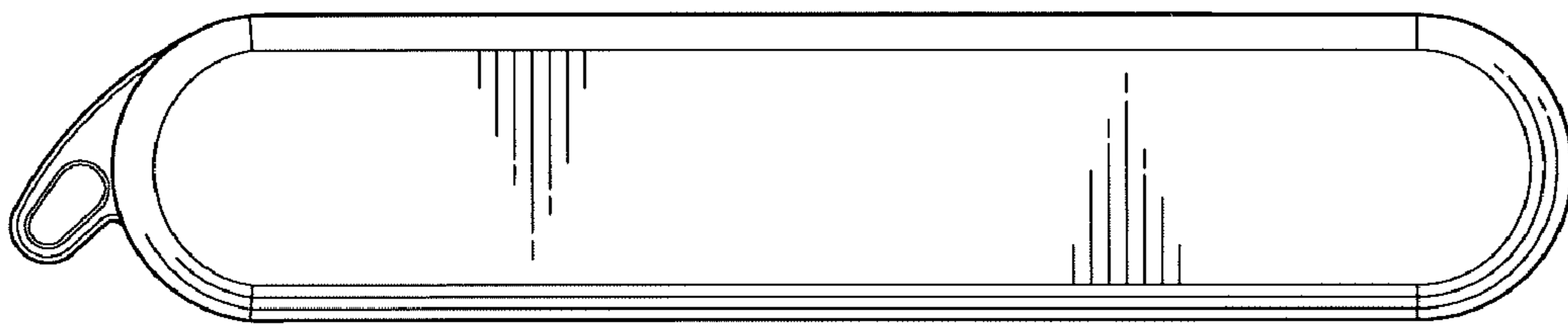


Fig. 8

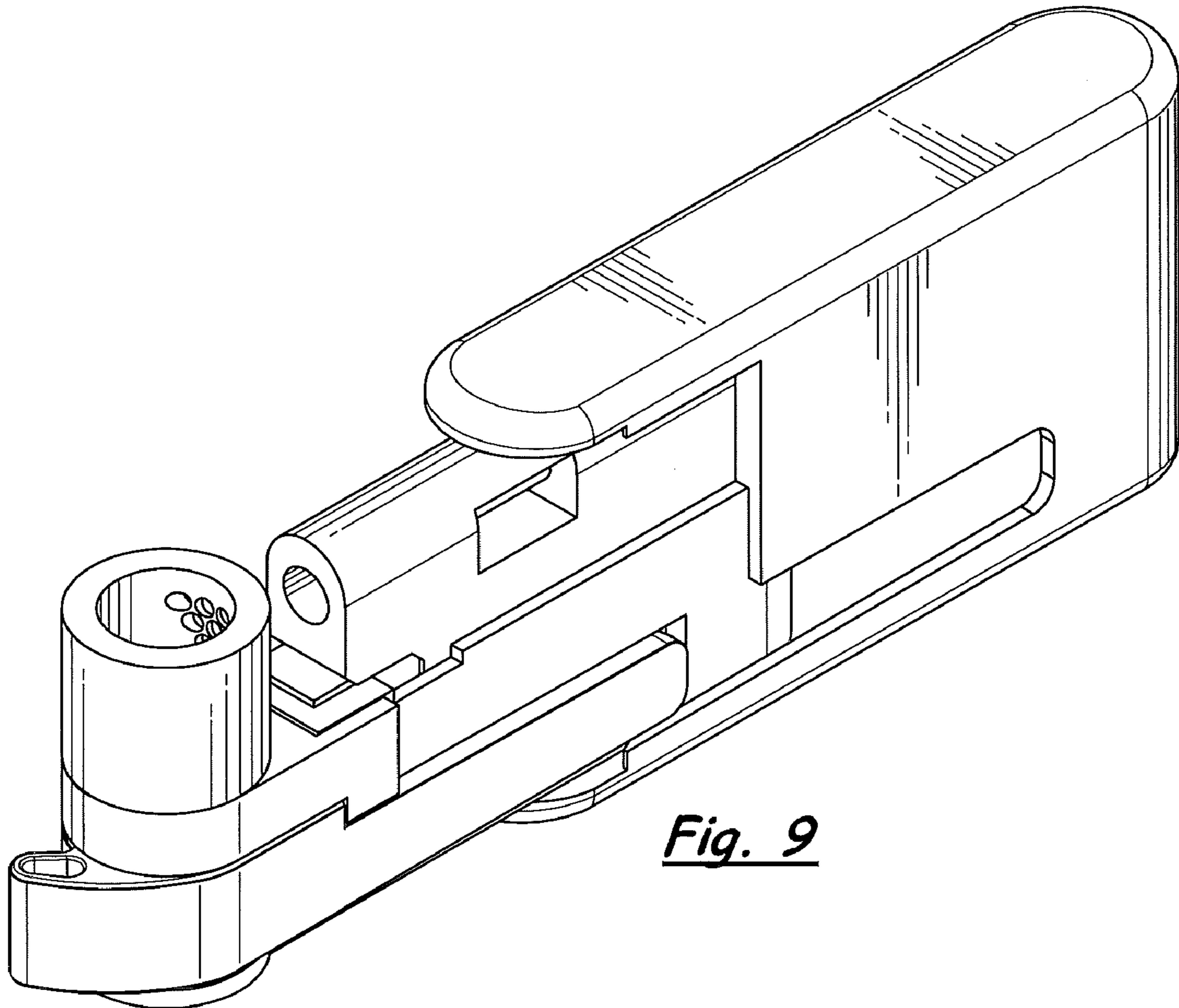


Fig. 9

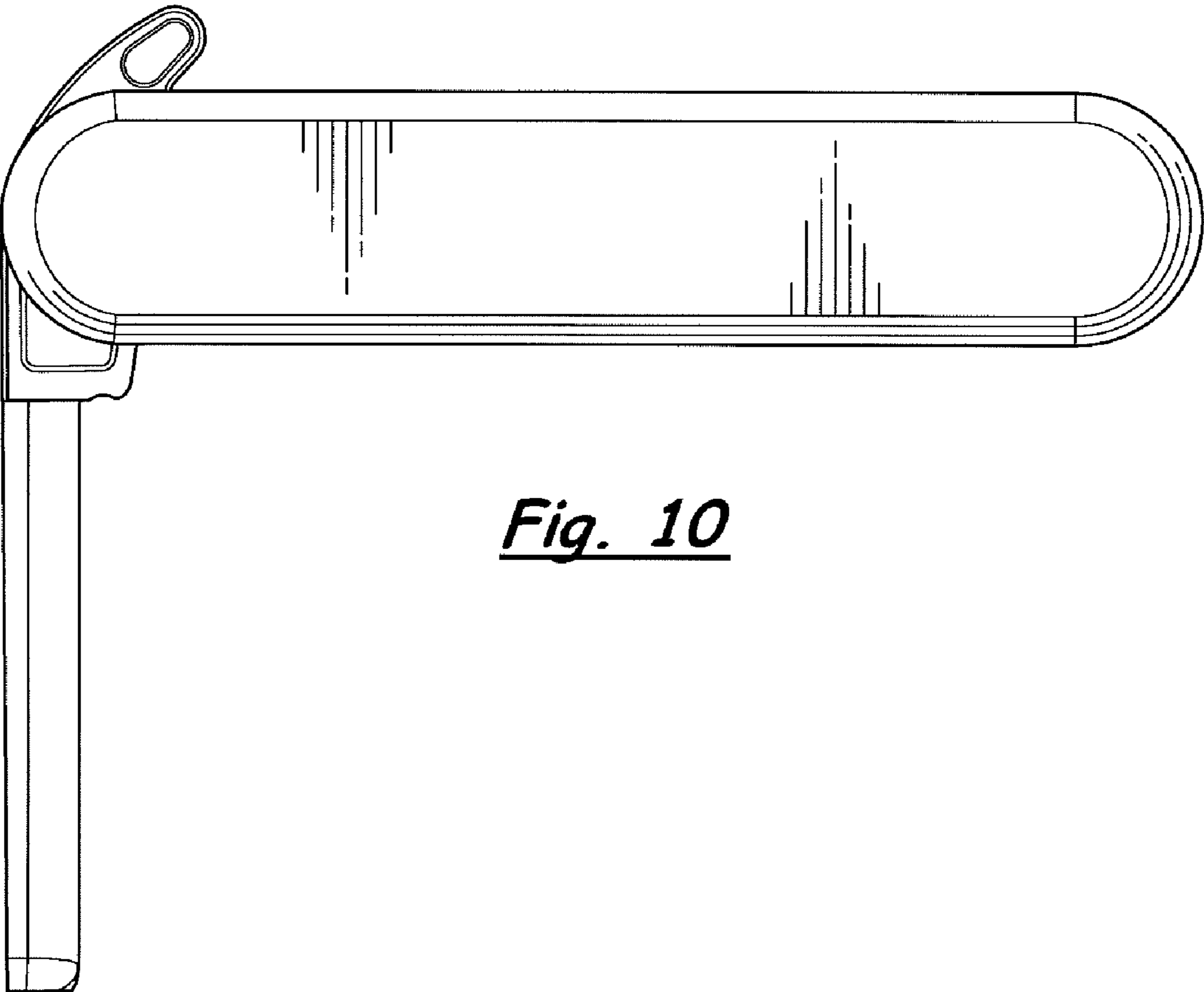


Fig. 10