



US00D647242S

(12) **United States Design Patent**
Staples

(10) **Patent No.:** **US D647,242 S**

(45) **Date of Patent:** **** Oct. 18, 2011**

(54) **LAMP**

(75) **Inventor:** **Peter Ethan Staples**, Los Angeles, CA
(US)

(73) **Assignee:** **Blue Clover Design, LLC**, San Bruno,
CA (US)

(**) **Term:** **14 Years**

(21) **Appl. No.:** **29/362,432**

(22) **Filed:** **May 25, 2010**

(51) **LOC (9) Cl.** **26-03**

(52) **U.S. Cl.** **D26/93**

(58) **Field of Classification Search** D26/1,
D26/24, 67-6, 93-94, 101, 104-110, 113,
D26/118; 362/3, 153, 186, 217, 255, 257,
362/277, 317, 351, 353, 362, 363, 382, 431,
362/433, 458, 806

See application file for complete search history.

(56) **References Cited**

U.S. PATENT DOCUMENTS

D431,315 S *	9/2000	Sekine et al.	D26/93
D525,739 S *	7/2006	Wu	D26/93
D625,459 S *	10/2010	Brusemini	D26/93
D632,825 S *	2/2011	Sabernig	D26/93
D632,826 S *	2/2011	Sabernig	D26/93

* cited by examiner

Primary Examiner — Brian N Vinson

(74) *Attorney, Agent, or Firm* — Jeffrey Schox

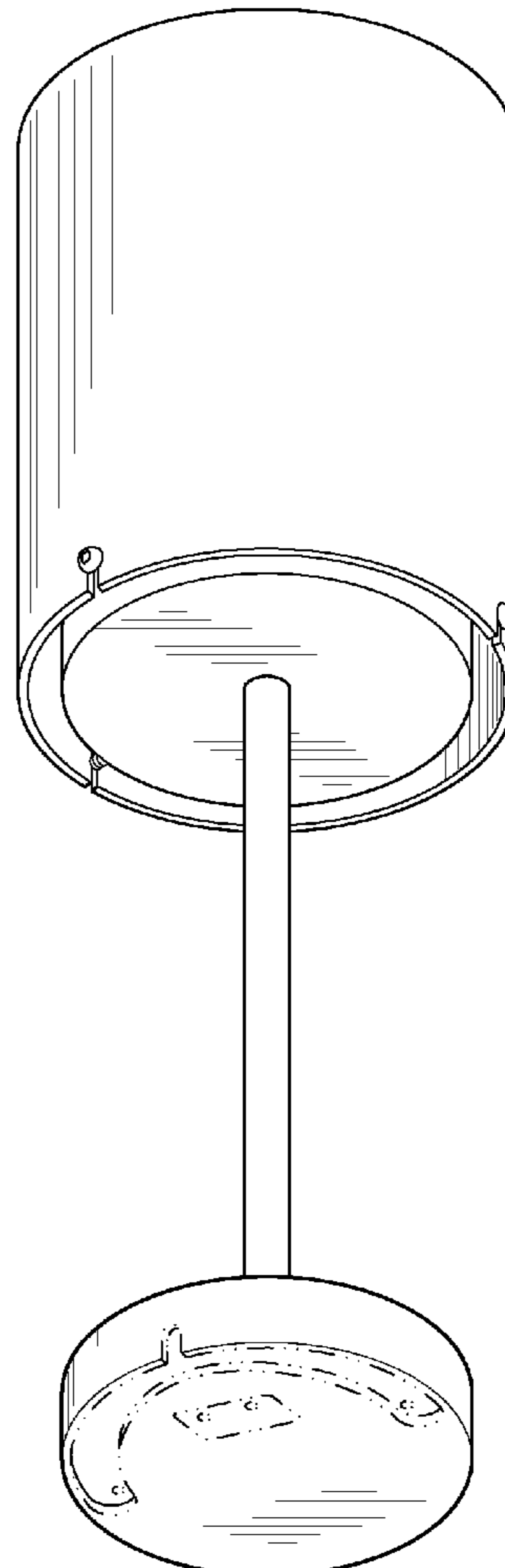
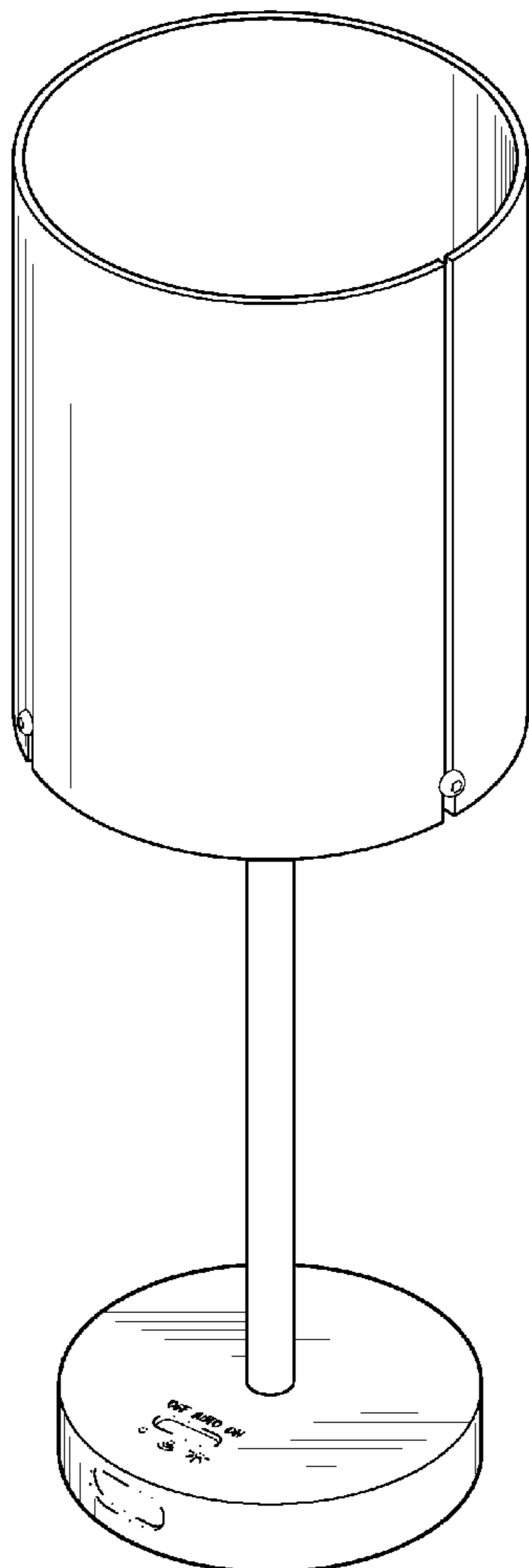
(57) **CLAIM**

The ornamental design for a lamp, as shown and described.

DESCRIPTION

FIG. 1 is a top and front perspective view of a lamp showing my new design;
FIG. 2 is bottom and front perspective view thereof;
FIG. 3 is top plan view thereof;
FIG. 4 is a vertical cross-sectional view thereof, taken along line 4-4 of FIG. 3;
FIG. 5 is a rear elevational view thereof; and,
FIG. 6 is a bottom plan view thereof.

1 Claim, 2 Drawing Sheets



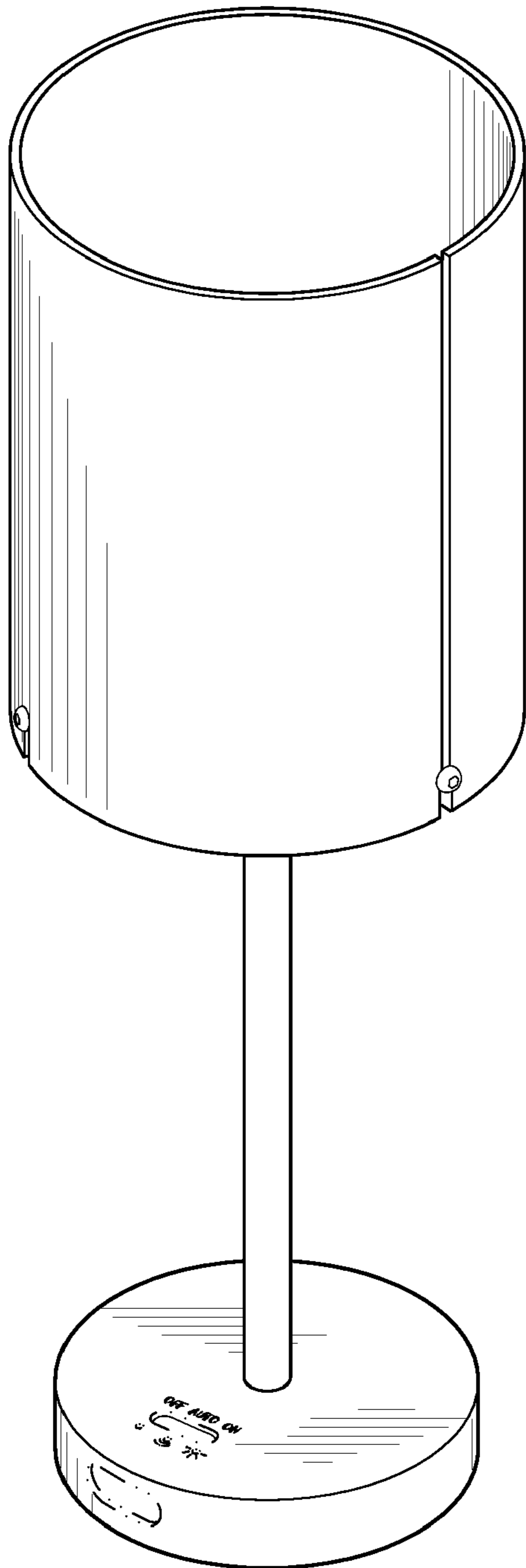


FIG. 1

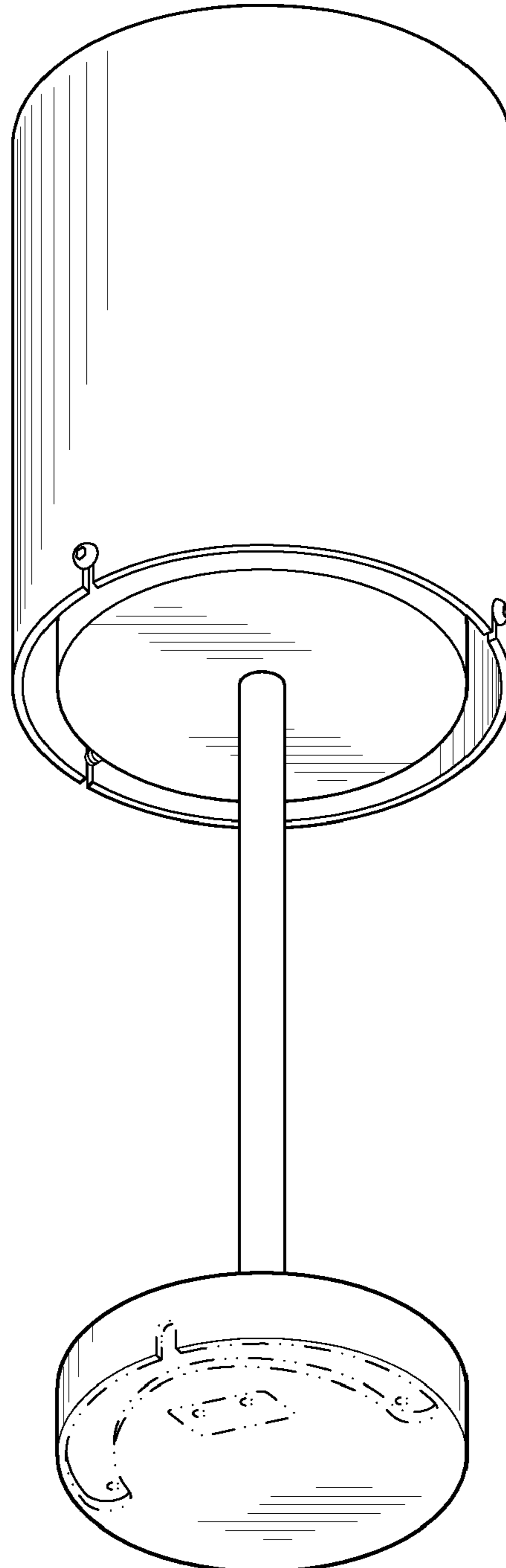


FIG. 2

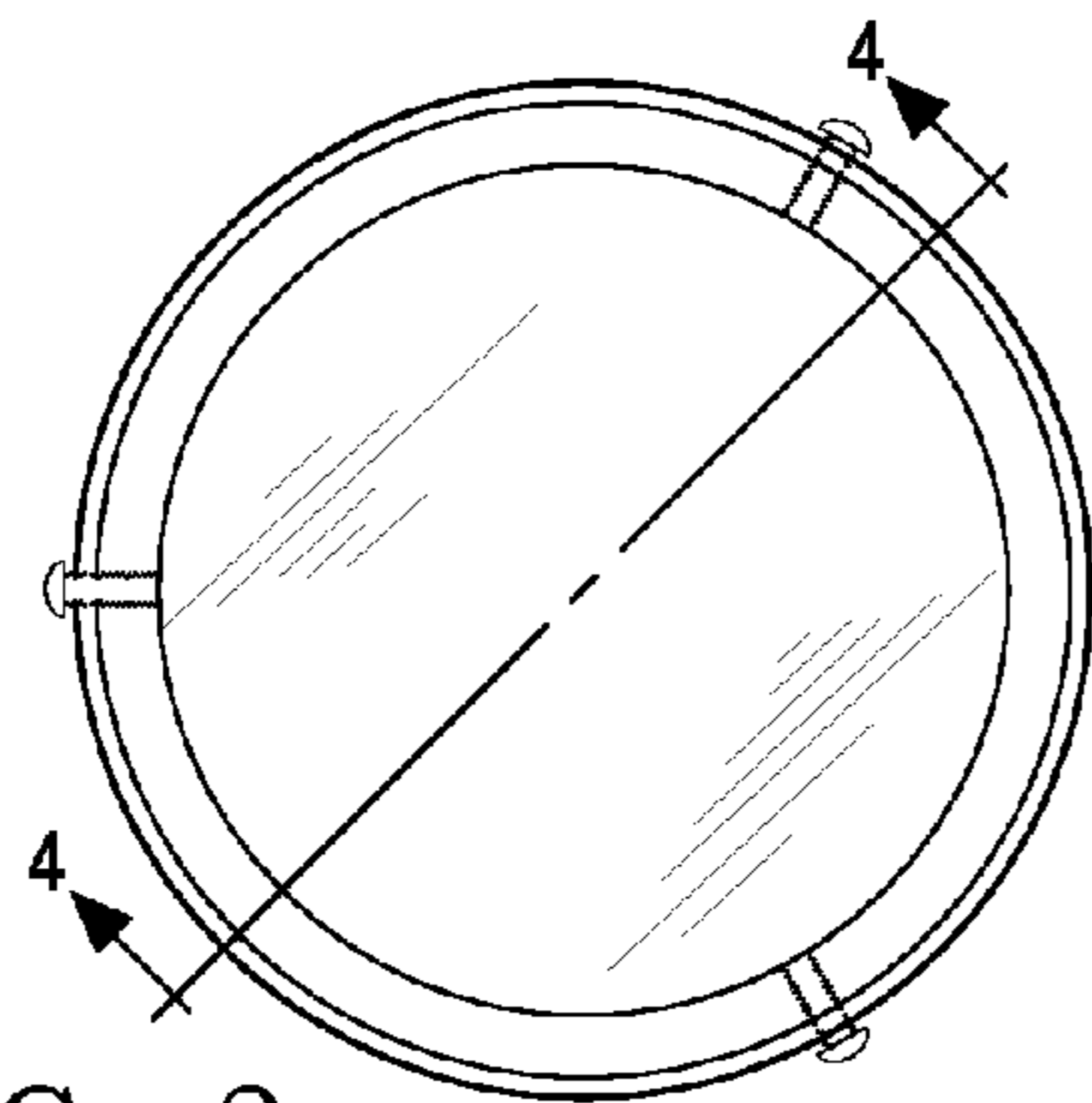


FIG. 3

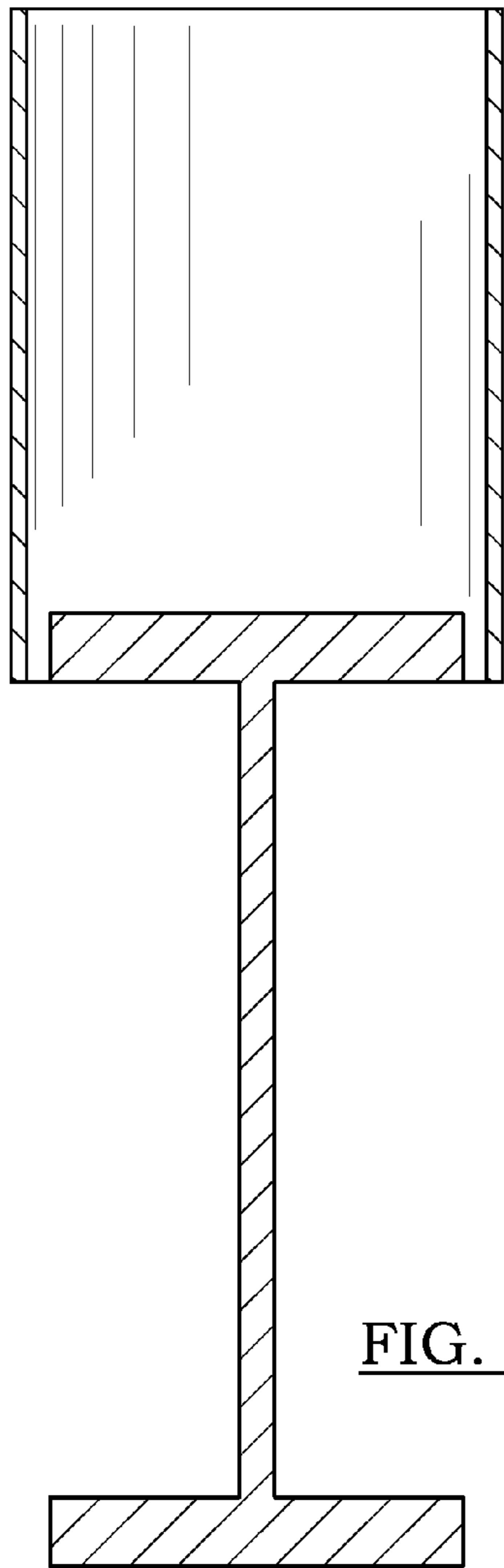


FIG. 4

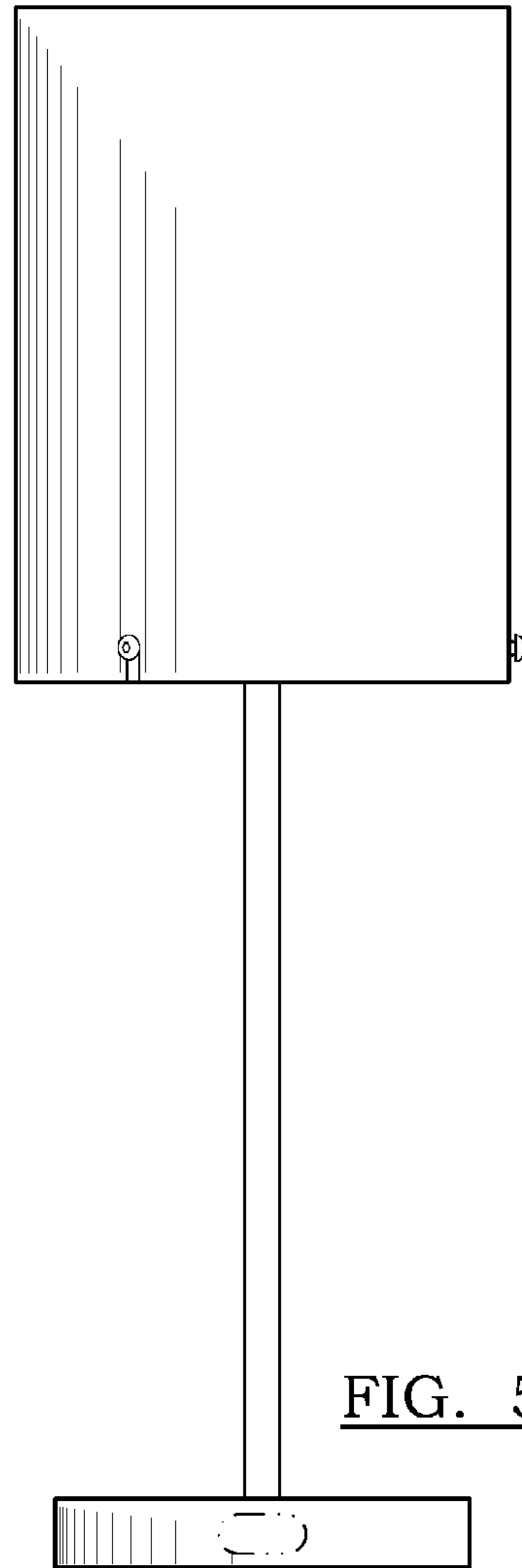


FIG. 5

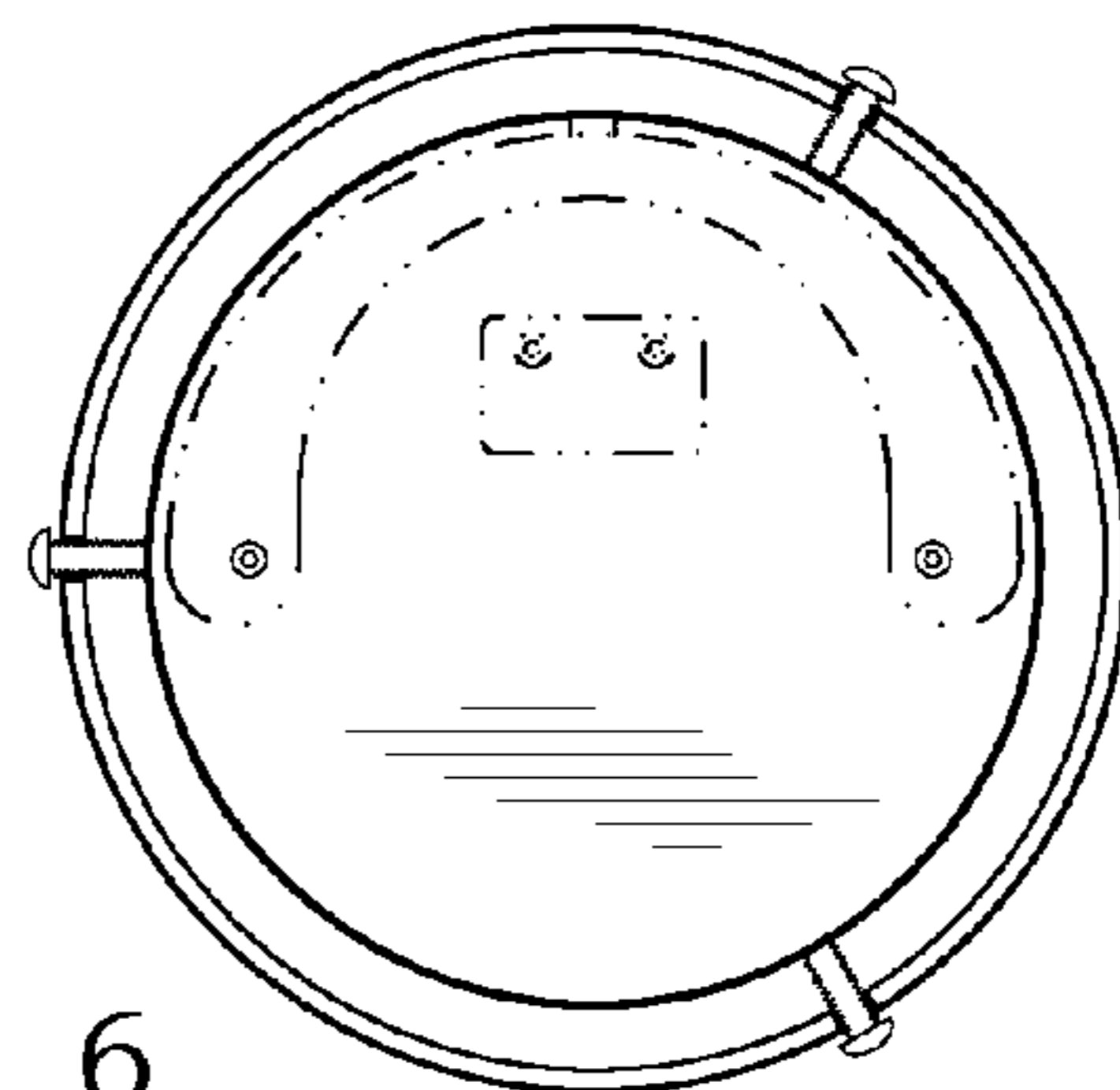


FIG. 6