



US00D647239S

(12) **United States Design Patent**
Beghelli

(10) **Patent No.:** **US D647,239 S**

(45) **Date of Patent:** **** Oct. 18, 2011**

(54) **BUILT-IN LIGHT APPLIANCE**

(75) Inventor: **Gian Pietro Beghelli**, Monteveglio (IT)

(73) Assignee: **Beghelli S.p.A.**, Monteveglio (Bologna)
(IT)

(**) Term: **14 Years**

(21) Appl. No.: **29/349,962**

(22) Filed: **May 21, 2010**

(30) **Foreign Application Priority Data**

Mar. 3, 2010 (EM) 001677188-0001

(51) **LOC (9) Cl.** **26-05**

(52) **U.S. Cl.** **D26/74**

(58) **Field of Classification Search** D26/24,
D26/72, 74, 80, 81, 83, 85, 88, 61, 63, 118;
362/576, 89, 145, 147, 148, 150, 151, 152,
362/153, 153.1, 294, 296.01, 311.02, 311.07,
362/364, 365, 366, 373

See application file for complete search history.

(56) **References Cited**

U.S. PATENT DOCUMENTS

D307,059 S *	4/1990	Szymanek	D26/74
D312,842 S *	12/1990	Younger et al.	D20/42
D343,915 S *	2/1994	Baader et al.	D26/28
D400,281 S *	10/1998	Kerr	D26/74
D427,343 S *	6/2000	Reinbach	D26/28
6,350,039 B1 *	2/2002	Lee	362/95
D456,932 S *	5/2002	Crosby	D26/85
D570,518 S *	6/2008	Haimov	D26/74

D581,084 S *	11/2008	Kawaguchi et al.	D26/74
D602,624 S *	10/2009	Kawaguchi et al.	D26/74
D612,958 S *	3/2010	Uemoto et al.	D26/24

* cited by examiner

Primary Examiner — Angela J Lee

(74) *Attorney, Agent, or Firm* — Hedman & Costigan, P.C.;
James V. Costigan

(57) **CLAIM**

The ornamental design for a built-in light appliance, as shown and described.

DESCRIPTION

FIG. 1 is a right side view of a built-in light appliance according to the invention.

FIG. 2 is a bottom view of the built-in light appliance according to the invention.

FIG. 3 is a left side view of the built-in light appliance according to the invention.

FIG. 4 is a top view of the built-in light appliance according to the invention.

FIG. 5 is a back view of the built-in light appliance according to the invention.

FIG. 6 is a front view of the built-in light appliance according to the invention.

FIG. 7 is a bottom perspective view of the built-in light appliance according to the invention; and,

FIG. 8 is a top perspective view of the built-in light appliance according to the invention.

1 Claim, 1 Drawing Sheet

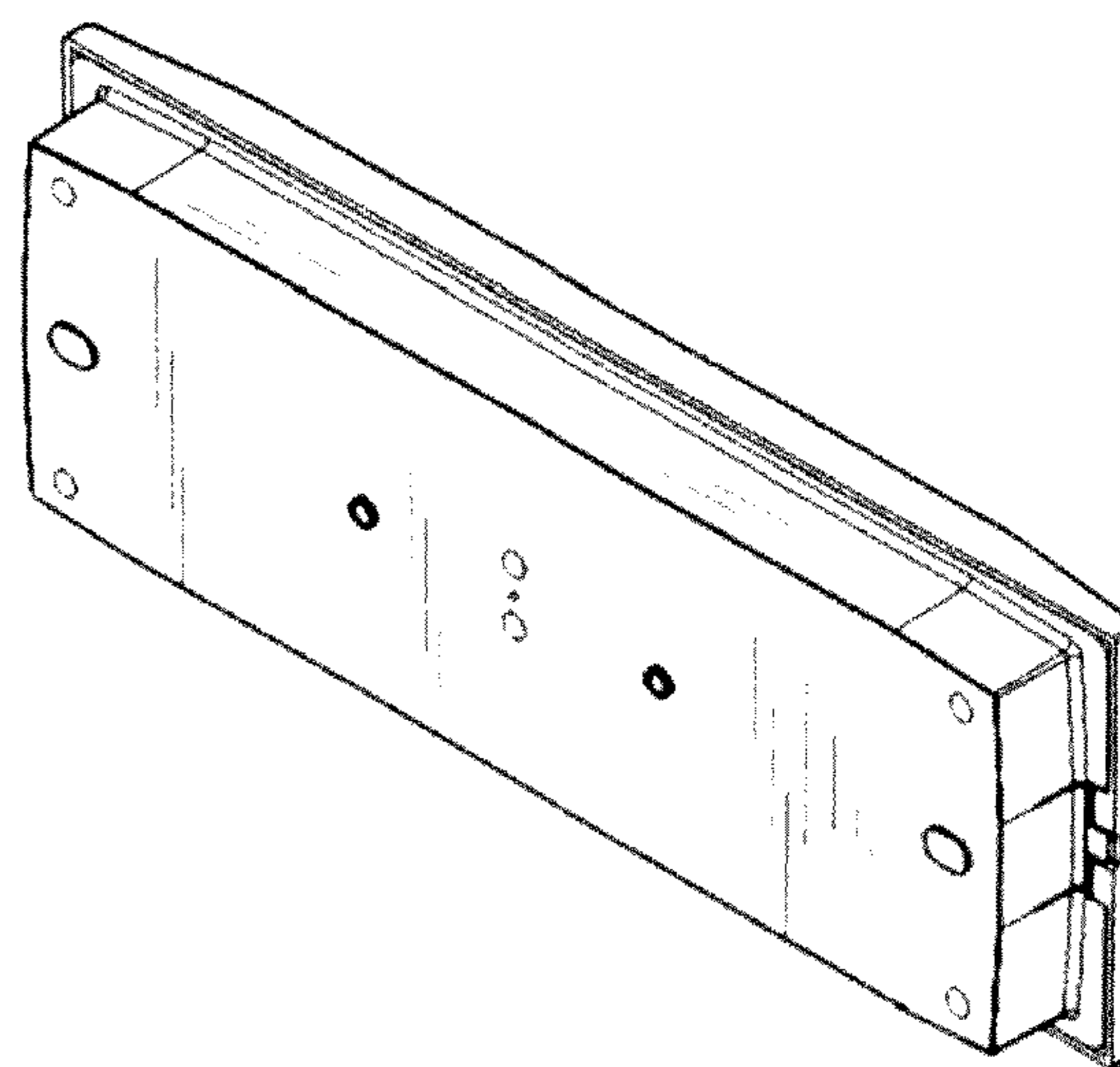
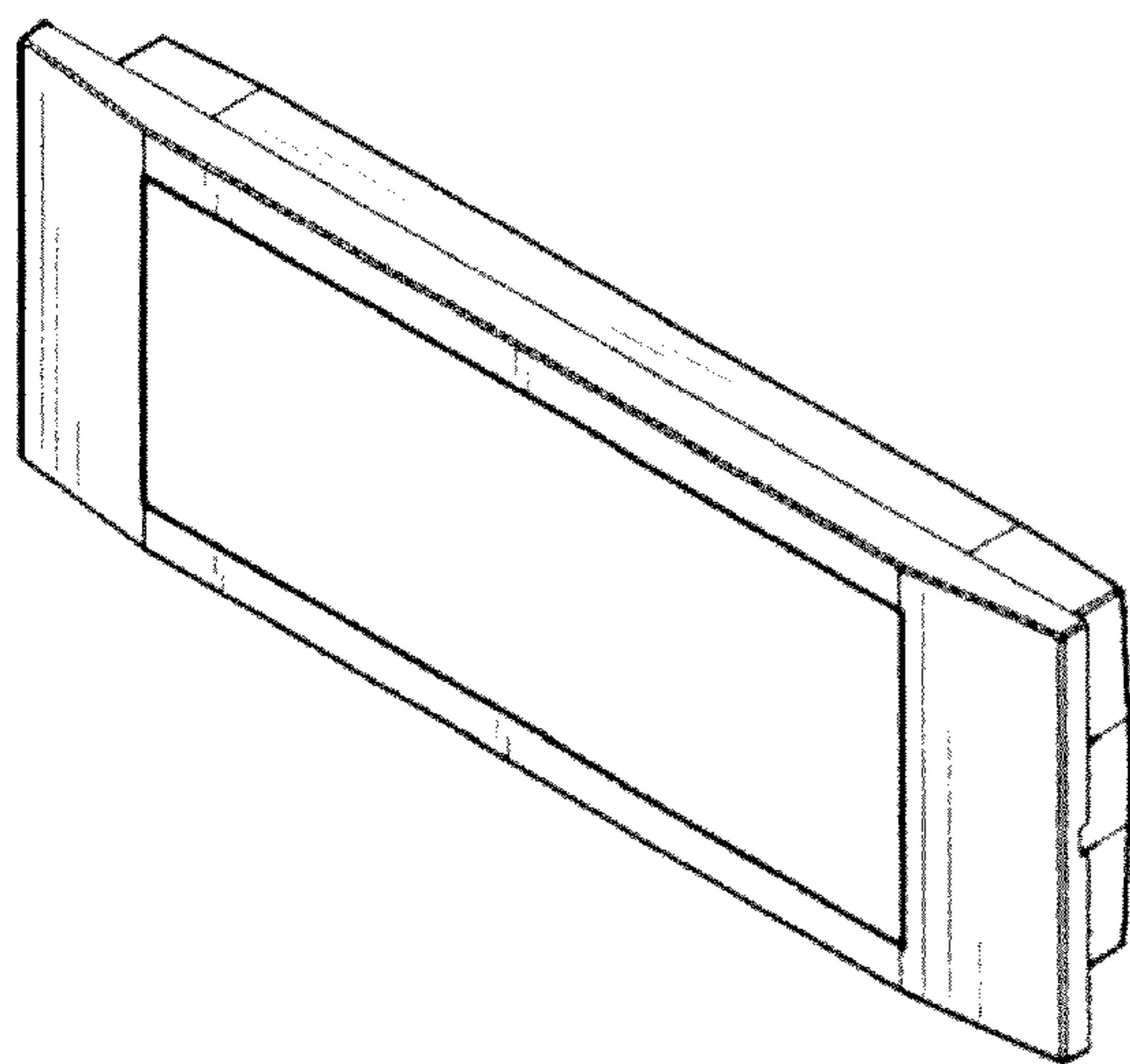




Fig. 1

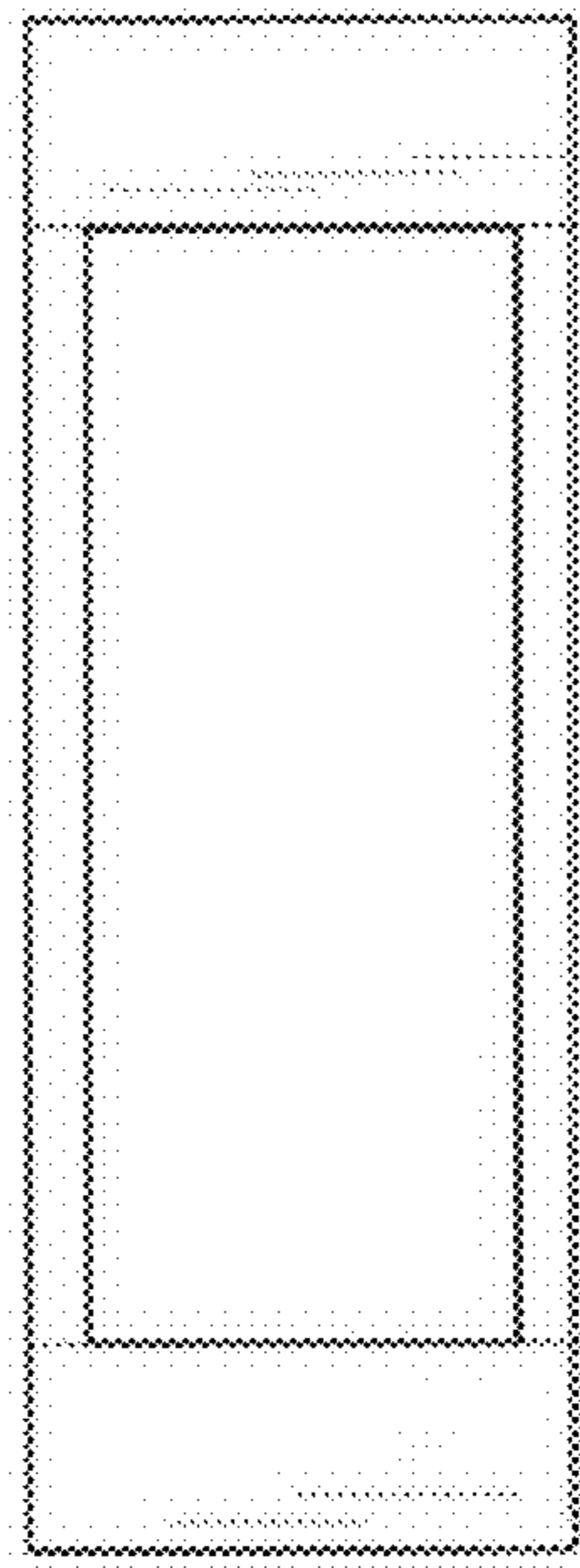


Fig. 2



Fig. 3

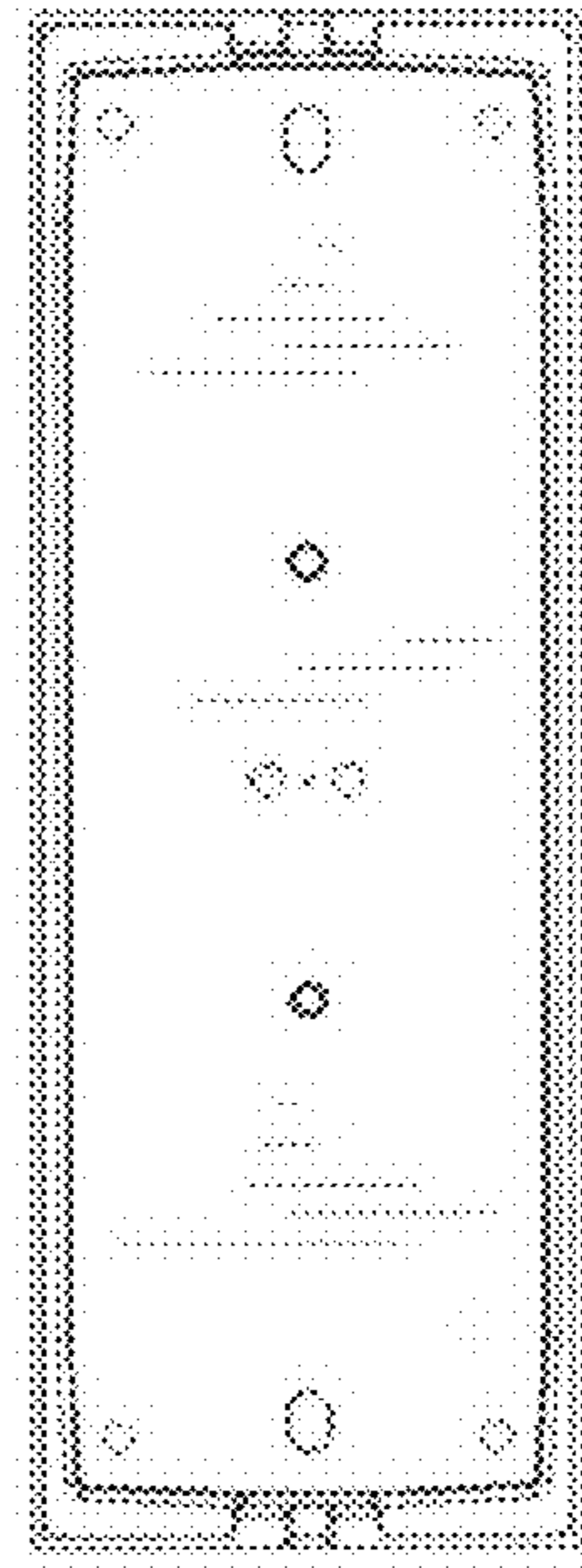


Fig. 4

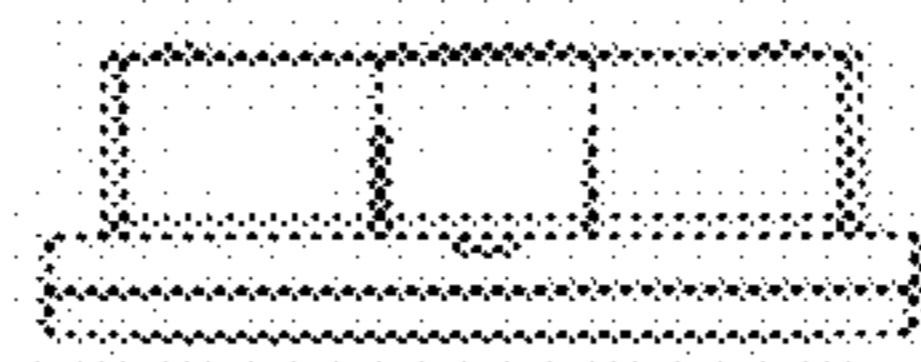


Fig. 5

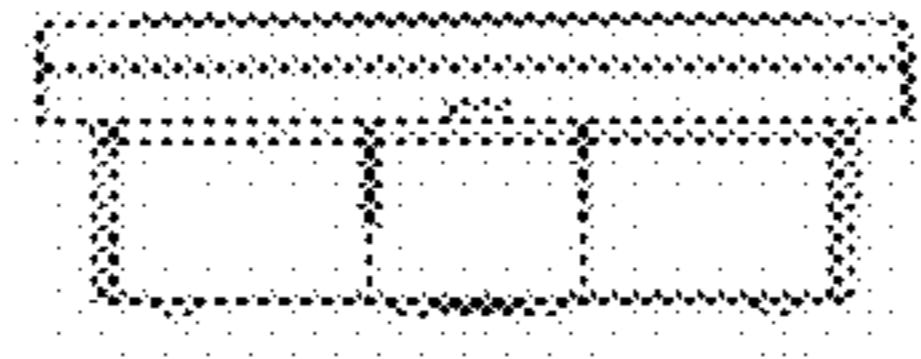


Fig. 6

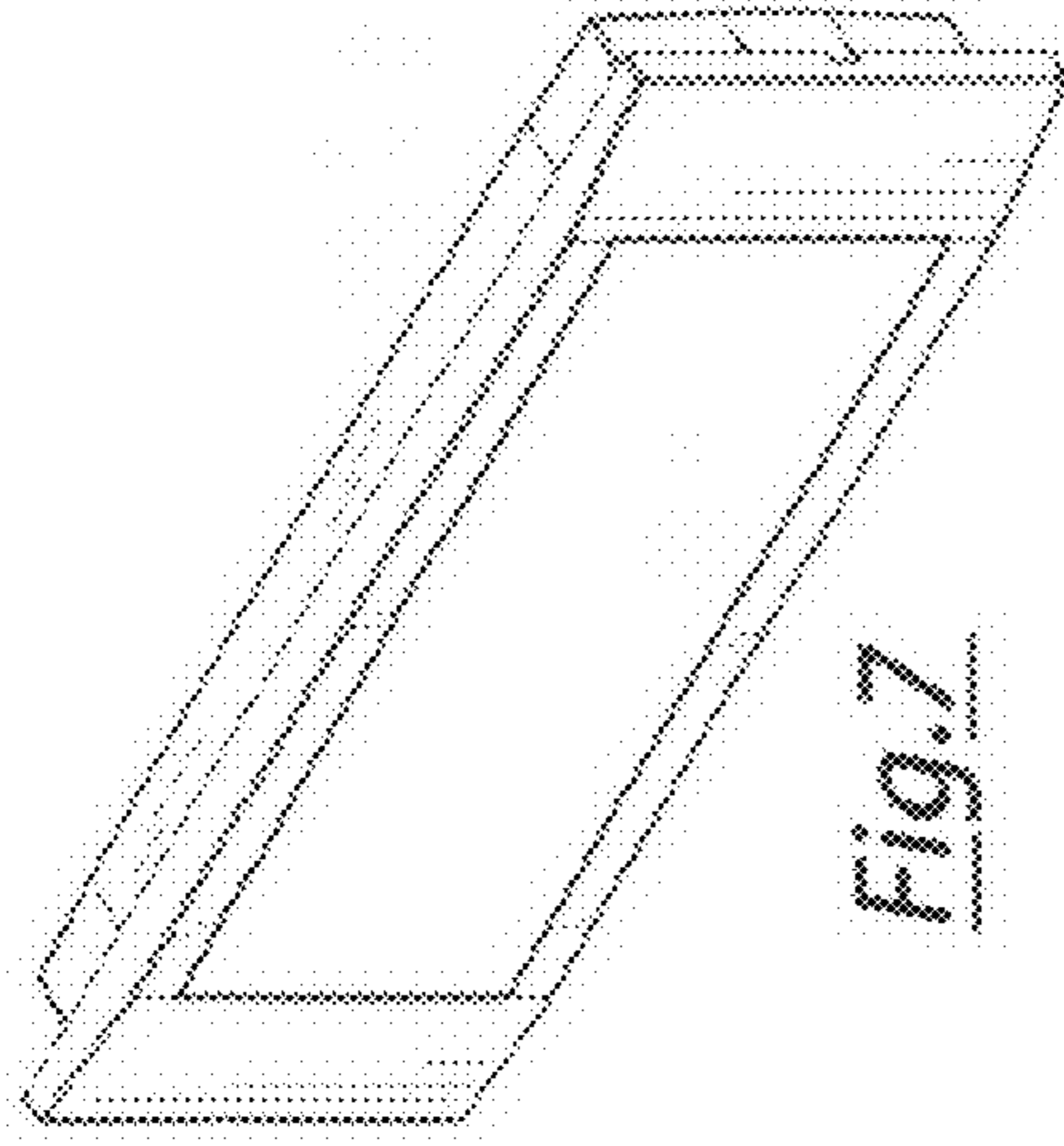


Fig. 7

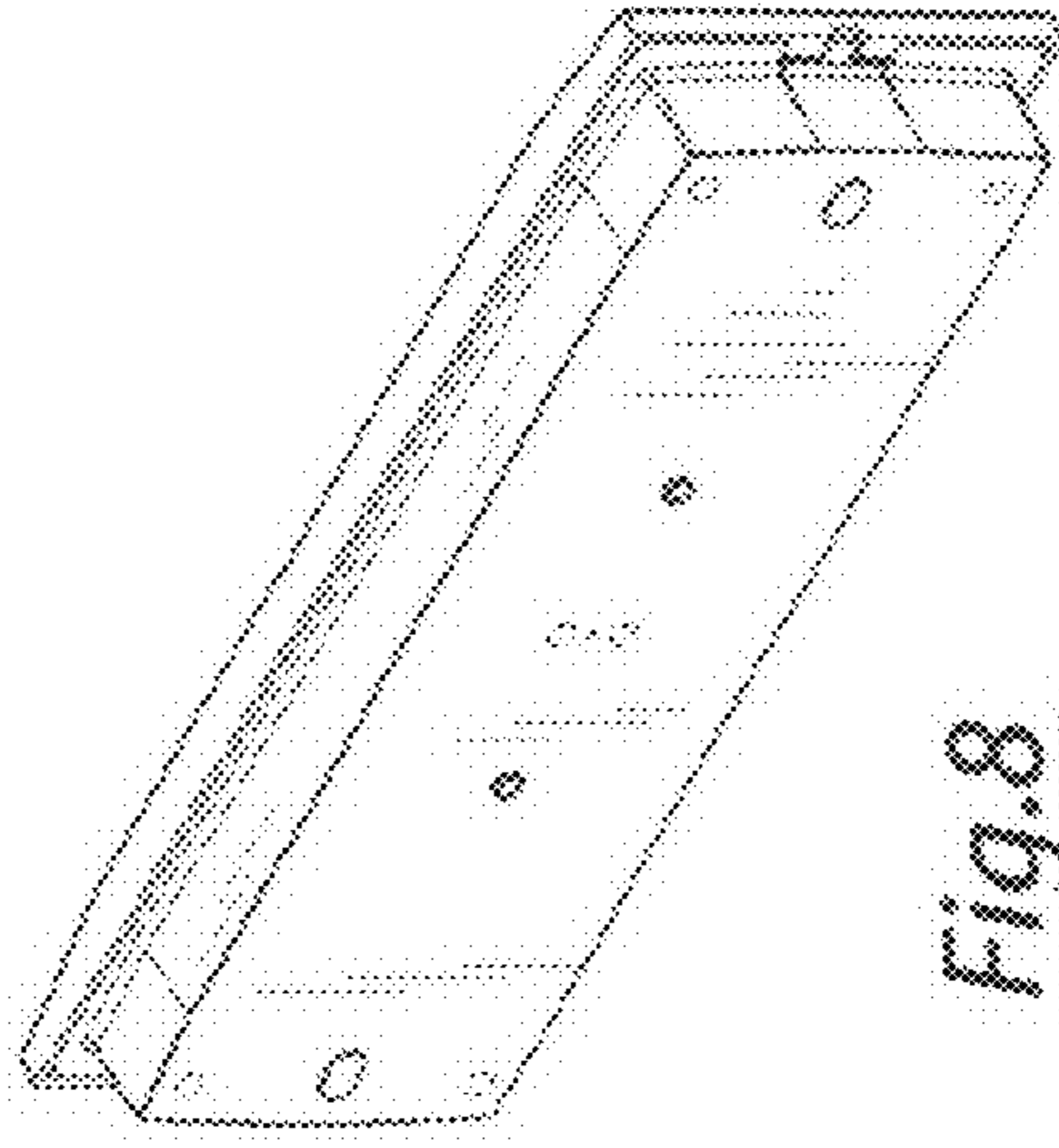


Fig. 8