



US00D647237S

(12) **United States Design Patent**
Su

(10) **Patent No.:** **US D647,237 S**

(45) **Date of Patent:** **** Oct. 18, 2011**

(54) **LUMINAIRE HEAD FOR STREET LAMP**

(75) **Inventor:** **Chun-nan Su**, Tainan (TW)

(73) **Assignee:** **T.Y.C. Brother Industrial Co., Ltd.**,
Tainan (TW)

(**) **Term:** **14 Years**

(21) **Appl. No.:** **29/385,686**

(22) **Filed:** **Feb. 17, 2011**

(51) **LOC (9) Cl.** **26-05**

(52) **U.S. Cl.** **D26/71**

(58) **Field of Classification Search** D26/67-71,
D26/85, 92; 362/145, 183, 231, 240, 249.02,
362/249.03, 249.04, 249.06, 249.16, 373,
362/311.02, 697, 547, 431, 432
See application file for complete search history.

(56) **References Cited**

U.S. PATENT DOCUMENTS

D170,877 S *	11/1953	Loehr	D26/71
D194,991 S *	4/1963	Hisky	D26/71
D201,909 S *	8/1965	Harling	D26/71
D203,217 S *	12/1965	Greenhaw	D26/71
D573,741 S *	7/2008	Lou	D26/71

7,420,811 B2 *	9/2008	Chan	361/709
D605,328 S *	12/2009	Wang et al.	D26/71
D622,889 S *	8/2010	Zheng	D26/71
D636,518 S *	4/2011	Nevins	D26/71
2009/0310381 A1 *	12/2009	Chang et al.	362/555

* cited by examiner

Primary Examiner — Clare E Heflin

(74) *Attorney, Agent, or Firm* — Cheng-Ju Chiang

(57) **CLAIM**

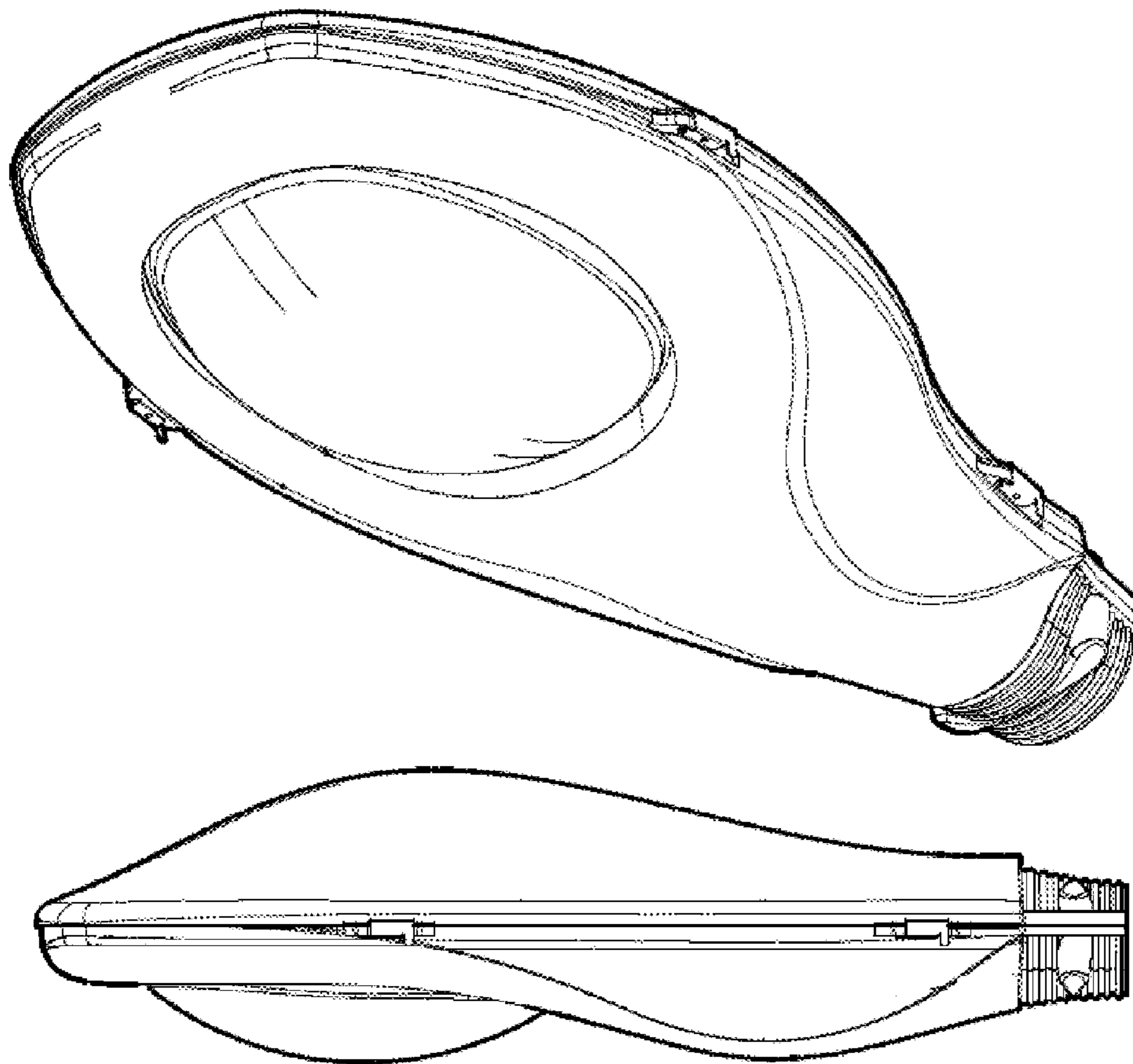
The ornamental design for a luminaire head for street lamp, as shown and described.

DESCRIPTION

FIG. 1 is a perspective view of a luminaire head for a street lamp showing my new design; FIG. 2 is a front view thereof; FIG. 3 is a rear view thereof; FIG. 4 is a left side view thereof; FIG. 5 is a right side view thereof; FIG. 6 is a top view thereof; FIG. 7 is a bottom view thereof; and, FIG. 8 is another perspective view thereof.

The broken lines shown on the drawings depict environment only and form no part of the claimed design.

1 Claim, 5 Drawing Sheets



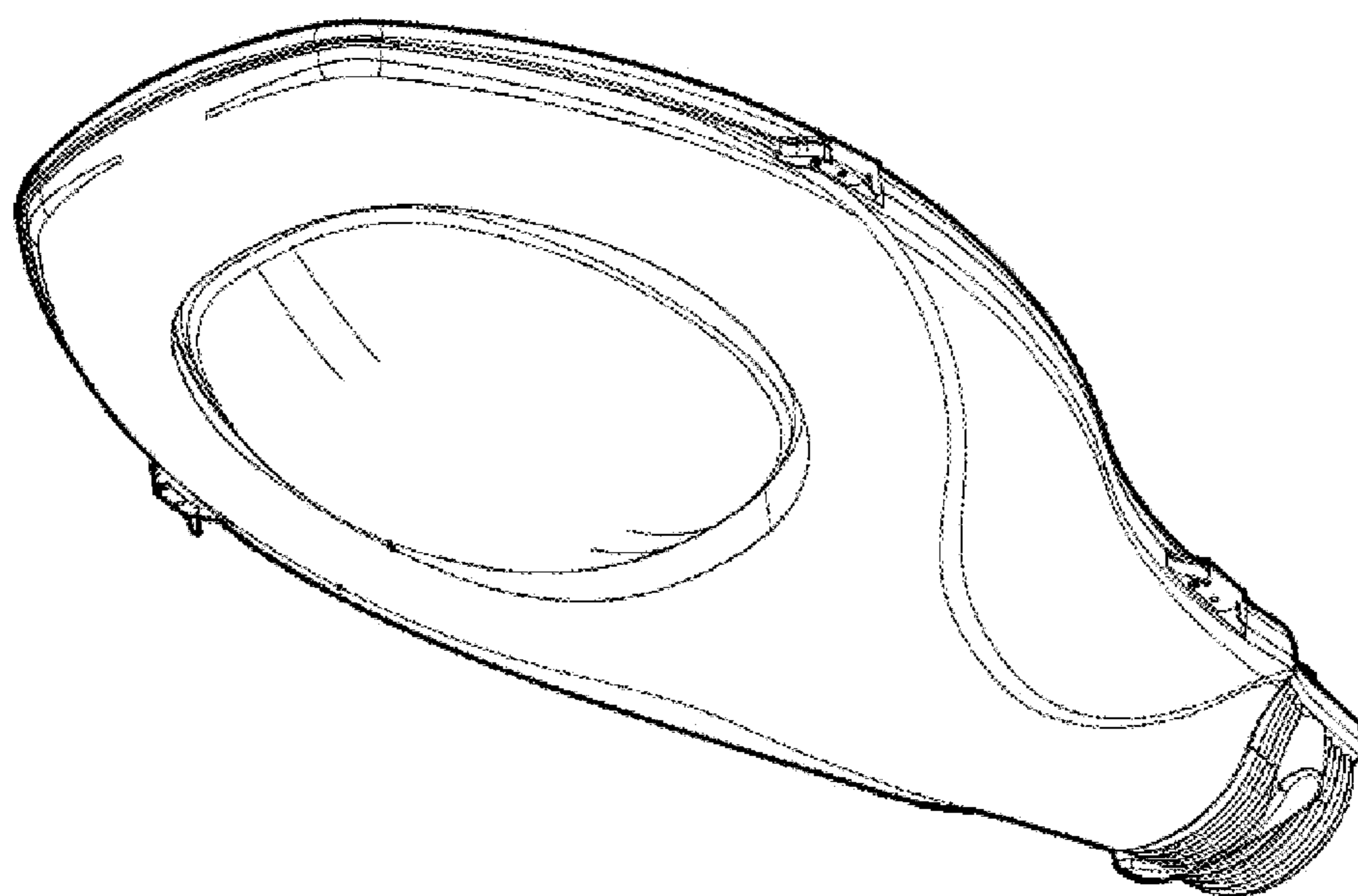


FIG. 1

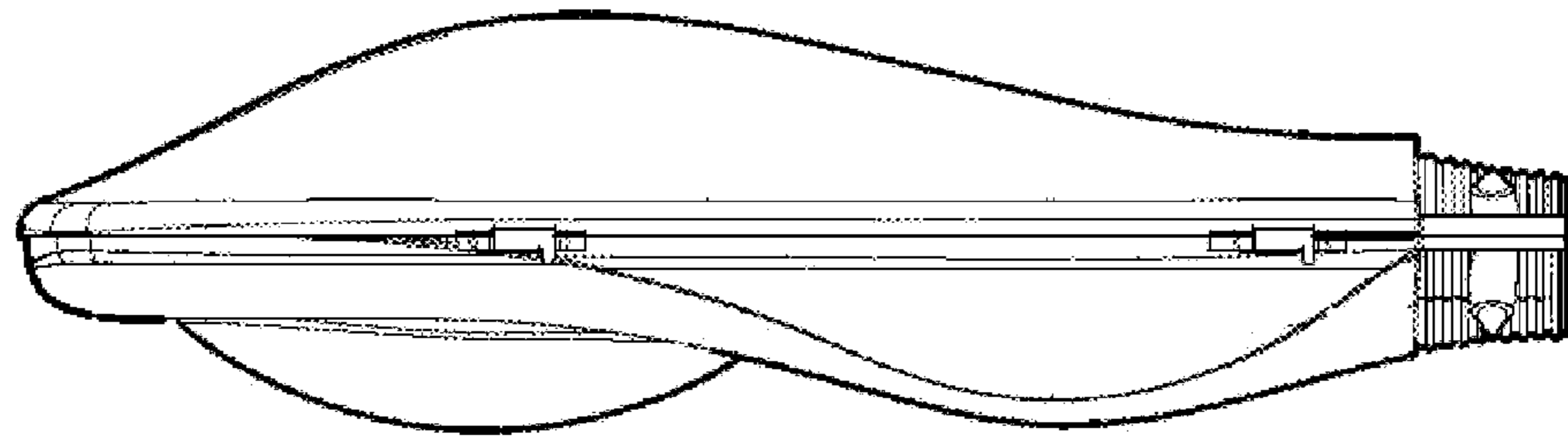


FIG. 2

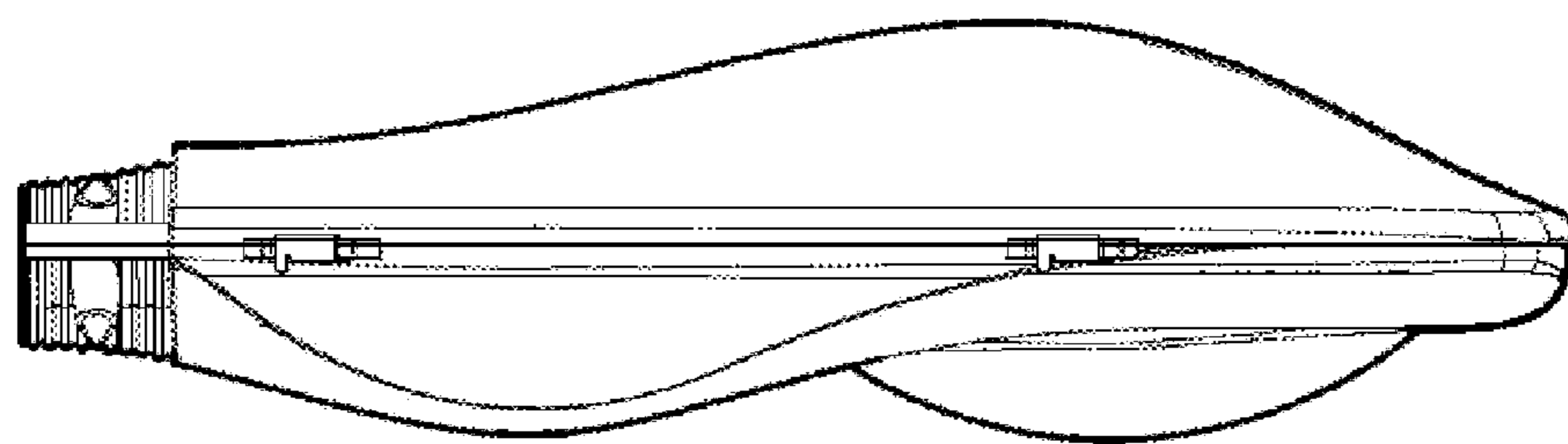


FIG. 3

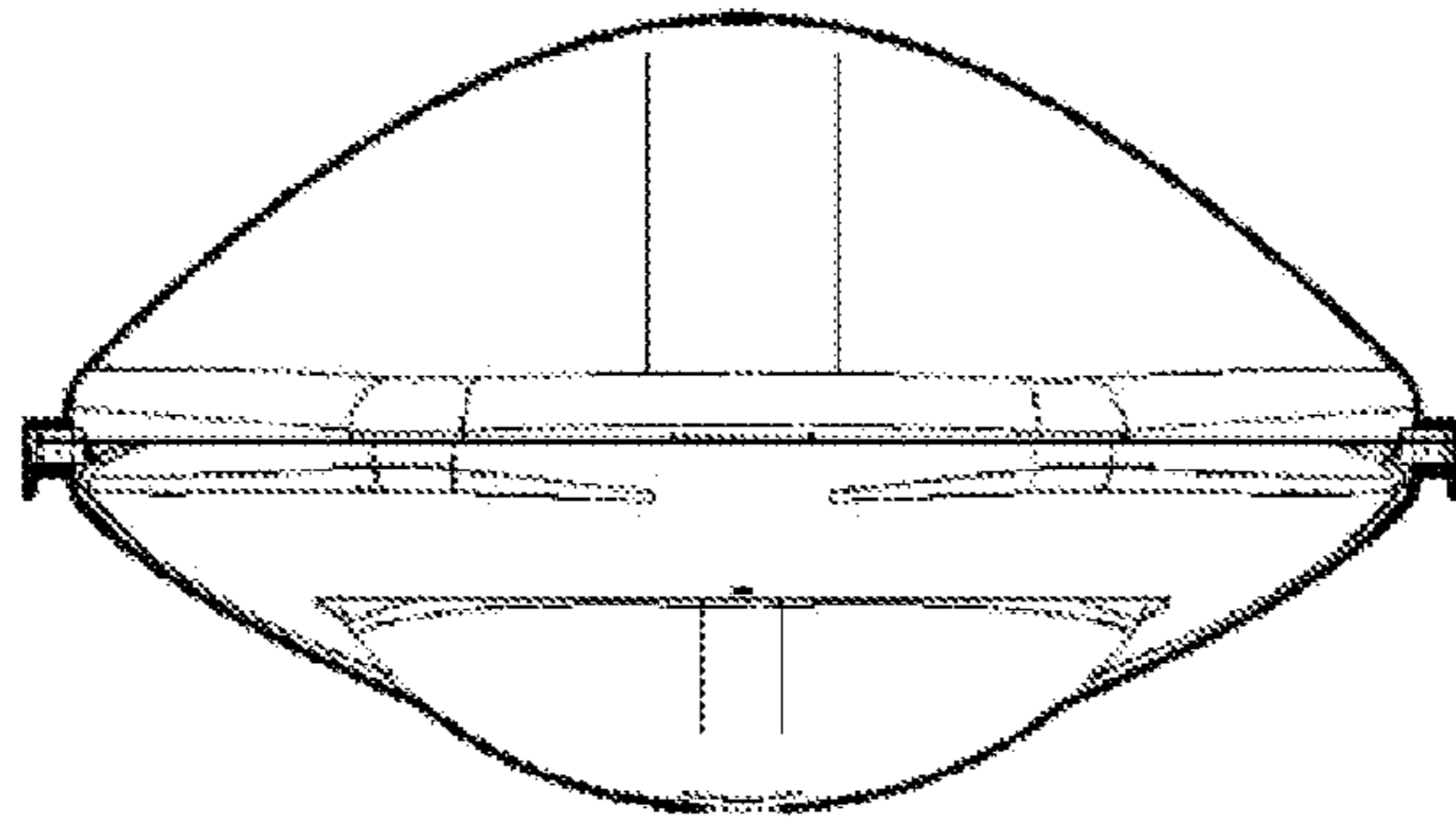


FIG. 4

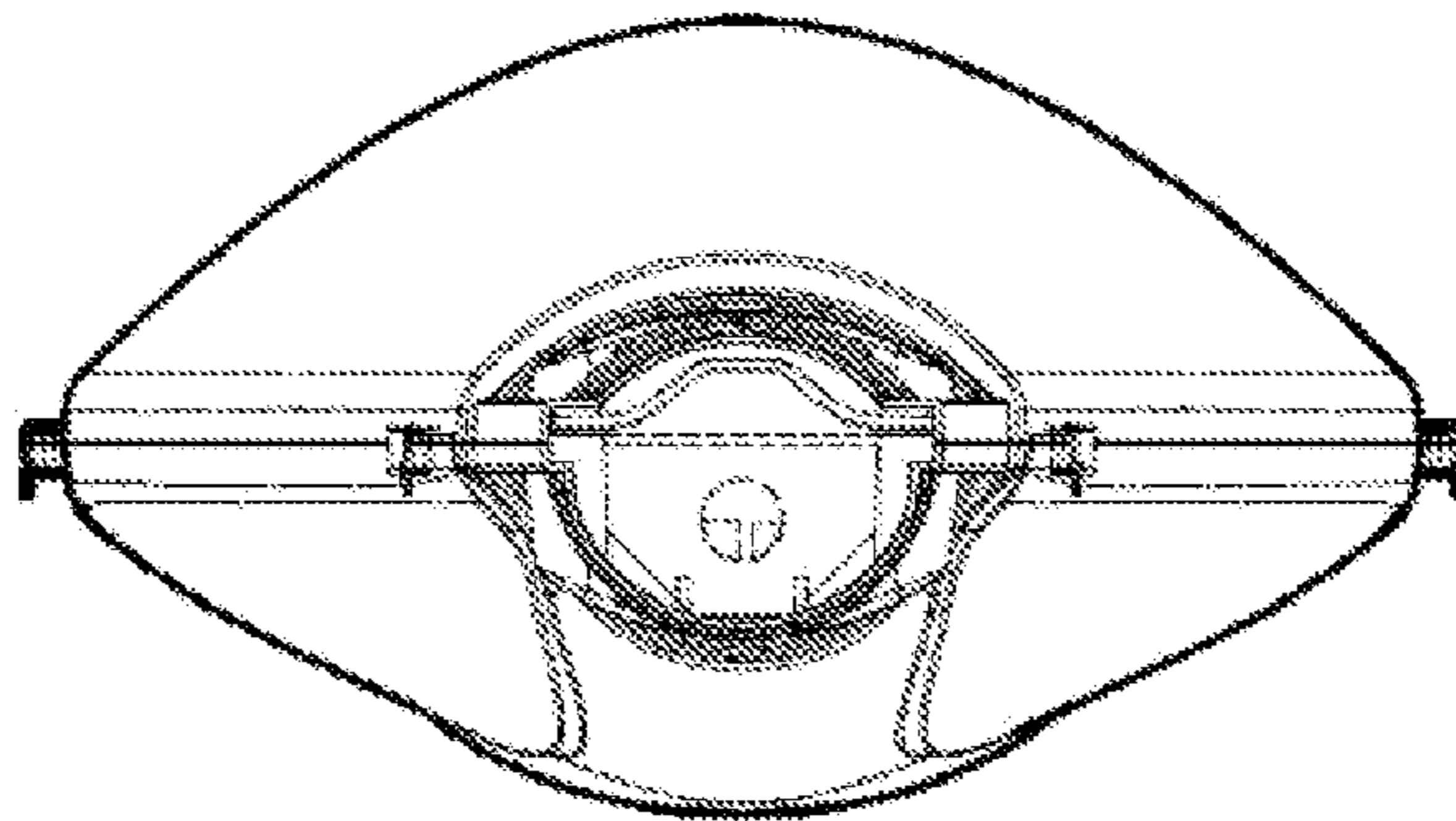


FIG. 5

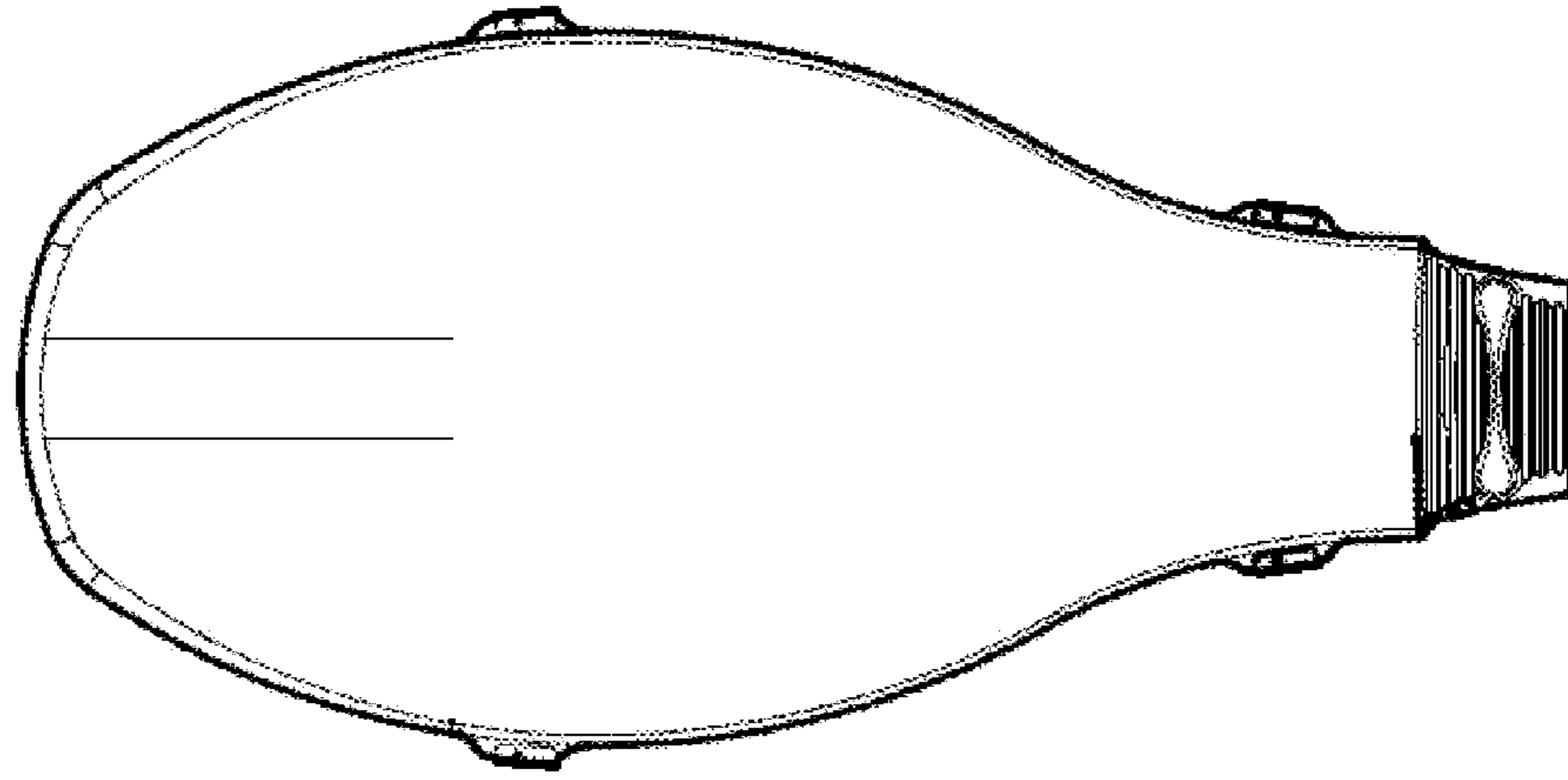


FIG. 6

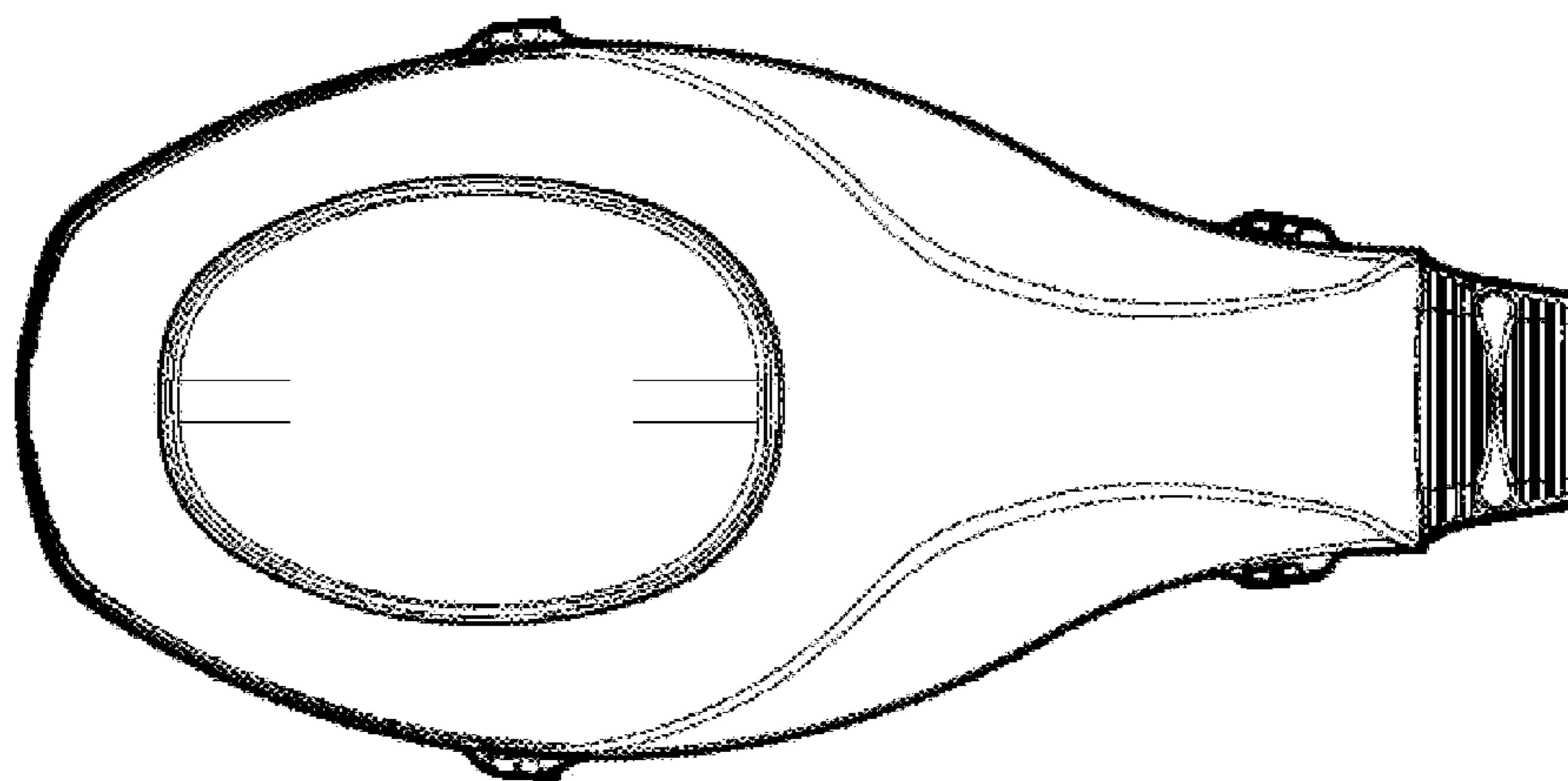


FIG. 7

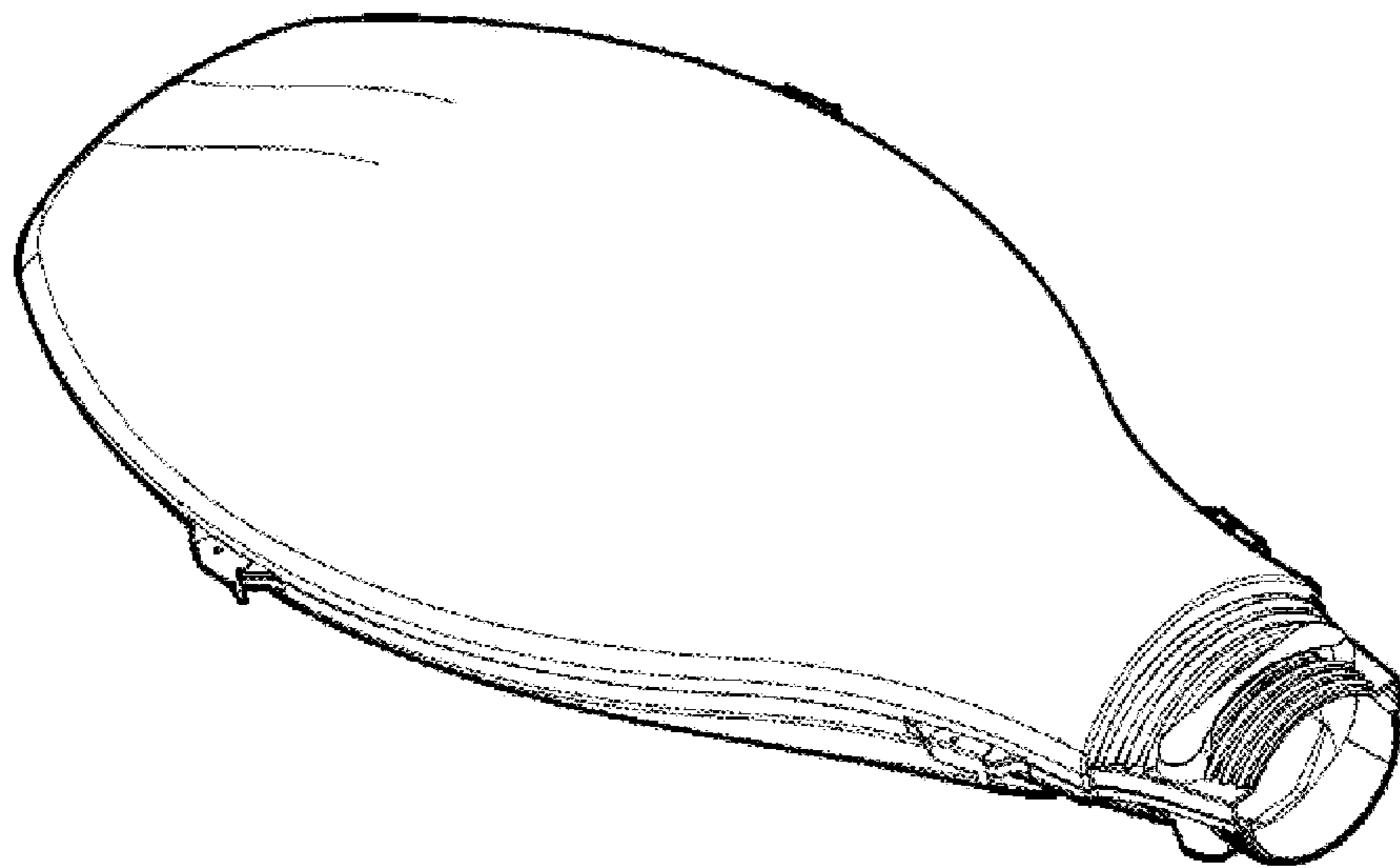


FIG. 8