



US00D647235S

(12) **United States Design Patent**
Nankil

(10) **Patent No.:** **US D647,235 S**

(45) **Date of Patent:** **** Oct. 18, 2011**

(54) **LIGHTING FIXTURE HAVING STRUTS**

(75) Inventor: **Robert R. Nankil**, Buena Park, CA (US)

(73) Assignee: **Hubbell Incorporated**, Shelton, CT (US)

(**) Term: **14 Years**

(21) Appl. No.: **29/347,584**

(22) Filed: **Mar. 8, 2010**

(51) **LOC (9) Cl.** **26-05**

(52) **U.S. Cl.** **D26/67**

(58) **Field of Classification Search** D26/67-71,
D26/73, 85, 101, 125, 128; 362/147, 152,
362/153, 153.1, 183, 185, 431, 653
See application file for complete search history.

(56) **References Cited**

U.S. PATENT DOCUMENTS

999,813 A	8/1911	Losey	
1,019,246 A	3/1912	Godinez et al.	
1,082,753 A	12/1913	Losey	
1,473,380 A	11/1923	Peterson	
1,732,745 A	10/1929	Erskine	
D100,556 S *	7/1936	Gosling	D26/67
D125,314 S *	2/1941	Proulx	D26/67
D154,302 S	6/1949	Palmquist	
2,523,818 A	9/1950	Cortes	
2,793,285 A	5/1957	Brainerd	
D185,974 S	8/1959	Rambusch et al.	
D194,624 S *	2/1963	Pettengill	D26/67

(Continued)

FOREIGN PATENT DOCUMENTS

GB 2025424 9/1992

(Continued)

OTHER PUBLICATIONS

Architectural Area Lighting, Venere Series Catalog, Jan. 2007, pp. 1-20, US.

Primary Examiner — Clare E Heflin

(74) *Attorney, Agent, or Firm* — Garrett V. Davis; Mark S. Bicks; Alfred N. Goodman

(57) **CLAIM**

The ornamental design for a lighting fixture having struts, as shown and described.

DESCRIPTION

FIG. 1 is a top plan view of a lighting fixture having struts according to a first embodiment of the invention;

FIG. 2 is a top perspective view of the lighting fixture illustrated in FIG. 1;

FIG. 3 is a front elevational view of the lighting fixture illustrated in FIGS. 1 and 2, the back elevational view being the mirror image thereof;

FIG. 4 is a left side elevational view of the lighting fixture illustrated in FIGS. 1-3, the right side being the mirror image thereof;

FIG. 5 is a bottom plan view of the lighting fixture illustrated in FIGS. 1-4;

FIG. 6 is a bottom perspective view of the lighting fixture illustrated in FIGS. 1-5;

FIG. 7 is a top plan view of a lighting fixture having struts according to a second embodiment;

FIG. 8 is a top perspective view of the lighting fixture illustrated in FIG. 7;

FIG. 9 is a front elevational view of the lighting fixture illustrated in FIGS. 7 and 8, the back elevational view being the same as the front elevational view;

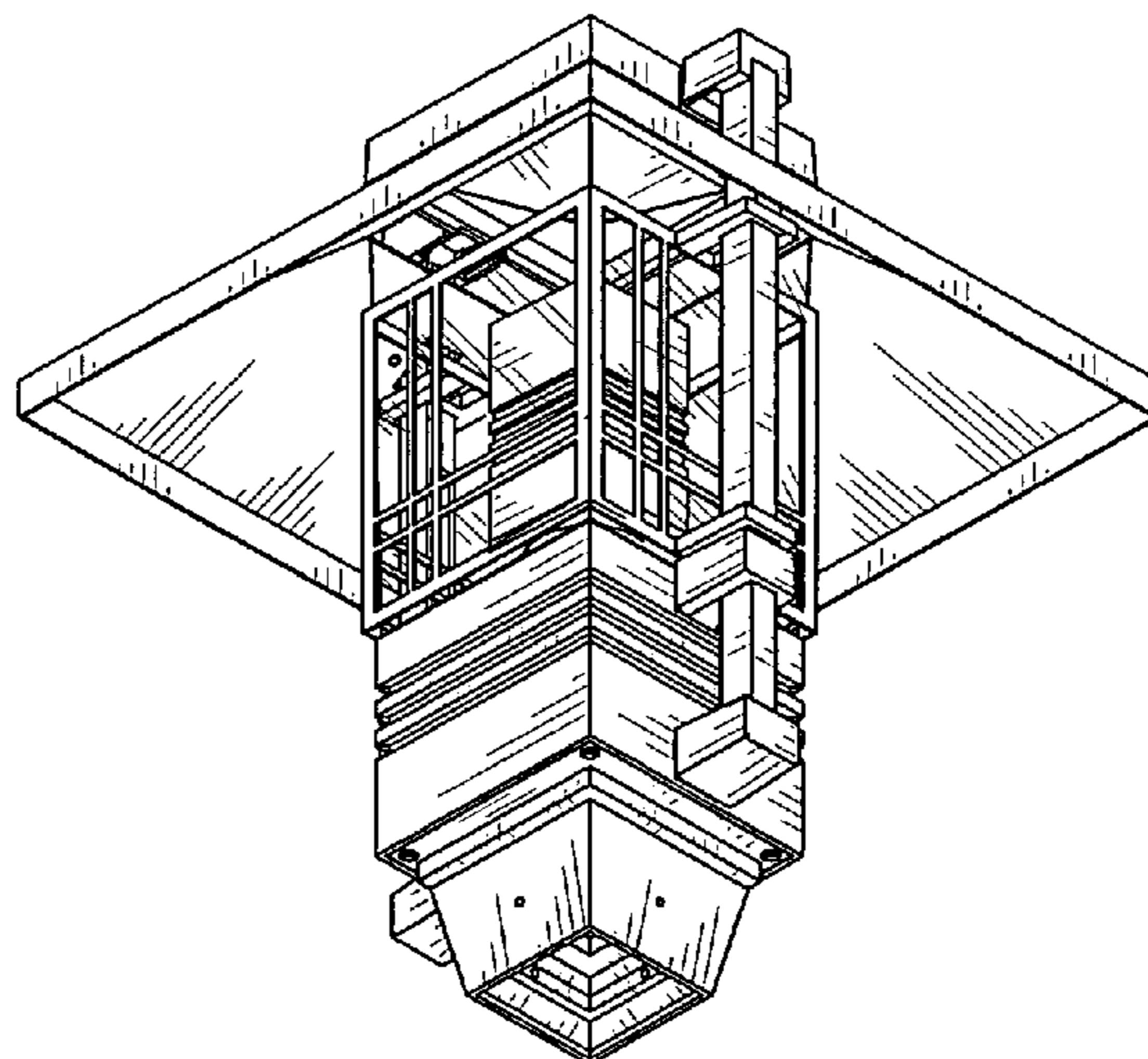
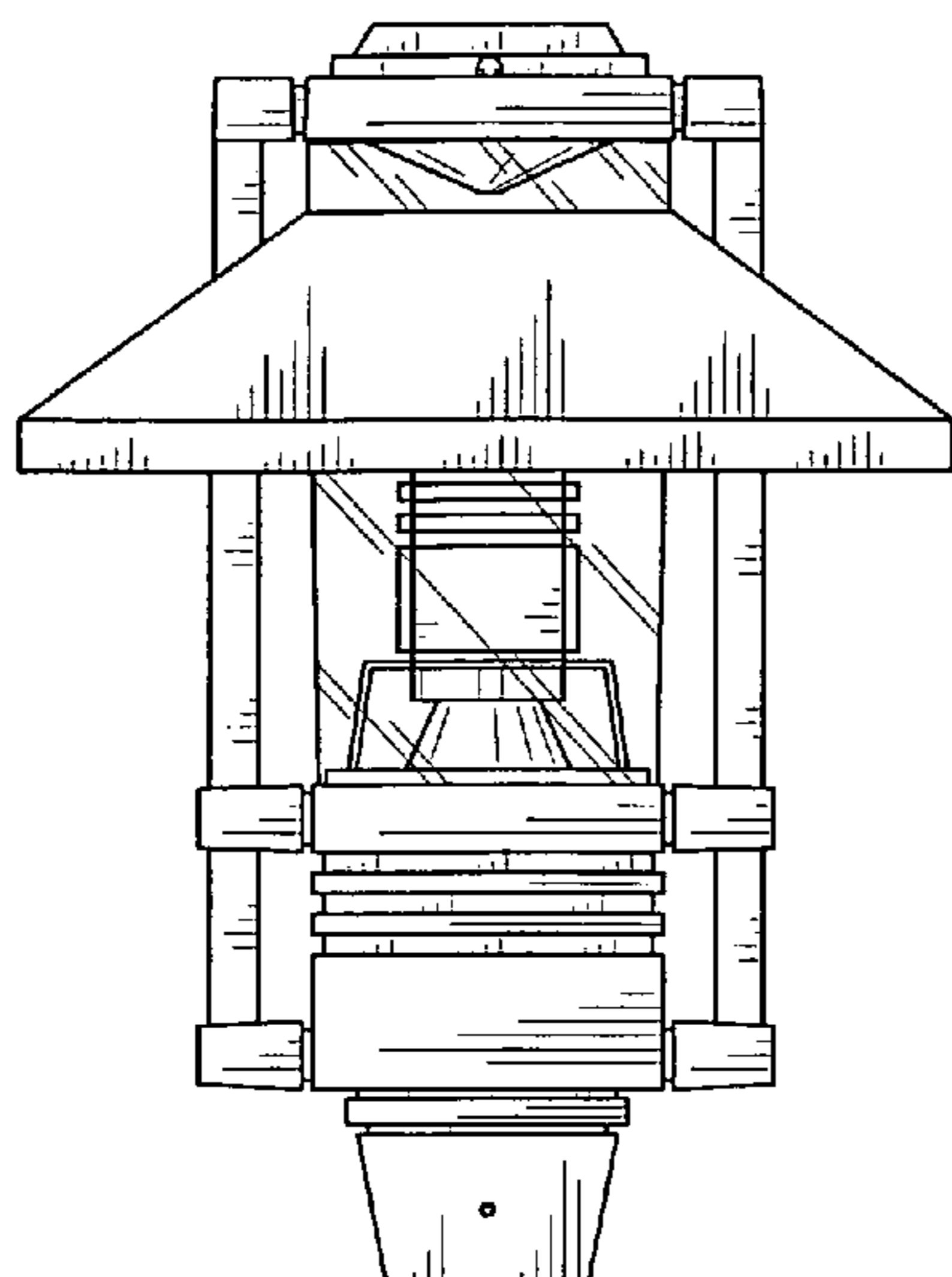
FIG. 10 is a left side elevational view of the lighting fixture illustrated in FIGS. 7-9, the right side being the same as the right side elevational view;

FIG. 11 is a bottom plan view of the lighting fixture illustrated in FIGS. 7-10;

FIG. 12 is a bottom perspective view of the lighting fixture illustrated in FIGS. 7-11; and,

FIG. 13 is a top plan view of a lighting fixture having struts according to a third embodiment.

1 Claim, 7 Drawing Sheets



US D647,235 S

Page 2

U.S. PATENT DOCUMENTS

D199,266 S * 9/1964 Izzi et al. D26/67
D199,409 S * 10/1964 Von Steenhoven D26/67
3,194,952 A 7/1965 Wells
D208,659 S 9/1967 Koziol
D211,277 S * 6/1968 Layton D26/104
D219,022 S * 10/1970 Yamazaki D23/210
3,833,804 A 9/1974 Vesely
D235,677 S * 7/1975 Goldberg D26/68
4,069,415 A 1/1978 Dacal
D298,861 S 12/1988 Ewing et al.
4,858,088 A 8/1989 Agabekov
4,951,184 A 8/1990 Makurof
D338,977 S 8/1993 Ewing et al.
5,384,694 A 1/1995 Yang
5,430,631 A 7/1995 Dick
D427,349 S 6/2000 Landefeld
D427,350 S 6/2000 Landefeld
D427,351 S 6/2000 Landefeld
D427,705 S 7/2000 Landefeld
D444,584 S * 7/2001 Landefeld D26/67
D453,388 S 2/2002 Leen
D465,296 S * 11/2002 DiPasquale D26/67
6,494,599 B1 12/2002 Leen
D473,333 S 4/2003 Willmorth
D506,281 S 6/2005 Randazzo et al.
D518,221 S 3/2006 Randazzo et al.
7,066,613 B2 6/2006 Vishwamitra

D524,475 S 7/2006 Randazzo et al.
D537,556 S 2/2007 Summerford et al.
D553,286 S 10/2007 Chung et al.
D563,584 S * 3/2008 Lee et al. D26/67
7,387,409 B1 6/2008 Beadle
D580,581 S 11/2008 Grant
D583,494 S 12/2008 Friedman et al.
7,473,016 B2 1/2009 Flaherty et al.
D589,194 S 3/2009 Sabernig
D597,696 S 8/2009 Sabernig
D601,291 S * 9/2009 Nankil D26/67
D629,949 S * 12/2010 Ho D26/67
2003/0202340 A1 10/2003 Wu
2006/0274537 A1 12/2006 Randazzo

FOREIGN PATENT DOCUMENTS

GB 2044993 2/1995
GB 2046752 4/1995
GB 2057479 7/1996
GB 2088112 11/1999
GB 3005118 7/2002
GB 3009606 12/2002
GB 3010811 2/2003
GB 3010812 2/2003
GB 3010813 2/2003
GB 4005870 1/2008

* cited by examiner

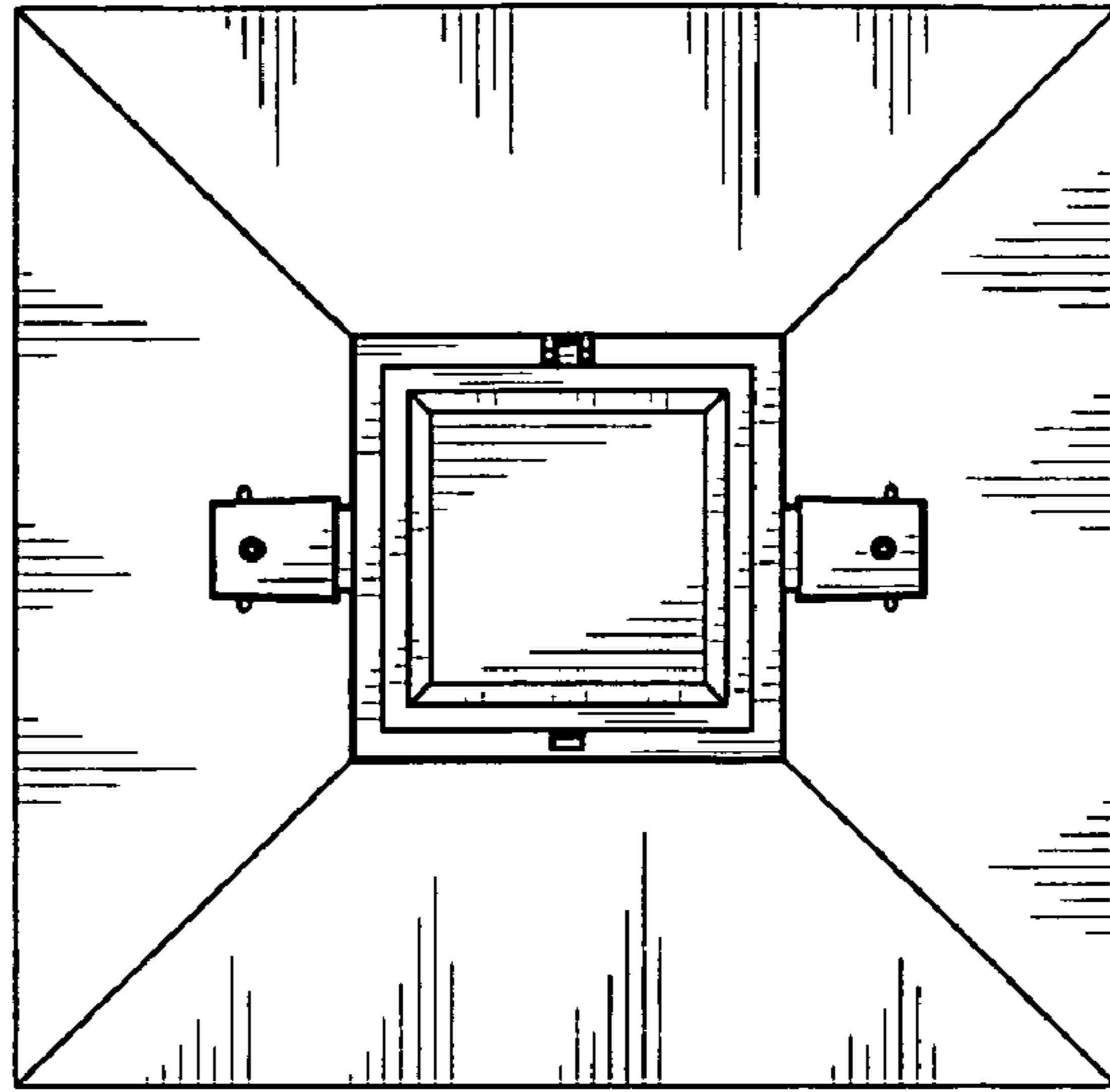


FIG. 1

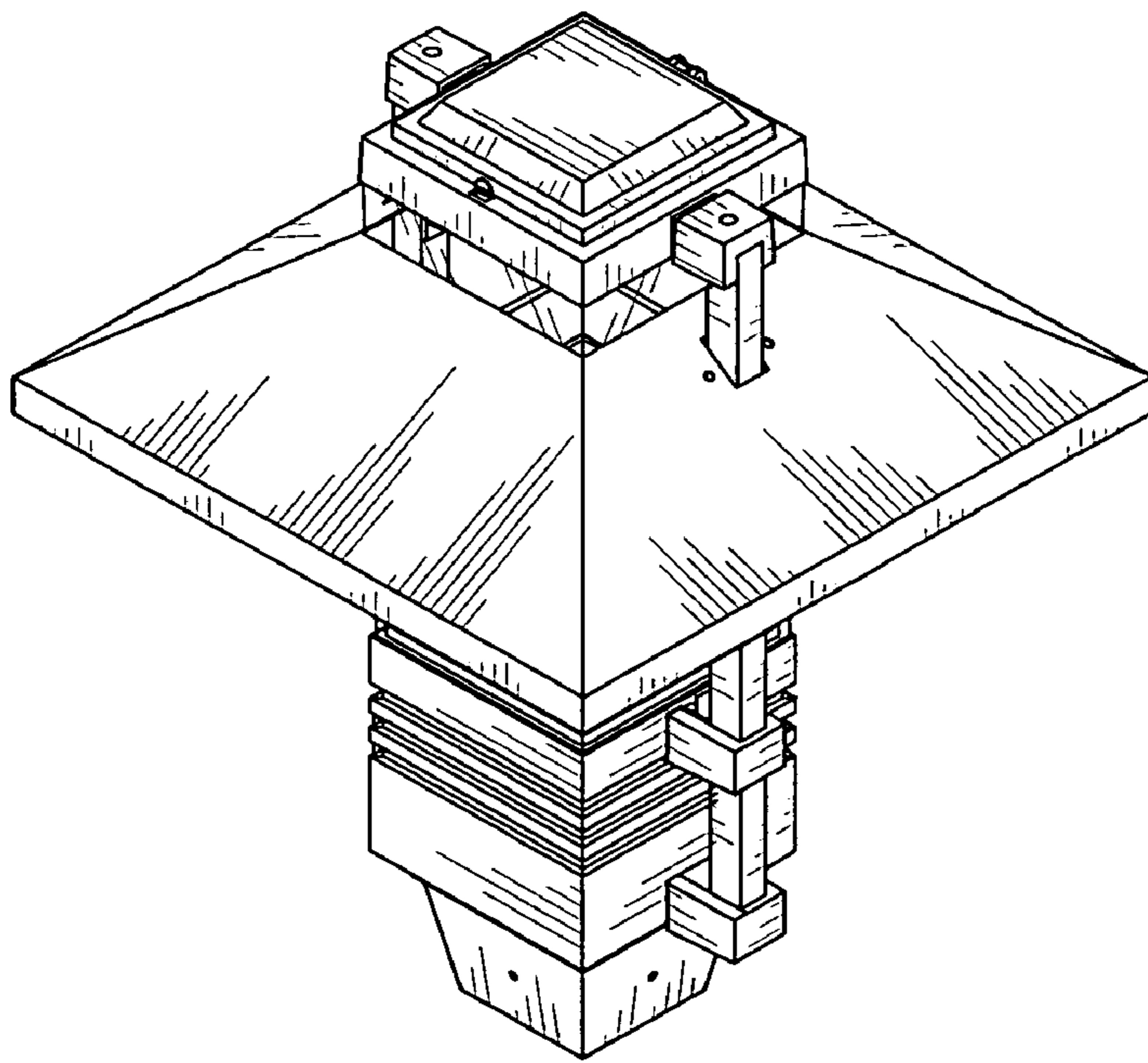


FIG. 2

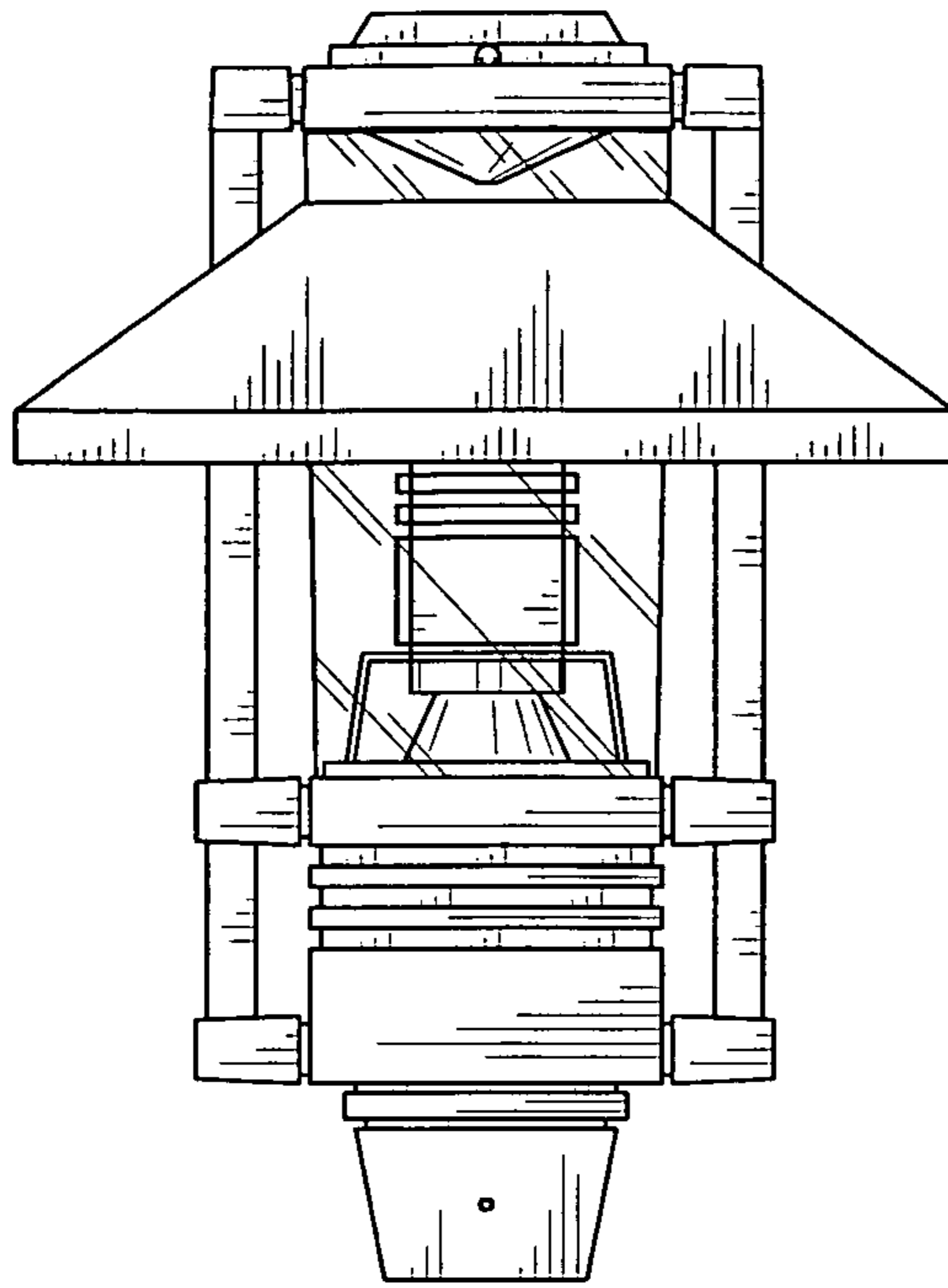


FIG. 3

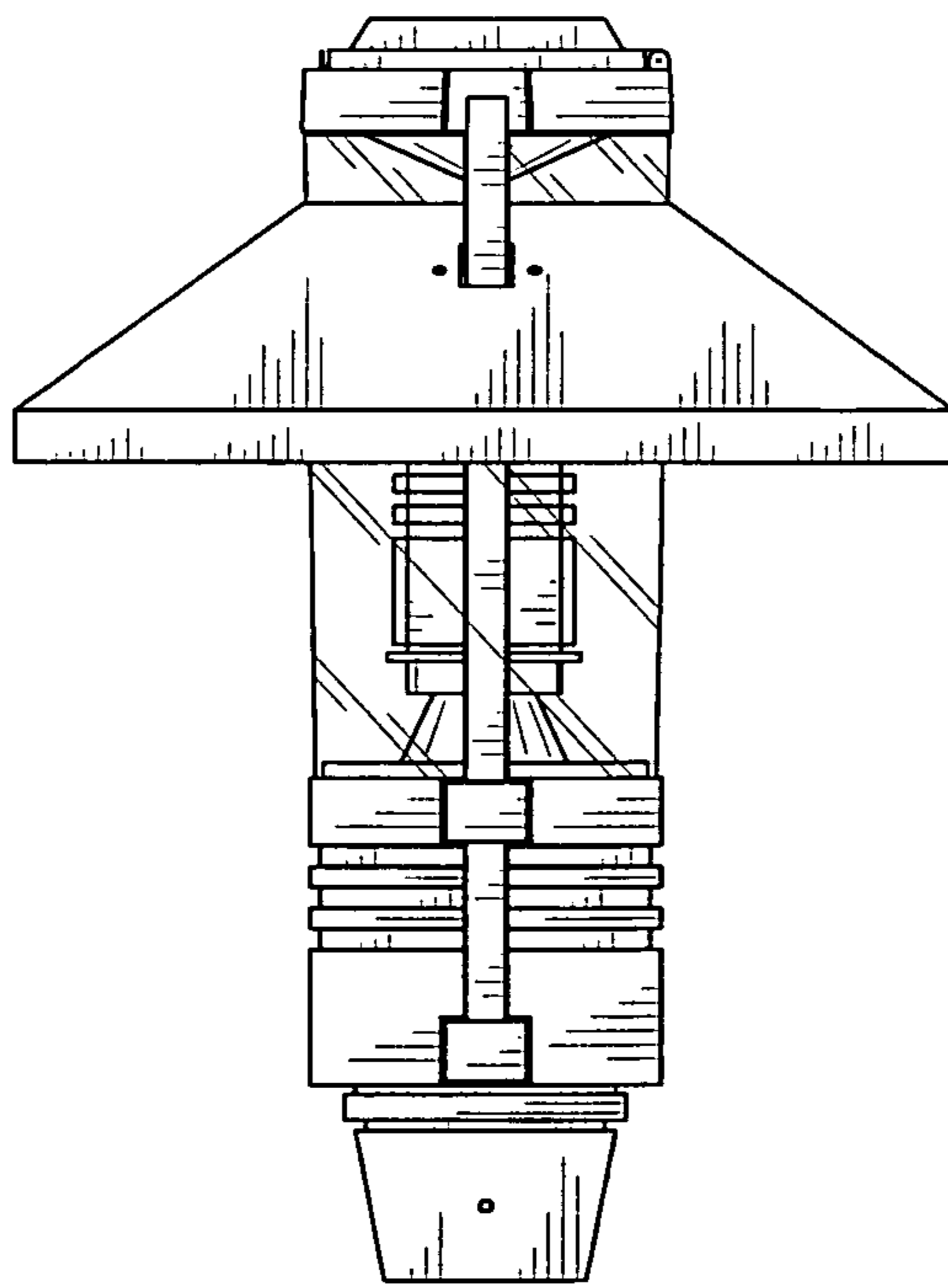


FIG. 4

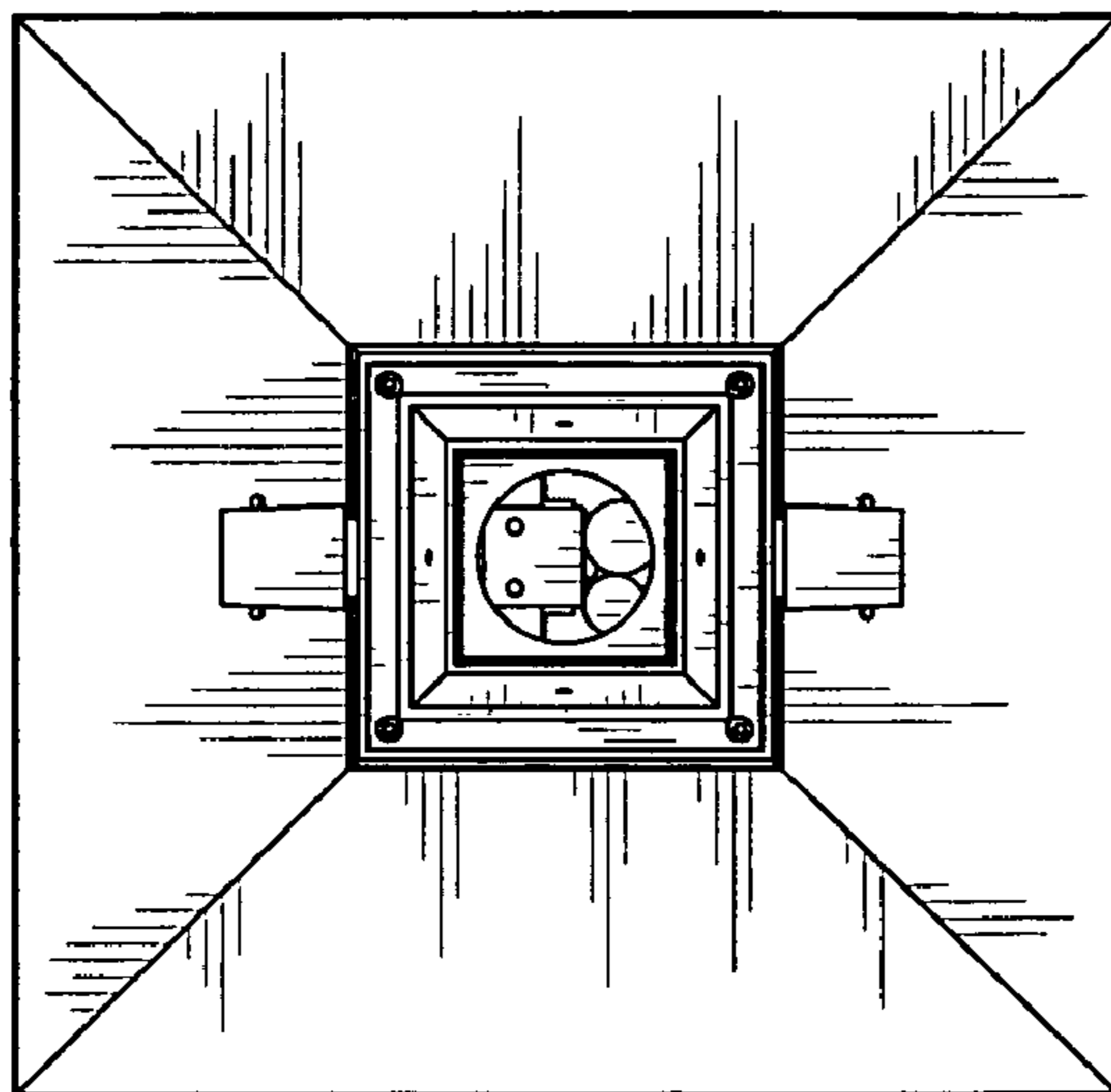


FIG. 5

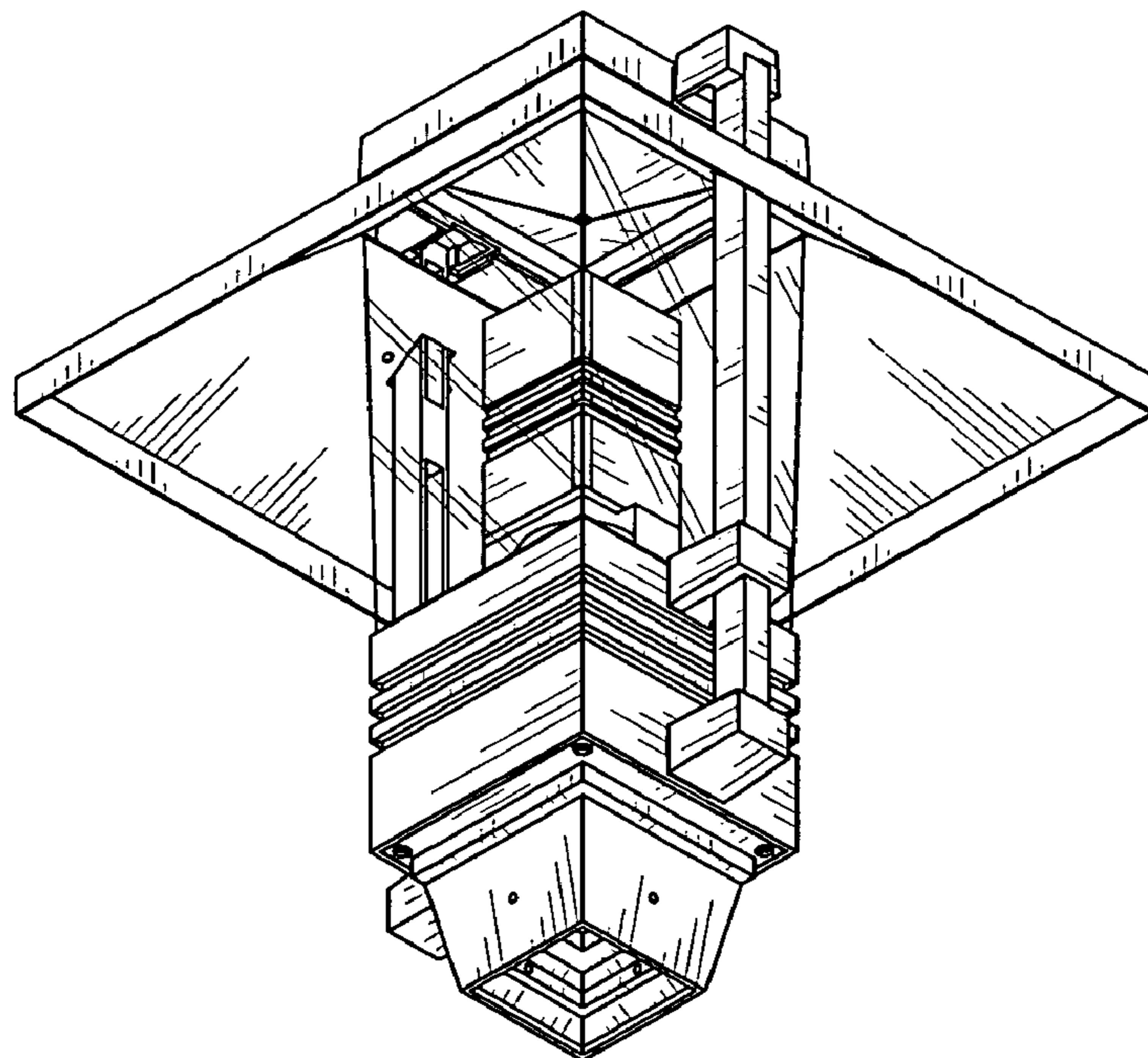


FIG. 6

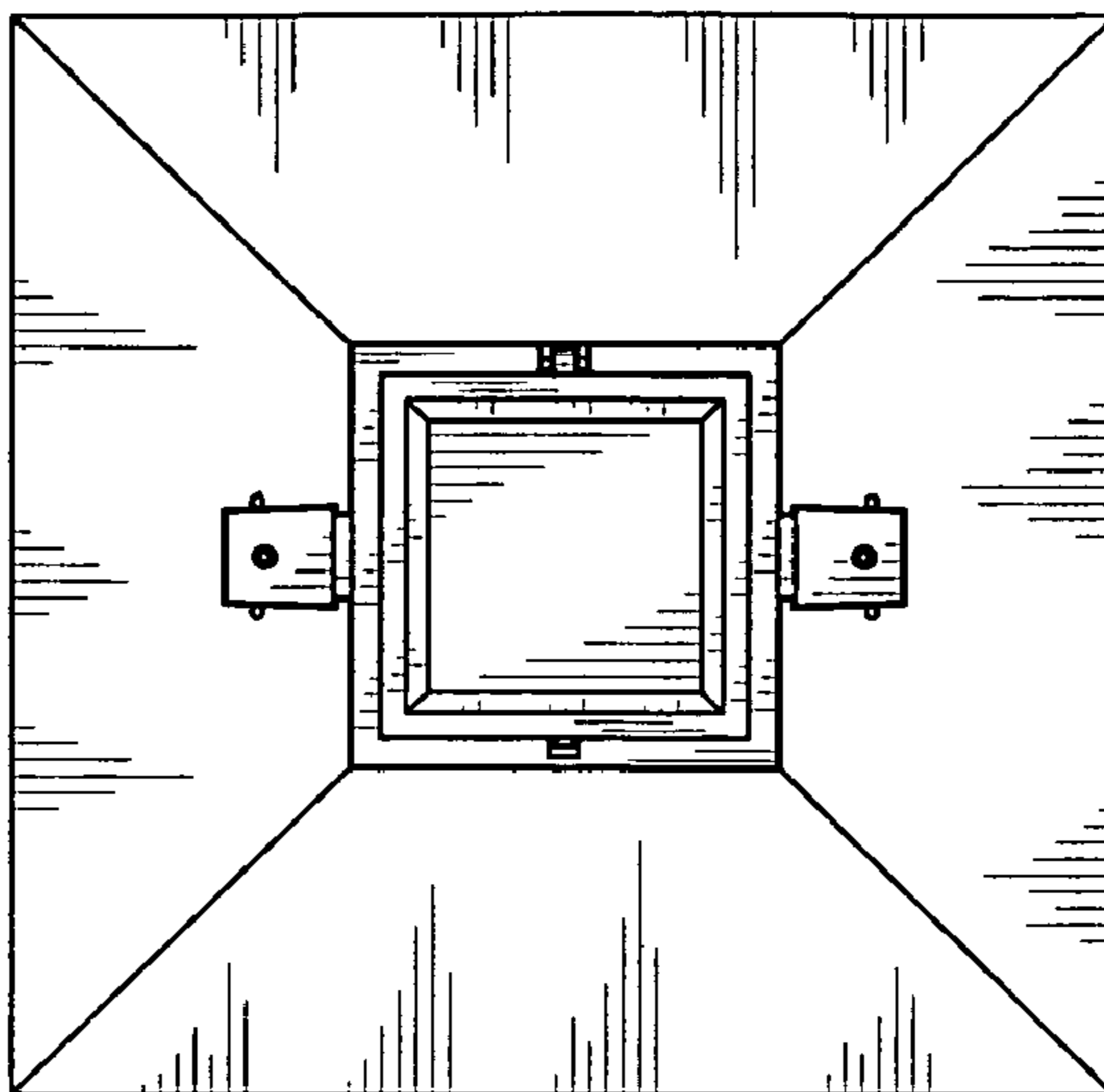


FIG. 7

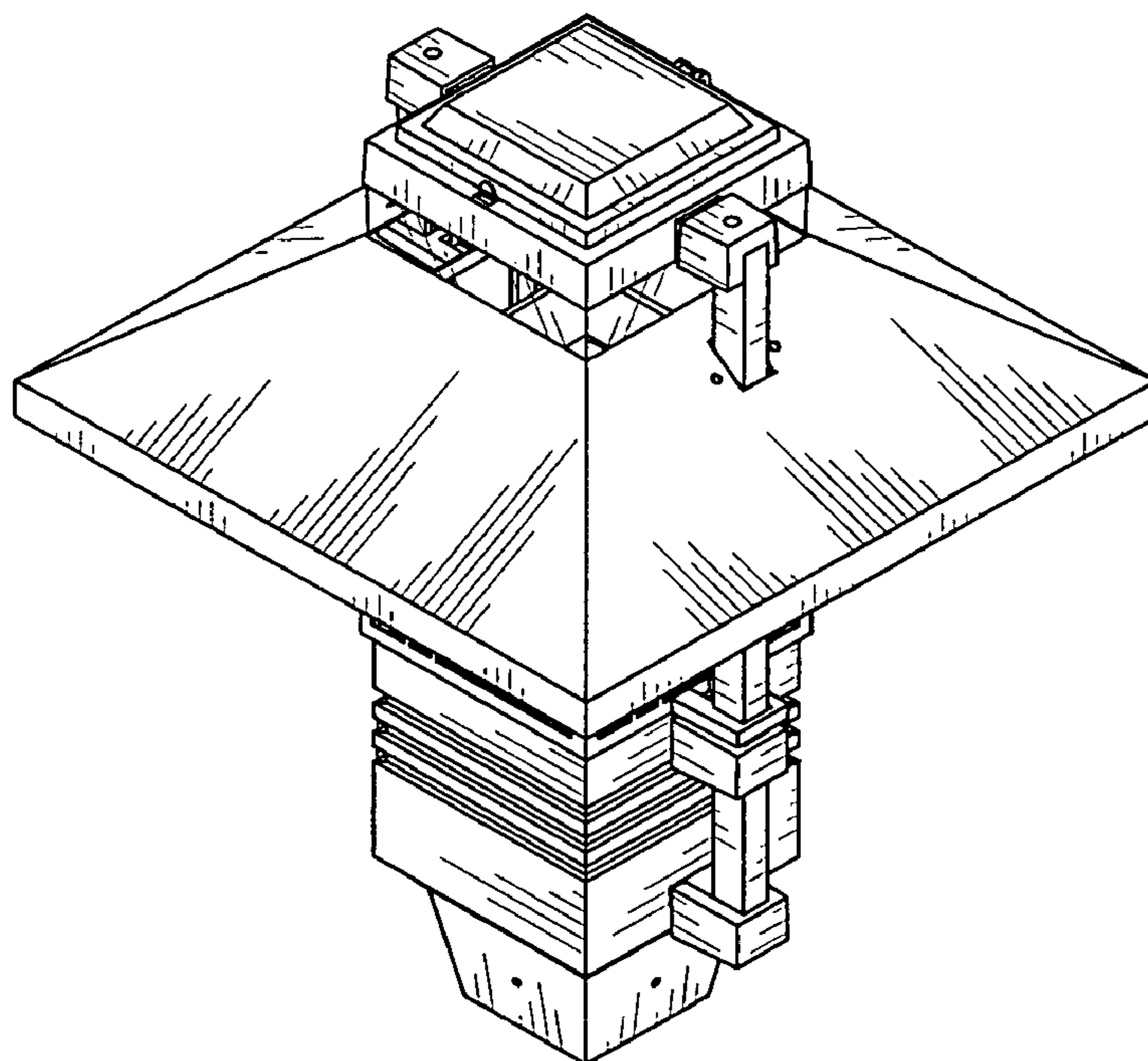


FIG. 8

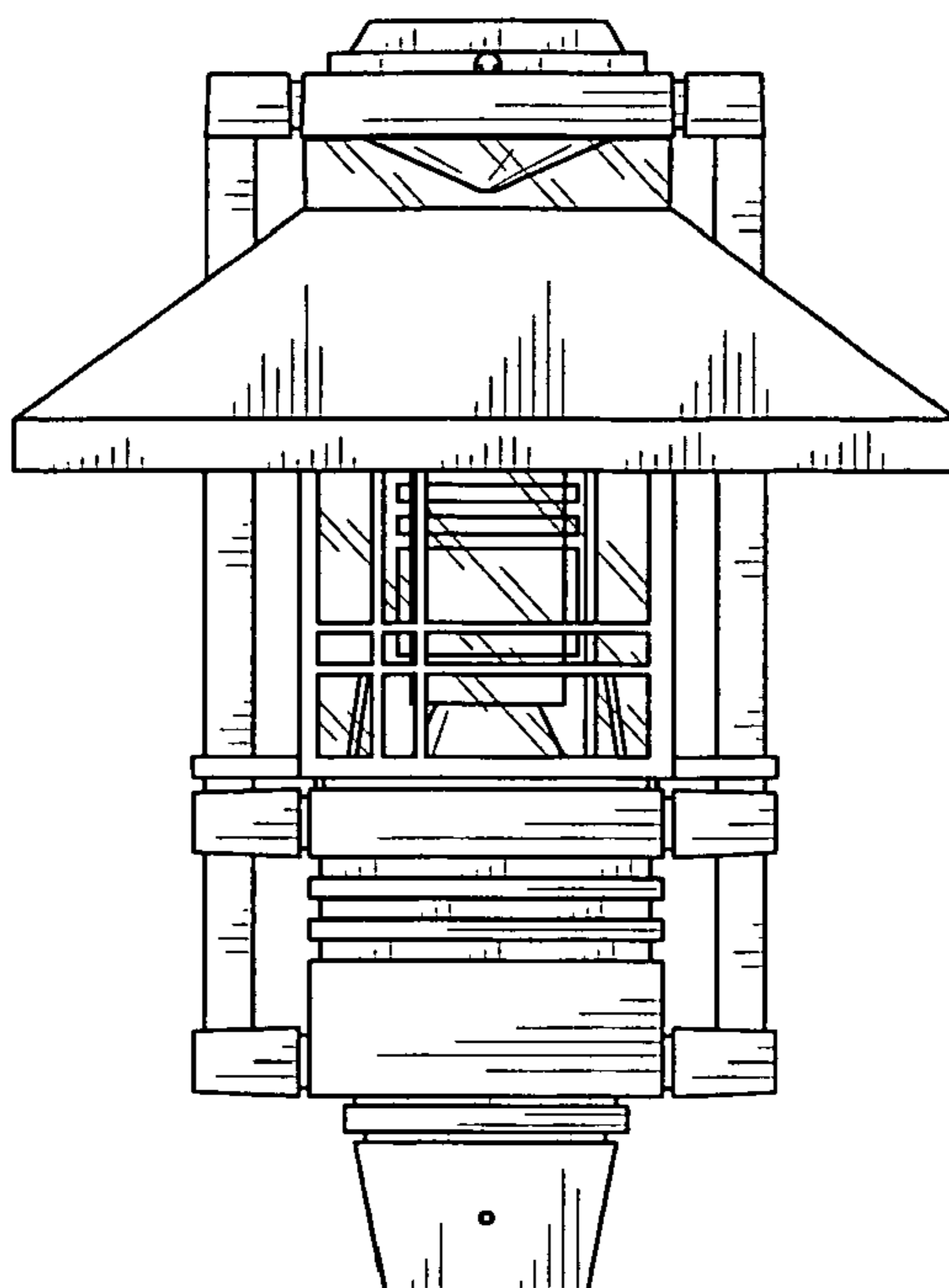


FIG. 9

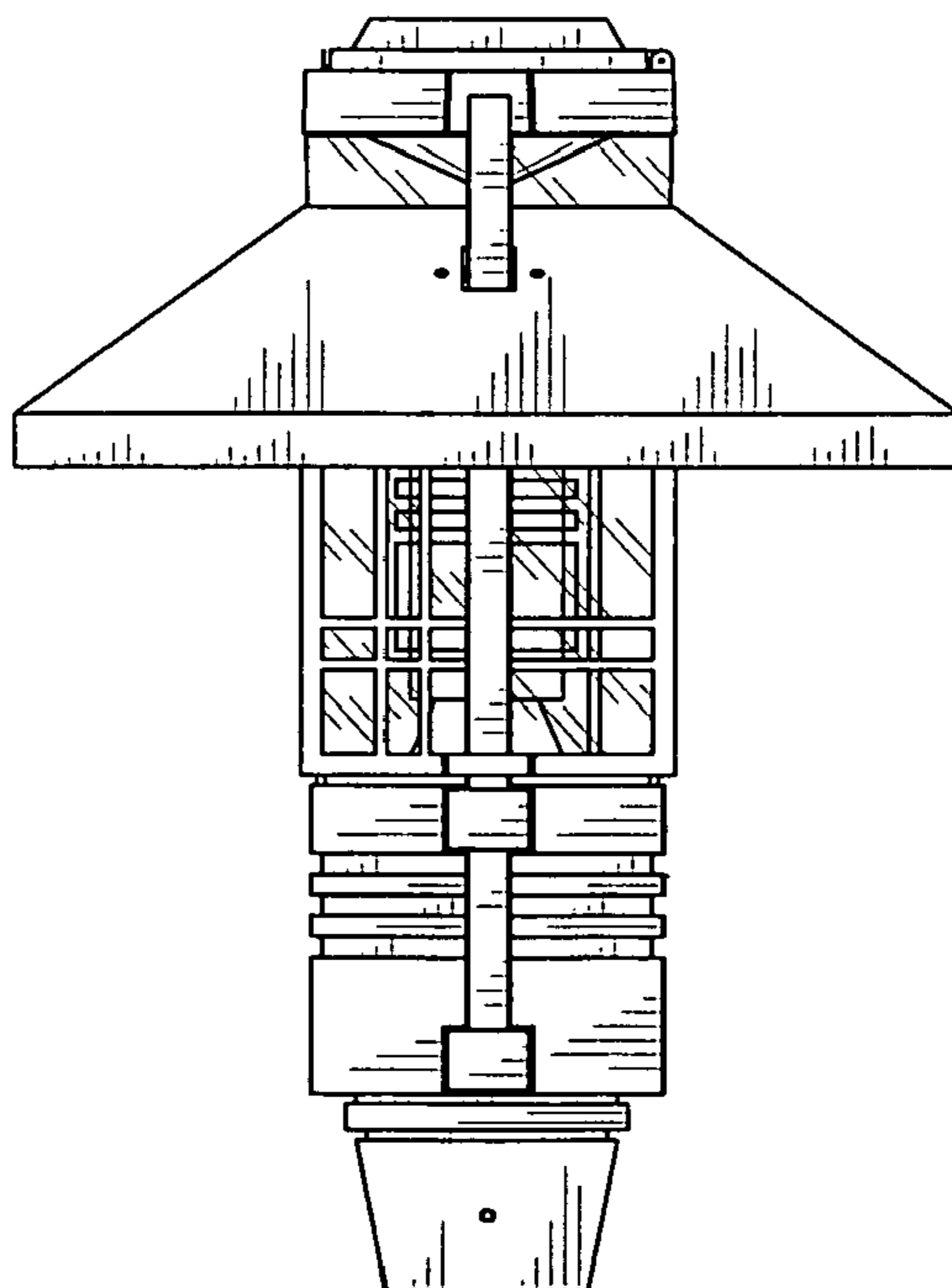


FIG. 10

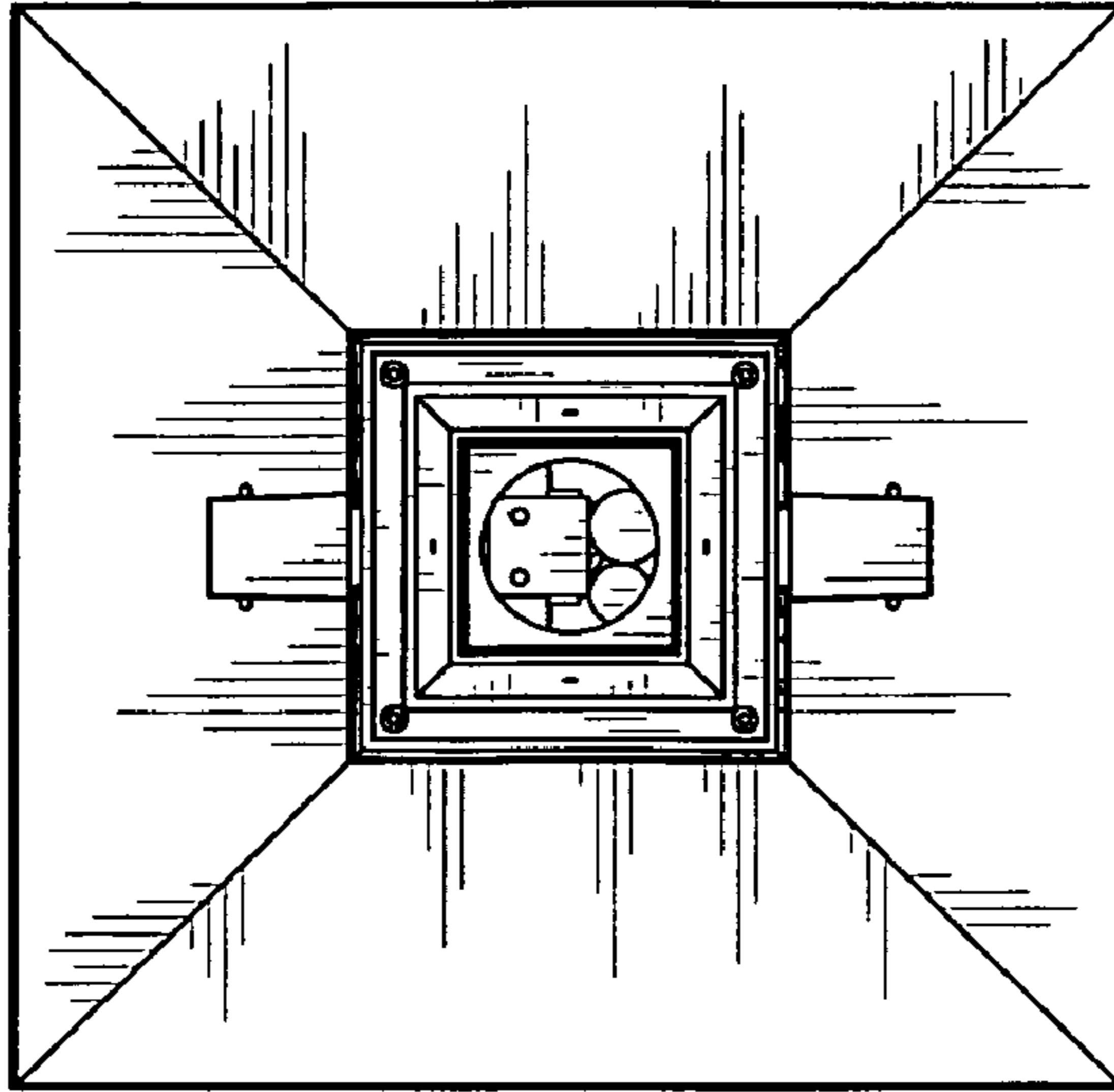


FIG. 11

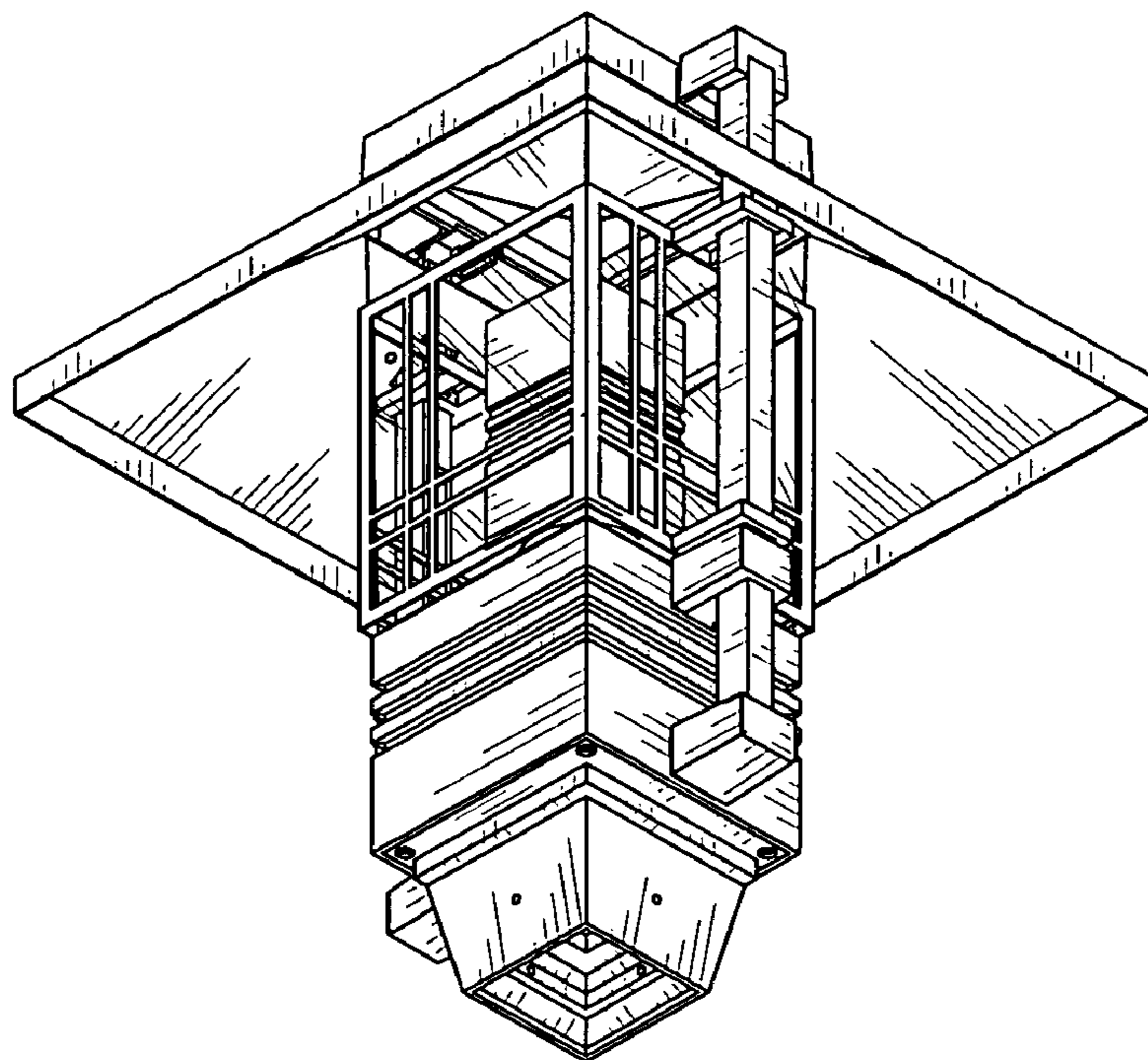


FIG. 12

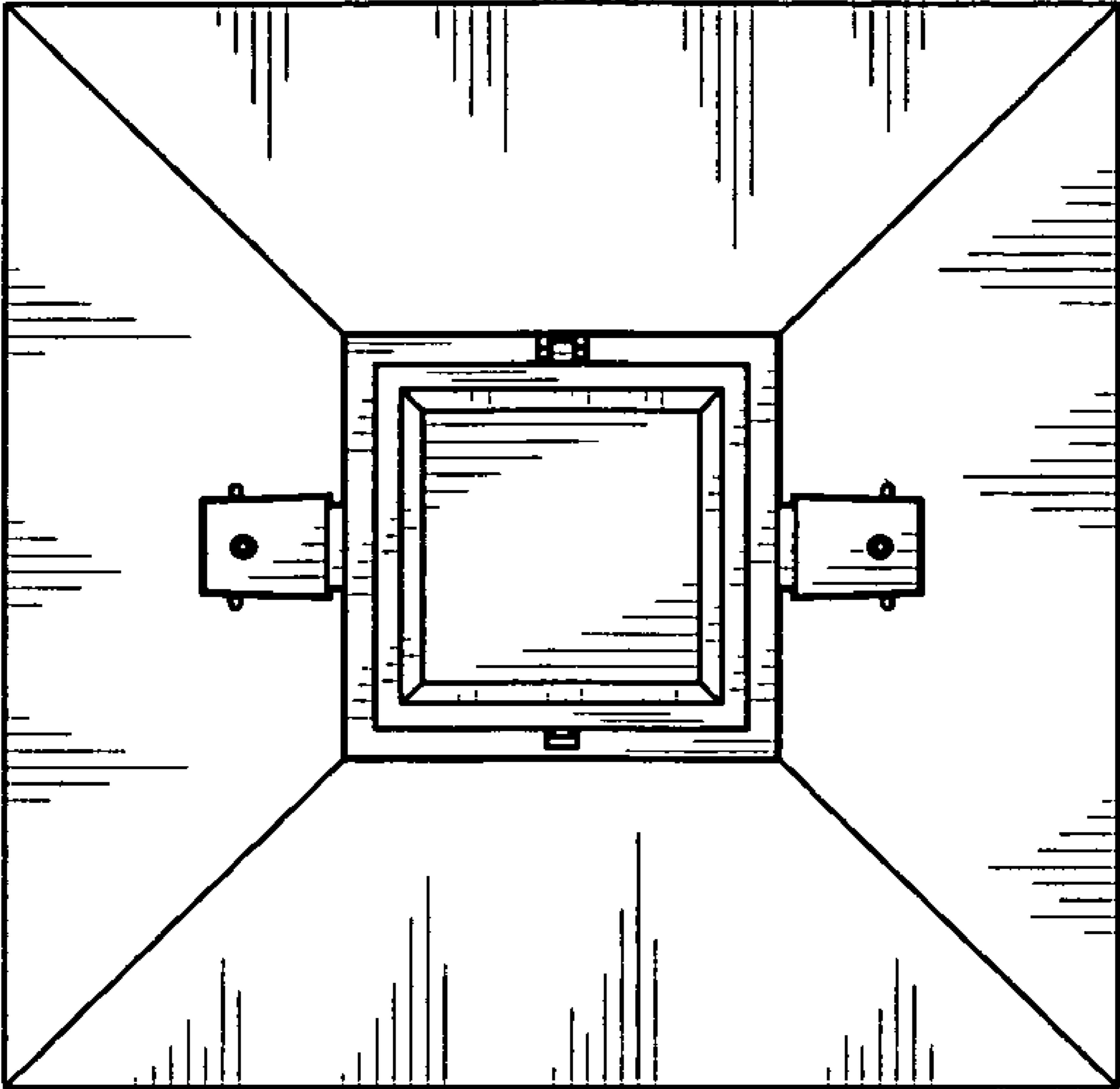


FIG. 13