



US00D647234S

(12) **United States Design Patent**
Izardel

(10) **Patent No.:** **US D647,234 S**

(45) **Date of Patent:** **** Oct. 18, 2011**

- (54) **SOLAR GARDEN FOCUS LAMP**
 - (75) Inventor: **Lazar Izardel**, Tel Aviv (IL)
 - (73) Assignee: **Gamasonic Ltd.**, Tel Aviv (IL)
 - (**) Term: **14 Years**
 - (21) Appl. No.: **29/382,990**
 - (22) Filed: **Jan. 11, 2011**
 - (51) **LOC (9) Cl.** **26-05**
 - (52) **U.S. Cl.** **D26/65; D26/68**
 - (58) **Field of Classification Search** D26/60-66,
D26/67-71; 362/153, 153.1, 185, 266, 359,
362/152, 431, 187-191, 282-285, 287, 289,
362/183, 267, 273, 371, 269, 270, 277, 278,
362/418, 427
- See application file for complete search history.

- D551,789 S * 9/2007 Mullen D26/63
- D555,277 S * 11/2007 Stekelenburg D26/68
- D574,532 S * 8/2008 Lee et al. D26/63
- D615,688 S * 5/2010 Chen D26/68
- D638,159 S * 5/2011 Yao D26/63

* cited by examiner

Primary Examiner — Susan M Lee

Assistant Examiner — Linda G. Brooks

(74) *Attorney, Agent, or Firm* — Dekel Patent Ltd.; David Klein

(57) **CLAIM**

The ornamental design for a solar garden focus lamp, as shown and described.

DESCRIPTION

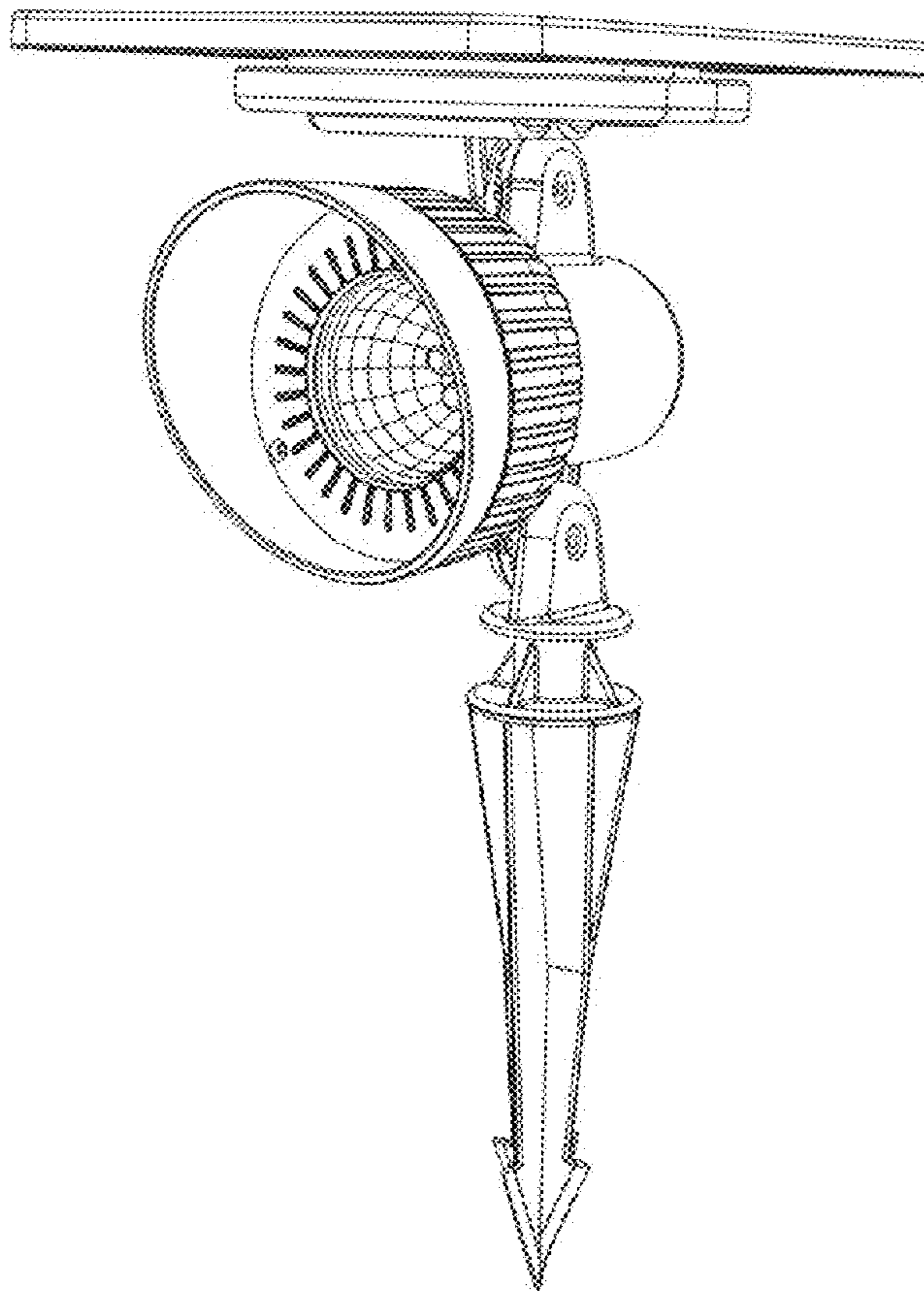
FIG. 1 is a front perspective view of a solar garden focus lamp, showing my new design;
 FIG. 2 is a rear perspective view thereof;
 FIG. 3 is a front view thereof;
 FIG. 4 is a left side view thereof;
 FIG. 5 is a right side view thereof;
 FIG. 6 is a rear view thereof; and,
 FIG. 7 is a bottom view thereof.

1 Claim, 7 Drawing Sheets

(56) **References Cited**

U.S. PATENT DOCUMENTS

- D439,999 S * 4/2001 Stekelenburg D26/65
- D531,748 S * 11/2006 Sanoner D26/68
- D533,298 S * 12/2006 Kuelbs et al. D26/67
- D542,959 S * 5/2007 Yao et al. D26/68
- D550,877 S * 9/2007 Mullen D26/63



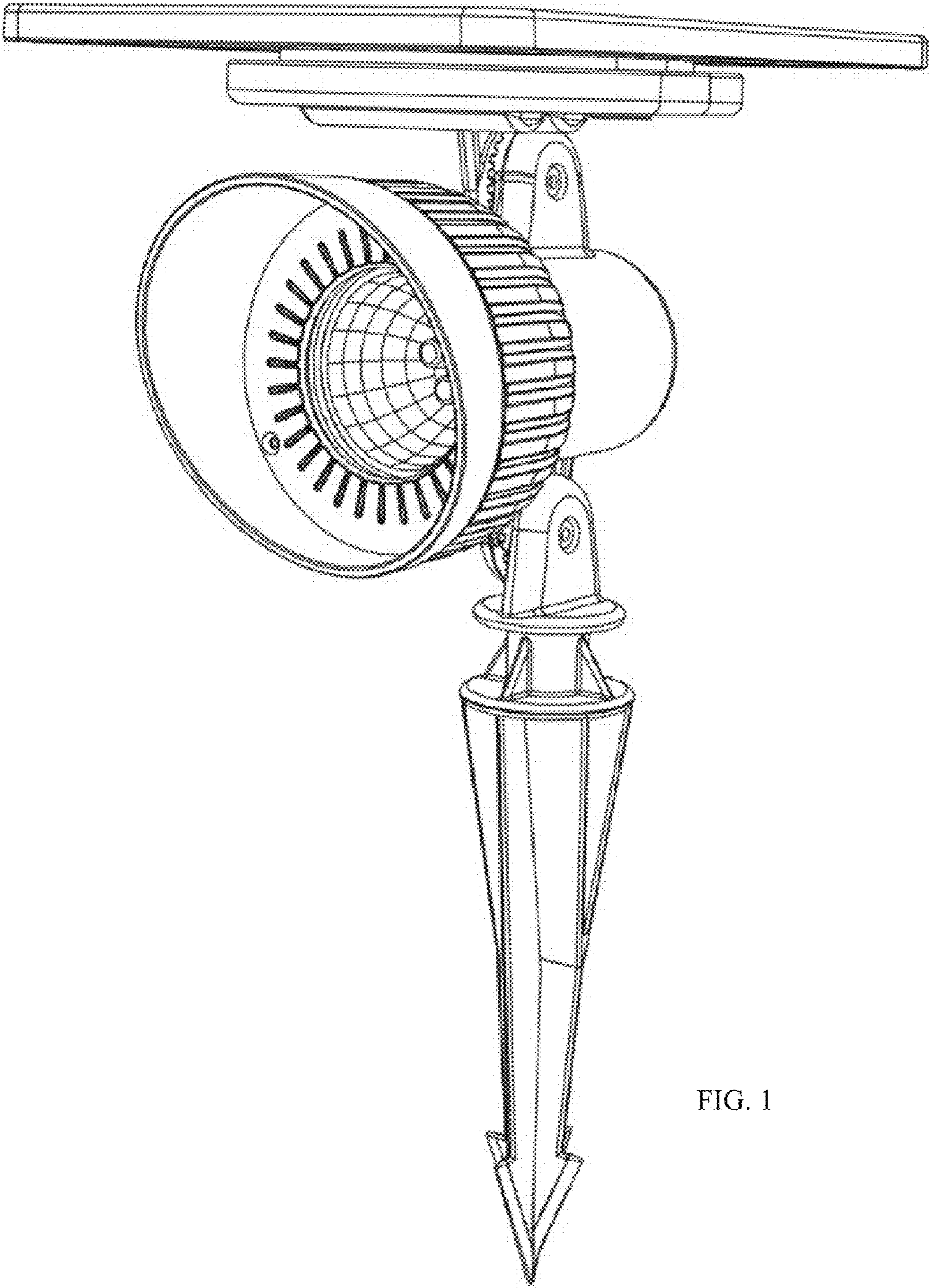


FIG. 1

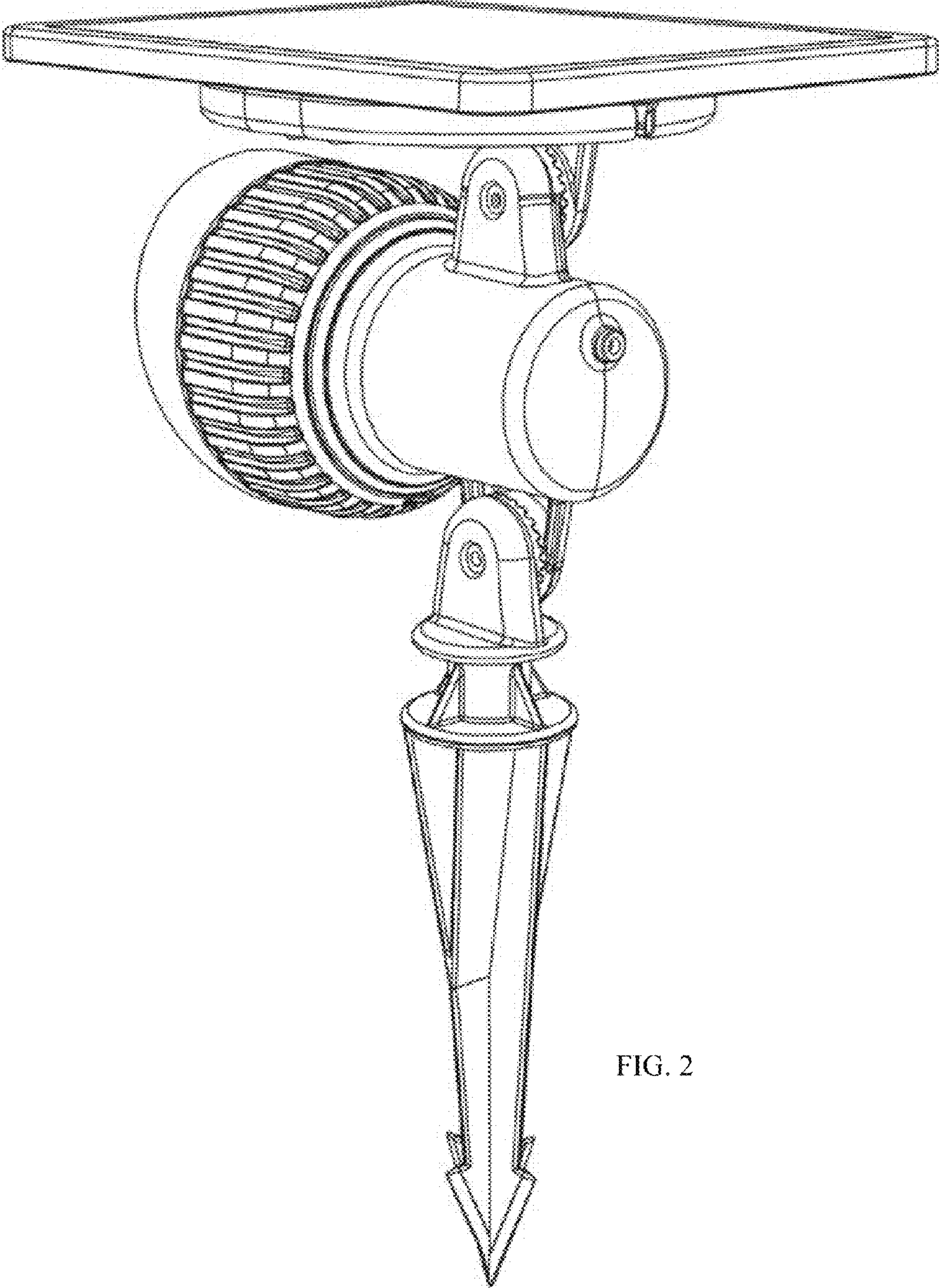


FIG. 2

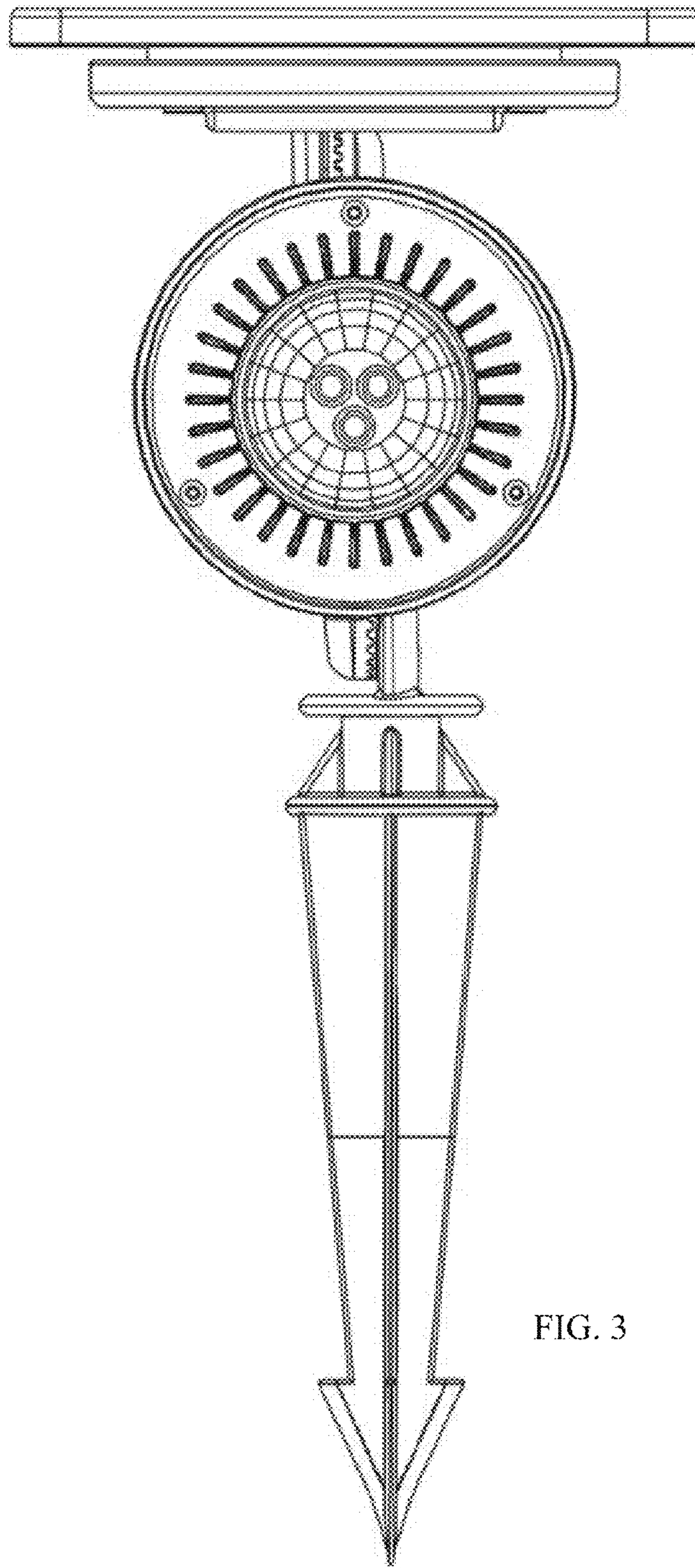


FIG. 3

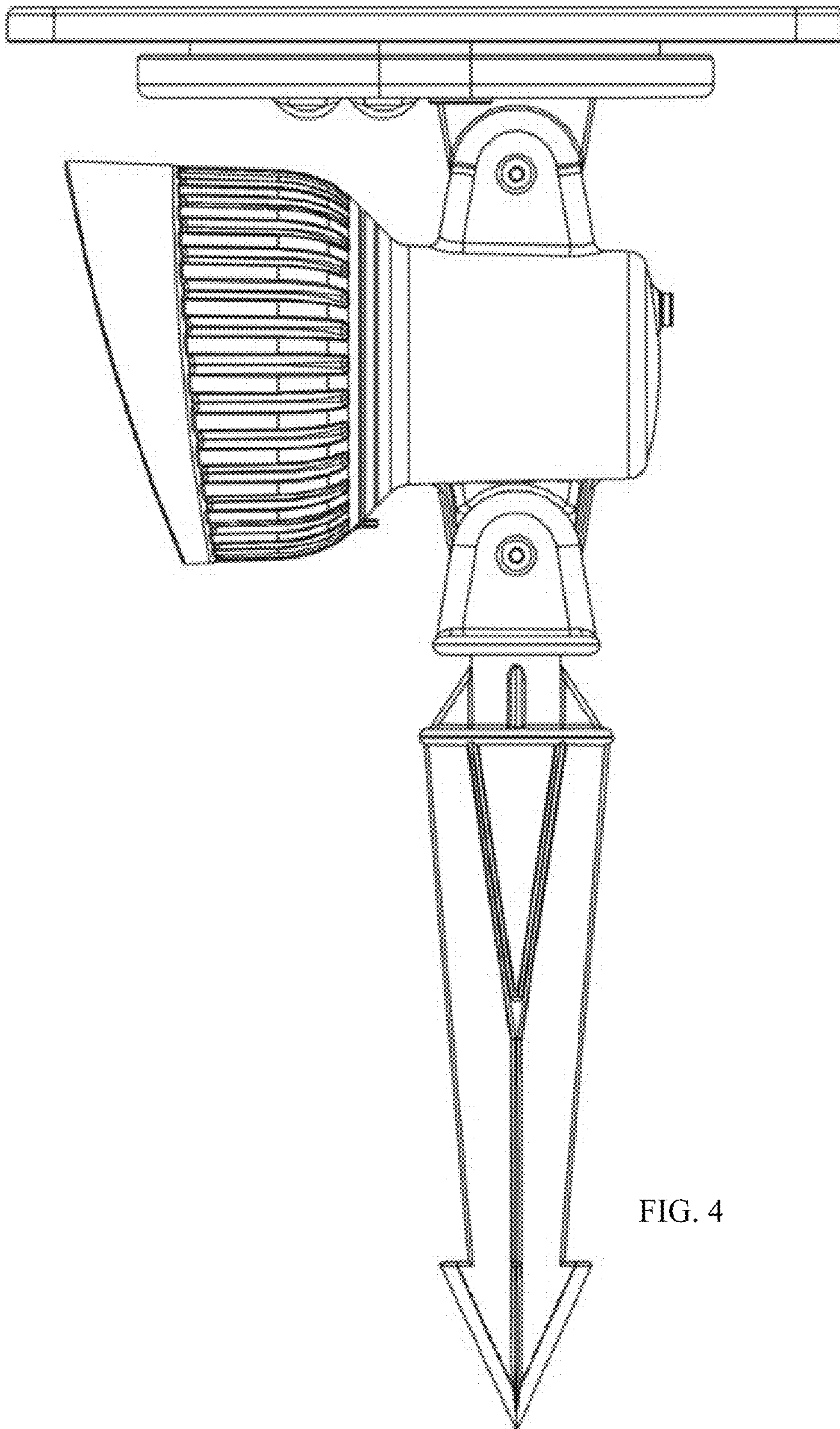


FIG. 4

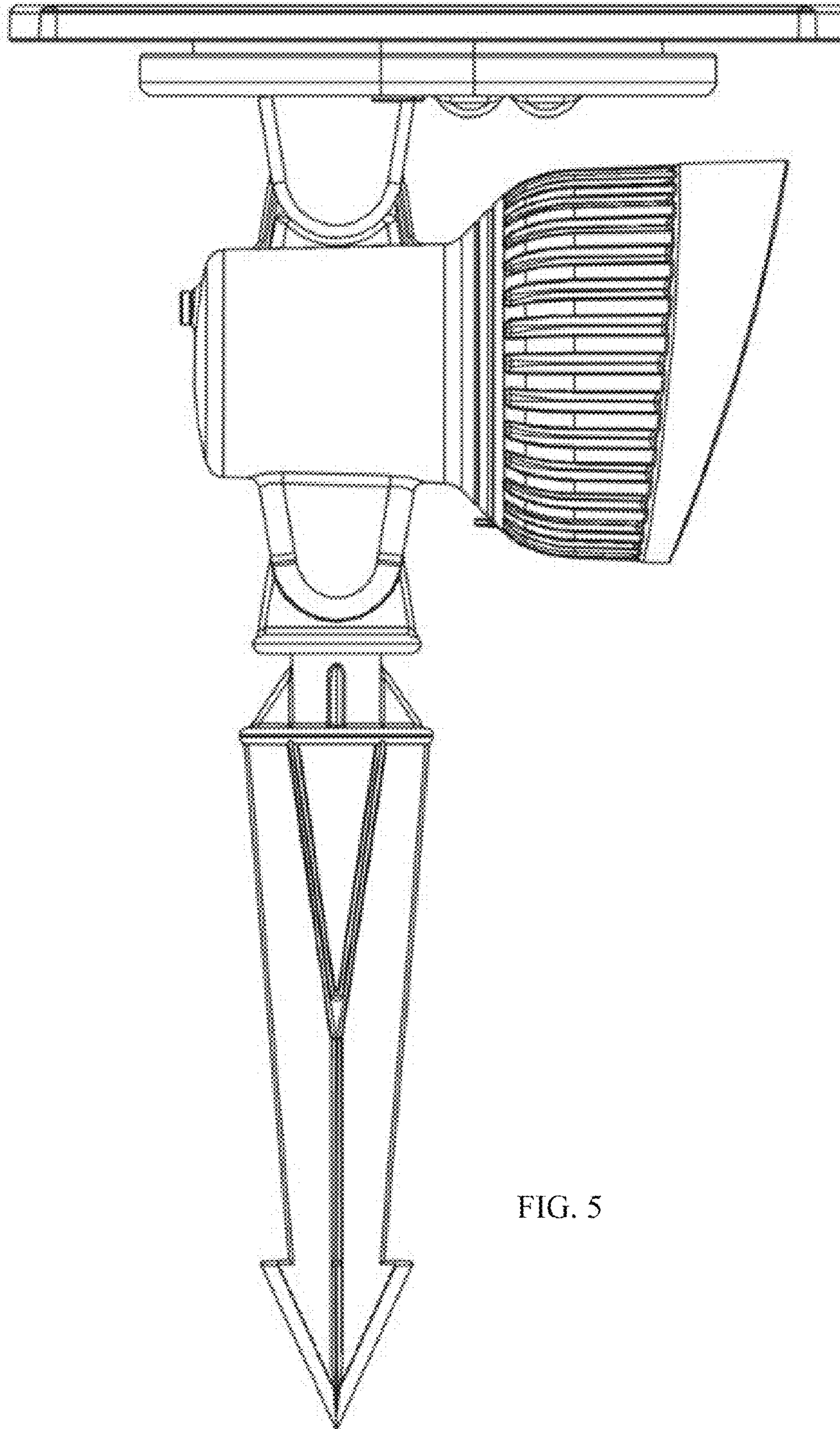


FIG. 5

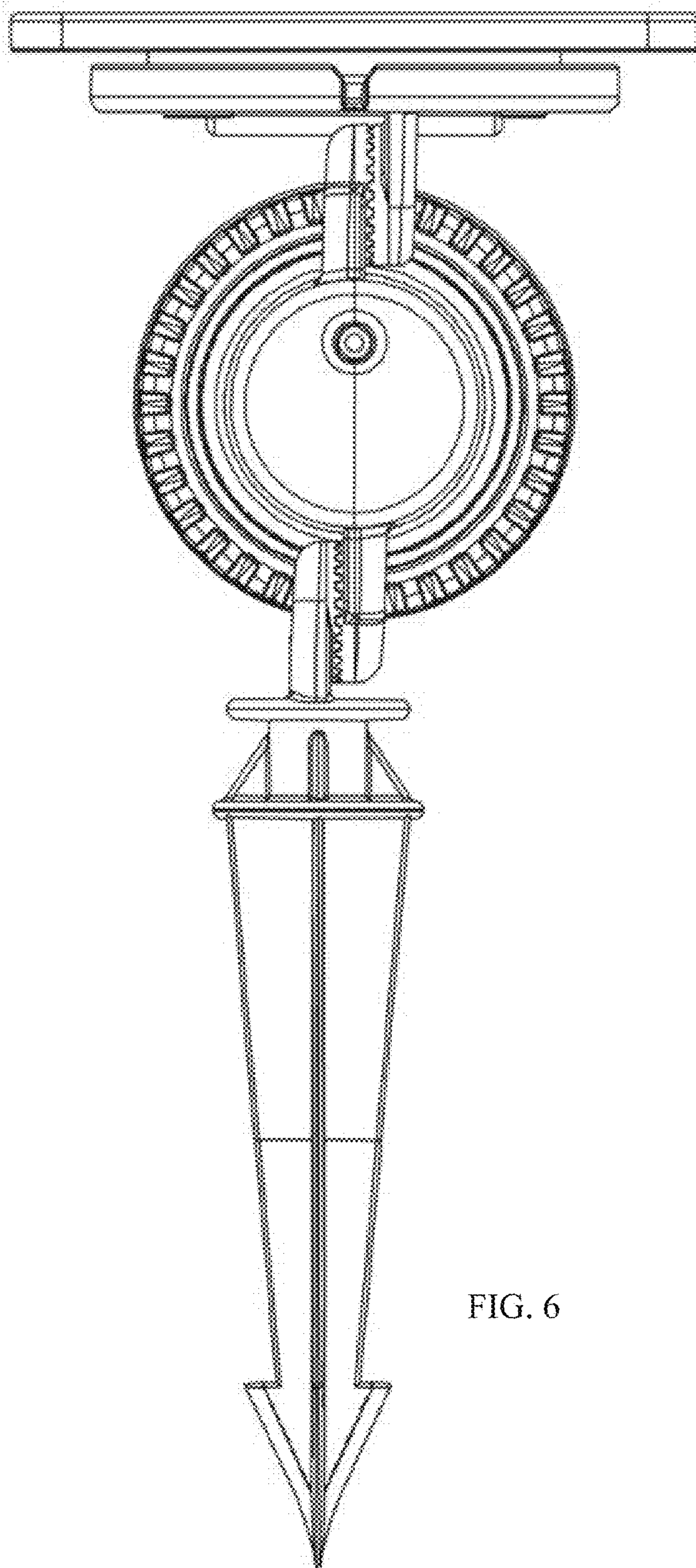


FIG. 6

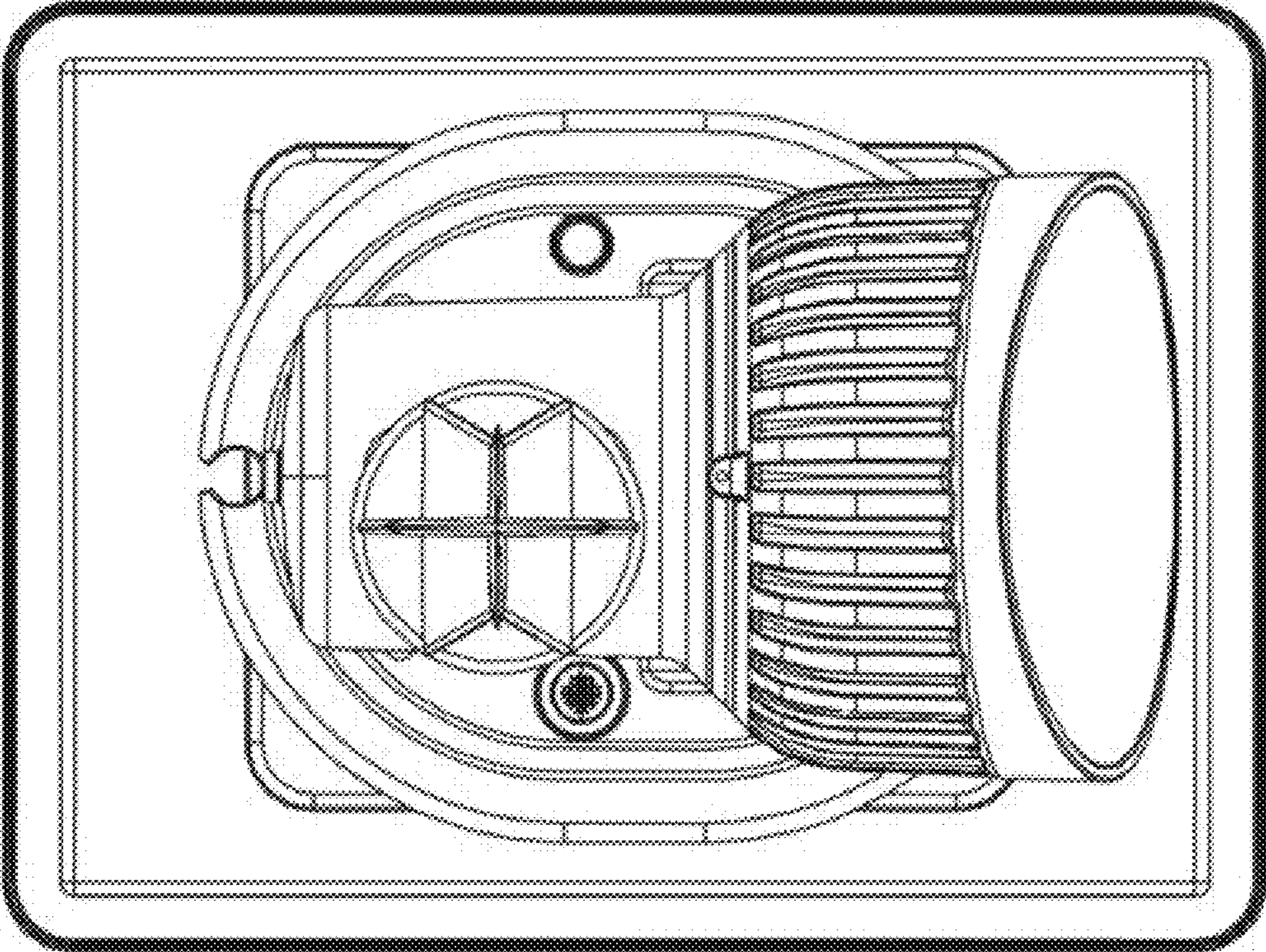


FIG. 7