



US00D647232S

(12) **United States Design Patent**
Liu

(10) **Patent No.:** **US D647,232 S**

(45) **Date of Patent:** **** Oct. 18, 2011**

(54) **FLASHLIGHT**

(75) **Inventor:** **Yun-Zhao Liu**, Guangdong Province (CN)

(73) **Assignee:** **Guangdong Jetfast Portable Lighting Co., Ltd.**, Guangdong (CN)

(**) **Term:** **14 Years**

(21) **Appl. No.:** **29/380,358**

(22) **Filed:** **Dec. 3, 2010**

(51) **LOC (9) Cl.** **24-02**

(52) **U.S. Cl.** **D26/49**

(58) **Field of Classification Search** D26/37,
D26/46, 48, 49, 50; 362/157, 158, 183, 184,
362/190, 194, 195, 196, 202-208

See application file for complete search history.

(56) **References Cited**

U.S. PATENT DOCUMENTS

D565,770 S *	4/2008	Shiu	D26/49
D568,515 S *	5/2008	Liu	D26/49
D572,395 S *	7/2008	Guelzow et al.	D26/49
D574,528 S *	8/2008	Witte	D26/49
D585,577 S *	1/2009	Bonis	D26/49
D586,025 S *	2/2009	Bonis	D26/49
D596,772 S *	7/2009	Chang	D26/49
D601,736 S *	10/2009	Swan	D26/49

D629,544 S *	12/2010	Deguglimo et al.	D26/49
D629,545 S *	12/2010	Deguglimo et al.	D26/49
D629,546 S *	12/2010	Deguglimo et al.	D26/49
D636,512 S *	4/2011	Heath et al.	D26/49
D640,400 S *	6/2011	Huang	D26/49

* cited by examiner

Primary Examiner — Ian Simmons

Assistant Examiner — Carissa C Fitts

(74) *Attorney, Agent, or Firm* — Rosenberg, Klein & Lee

(57) **CLAIM**

The ornamental design for a flashlight, as shown and described.

DESCRIPTION

FIG. 1 is a perspective view of a flashlight showing my new design;

FIG. 2 is a front elevational view thereof;

FIG. 3 is a rear elevational view thereof;

FIG. 4 is a left side elevational view thereof;

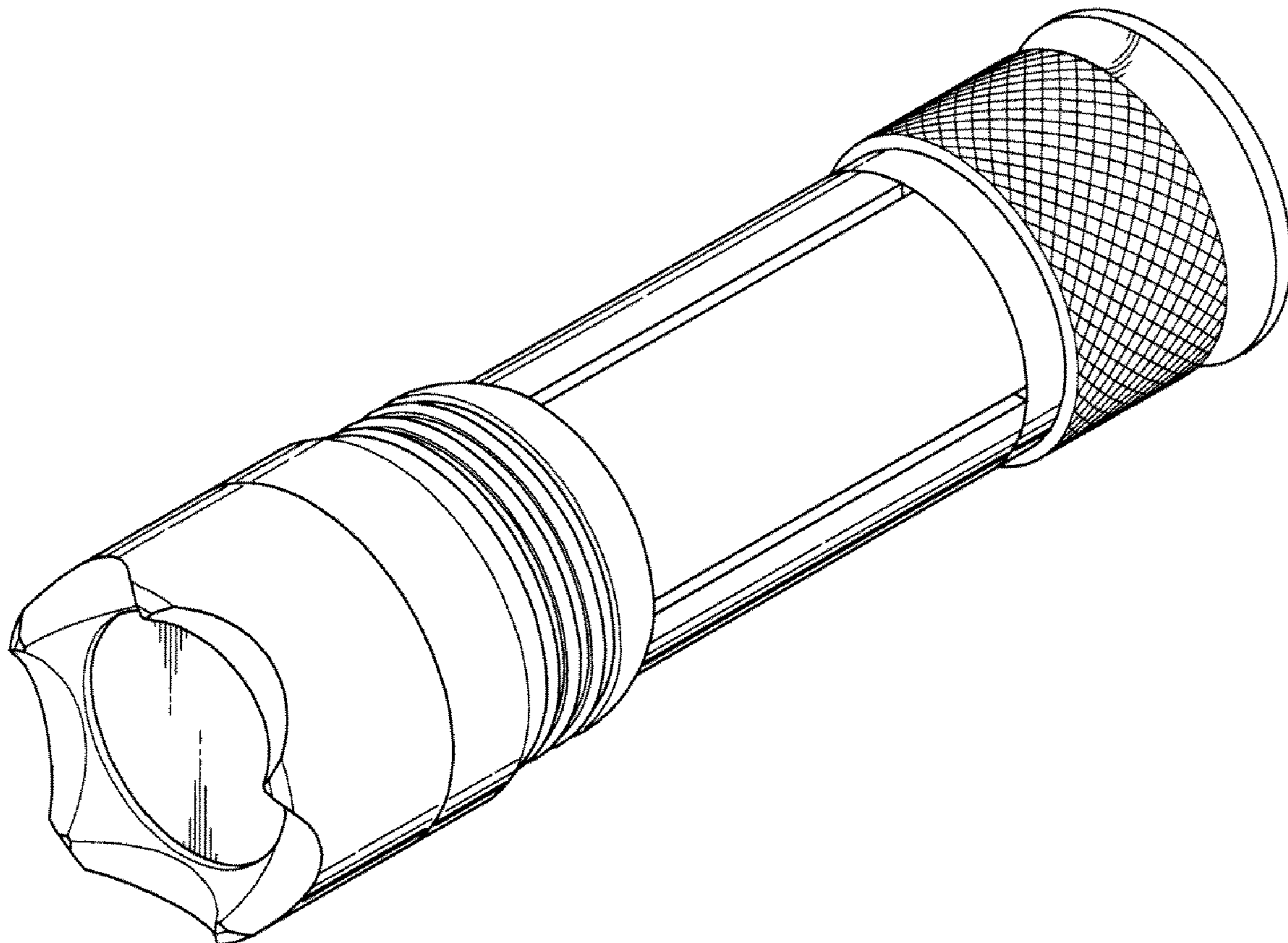
FIG. 5 is a right side elevational view thereof;

FIG. 6 is a top plan view thereof;

FIG. 7 is a bottom plan view thereof; and,

FIG. 8 is a second perspective view of a flashlight showing our new design.

1 Claim, 8 Drawing Sheets



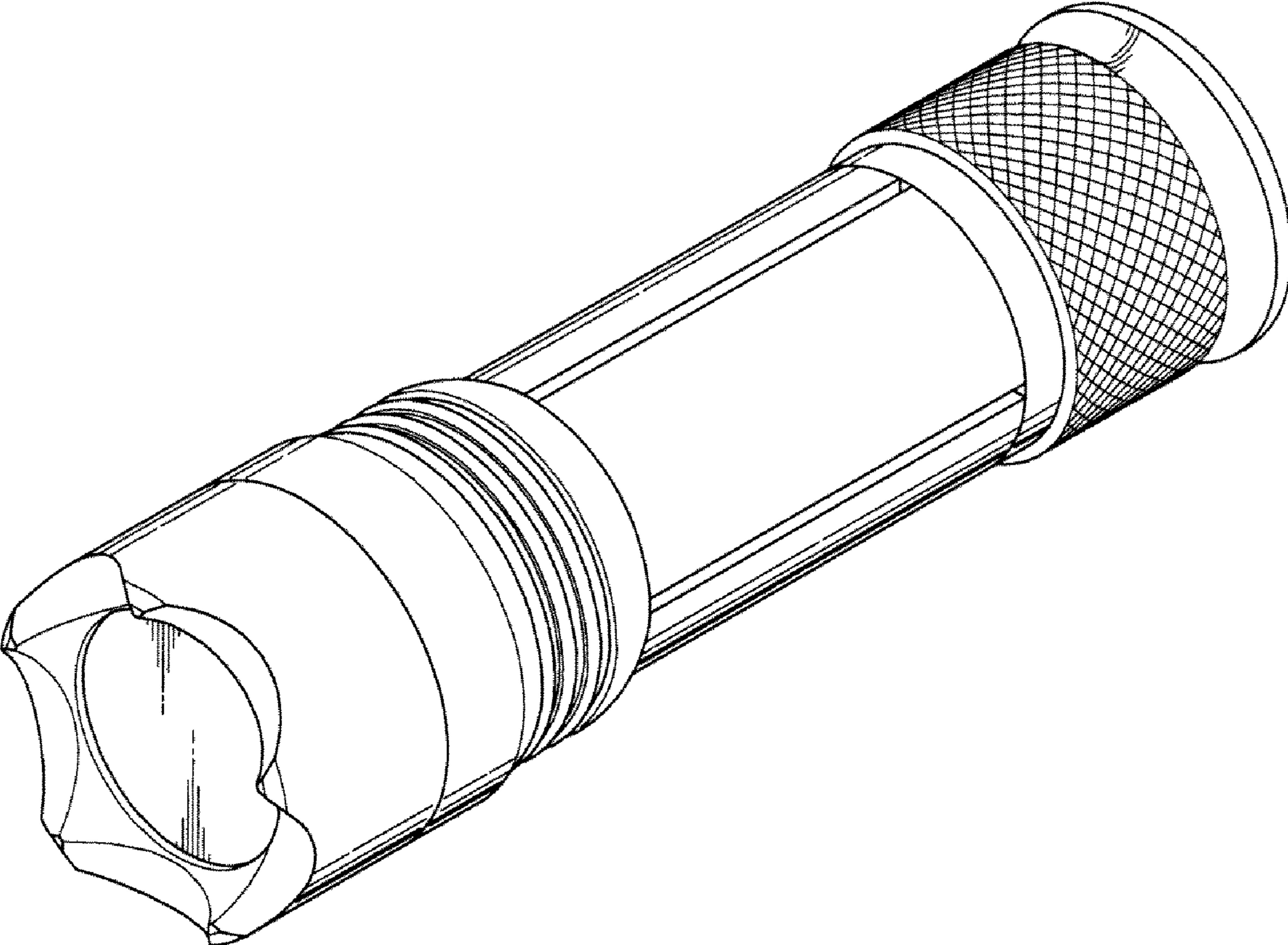


FIG. 1

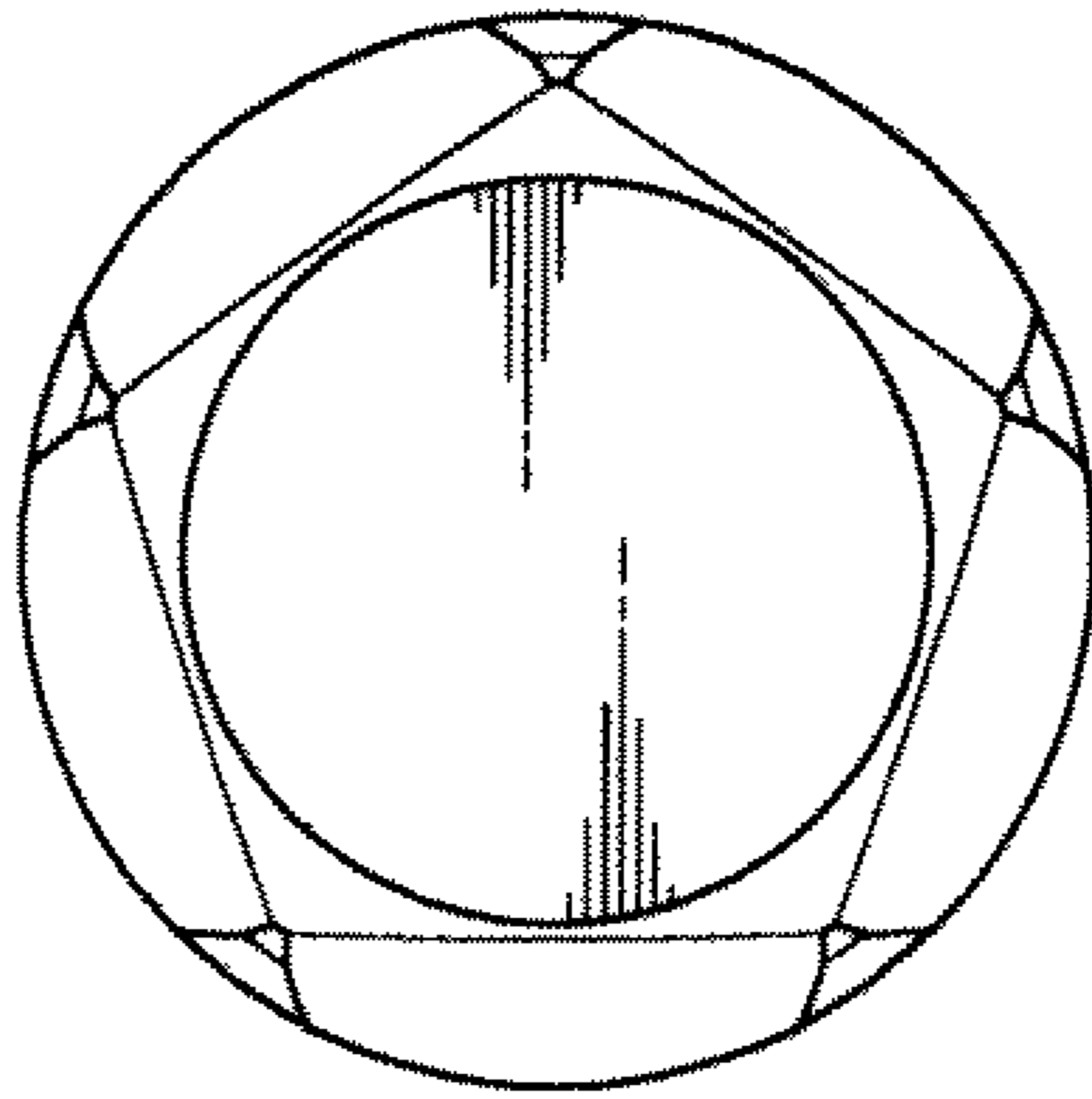


FIG. 2

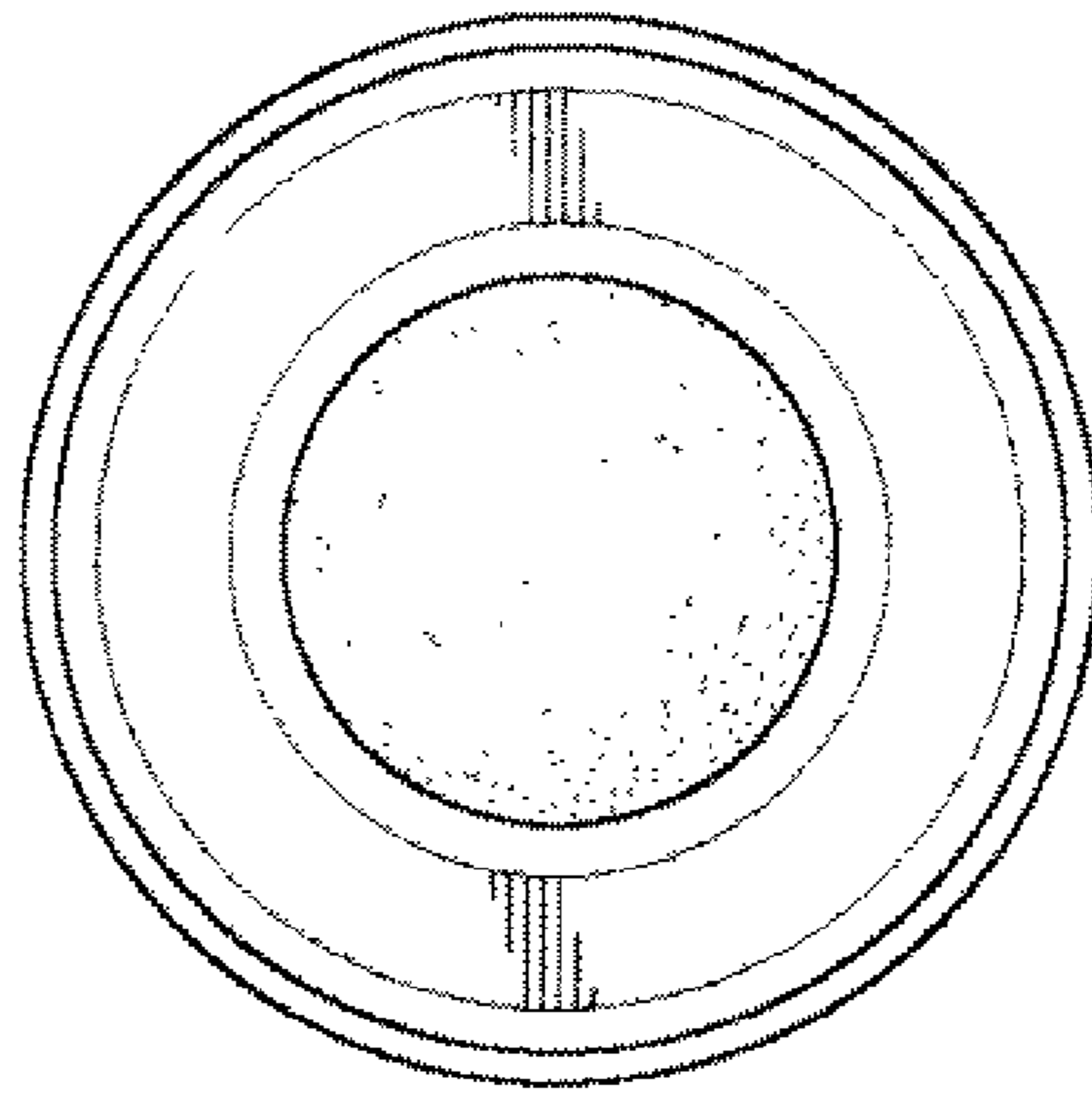


FIG. 3

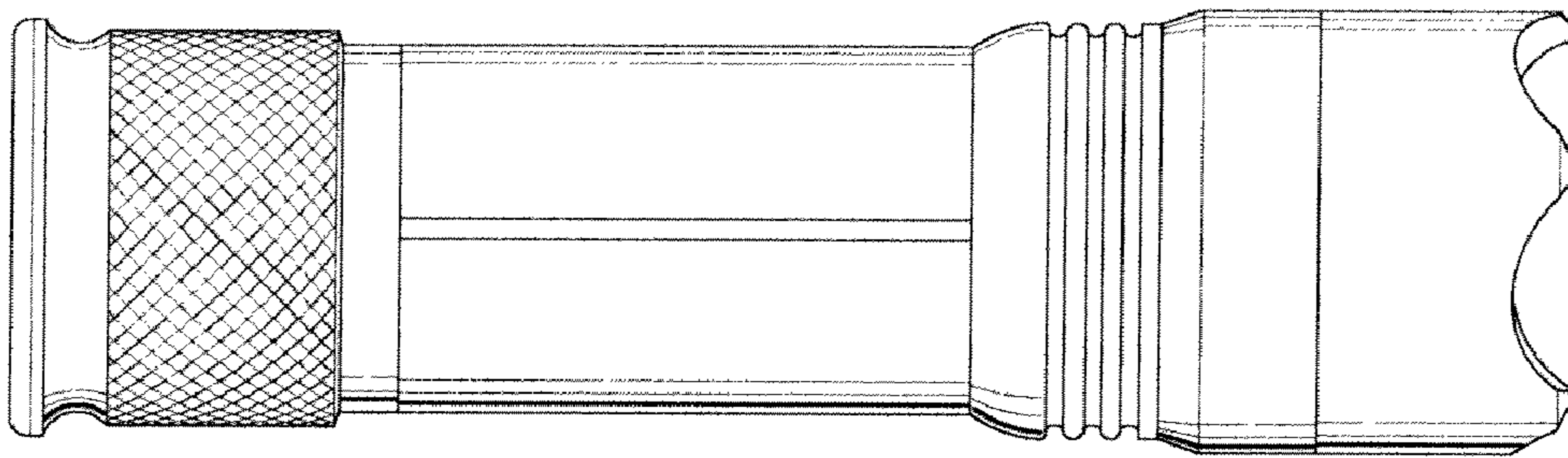


FIG. 4

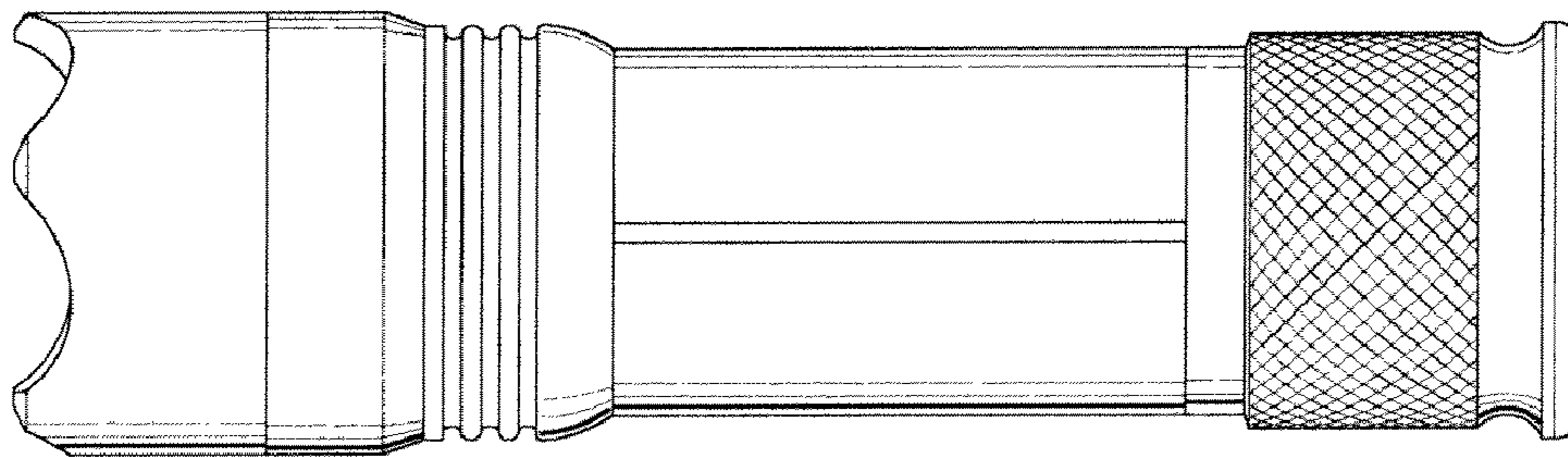


FIG. 5

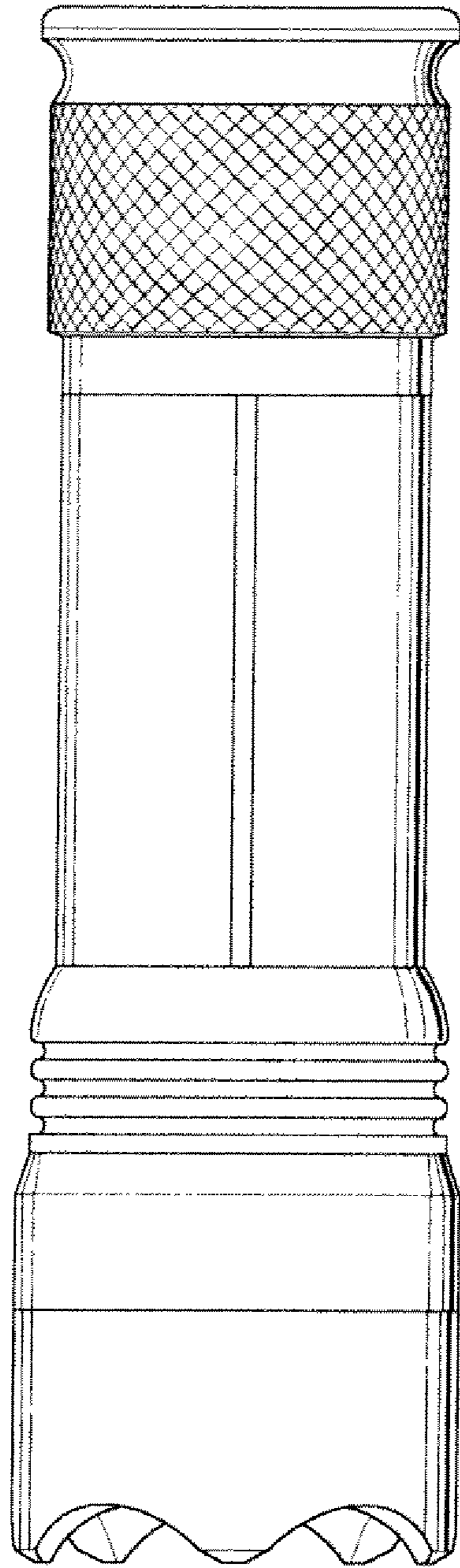


FIG. 6

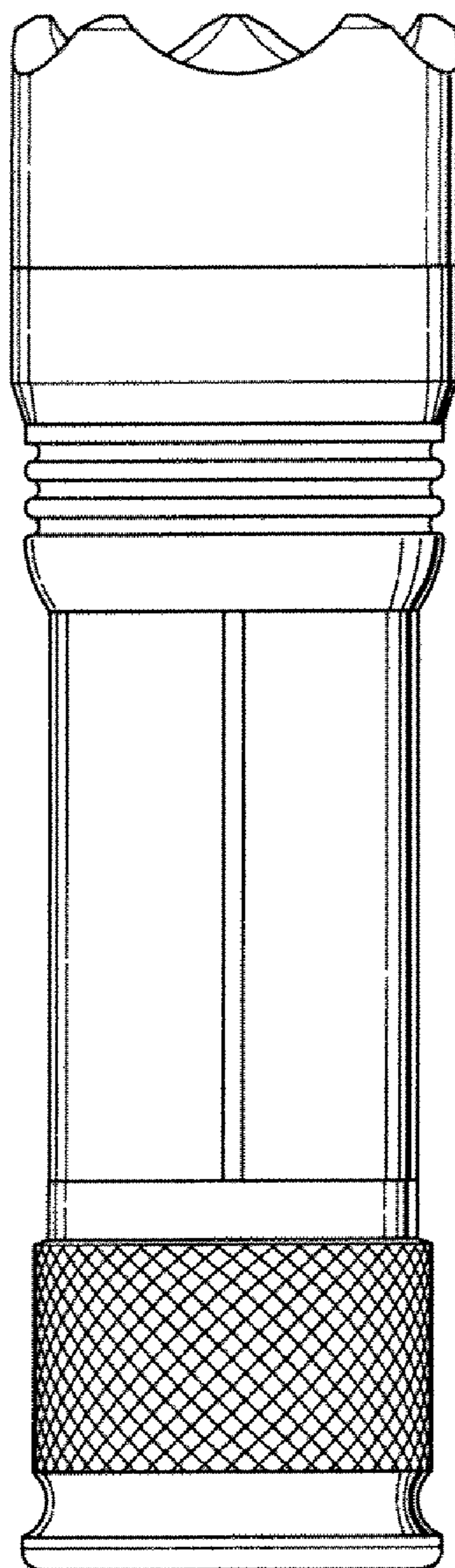


FIG. 7

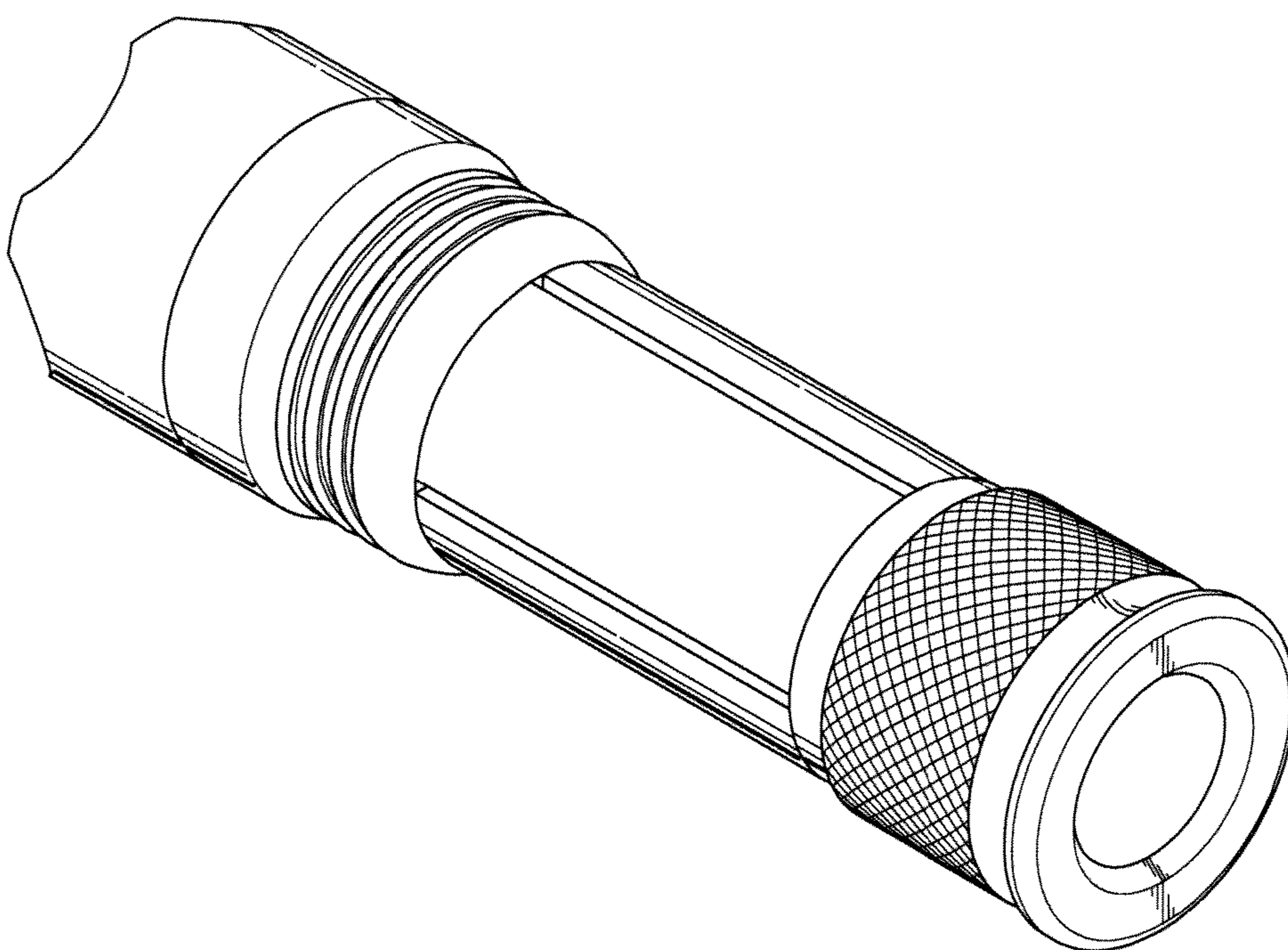


FIG. 8