



US00D647231S

(12) **United States Design Patent**  
**Bertken**

(10) **Patent No.:** **US D647,231 S**

(45) **Date of Patent:** **\*\* Oct. 18, 2011**

(54) **RECHARGEABLE FLASHLIGHT**

(75) Inventor: **Dennis Bertken**, Solana Beach, CA  
(US)

(73) Assignee: **Life+Gear, Inc.**, Del Mar, CA (US)

(\*\*) Term: **14 Years**

(21) Appl. No.: **29/378,312**

(22) Filed: **Nov. 2, 2010**

(51) **LOC (9) Cl.** ..... **26-02**

(52) **U.S. Cl.** ..... **D26/49; D26/38**

(58) **Field of Classification Search** ..... D26/37.38,  
D26/40, 41, 46, 49; 362/157, 158, 184, 183,  
362/192, 193, 194–208

See application file for complete search history.

(56) **References Cited**

**U.S. PATENT DOCUMENTS**

D149,672 S *	5/1948	Phillips	.....	D26/49
D229,854 S *	1/1974	Bajusz	.....	D26/49
D244,796 S *	6/1977	Staub	.....	D26/49
D252,170 S *	6/1979	Simmons	.....	D26/49
D282,583 S *	2/1986	Hung	.....	D26/40
D389,364 S *	1/1998	Vallarella et al.	.....	D7/300.2
D535,418 S *	1/2007	Martin	.....	D26/37
D544,622 S *	6/2007	Cheng	.....	D26/46
D560,006 S *	1/2008	Garner et al.	.....	D26/37
D574,741 S *	8/2008	Gadsden	.....	D10/114.9
D598,150 S *	8/2009	Bertken	.....	D26/38
D612,968 S *	3/2010	Ma	.....	D26/49
D622,438 S *	8/2010	Sasada et al.	.....	D26/113
D625,860 S *	10/2010	Bertken	.....	D26/37

D625,861 S *	10/2010	Bertken	.....	D26/37
D626,671 S *	11/2010	Bertken	.....	D26/37
2010/0157582 A1 *	6/2010	Bertken	.....	362/158

\* cited by examiner

*Primary Examiner* — Ian Simmons

*Assistant Examiner* — Carissa C Fitts

(74) *Attorney, Agent, or Firm* — Marger Johnson & McCollom, P.C.

(57) **CLAIM**

The ornamental design for a rechargeable flashlight, as shown and described.

**DESCRIPTION**

FIG. 1 is a perspective view of the rechargeable flashlight according to the present design;

FIG. 2 is a top plan view of the design of FIG. 1;

FIG. 3 is a left side elevation view of the design of FIG. 1;

FIG. 4 is a bottom plan view of the design of FIG. 1;

FIG. 5 is a right side elevation view of the design of FIG. 1;

FIG. 6 is a rear elevation view of the design of FIG. 1;

FIG. 7 is a front elevation view of the design of FIG. 1;

FIG. 8 is a perspective view of the design of FIG. 1, with the cap portion removed;

FIG. 9 is a top plan view of the design of FIG. 8;

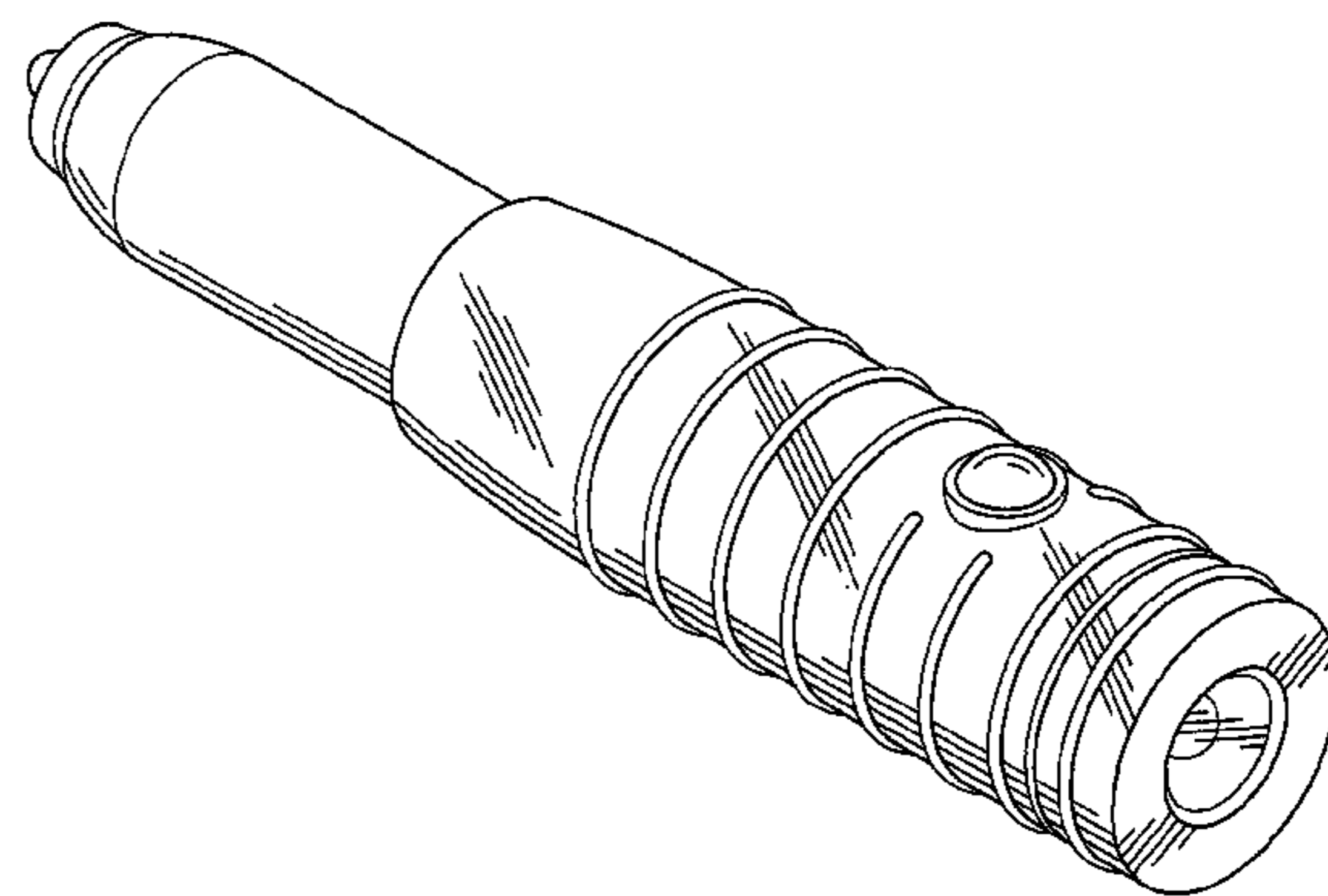
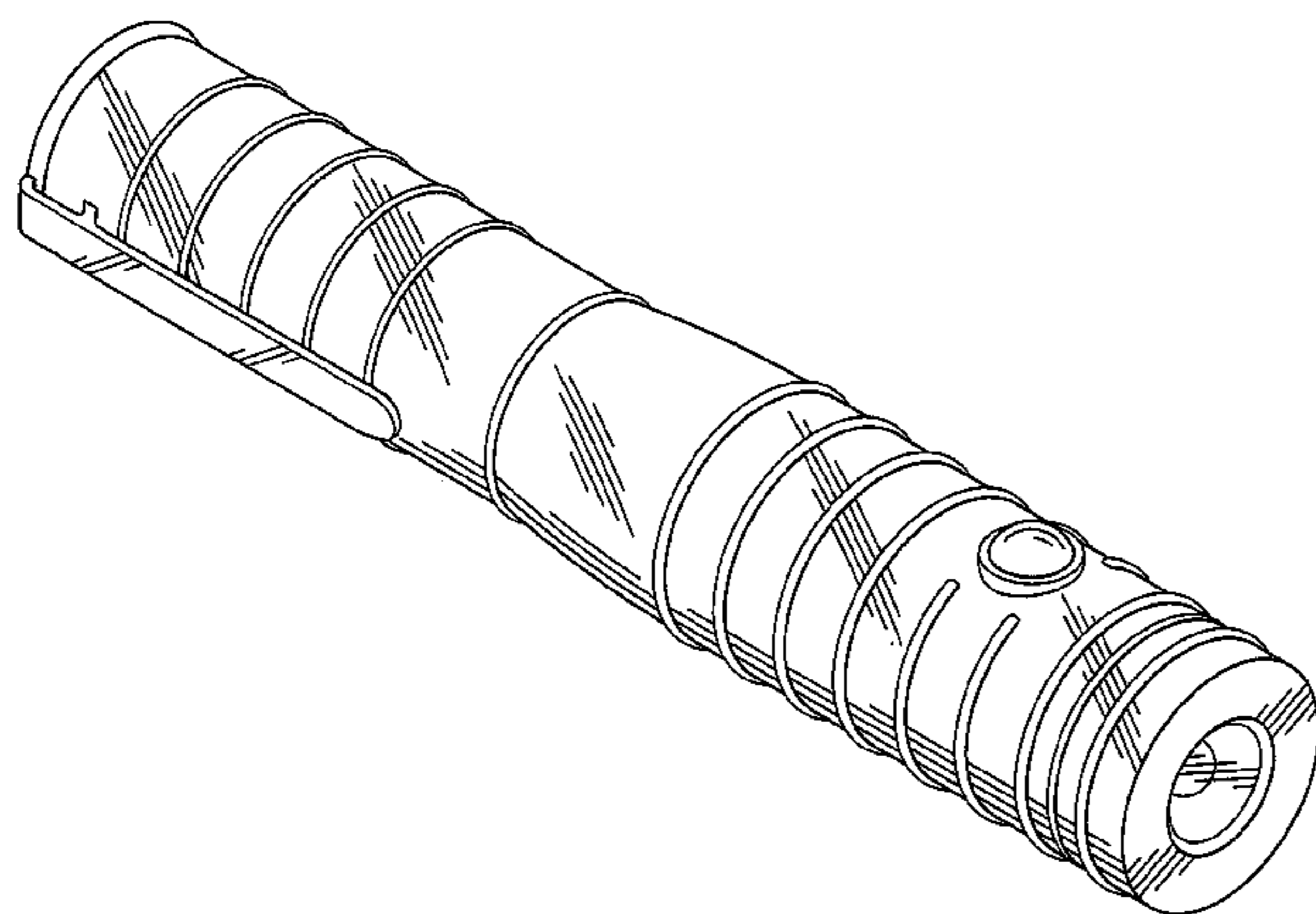
FIG. 10 is a left side elevation view of the design of FIG. 8, the right side being a mirror image thereof;

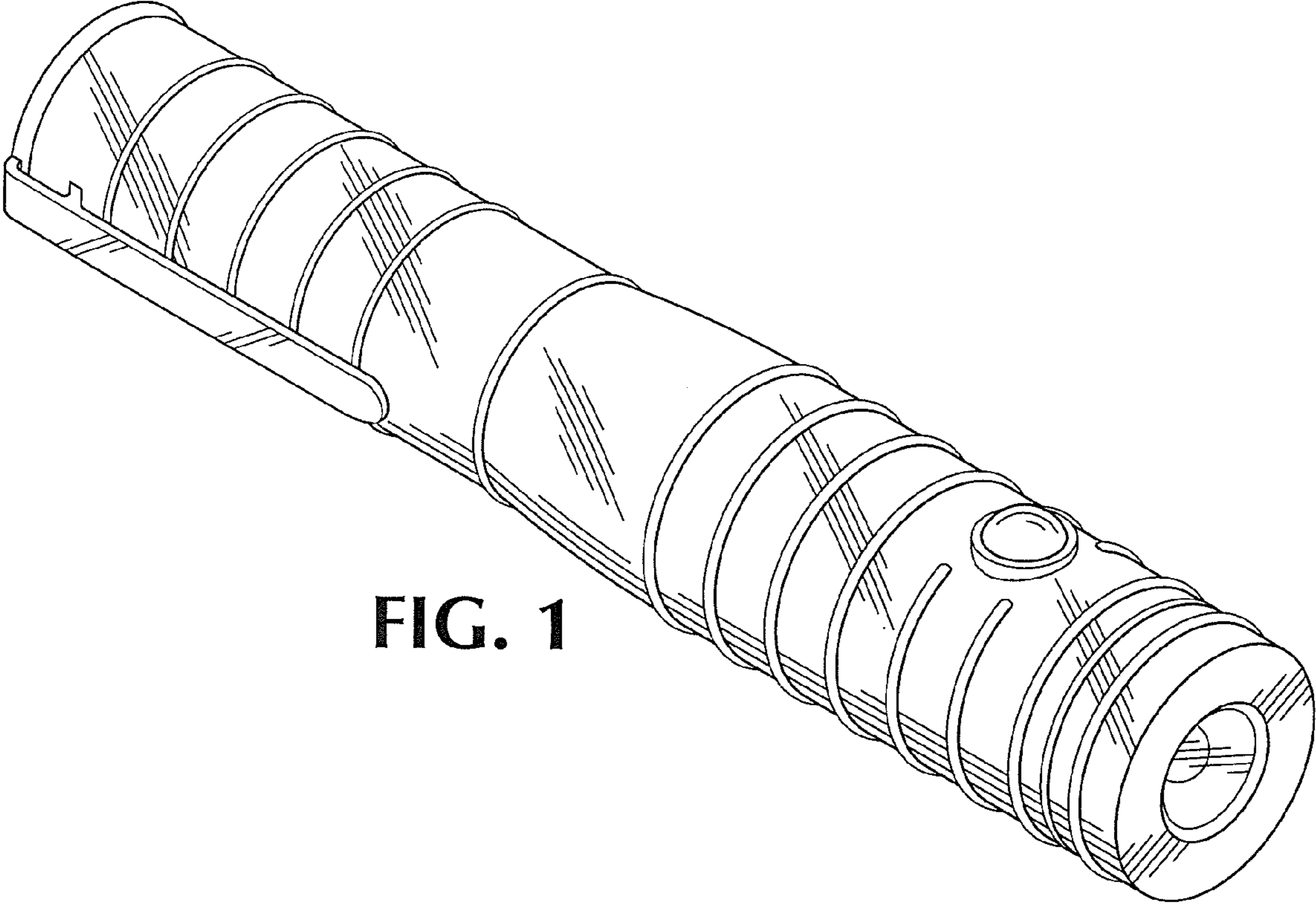
FIG. 11 is a bottom plan view of the design of FIG. 8;

FIG. 12 is a front elevation view of the design of FIG. 8; and,

FIG. 13 is a rear elevation view of the design of FIG. 8.

**1 Claim, 5 Drawing Sheets**





**FIG. 1**

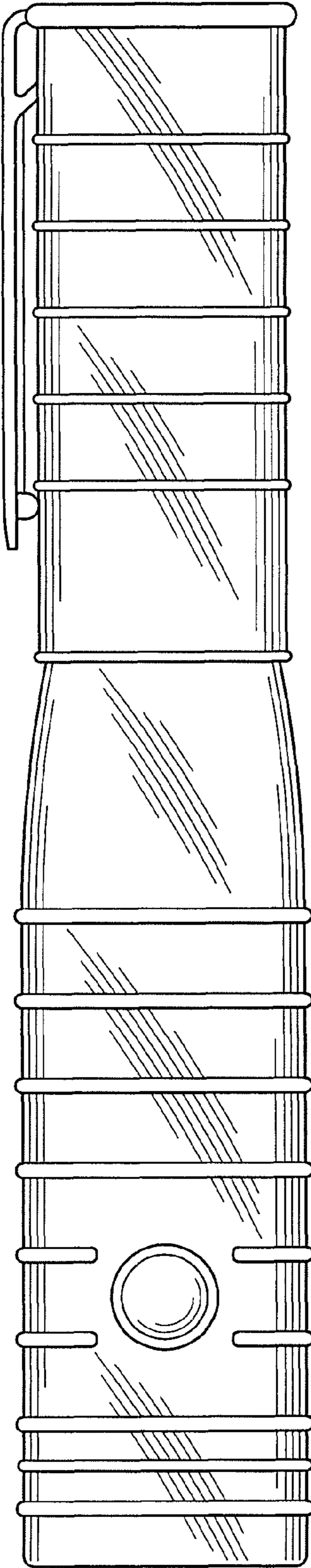


FIG. 2

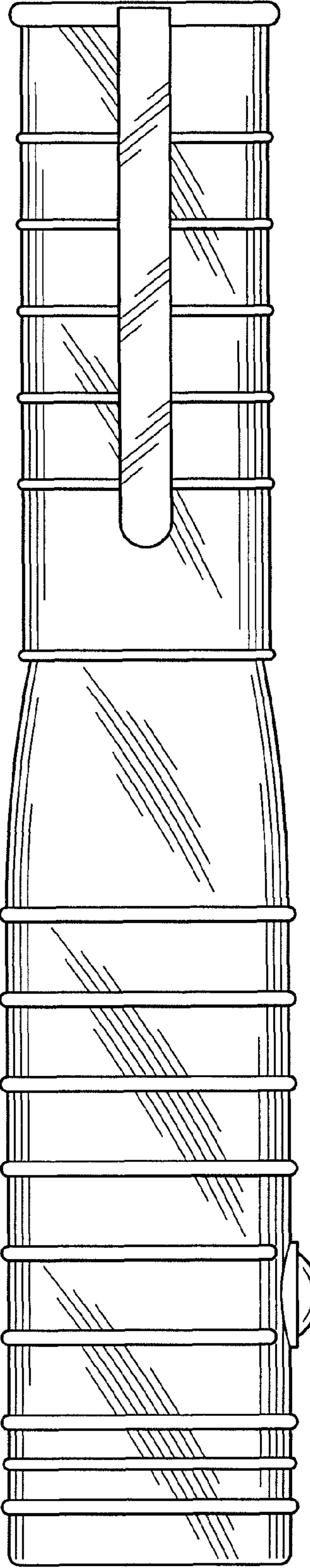
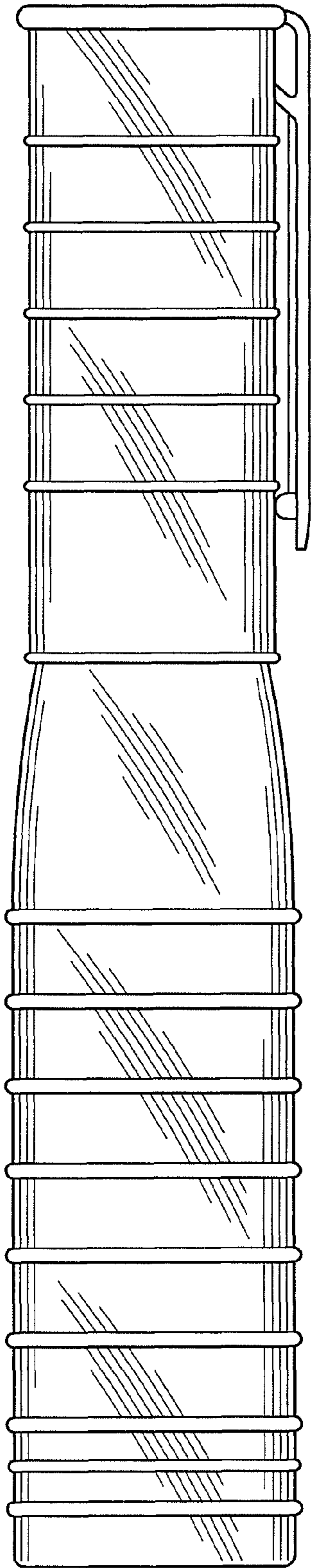
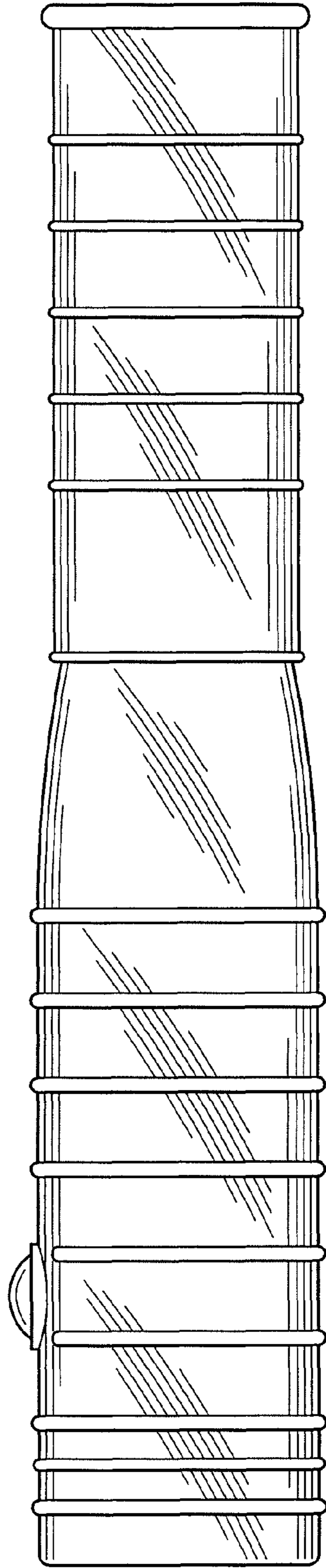


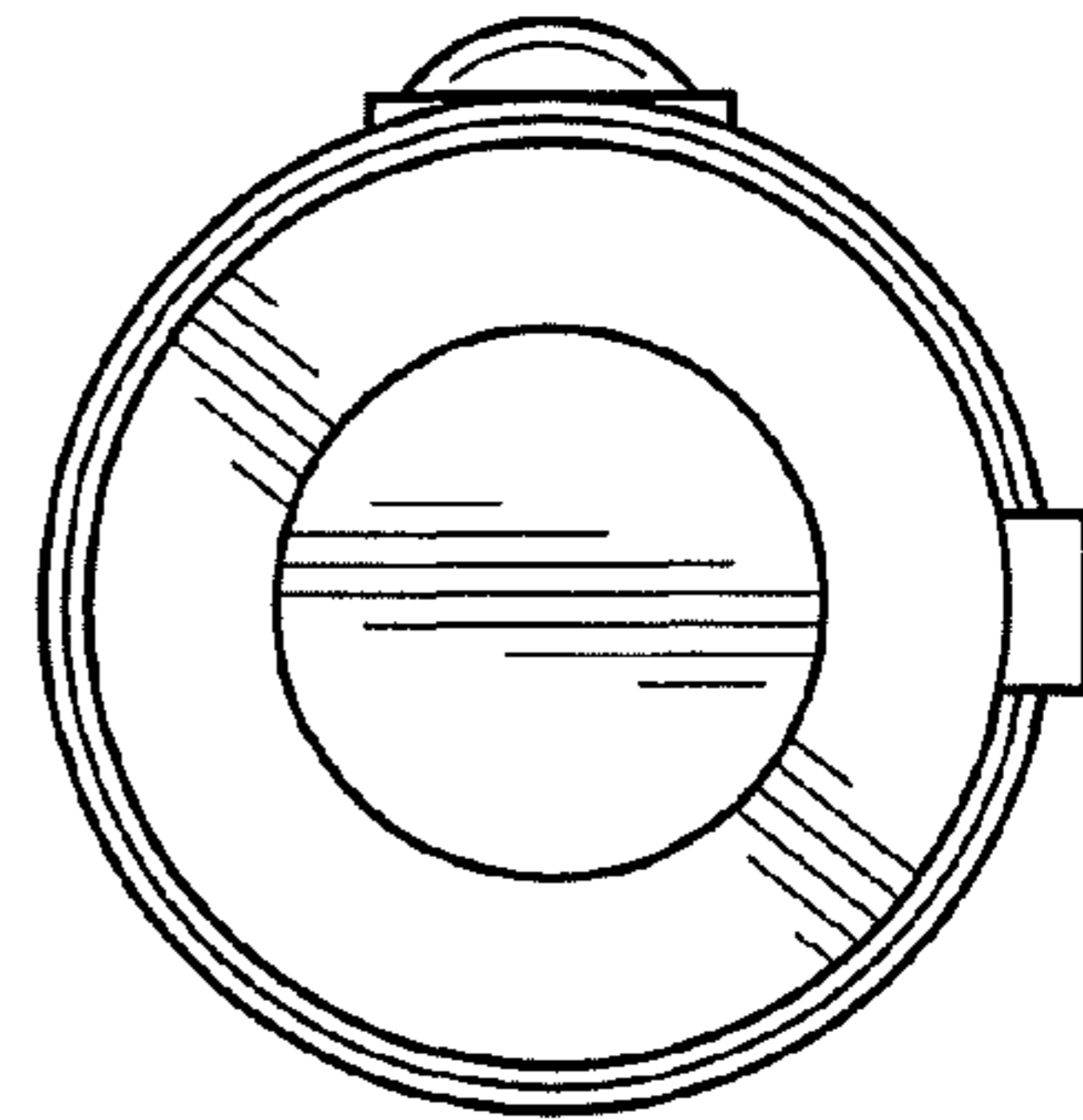
FIG. 3



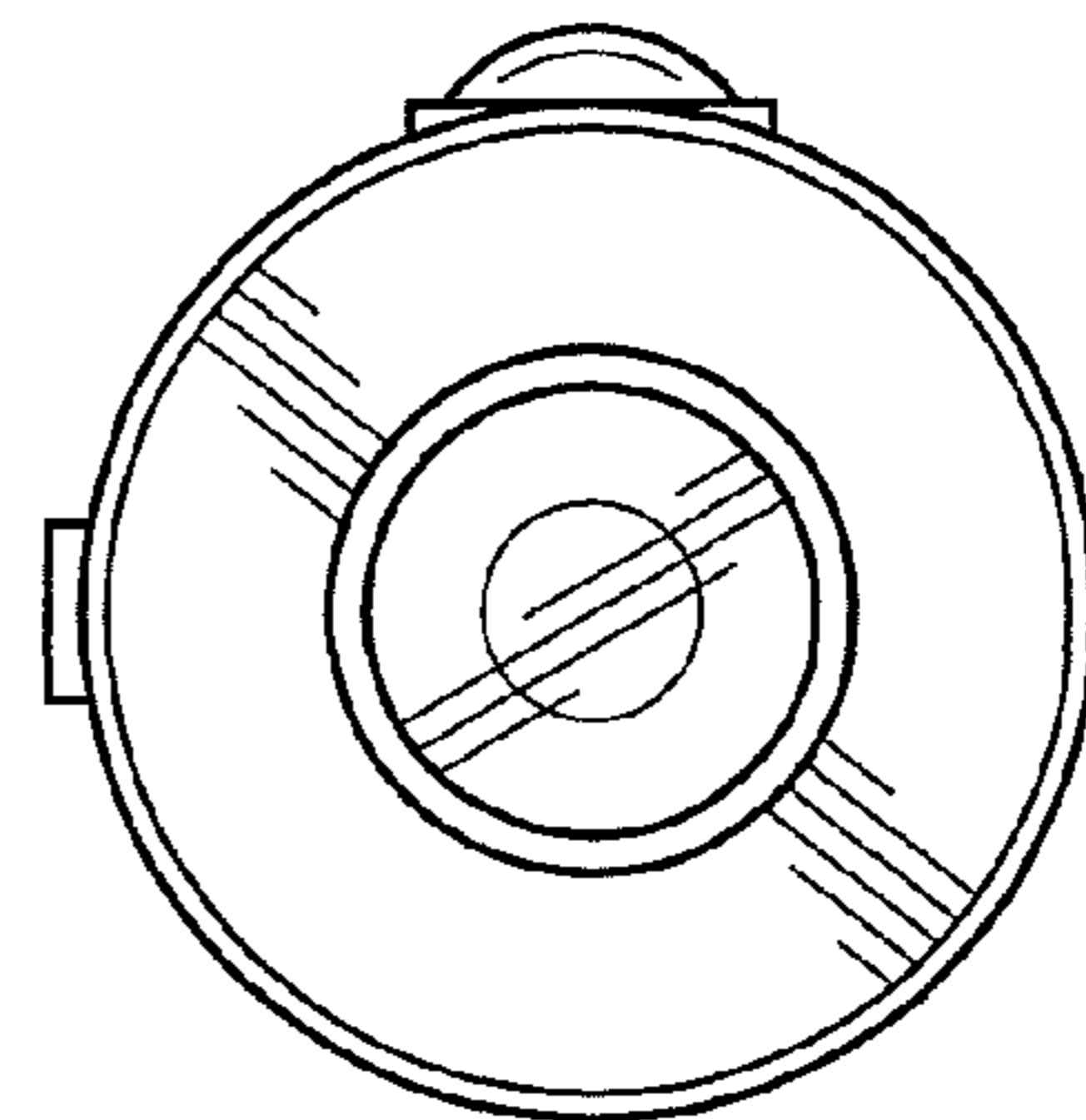
**FIG. 4**



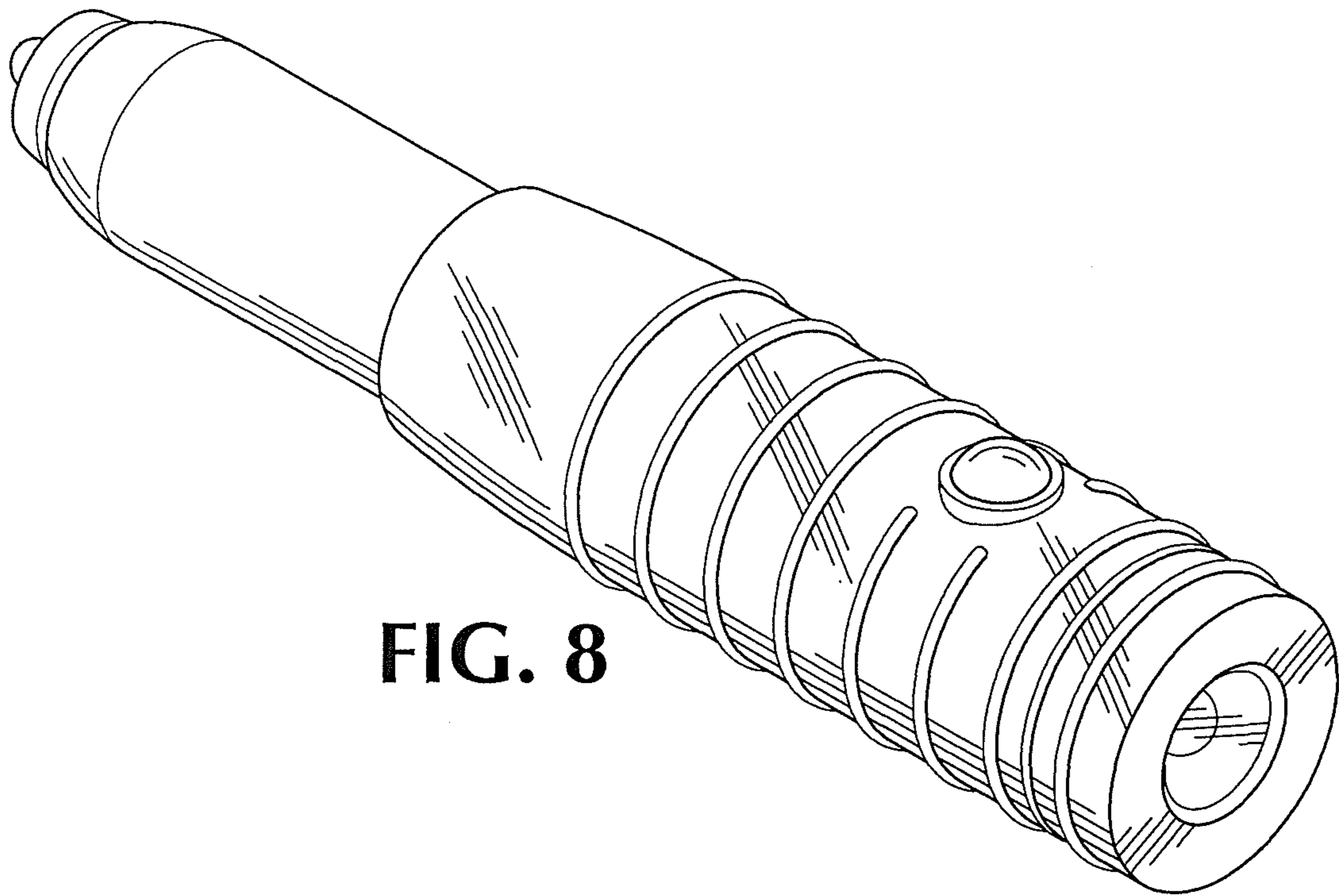
**FIG. 5**



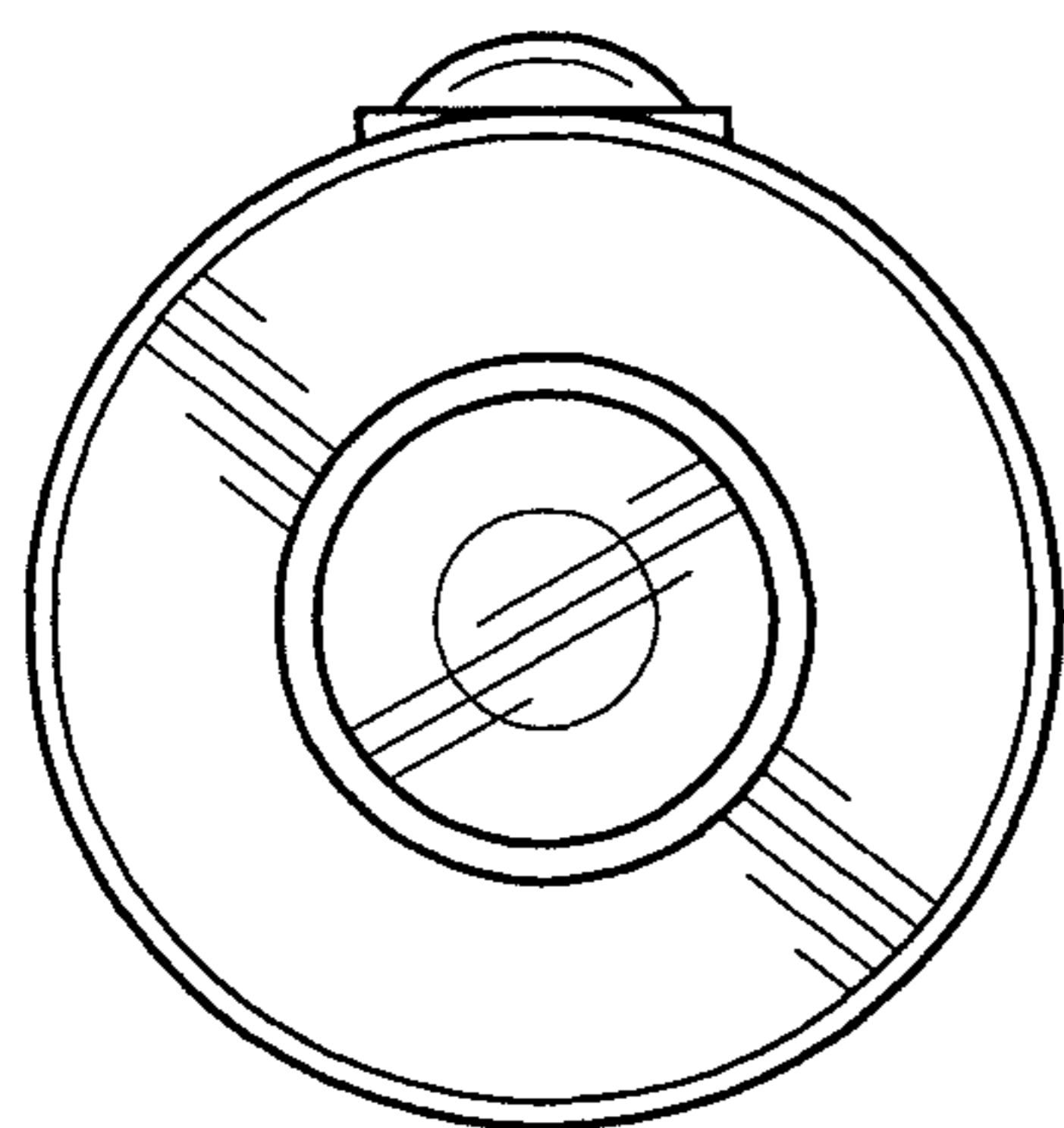
**FIG. 6**



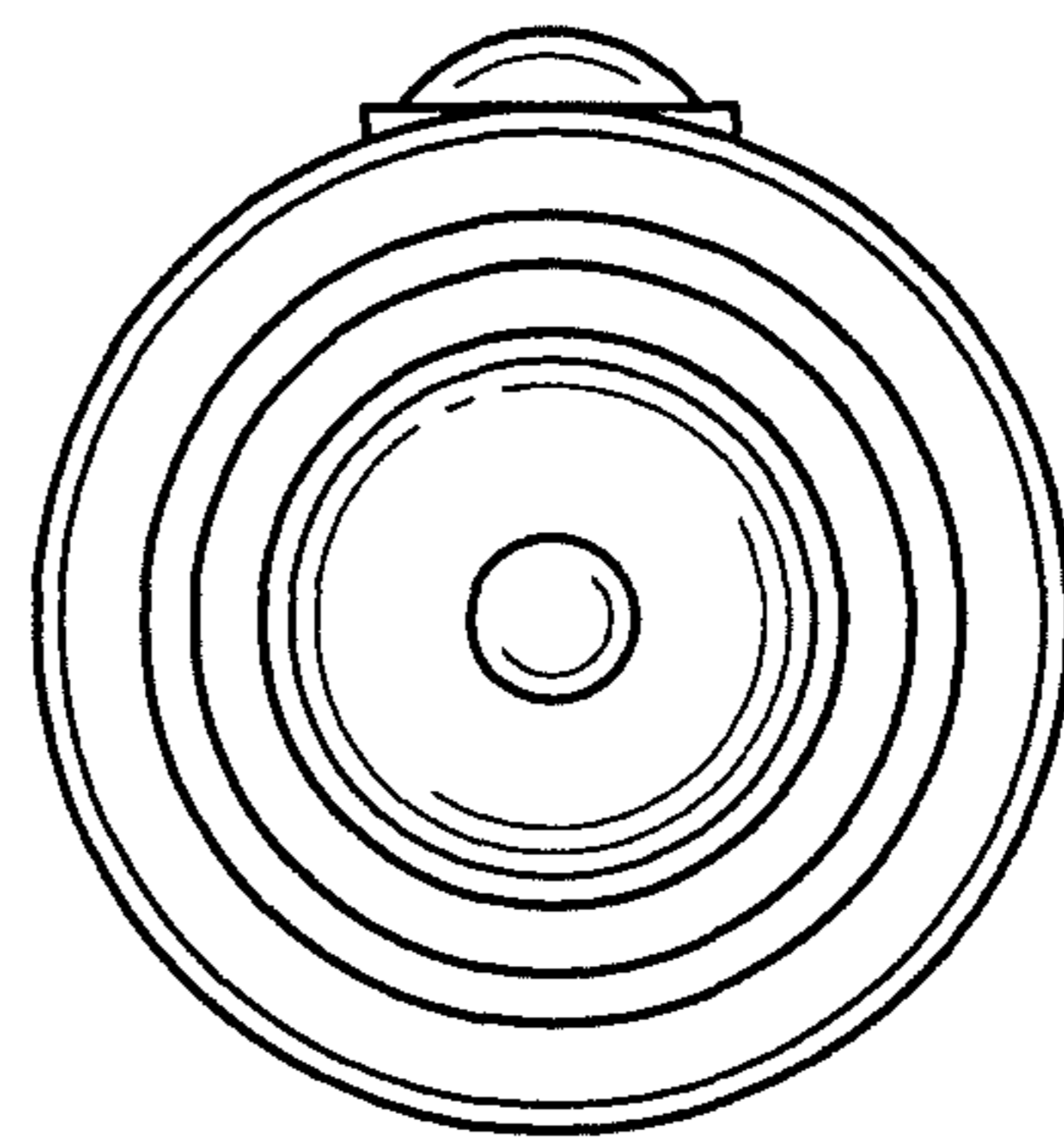
**FIG. 7**



**FIG. 8**



**FIG. 12**



**FIG. 13**

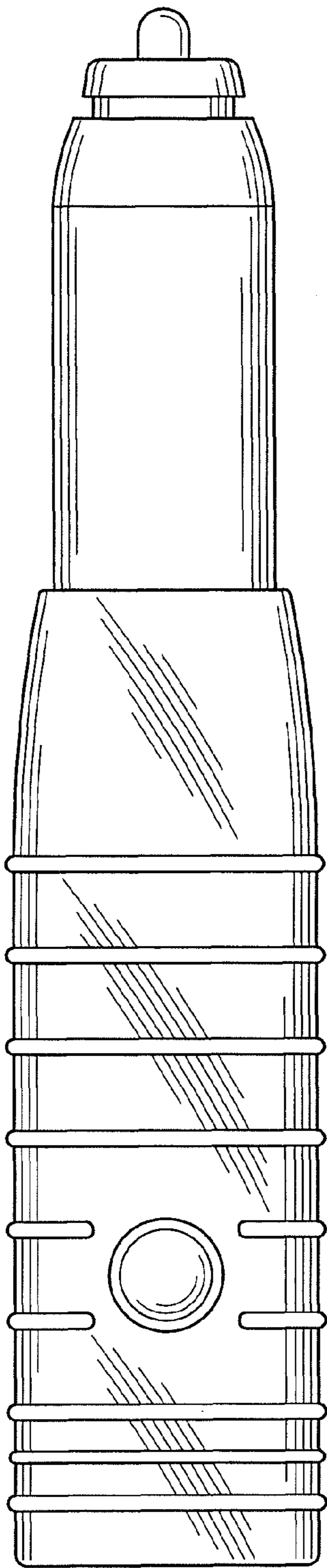


FIG. 9

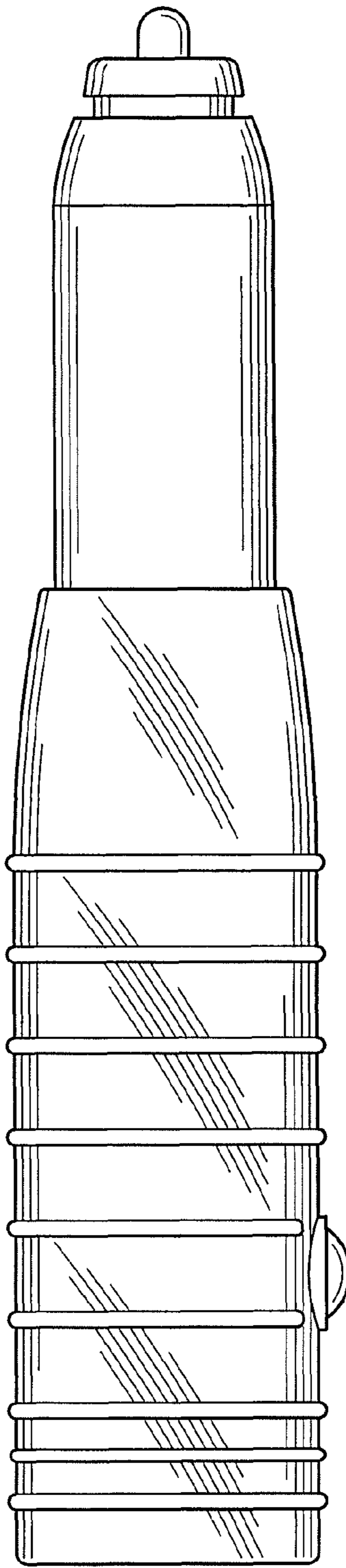


FIG. 10

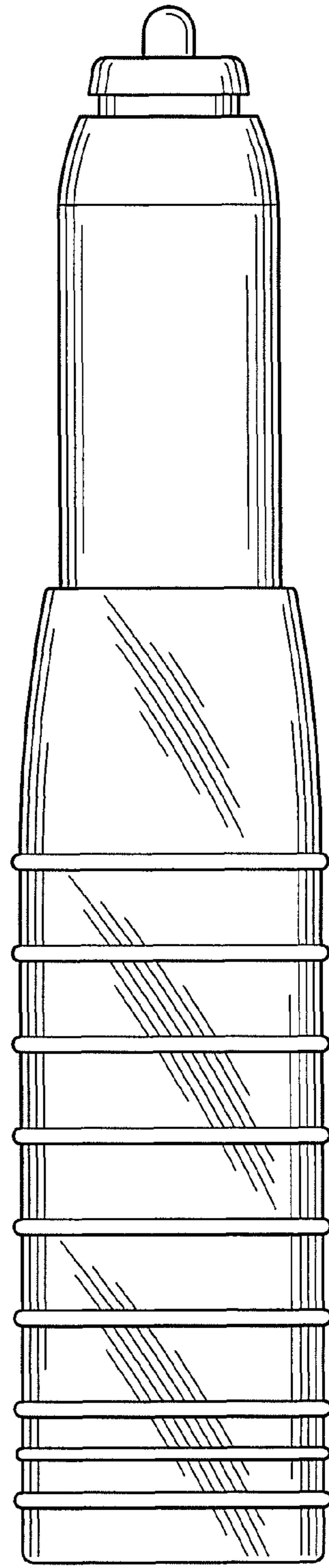


FIG. 11