



US00D647230S

(12) **United States Design Patent**  
**Bertken**

(10) **Patent No.:** **US D647,230 S**

(45) **Date of Patent:** **\*\* Oct. 18, 2011**

(54) **AUTO SAFETY TOOL**

(75) Inventor: **Dennis Bertken**, Solana Beach, CA (US)

(73) Assignee: **Life+Gear, Inc.**, Del Mar, CA (US)

(\*\*) Term: **14 Years**

(21) Appl. No.: **29/378,603**

(22) Filed: **Nov. 5, 2010**

(51) **LOC (9) Cl.** ..... **26-02**

(52) **U.S. Cl.** ..... **D26/38**

(58) **Field of Classification Search** ..... D26/37,  
D26/38, 41, 40, 46, 49, 51; D8/81; 362/157,  
362/158, 184, 183, 192, 193, 194-208, 253  
See application file for complete search history.

(56) **References Cited**

**U.S. PATENT DOCUMENTS**

D389,364 S *	1/1998	Vallarella et al.	.....	D7/300.2
D389,420 S *	1/1998	Campman	.....	D10/114.9
D417,130 S *	11/1999	Hollinger	.....	D8/81
D476,874 S *	7/2003	Kim	.....	D8/81
D515,720 S *	2/2006	Kim	.....	D26/38
D515,902 S *	2/2006	Kim	.....	D8/105

D598,150 S *	8/2009	Bertken	.....	D26/38
D612,968 S *	3/2010	Ma	.....	D26/49
D622,438 S *	8/2010	Sasada et al.	.....	D26/113
D625,860 S *	10/2010	Bertken	.....	D26/37
D626,671 S *	11/2010	Bertken	.....	D26/37
2010/0157582 A1 *	6/2010	Bertken	.....	362/158

\* cited by examiner

*Primary Examiner* — Ian Simmons

*Assistant Examiner* — Carissa C Fitts

(74) *Attorney, Agent, or Firm* — Marger Johnson & McCollom, P.C.

(57) **CLAIM**

The ornamental design for an auto safety tool, as shown and described.

**DESCRIPTION**

FIG. 1 is a perspective view of the auto safety tool according to the present design;

FIG. 2 is a top plan view of the design of FIG. 1;

FIG. 3 is a left side elevation view of the design of FIG. 1;

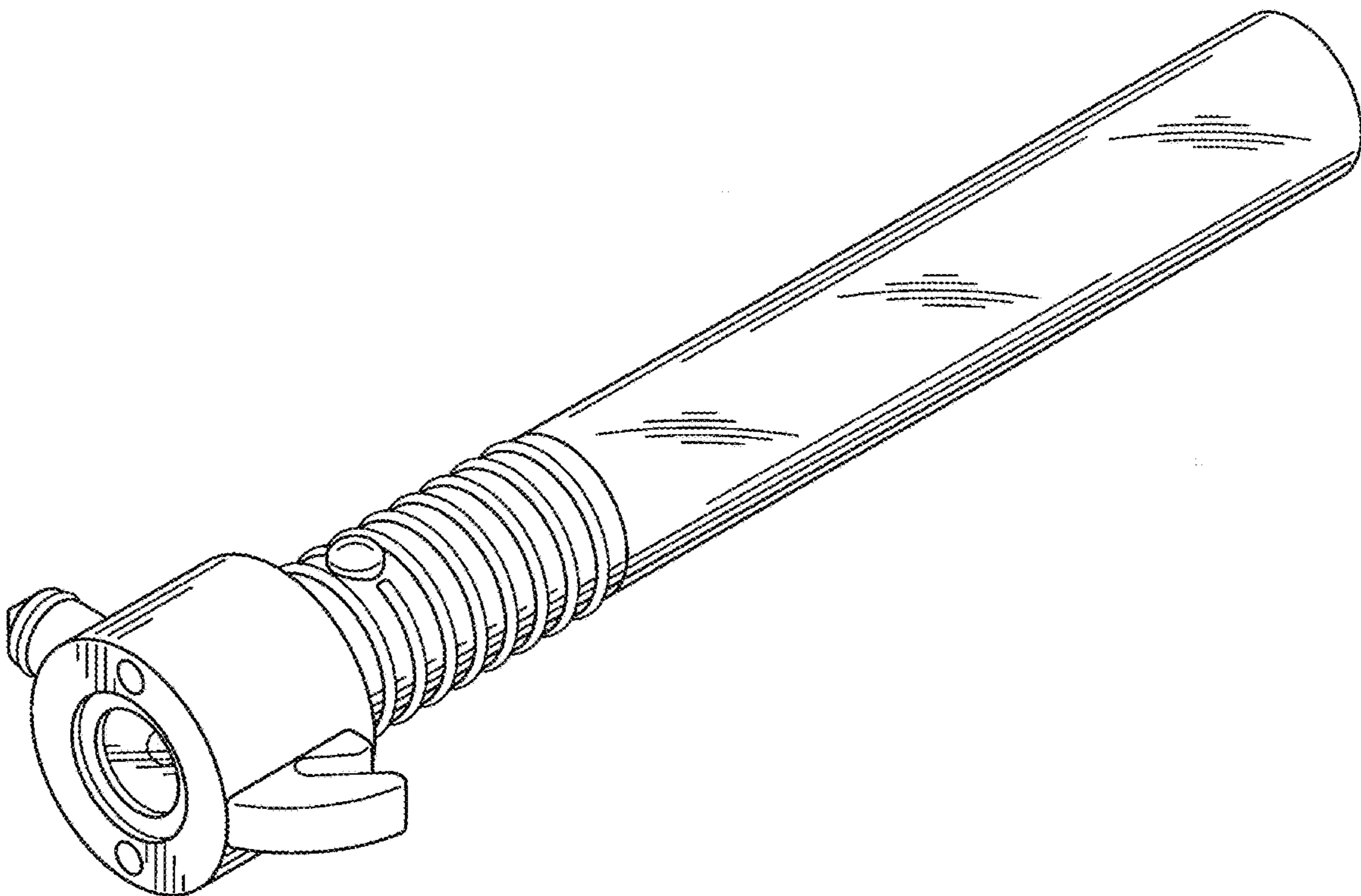
FIG. 4 is a right side elevation view of the design of FIG. 1;

FIG. 5 is a bottom plan view of the design of FIG. 1;

FIG. 6 is a front elevation view of the design of FIG. 1; and,

FIG. 7 is a rear elevation view of the design of FIG. 1.

**1 Claim, 3 Drawing Sheets**



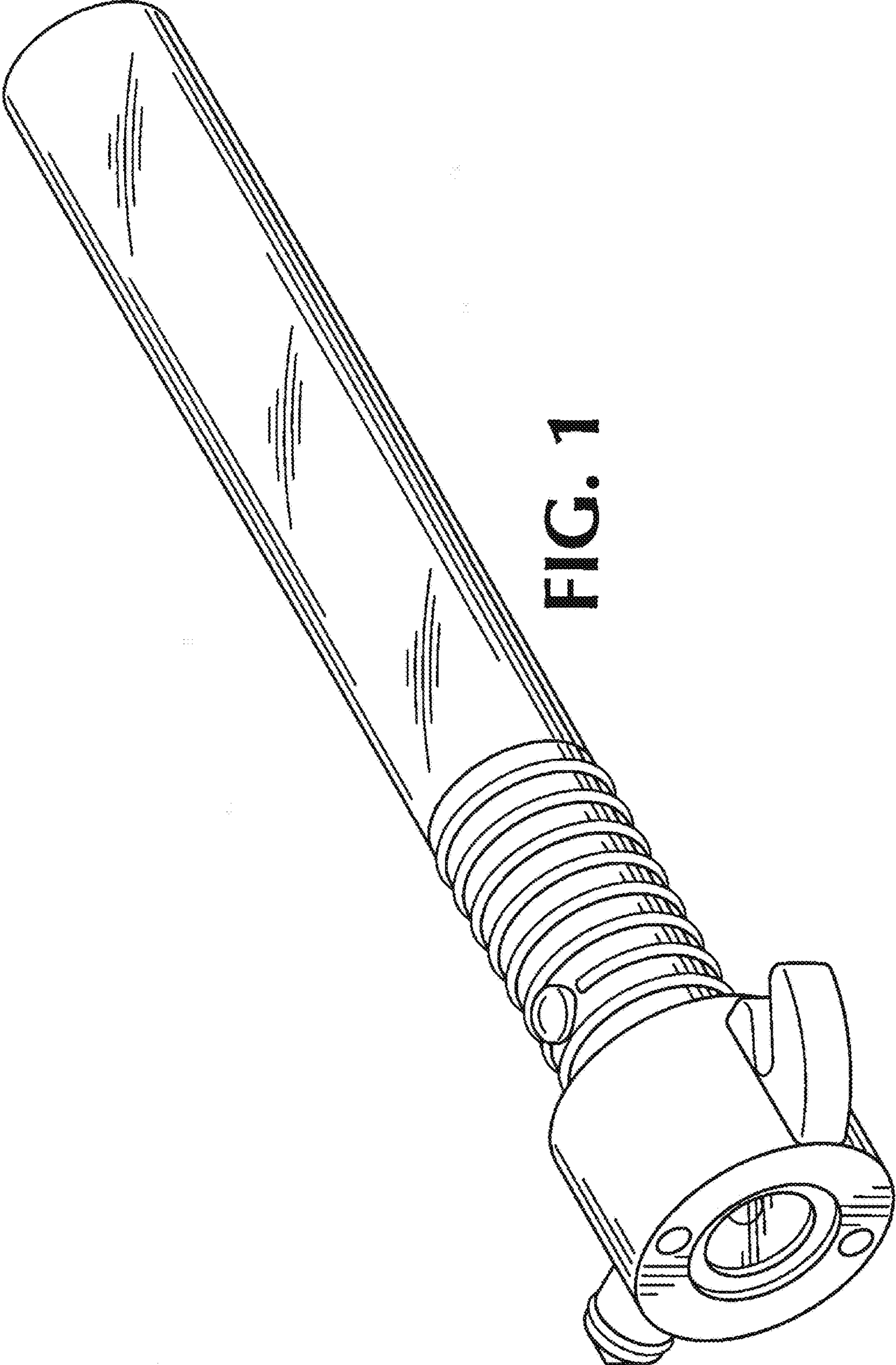


FIG. 1

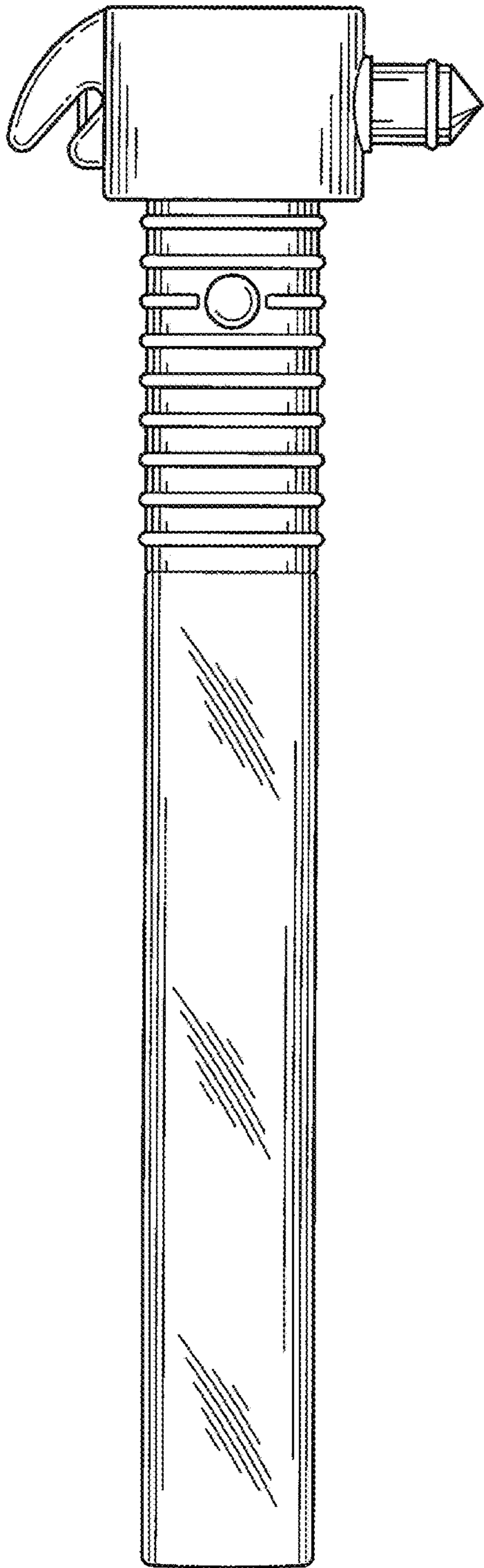


FIG. 2

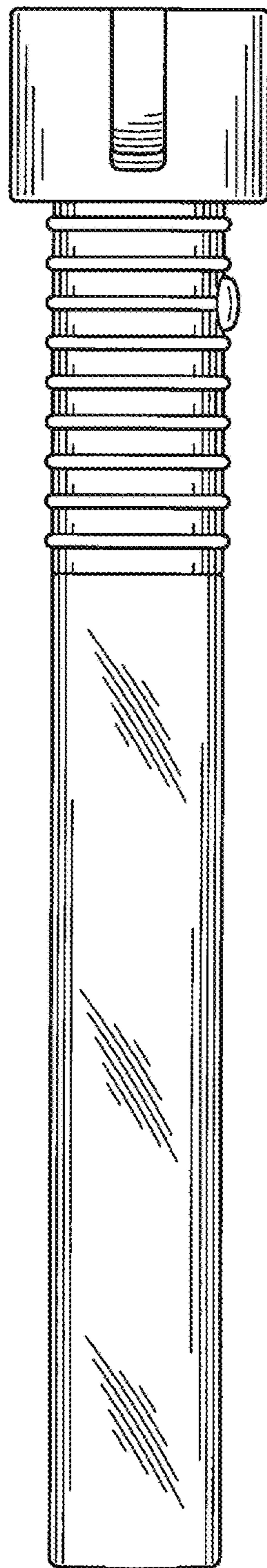


FIG. 3

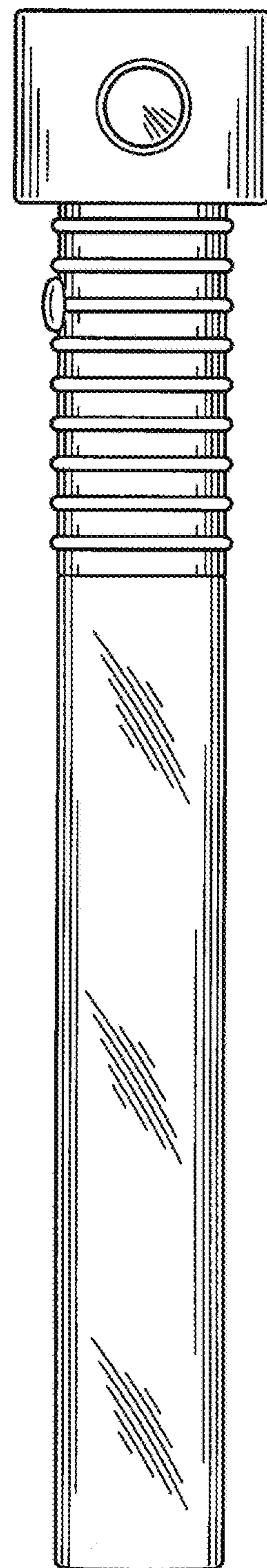
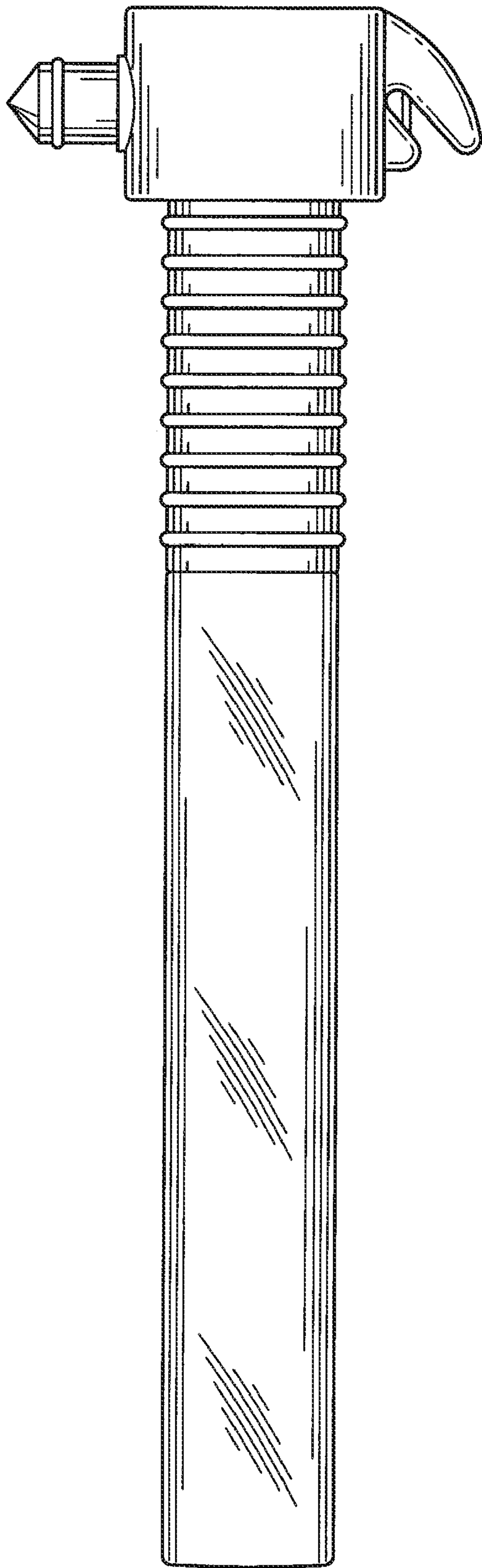
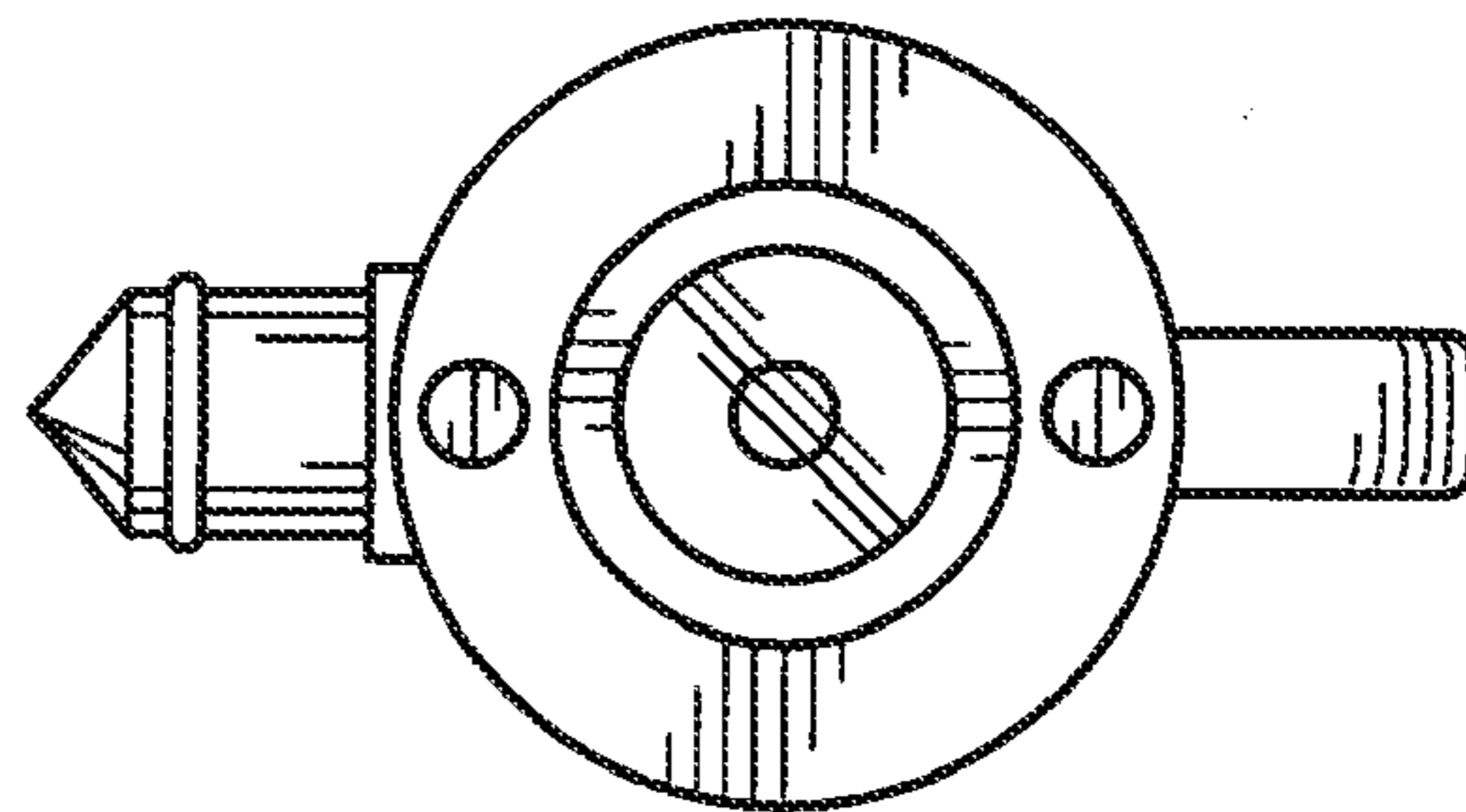


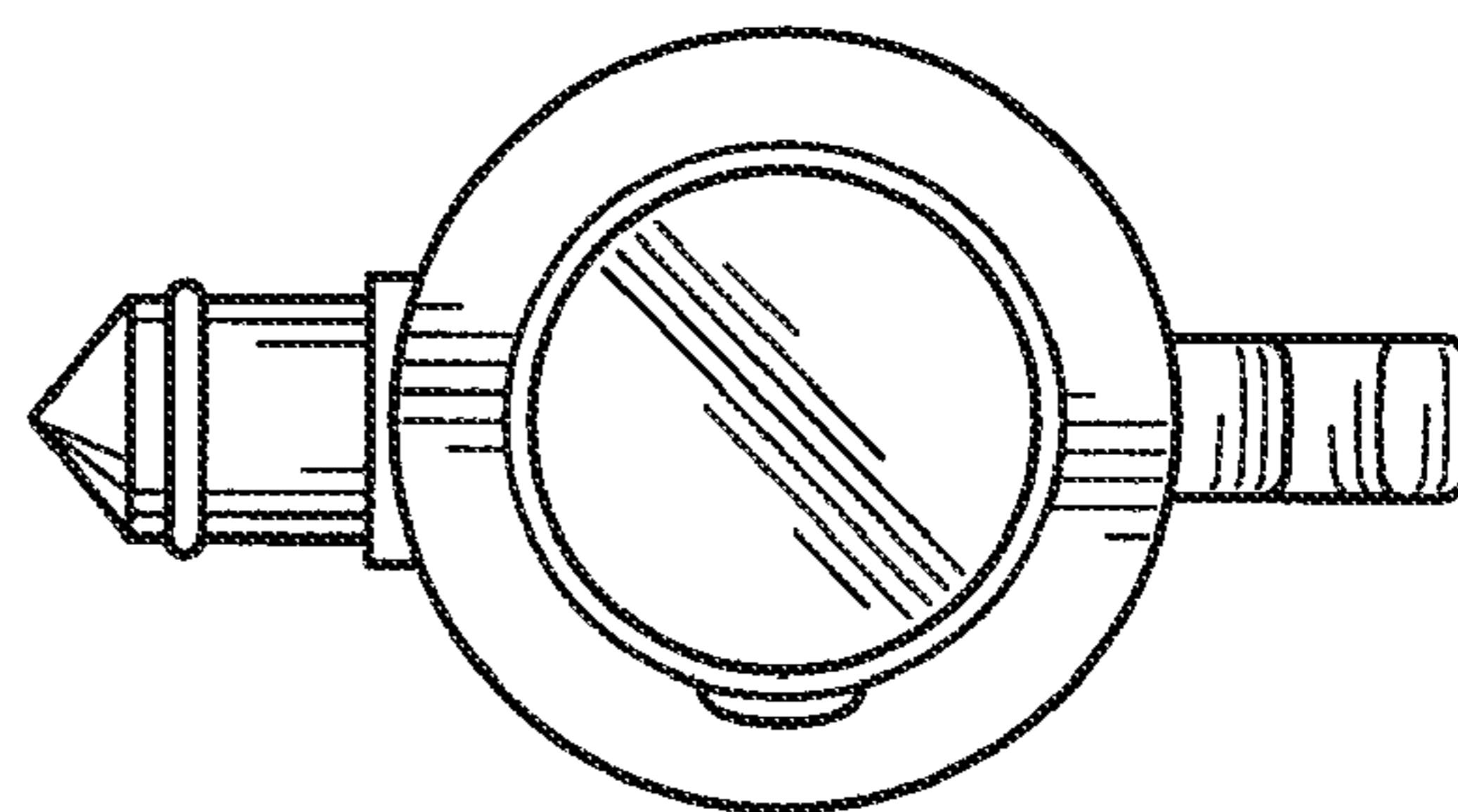
FIG. 4



**FIG. 5**



**FIG. 6**



**FIG. 7**