



US00D647227S

(12) **United States Design Patent**
Kaule et al.

(10) **Patent No.:** **US D647,227 S**
(45) **Date of Patent:** **** Oct. 18, 2011**

(54) **LIGHTING DEVICE**

(75) Inventors: **Brian M. Kaule**, Cicero, NY (US);
David A. Spartano, Brunswick, OH
(US); **Scott W. Osiecki**, Skaneateles, NY
(US)

(73) Assignee: **Eveready Battery Company, Inc.**, St.
Louis, MO (US)

(**) Term: **14 Years**

(21) Appl. No.: **29/341,279**

(22) Filed: **Aug. 3, 2009**

(51) **LOC (9) Cl.** **26-05**

(52) **U.S. Cl.** **D26/24**

(58) **Field of Classification Search** D26/24,
D26/1, 2, 25, 26, 37, 72, 73, 74, 77, 93, 104,
D26/113, 118; D13/180, 182; 362/555,
362/563, 576, 145, 147, 148, 153, 157, 186,
362/290, 294, 317, 335, 351, 364, 373, 800,
362/805, 806

See application file for complete search history.

(56) **References Cited**

U.S. PATENT DOCUMENTS

D400,292 S * 10/1998 Hoffbauer D26/135
D481,823 S * 11/2003 McClow et al. D26/113
D574,095 S * 7/2008 Hill et al. D26/26

D581,081 S * 11/2008 Mier-Langner D26/72
D583,967 S * 12/2008 Leunis D26/24
D601,295 S * 9/2009 Brown D26/118
D603,086 S * 10/2009 Zayas D26/113
D607,600 S * 1/2010 Keith D26/85
D625,876 S * 10/2010 Chen et al. D26/74
D628,722 S * 12/2010 Yamamoto et al. D26/2
D633,231 S * 2/2011 Morrison D26/24
2006/0250789 A1 11/2006 Coushaine
2007/0253192 A1* 11/2007 Monteiro et al. 362/147
2007/0274070 A1* 11/2007 Wedell 362/244

* cited by examiner

Primary Examiner — Angela J Lee

(74) *Attorney, Agent, or Firm* — Michael C. Pophal

(57) **CLAIM**

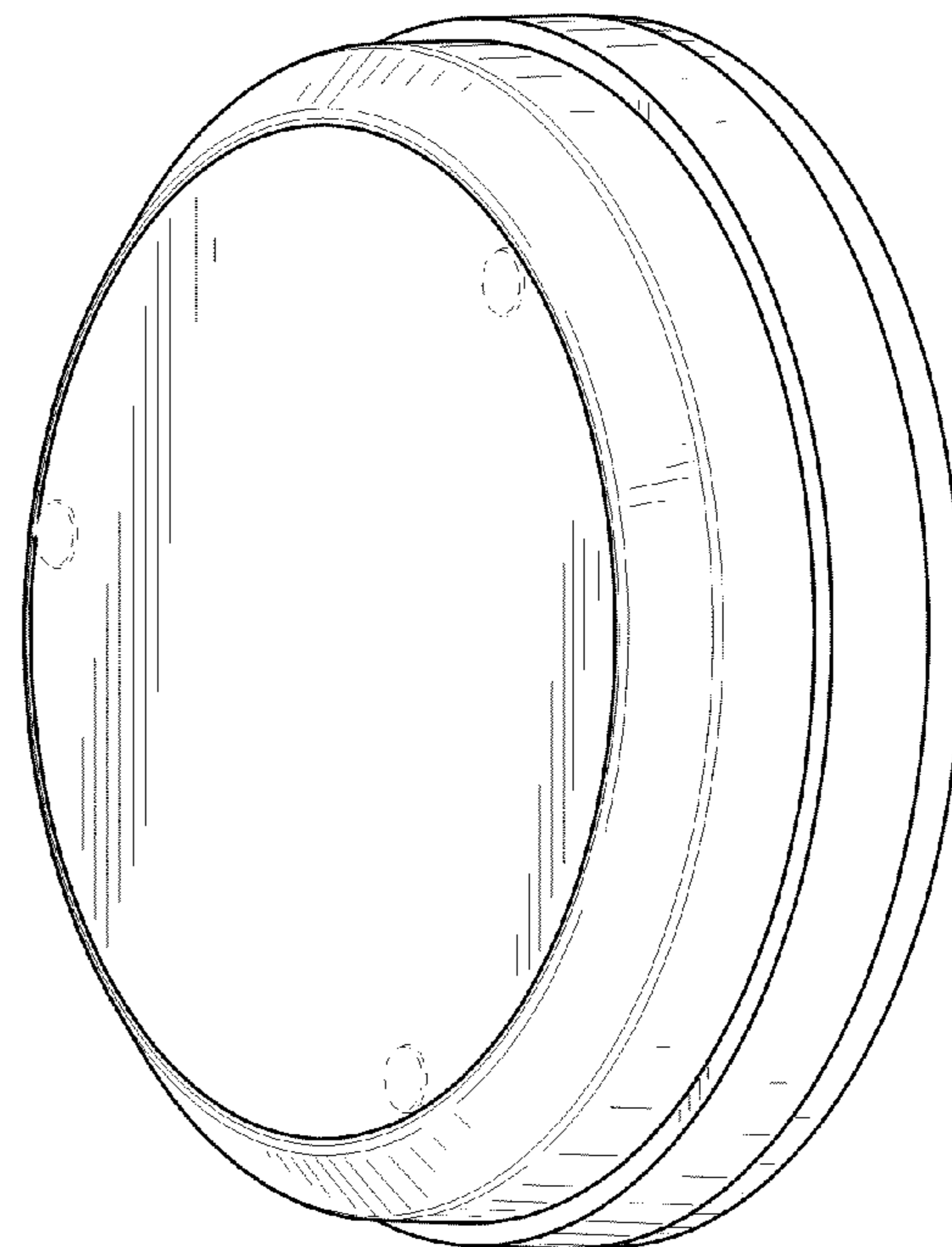
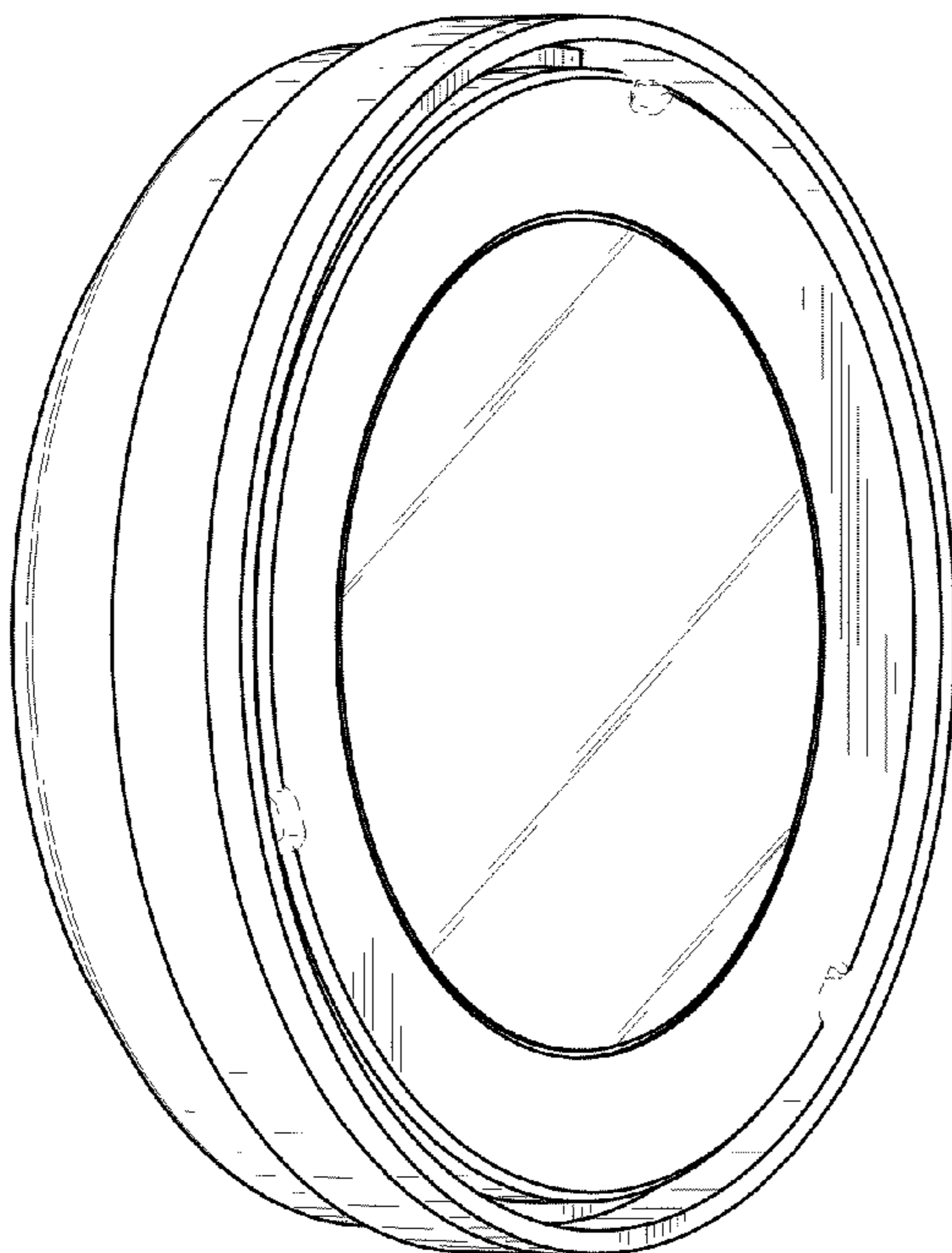
We claim the ornamental design for a lighting device, as shown and described.

DESCRIPTION

FIG. 1 is a rear perspective view of a lighting device.
FIG. 2 is a front perspective view of the lighting device.
FIG. 3 is a top view of the lighting device.
FIG. 4 is a bottom view of the lighting device; and,
FIG. 5 is a right side view of the lighting device. The left side view, front view and rear view are mirror images of the right side view.

The portions of the lighting device shown in broken lines form no part of the claimed design.

1 Claim, 2 Drawing Sheets



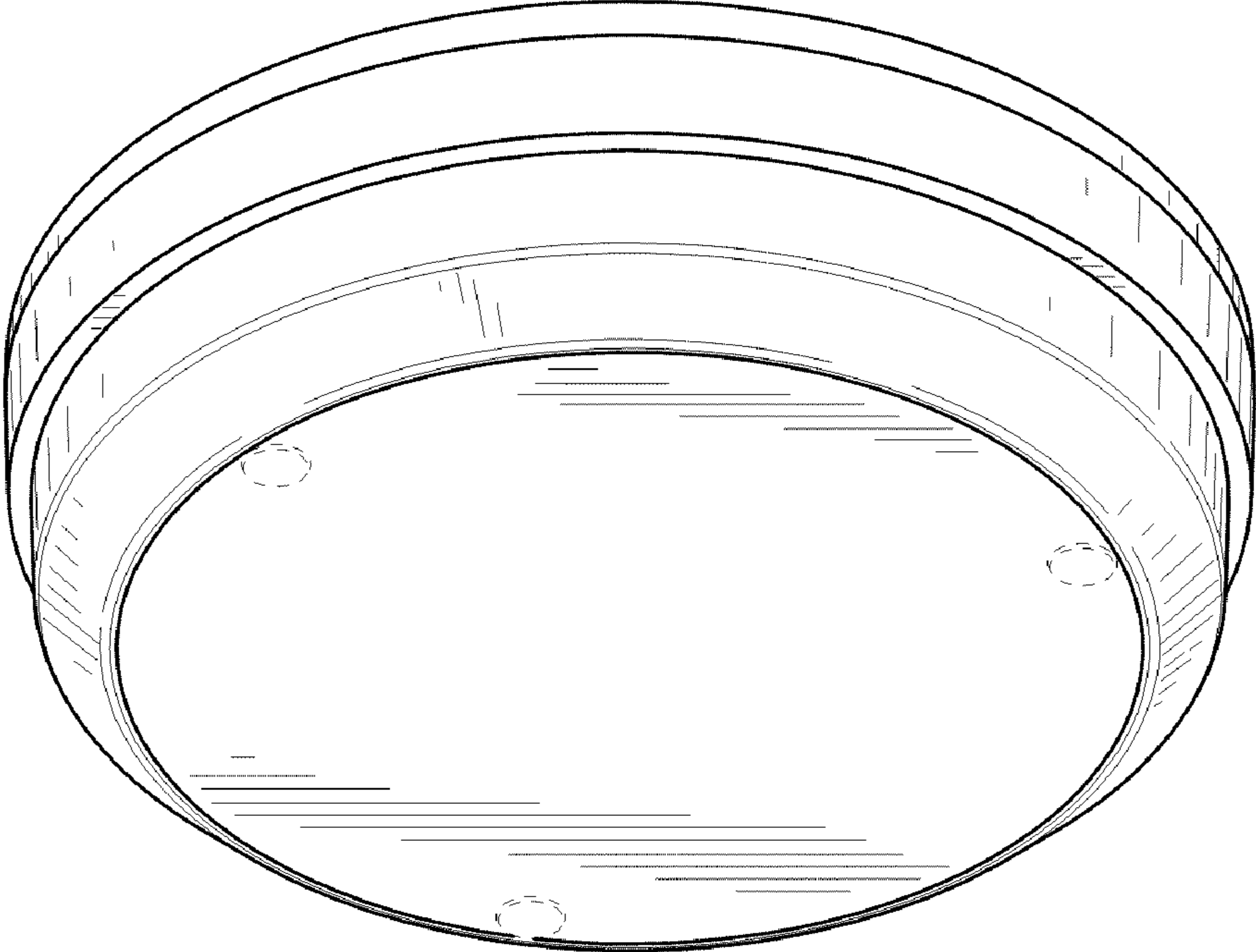


Fig. 1

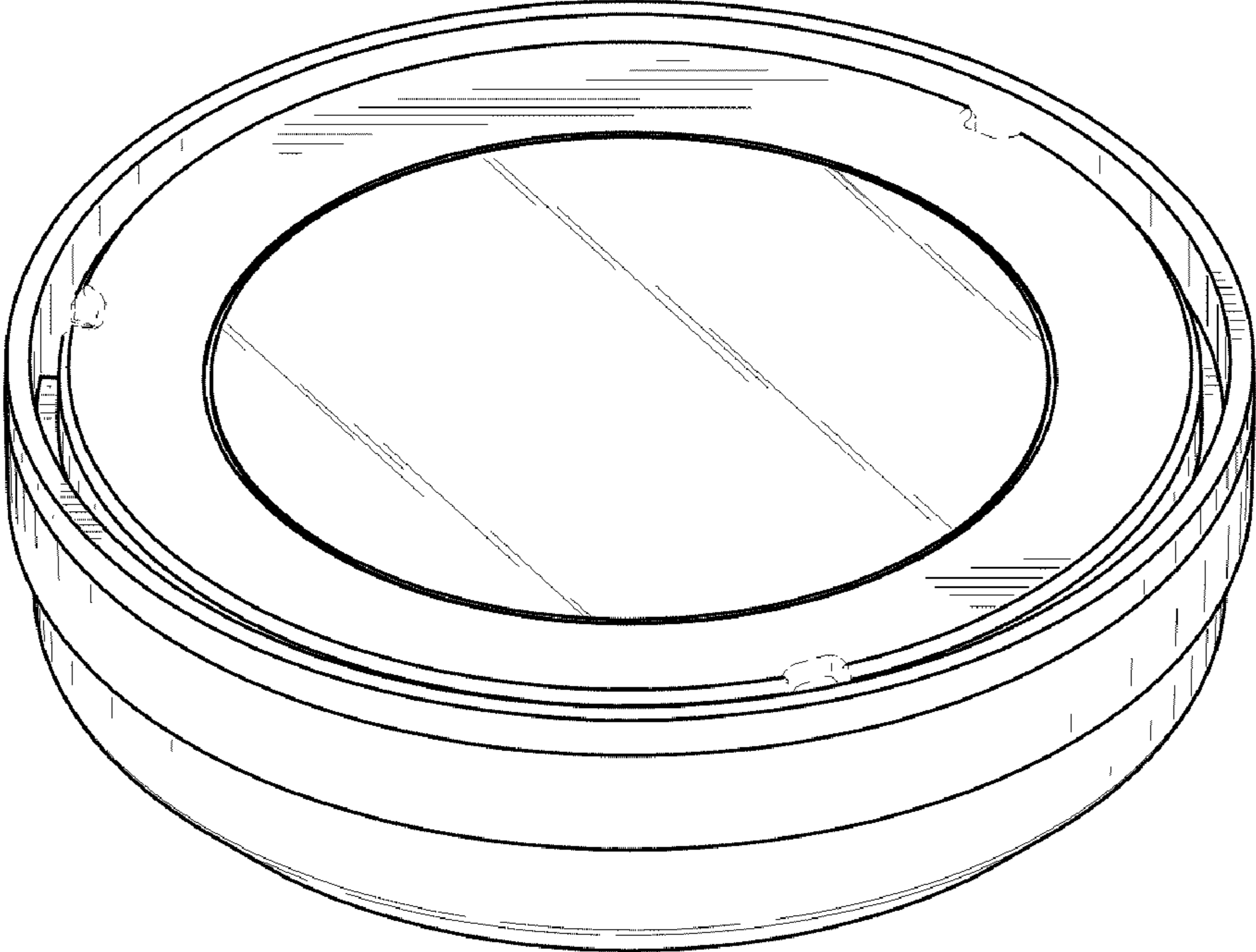


Fig. 2

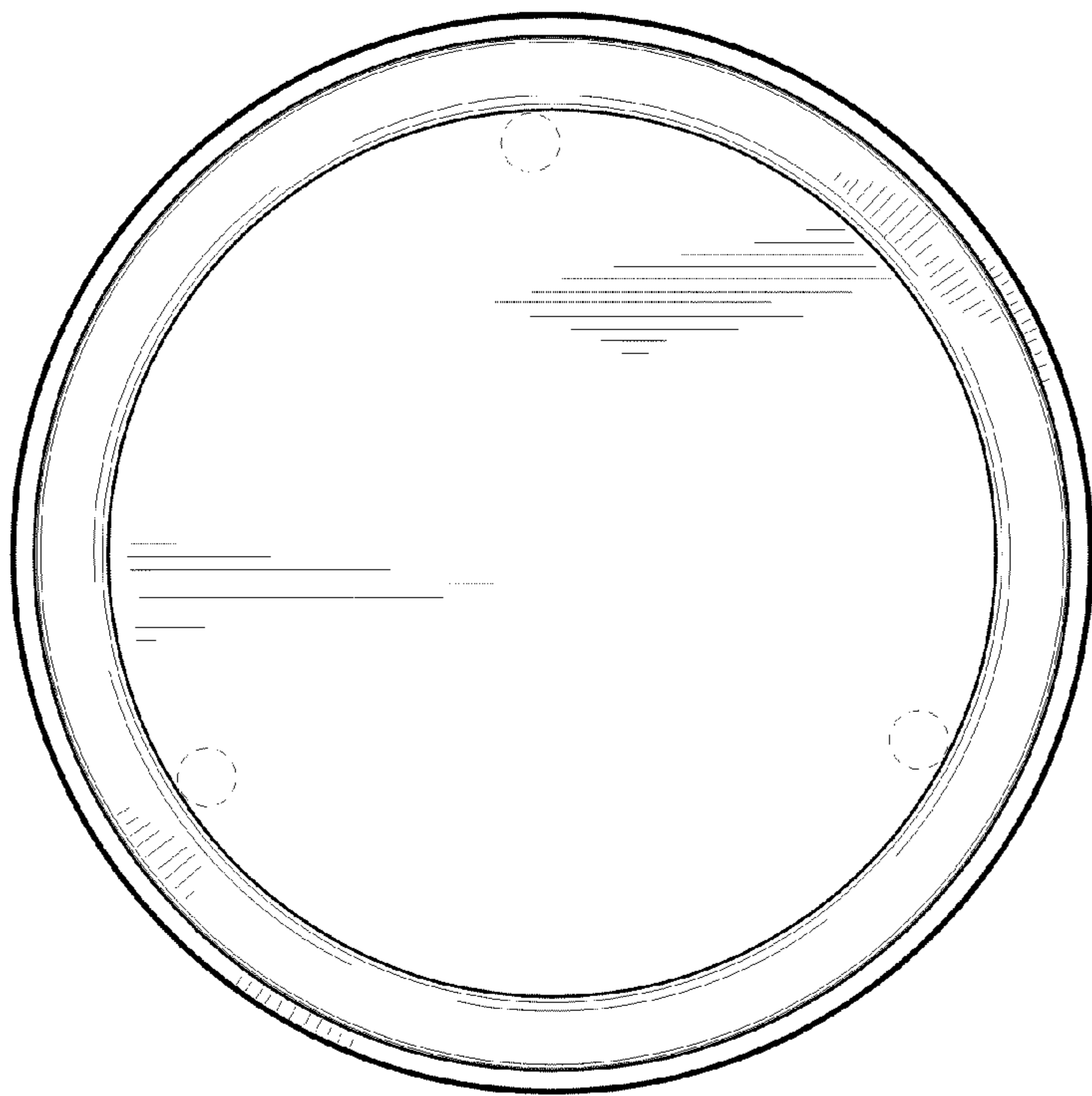


Fig. 4

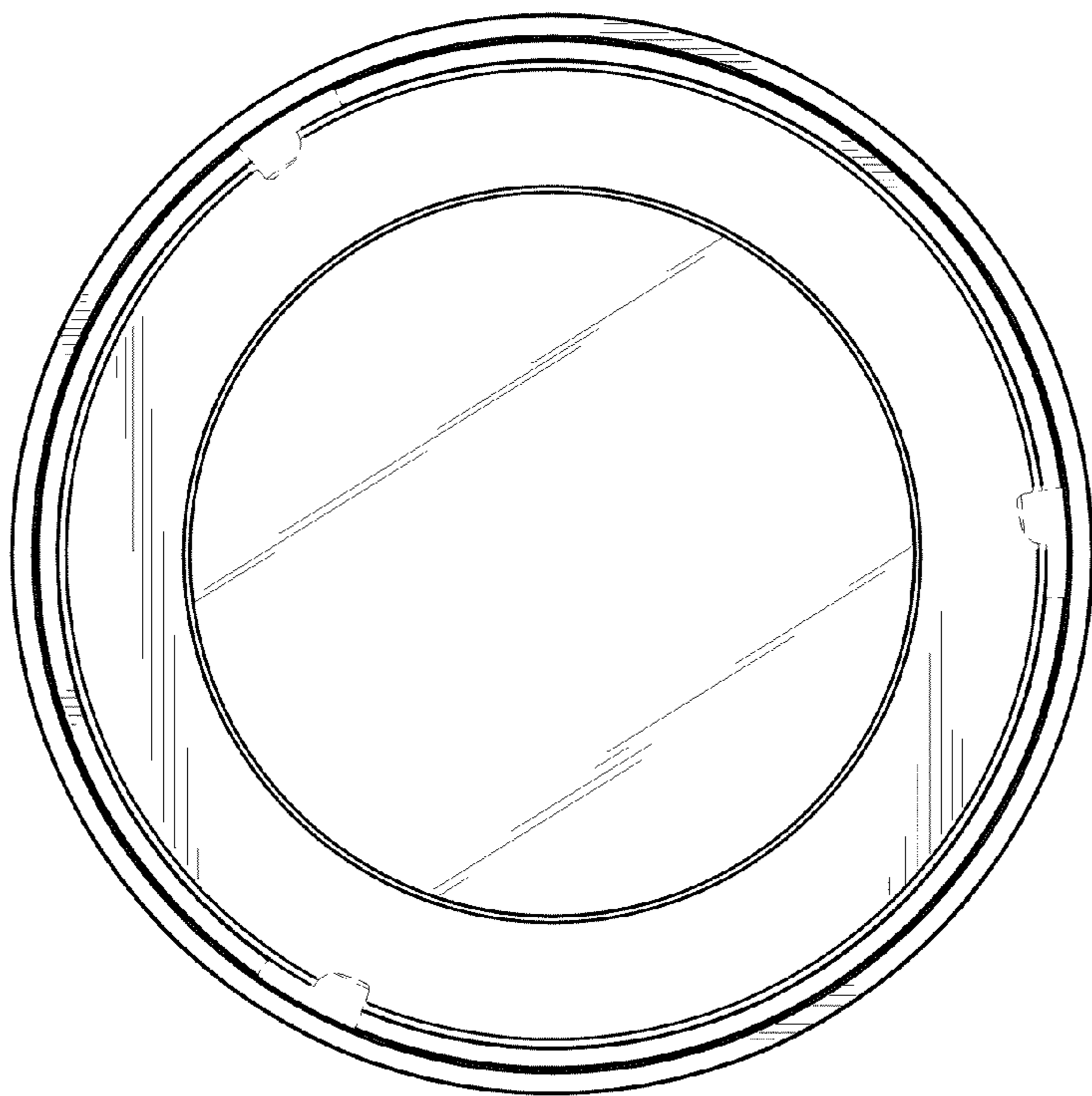


Fig. 3

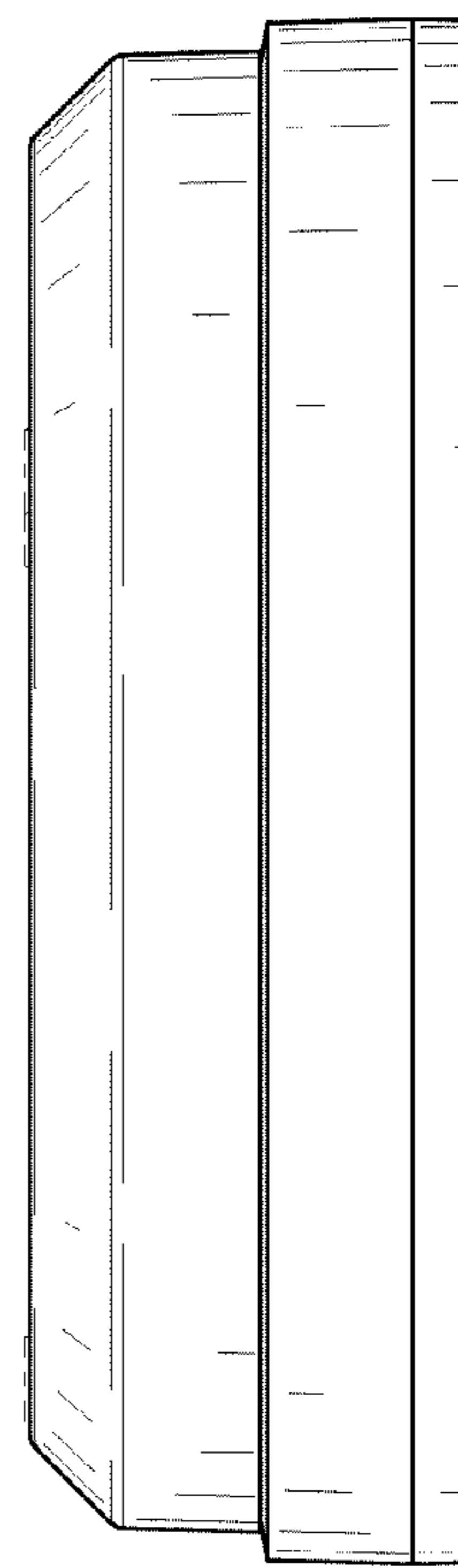


Fig. 5