



US00D647226S

(12) **United States Design Patent**
Huang et al.

(10) **Patent No.:** **US D647,226 S**
(45) **Date of Patent:** **** Oct. 18, 2011**

(54) **LED LAMP**

(75) Inventors: **Chun-Chiang Huang**, New Taipei (TW); **Hsuan-Hsien Lee**, New Taipei (TW); **Vivienne Su**, New Taipei (TW)

(73) Assignee: **Edison Opto Corporation**, New Taipei

(**) Term: **14 Years**

(21) Appl. No.: **29/390,721**

(22) Filed: **Apr. 28, 2011**

(51) **LOC (9) Cl.** **26-04**

(52) **U.S. Cl.** **D26/2**

(58) **Field of Classification Search** D26/1-4;
313/313, 315, 316, 317, 318, 493; 315/52,
315/53, 56, 57, 58

See application file for complete search history.

(56) **References Cited**

U.S. PATENT DOCUMENTS

D545,456 S * 6/2007 Foo D26/2
D561,917 S * 2/2008 Tsao D26/2

D568,498 S * 5/2008 Degenhard et al. D26/2
D581,555 S * 11/2008 To et al. D26/2
D593,222 S * 5/2009 To et al. D26/2
D601,722 S * 10/2009 Foo D26/2

* cited by examiner

Primary Examiner — Marcus Jackson

(74) *Attorney, Agent, or Firm* — Huffman Law Group, P.C.;
James W. Huffman

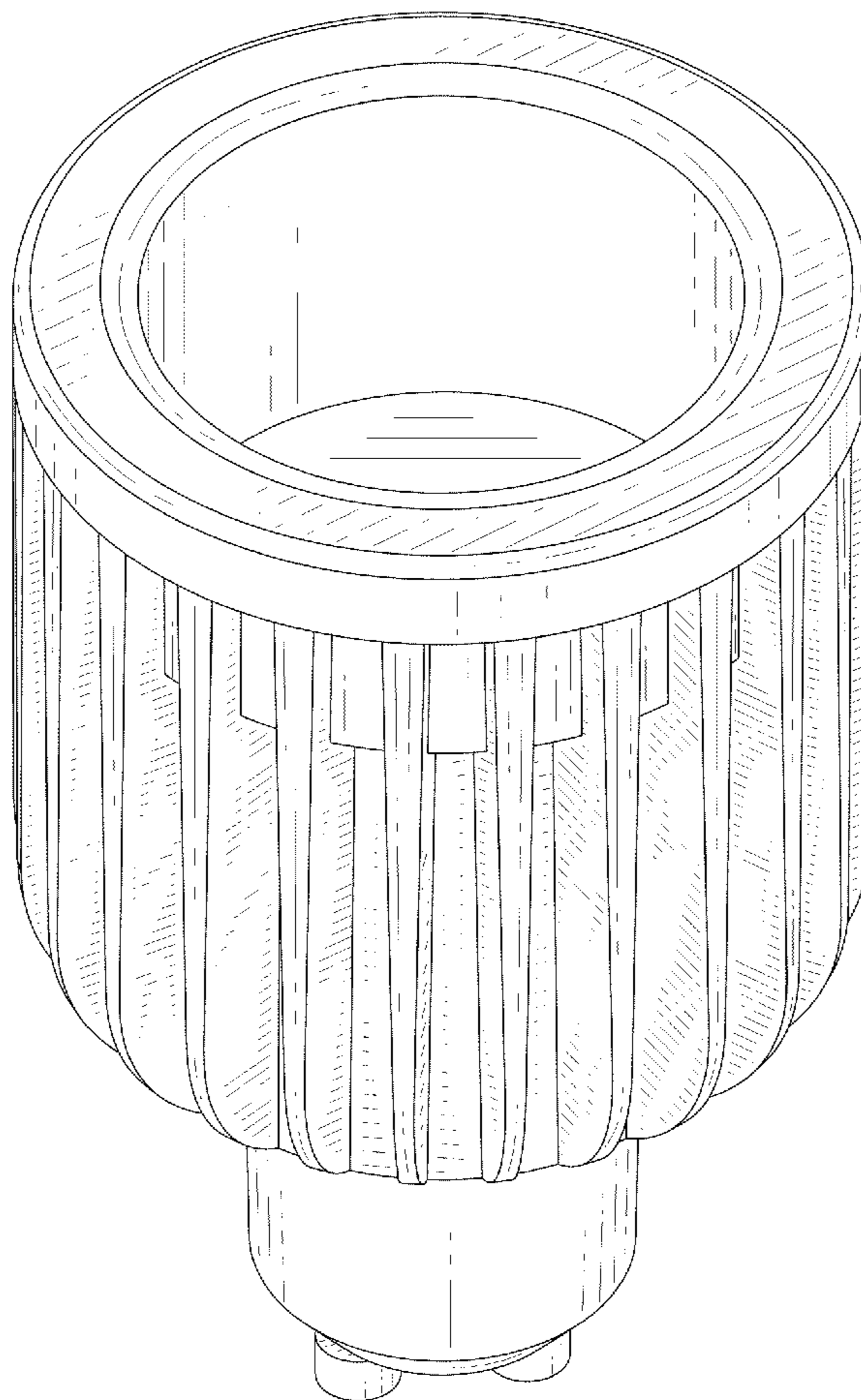
(57) **CLAIM**

The ornamental design for a LED lamp, as shown and described.

DESCRIPTION

FIG. 1 is a perspective view of a LED lamp showing our new design;
FIG. 2 is a front view thereof;
FIG. 3 is a rear view thereof;
FIG. 4 is a left side view thereof;
FIG. 5 is a right side view thereof;
FIG. 6 is a top view thereof; and,
FIG. 7 is a bottom view thereof.

1 Claim, 6 Drawing Sheets



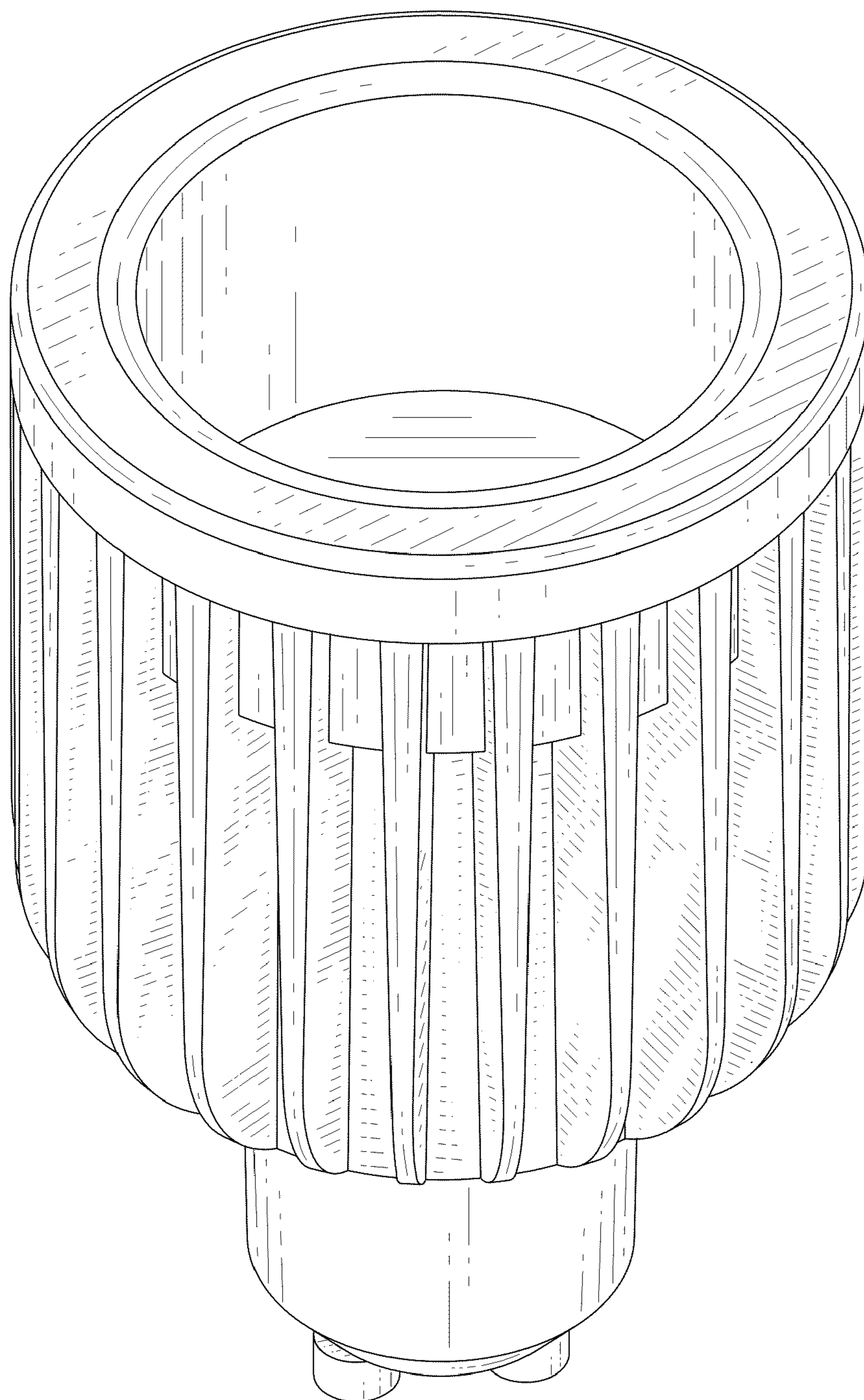


FIG. 1

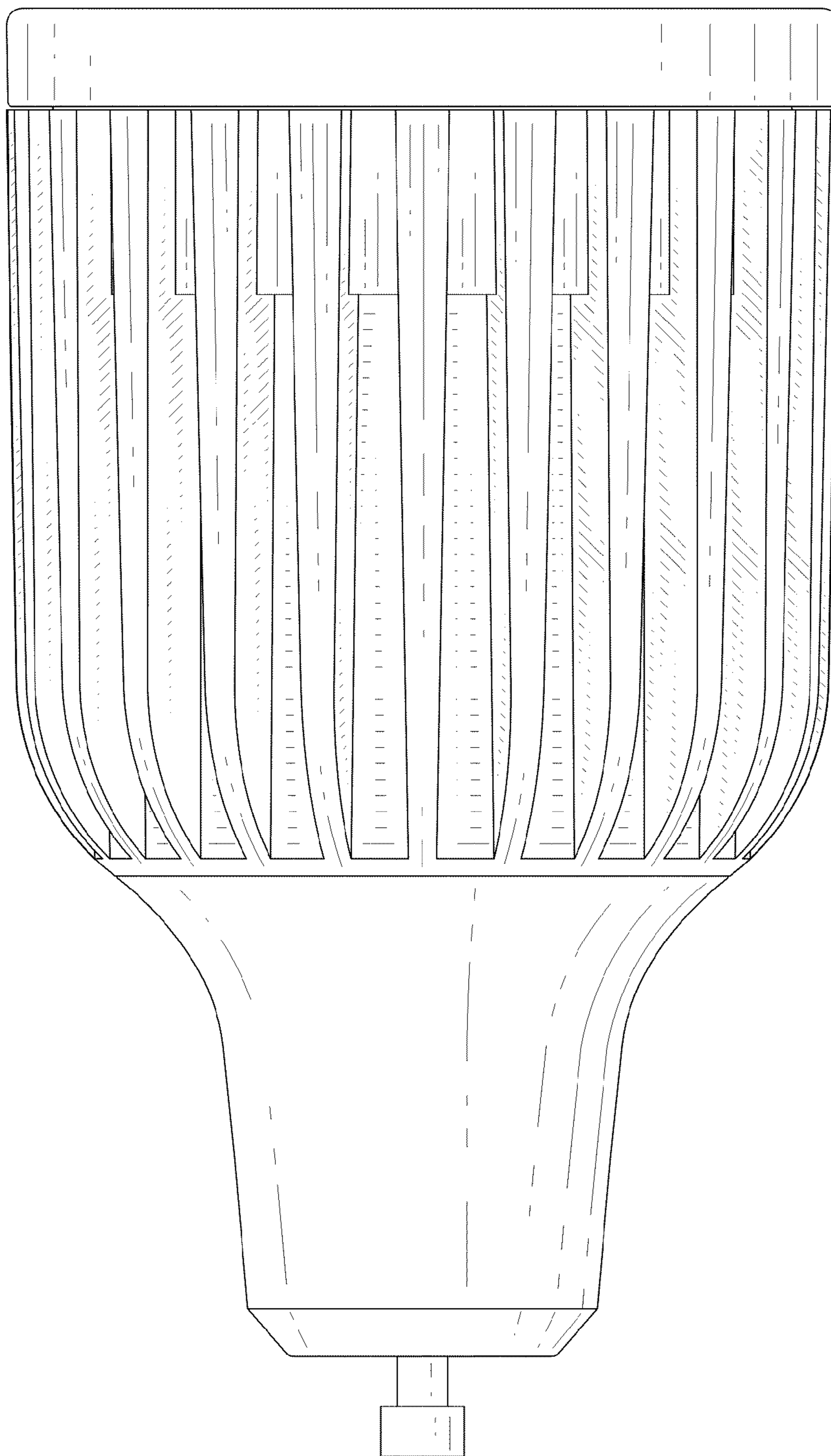


FIG. 2

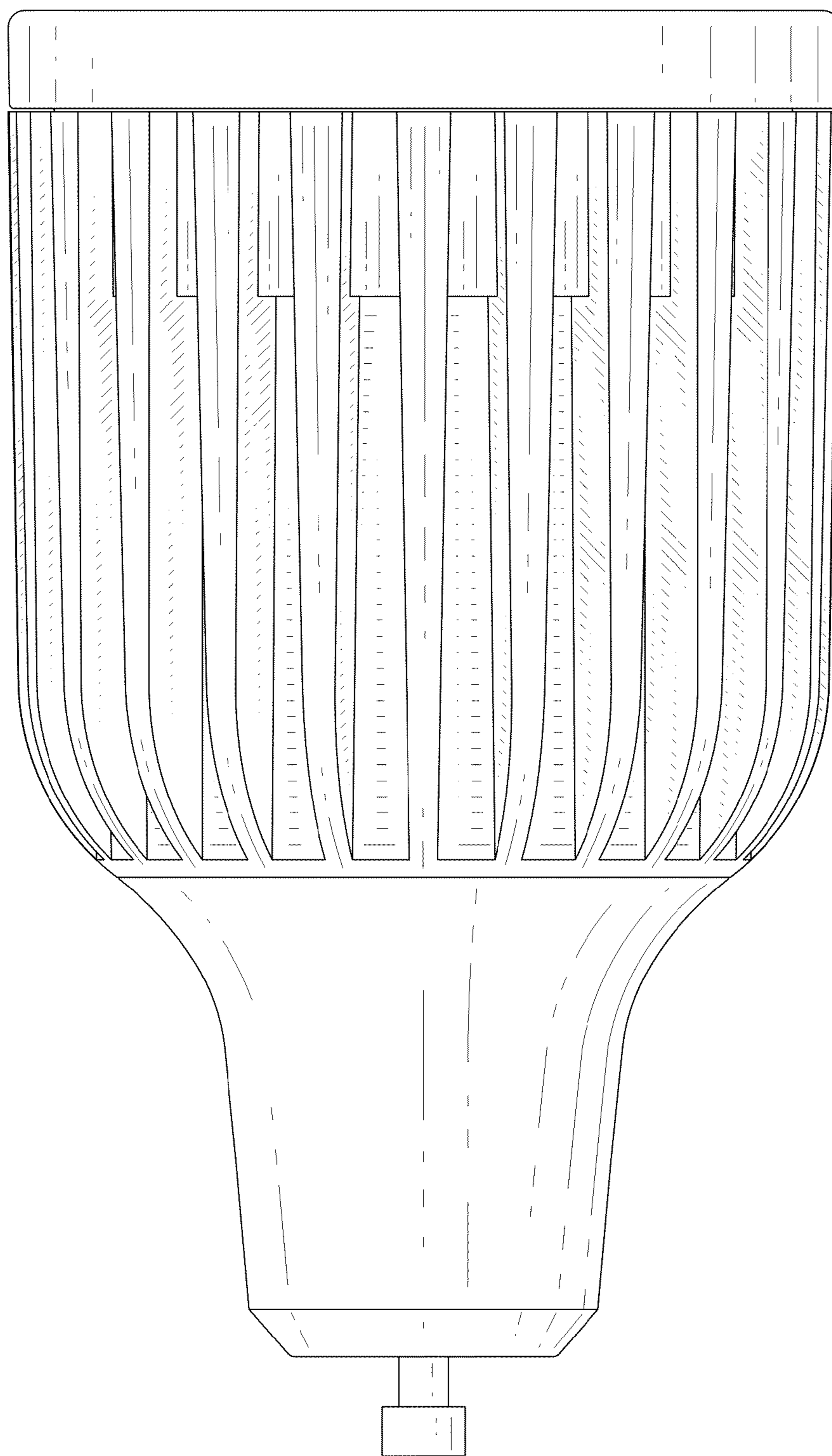


FIG. 3

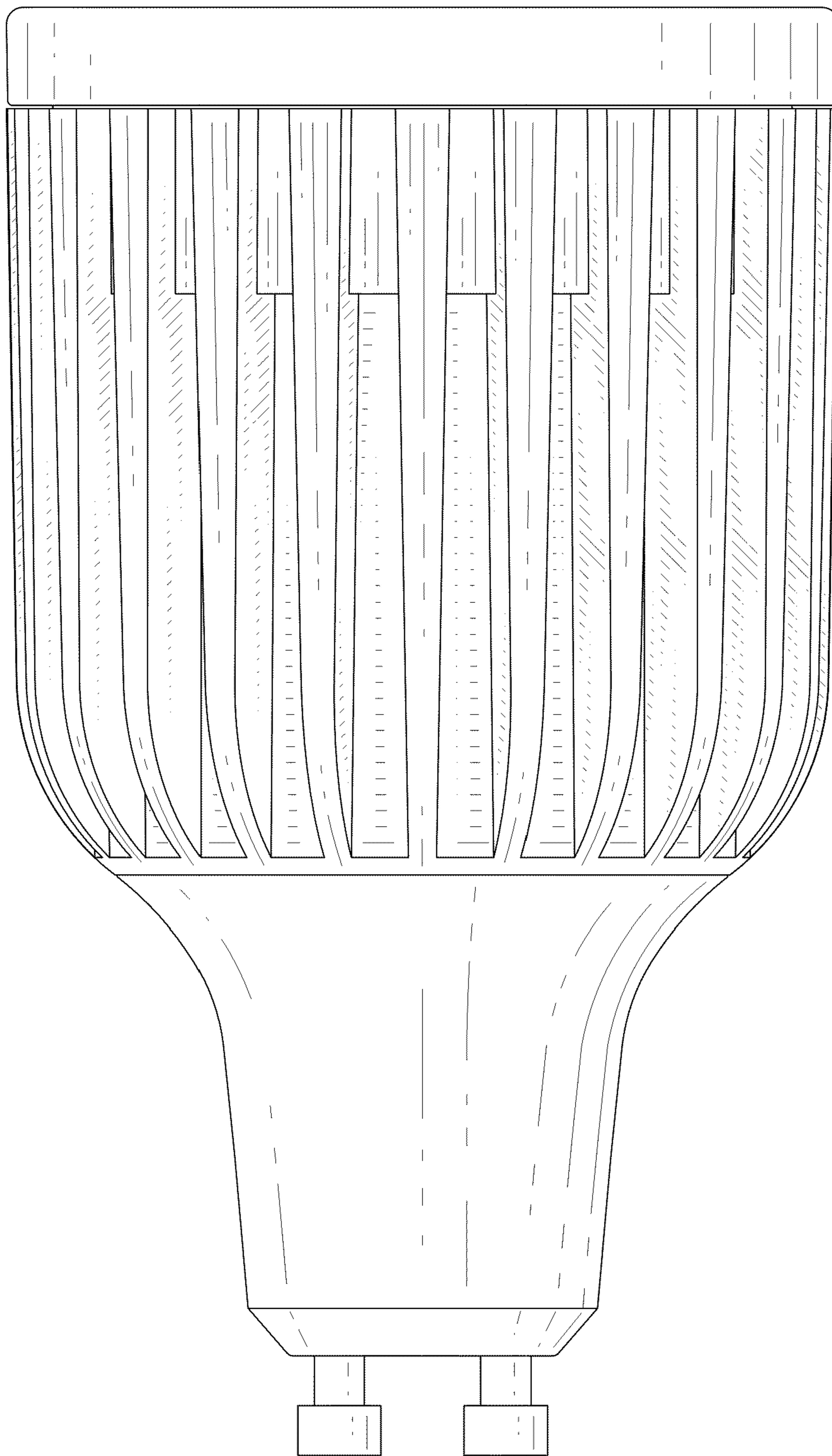


FIG. 4

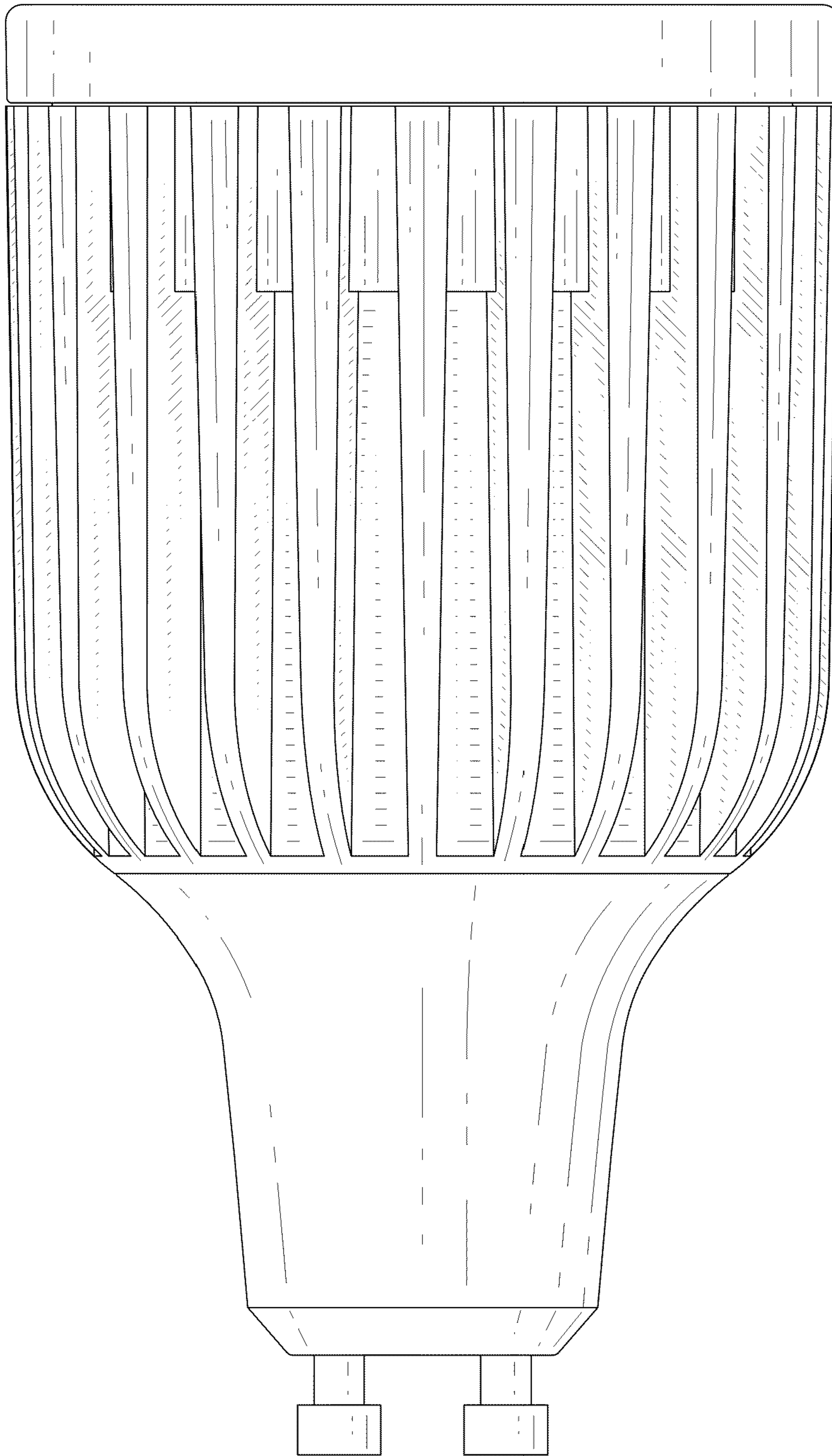


FIG. 5

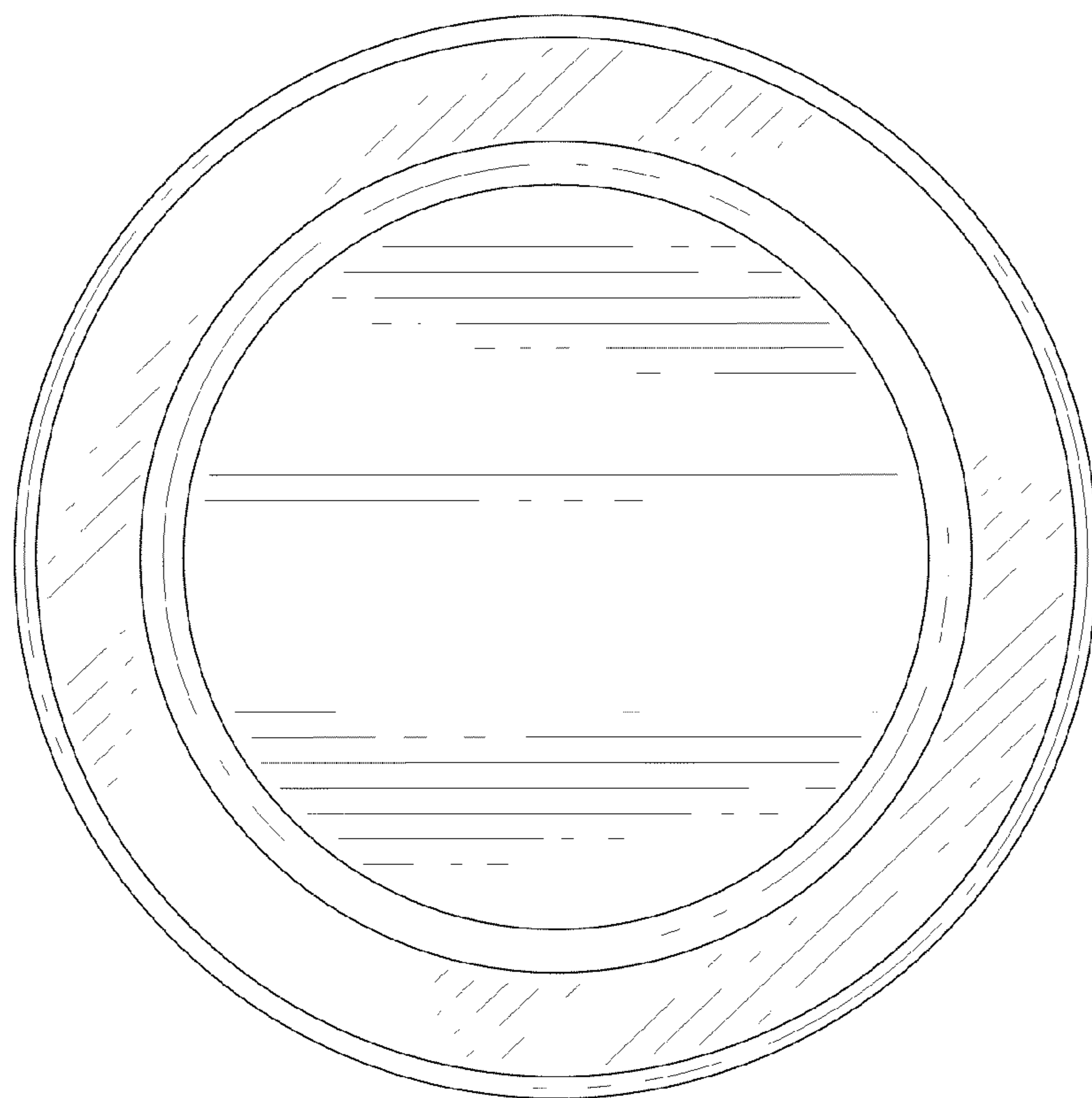


FIG. 6

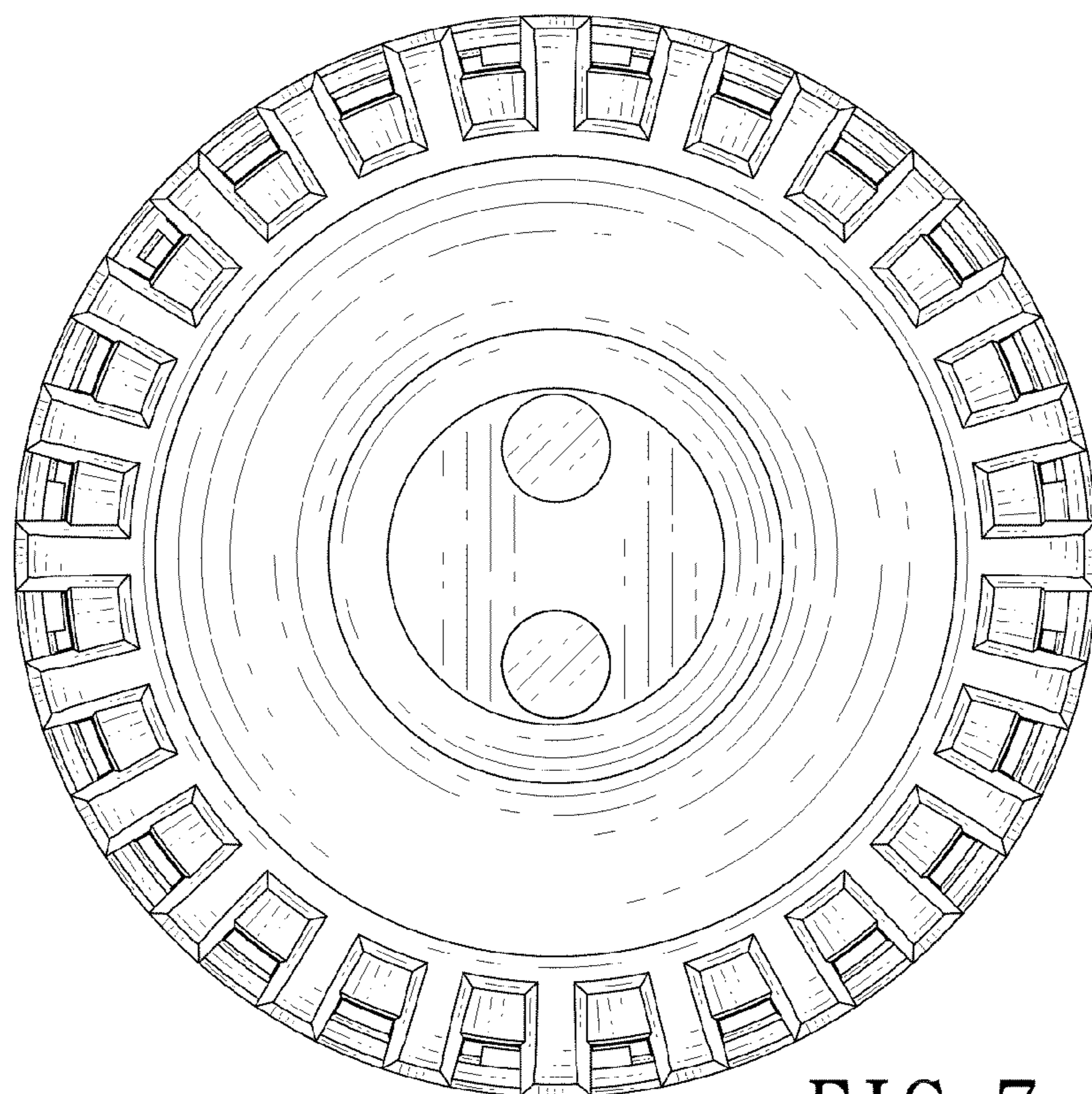


FIG. 7