



US00D647223S

(12) **United States Design Patent**
Katsaros

(10) **Patent No.:** **US D647,223 S**

(45) **Date of Patent:** **** Oct. 18, 2011**

(54) **ADJUSTABLE SOLAR LIGHT BULB**

Primary Examiner — Marcus Jackson

(76) **Inventor:** **Stephen Katsaros**, Denver, CO (US)

(74) *Attorney, Agent, or Firm* — Crossley Patent Law; Mark A. Crossley

(**) **Term:** **14 Years**

(57) **CLAIM**

(21) **Appl. No.:** **29/378,946**

The ornamental design for an adjustable solar light bulb, as shown and described.

(22) **Filed:** **Nov. 11, 2010**

DESCRIPTION

(51) **LOC (9) Cl.** **26-04**

(52) **U.S. Cl.** **D26/2**

(58) **Field of Classification Search** D26/1-4;
313/313, 315, 316, 317, 318, 493; 315/52,
315/53, 56, 57, 58

See application file for complete search history.

FIG. 1 is an isometric view of an adjustable solar light bulb showing my new design;
FIG. 2 is a front elevation view thereof;
FIG. 3 is a rear elevation view thereof;
FIG. 4 is a right elevation view thereof;
FIG. 5 is a left elevation view thereof;
FIG. 6 is a top plan view thereof;
FIG. 7 is a bottom pan view thereof;
FIG. 8 is a front elevation view of an alternate condition of the adjustable solar light bulb of FIG. 1; and,
FIG. 9 is a right elevation view of the alternate condition of FIG. 8.

(56) **References Cited**

U.S. PATENT DOCUMENTS

D535,038 S *	1/2007	Egawa et al.	D26/2
D623,778 S *	9/2010	Moon et al.	D26/2
D635,281 S *	3/2011	Murakami et al.	D26/2

* cited by examiner

1 Claim, 5 Drawing Sheets





FIG. 1

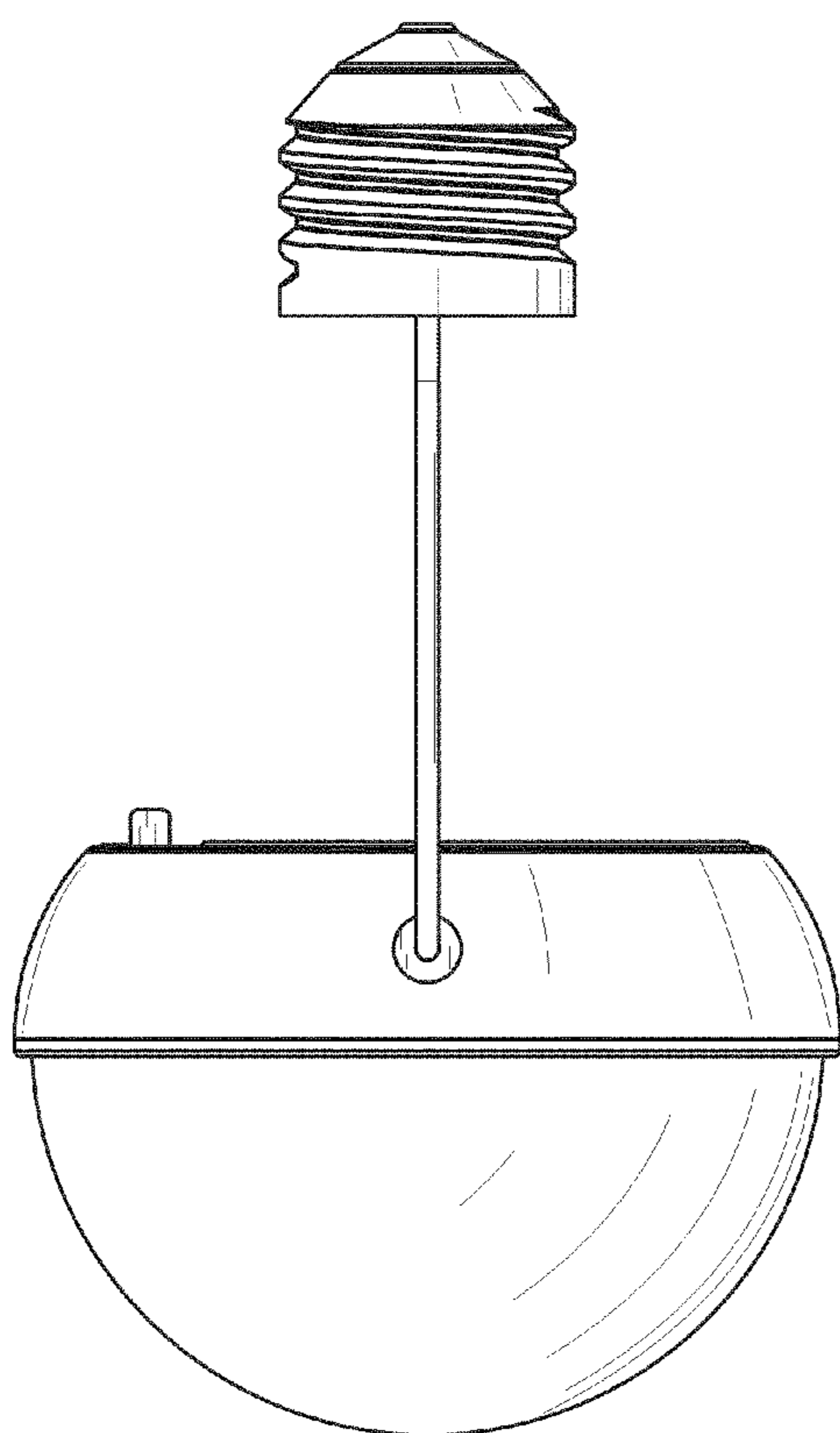


FIG. 2

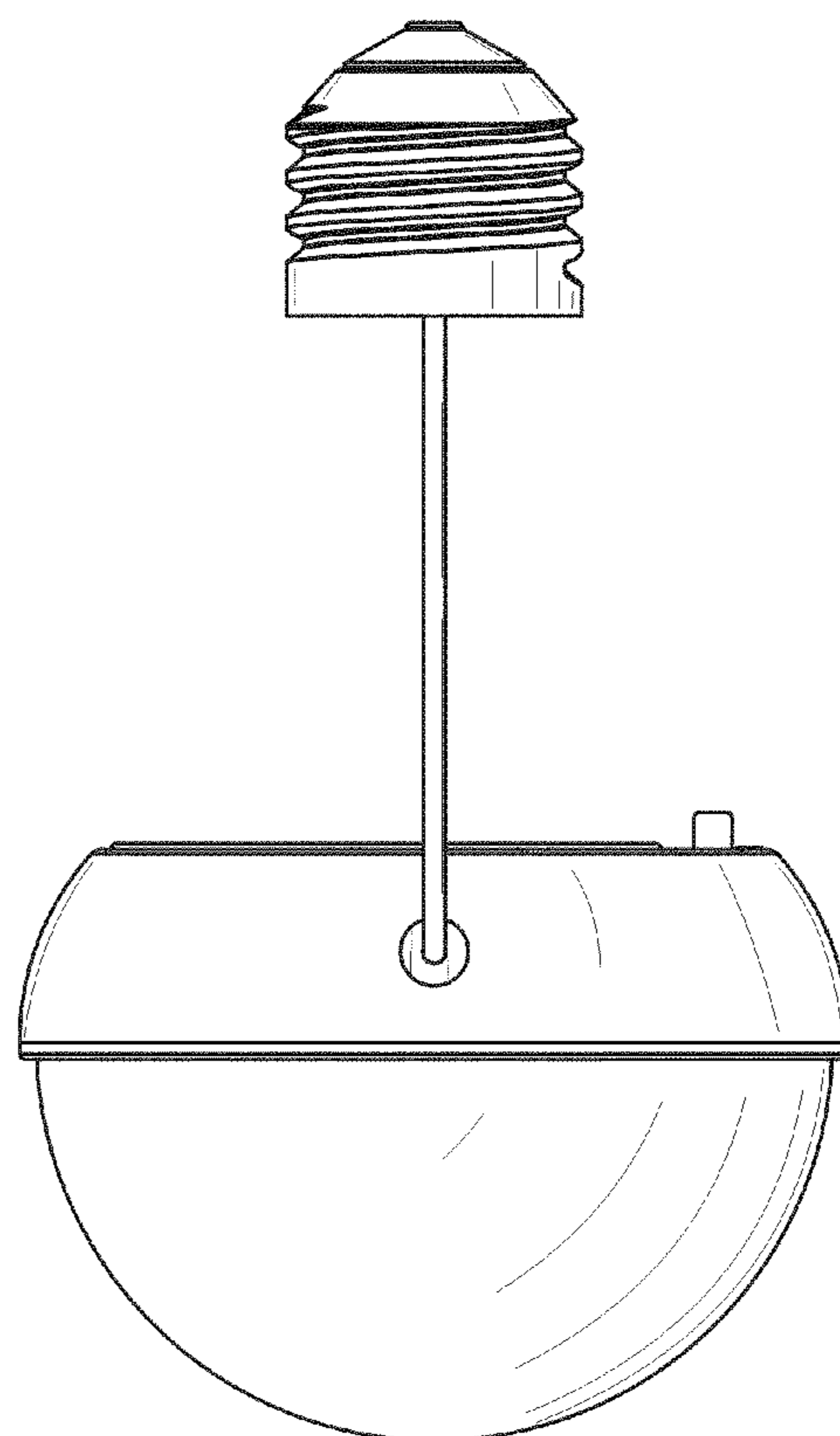


FIG. 3

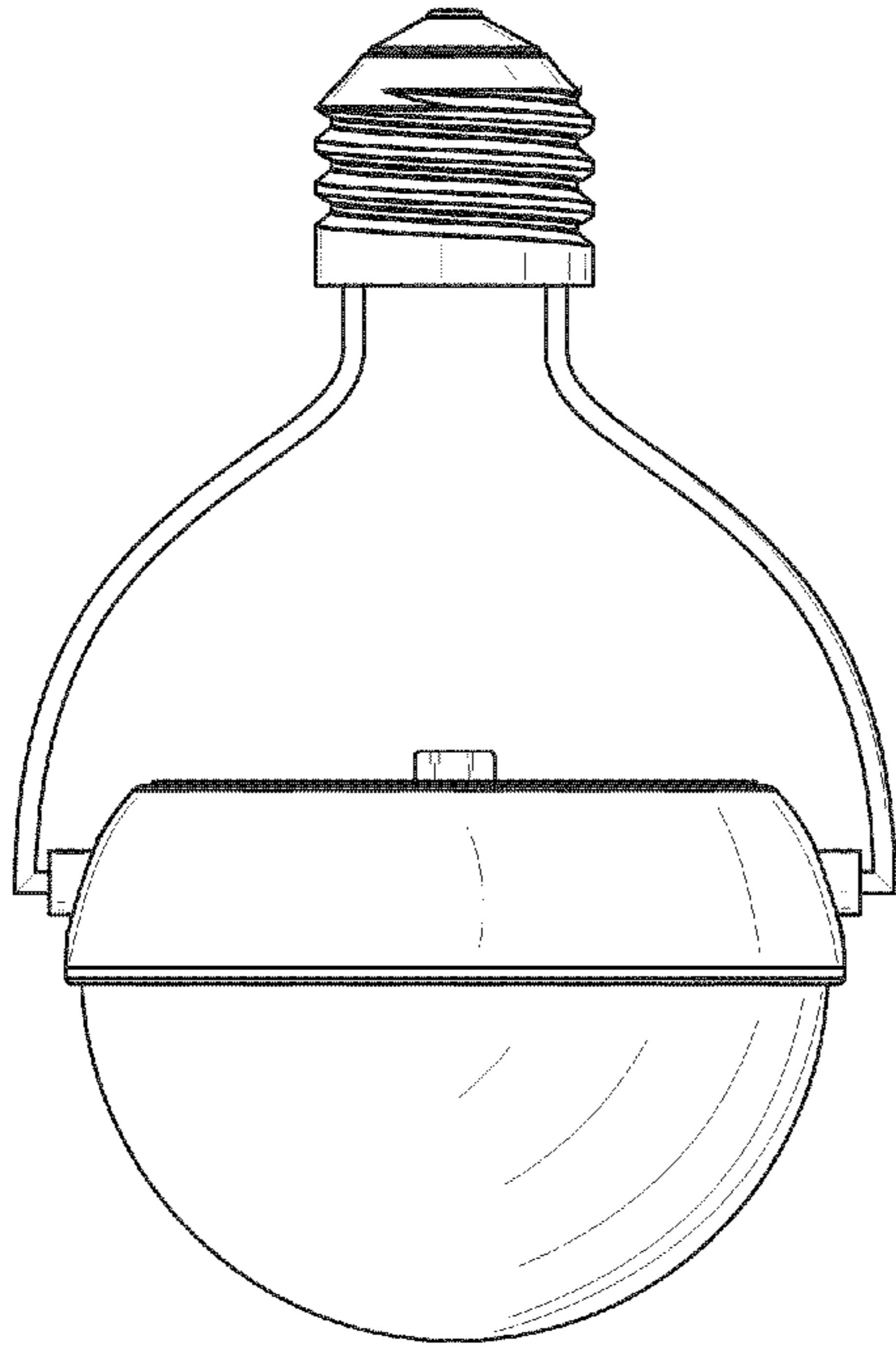


FIG. 4

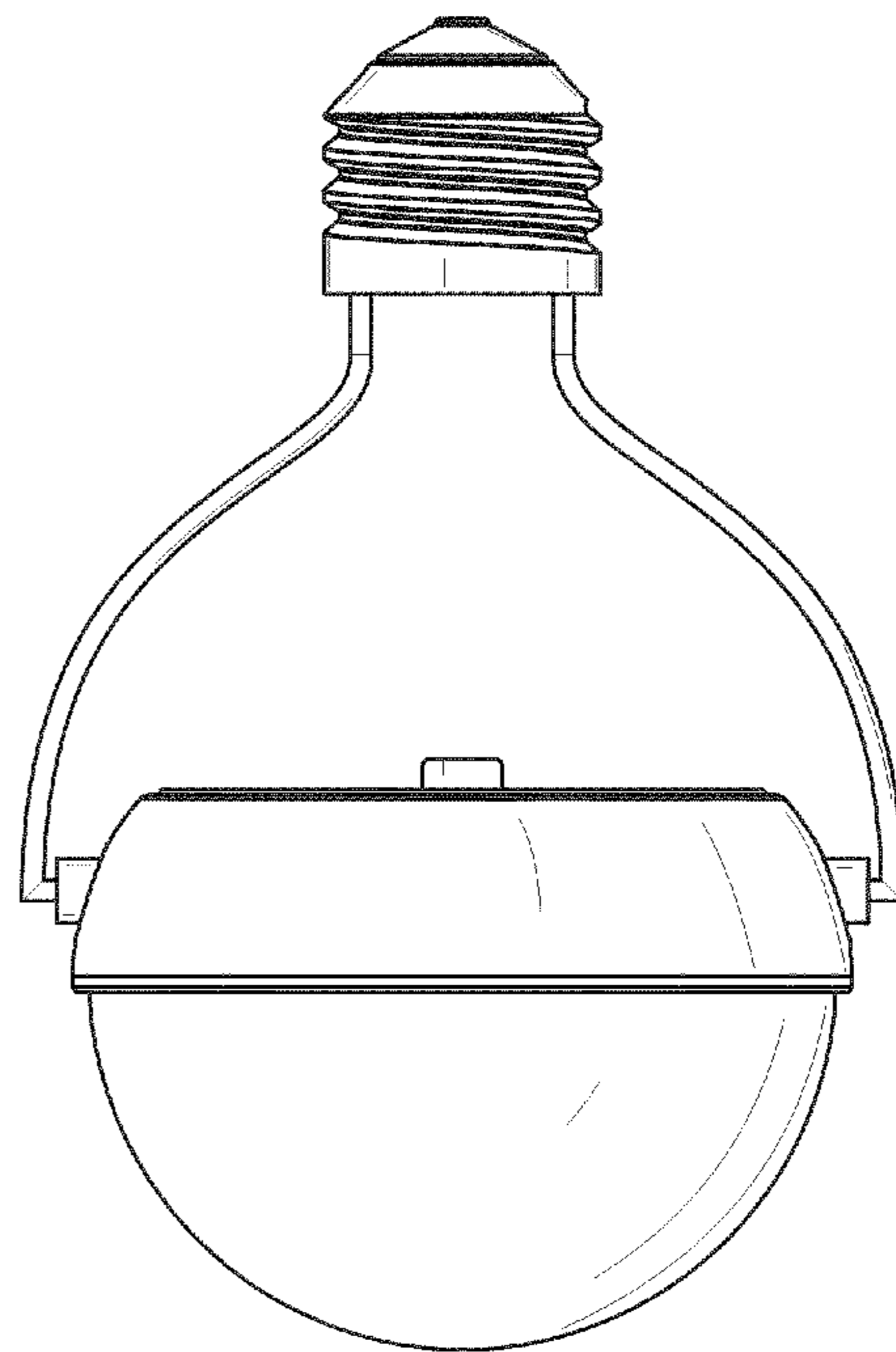


FIG. 5

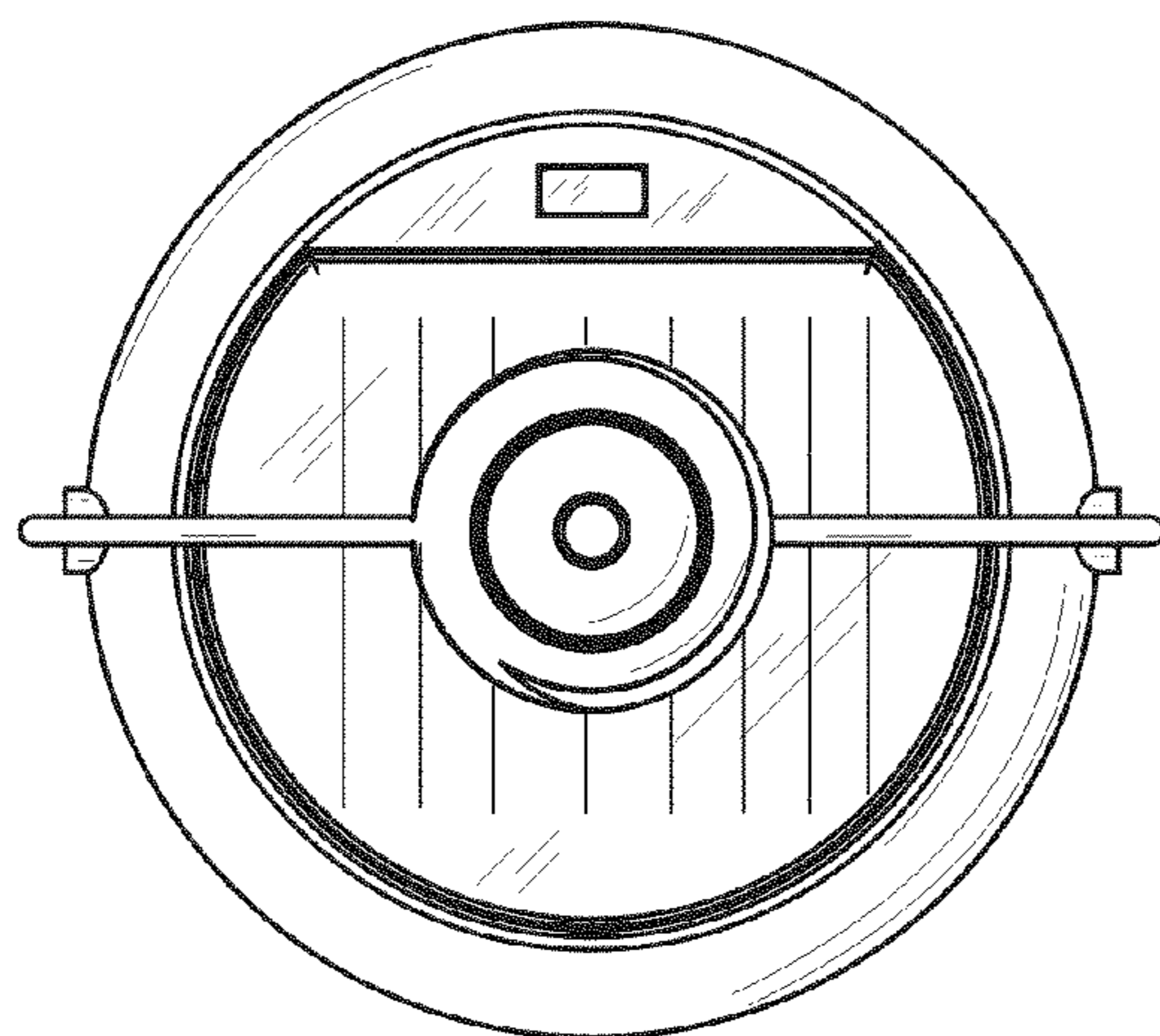


FIG. 6

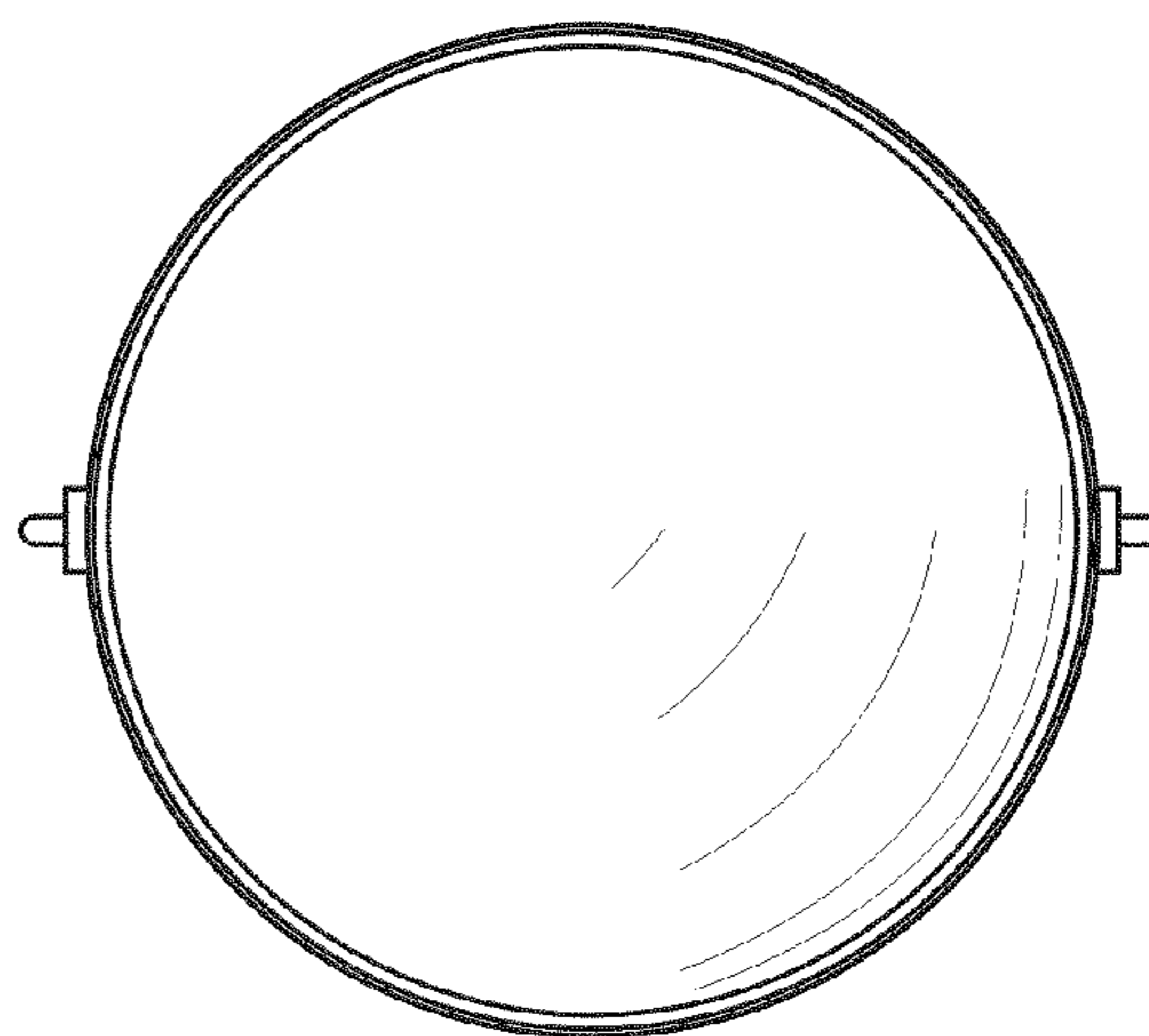


FIG. 7

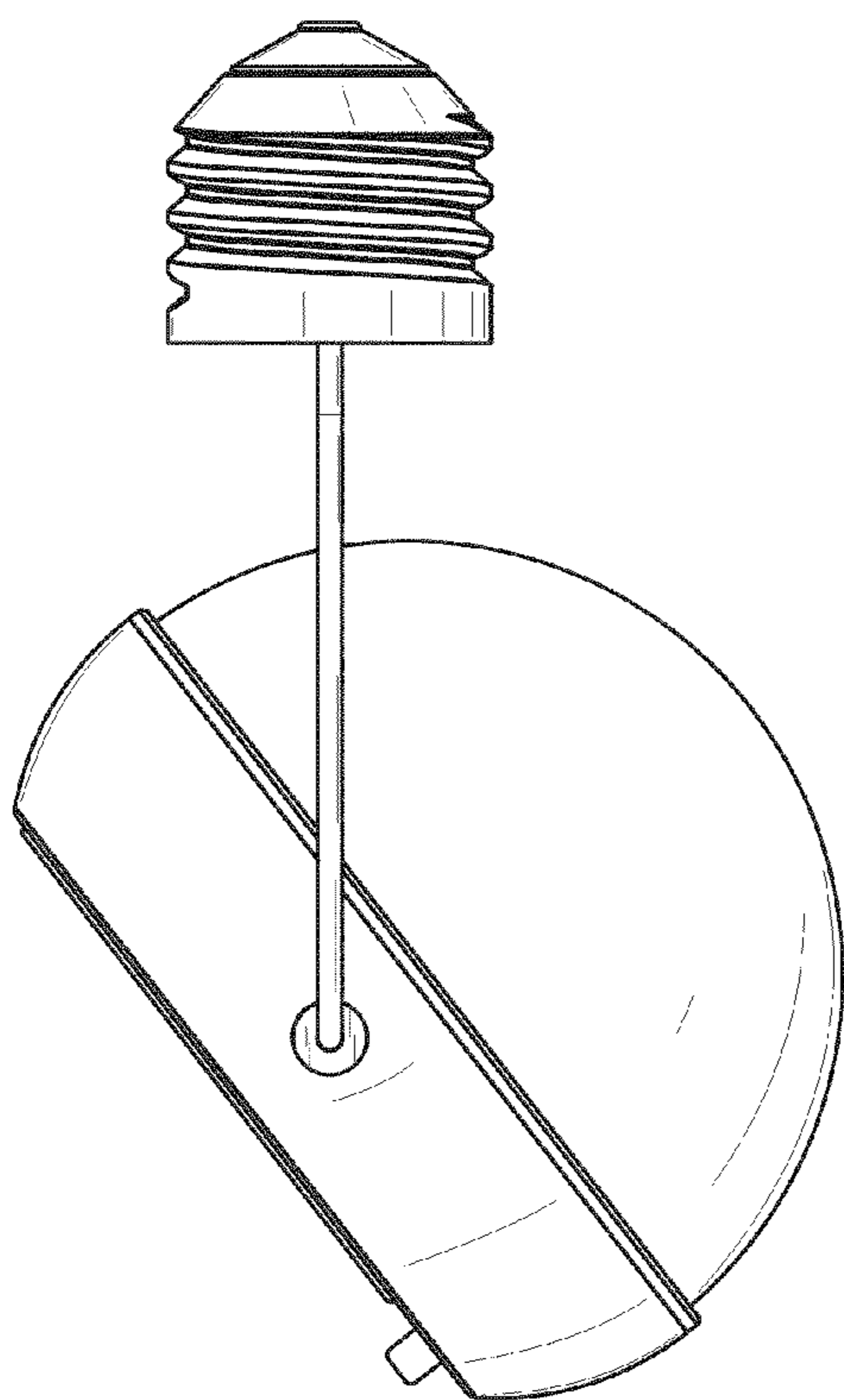


FIG. 8

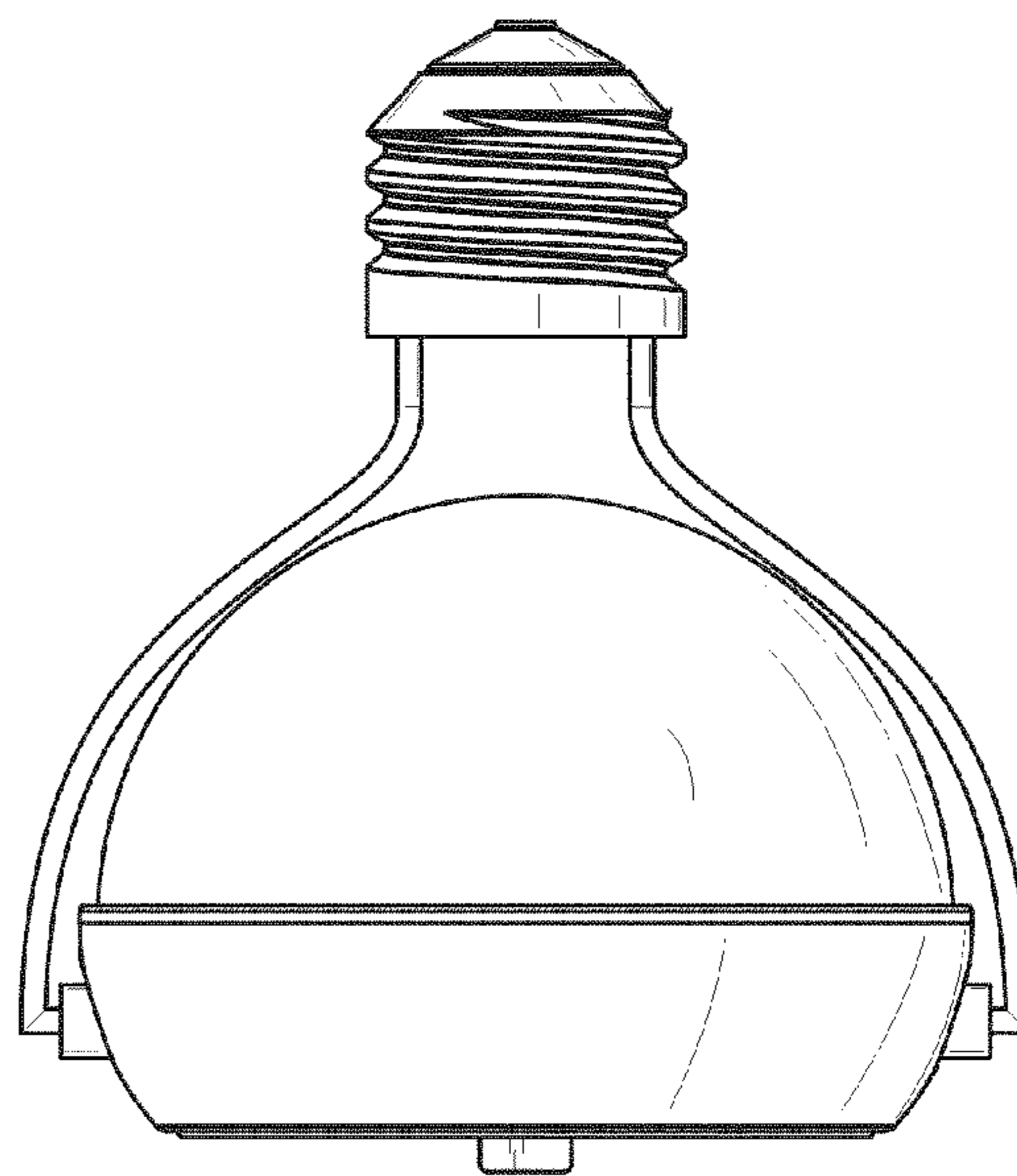


FIG. 9