



US00D647222S

(12) **United States Design Patent**
Le et al.

(10) **Patent No.:** **US D647,222 S**
(45) **Date of Patent:** **** Oct. 18, 2011**

(54) **LAMP**

(75) Inventors: **Long Larry Le**, Morrisville, NC (US);
Curt Progl, Raleigh, NC (US); **William L. Dungan**, Cary, NC (US)

(73) Assignee: **Cree, Inc.**, Durham, NC (US)

(**) Term: **14 Years**

(21) Appl. No.: **29/375,590**

(22) Filed: **Sep. 24, 2010**

(51) **LOC (9) Cl.** **26-04**

(52) **U.S. Cl.** **D26/2**

(58) **Field of Classification Search** D26/1-5;
313/313, 315, 316, 317, 318, 493; 315/52,
315/53, 56, 57, 58; 362/290, 294, 309; D13/180,
D13/110

See application file for complete search history.

(56) **References Cited**

U.S. PATENT DOCUMENTS

D538,951	S	*	3/2007	Maxik et al.	D26/2
D546,980	S	*	7/2007	Lo	D26/2
D560,286	S	*	1/2008	Maxik et al.	D26/2
D570,504	S	*	6/2008	Maxik et al.	D26/2
D570,505	S	*	6/2008	Maxik et al.	D26/2
D581,556	S	*	11/2008	To et al.	D26/2
D581,583	S	*	11/2008	Peng	D26/135
D597,704	S	*	8/2009	Peng	D26/118
D600,850	S	*	9/2009	Maxik et al.	D26/113
D613,887	S	*	4/2010	Lee et al.	D26/2
D617,475	S	*	6/2010	Hiraga et al.	D26/2
D623,774	S	*	9/2010	Tsai	D26/2
D623,776	S	*	9/2010	Moon et al.	D26/2
D624,669	S	*	9/2010	Tsai	D26/2
D627,491	S	*	11/2010	Wang et al.	D26/2
D629,534	S	*	12/2010	Song	D26/2
D629,926	S	*	12/2010	Chen et al.	D26/2
D629,927	S	*	12/2010	Chen et al.	D26/2
D630,776	S	*	1/2011	Wang et al.	D26/2
D634,031	S	*	3/2011	de Visser et al.	D26/2

D634,452	S	*	3/2011	de Visser	D26/2
D636,902	S	*	4/2011	Pei et al.	D26/2
2005/0174780	A1	*	8/2005	Park	362/294
2010/0026158	A1	*	2/2010	Wu	313/46
2010/0091487	A1	*	4/2010	Shin	362/235
2010/0164348	A1	*	7/2010	Huang et al.	313/46

* cited by examiner

Primary Examiner — Jeffrey D Asch

(74) *Attorney, Agent, or Firm* — Steven B. Philips; Moore & Van Allen PLLC

(57) **CLAIM**

We claim the ornamental design for a lamp, as shown and described.

DESCRIPTION

FIG. 1 is a side view showing a first embodiment of our new design for a lamp. Only one side view is shown since all sides are the same.

FIG. 2 is a top view of the first embodiment of our new design shown in FIG. 1.

FIG. 3 is a bottom view of the first embodiment of our new design shown in FIG. 1.

FIG. 4 is a perspective view of the first embodiment of our new design as shown in FIG. 1.

FIG. 5 is a side view showing a second embodiment of our new design for a lamp. Only one side view is shown since all sides are the same.

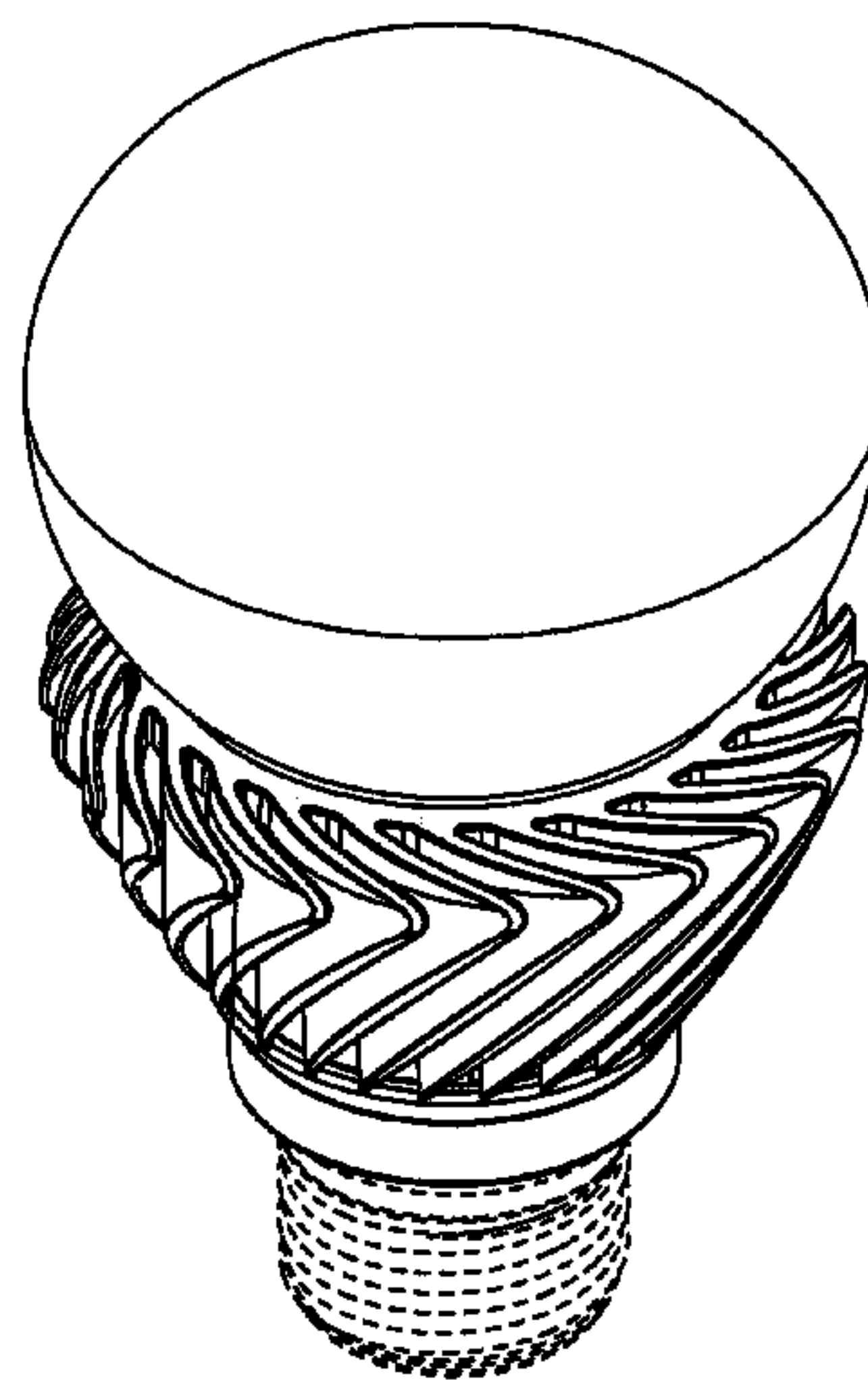
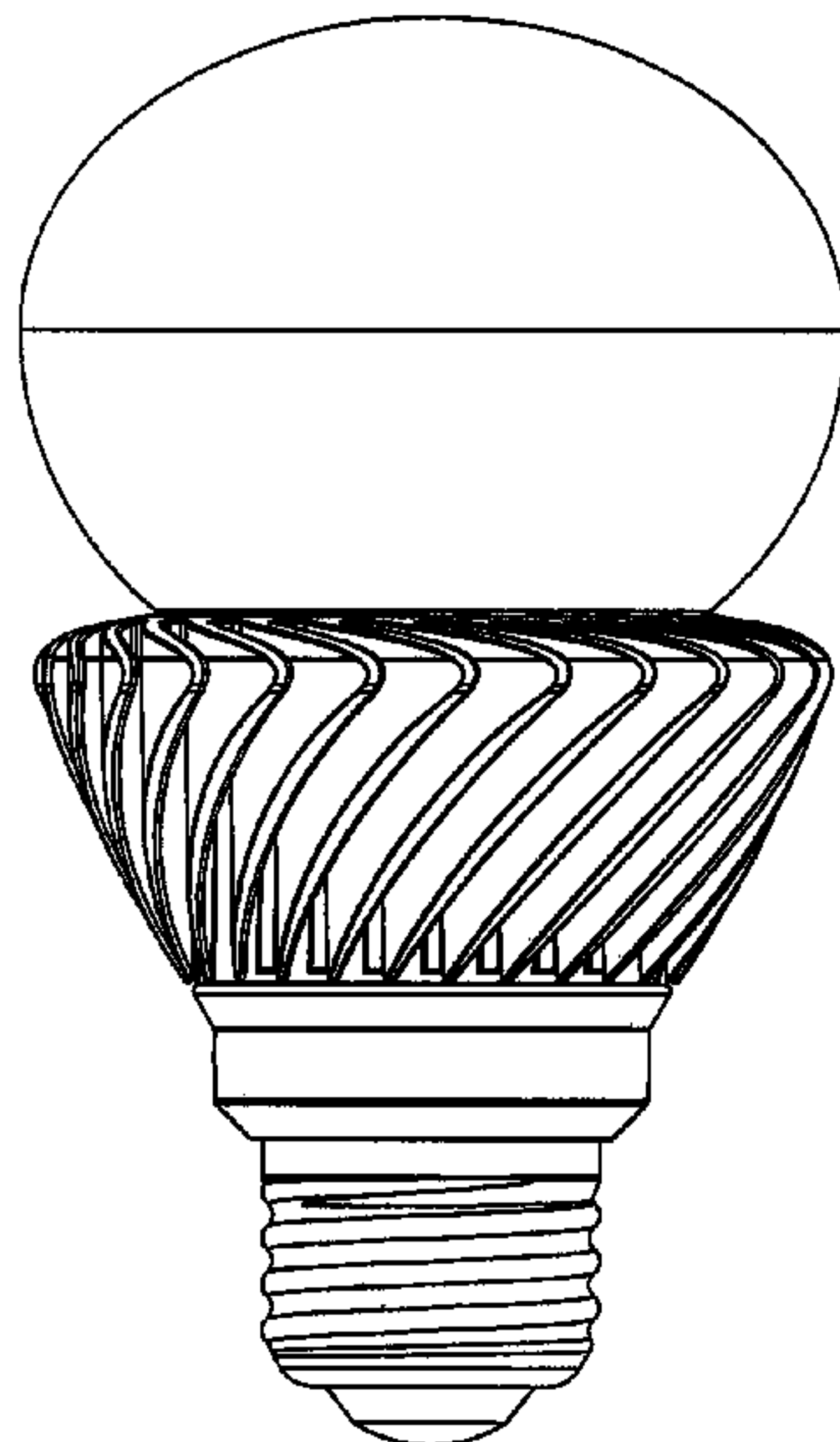
FIG. 6 is a top view of the second embodiment of our new design shown in FIG. 5.

FIG. 7 is a bottom view of the second embodiment of our new design shown in FIG. 5; and,

FIG. 8 is a perspective view of the second embodiment of our new design as shown in FIG. 5.

The broken line showing of threads on the lamp base in the second embodiment is directed to environment and is for illustrative purposes only. The broken lines form no part of the embodiment in which they are shown.

1 Claim, 6 Drawing Sheets



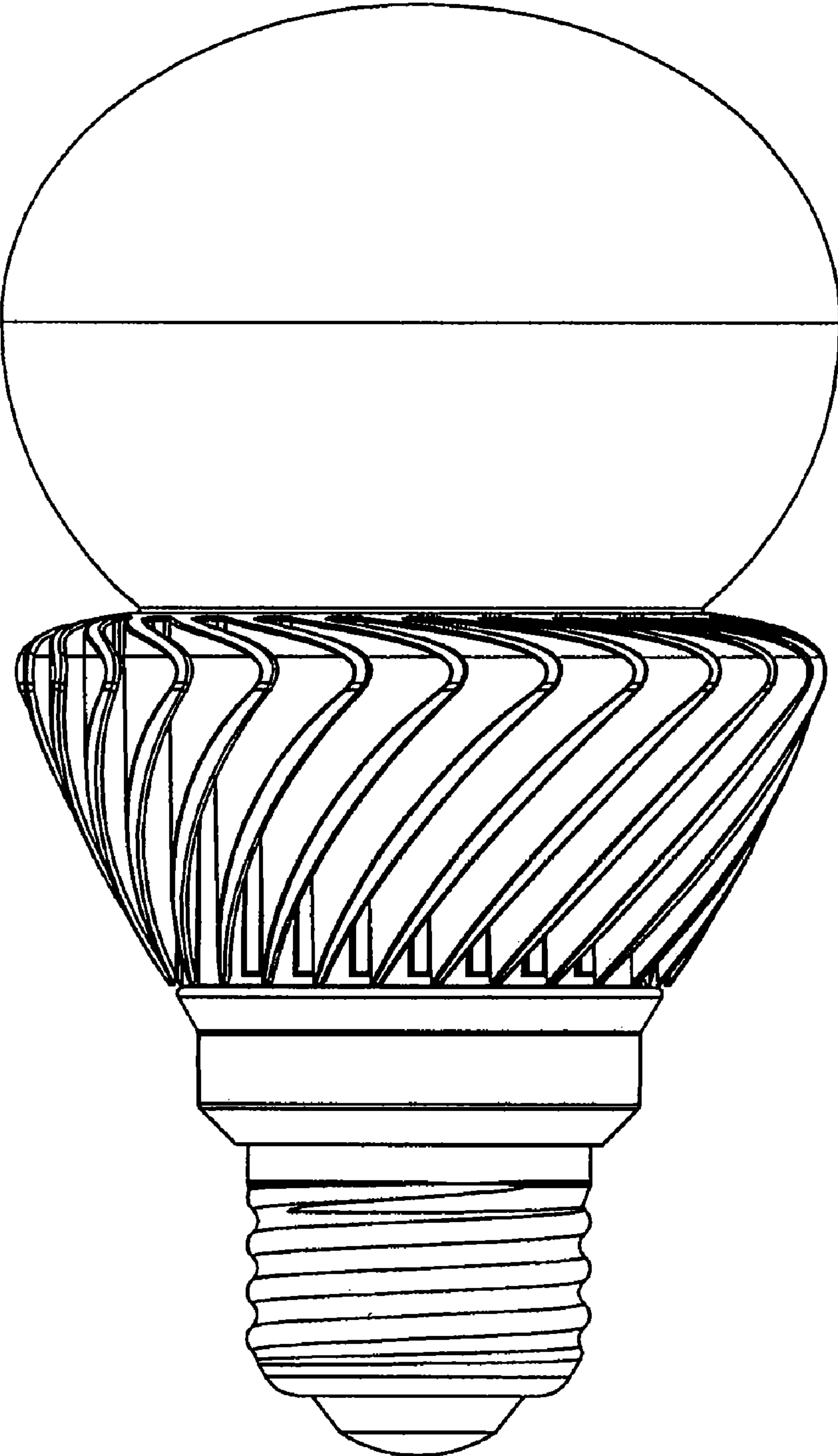


FIG. 1

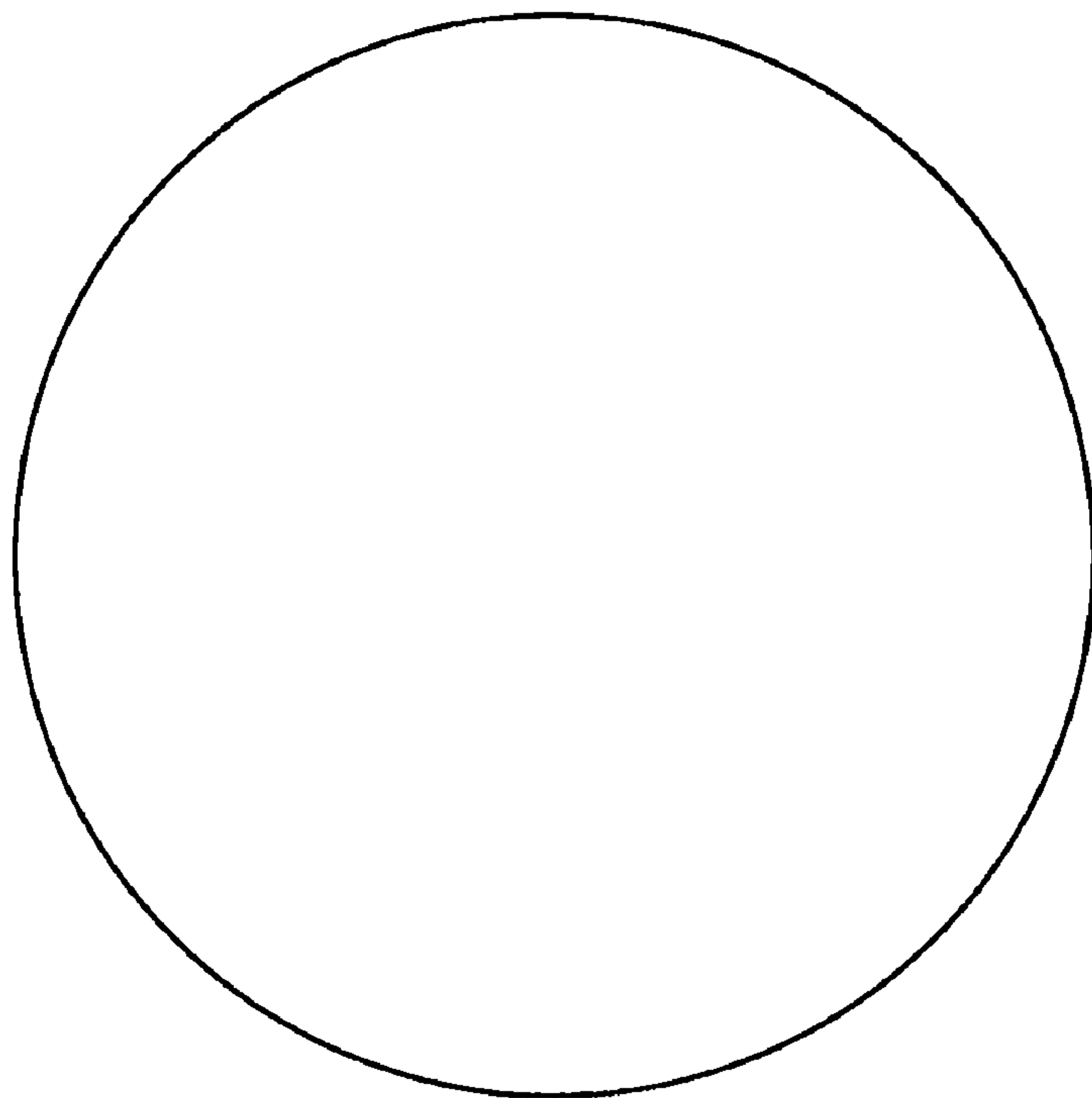


FIG. 2

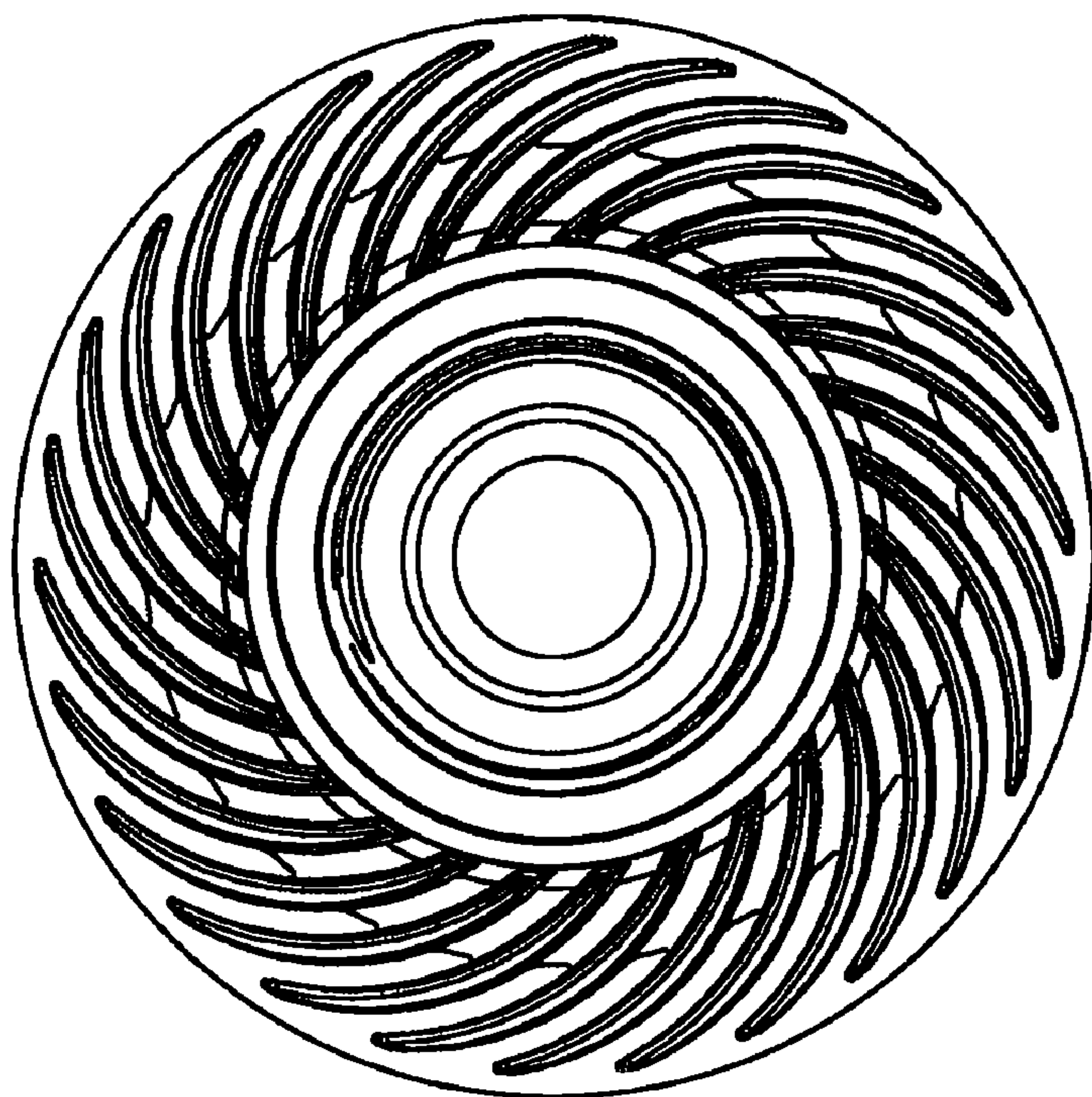


FIG. 3

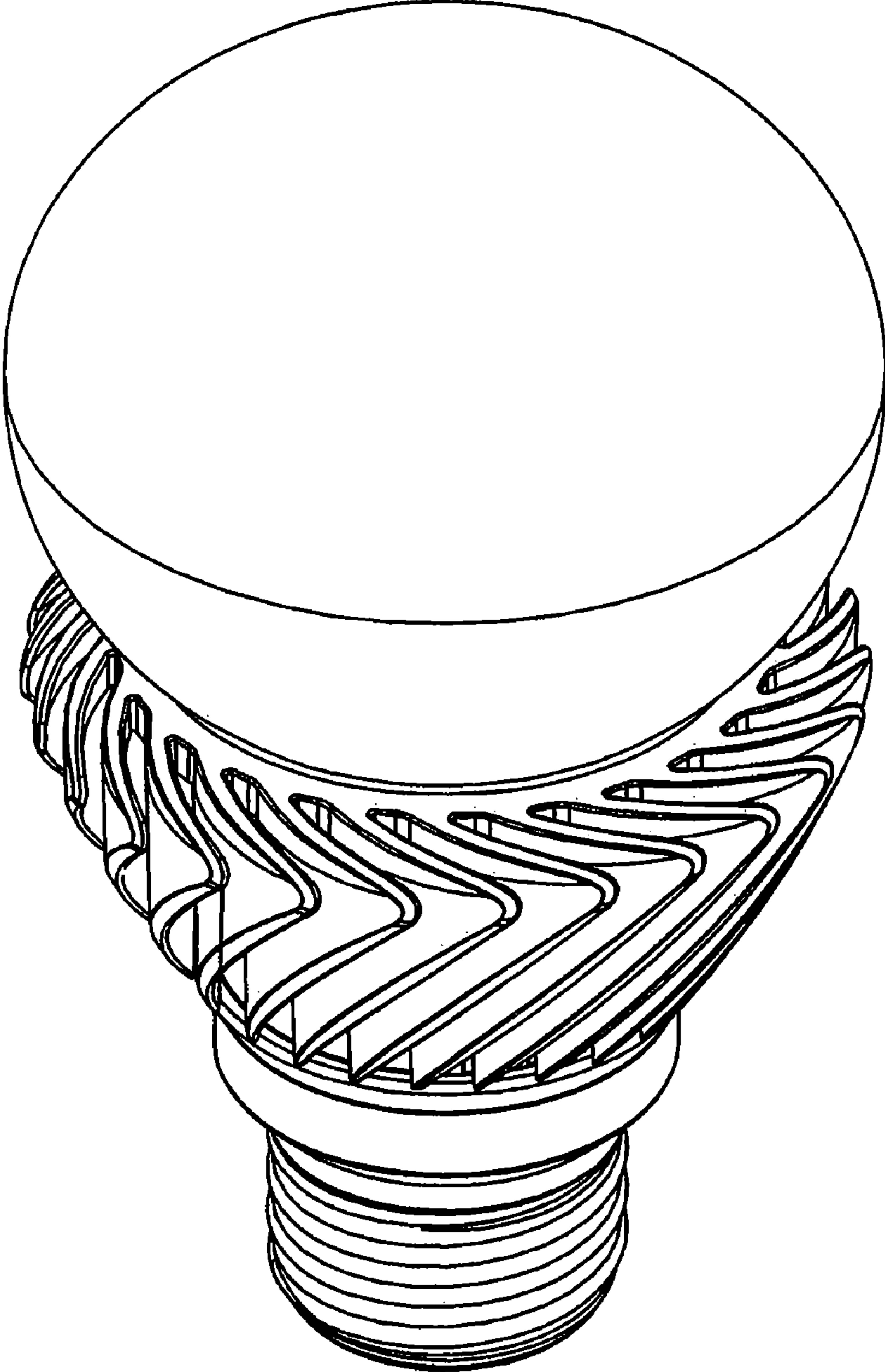


FIG. 4

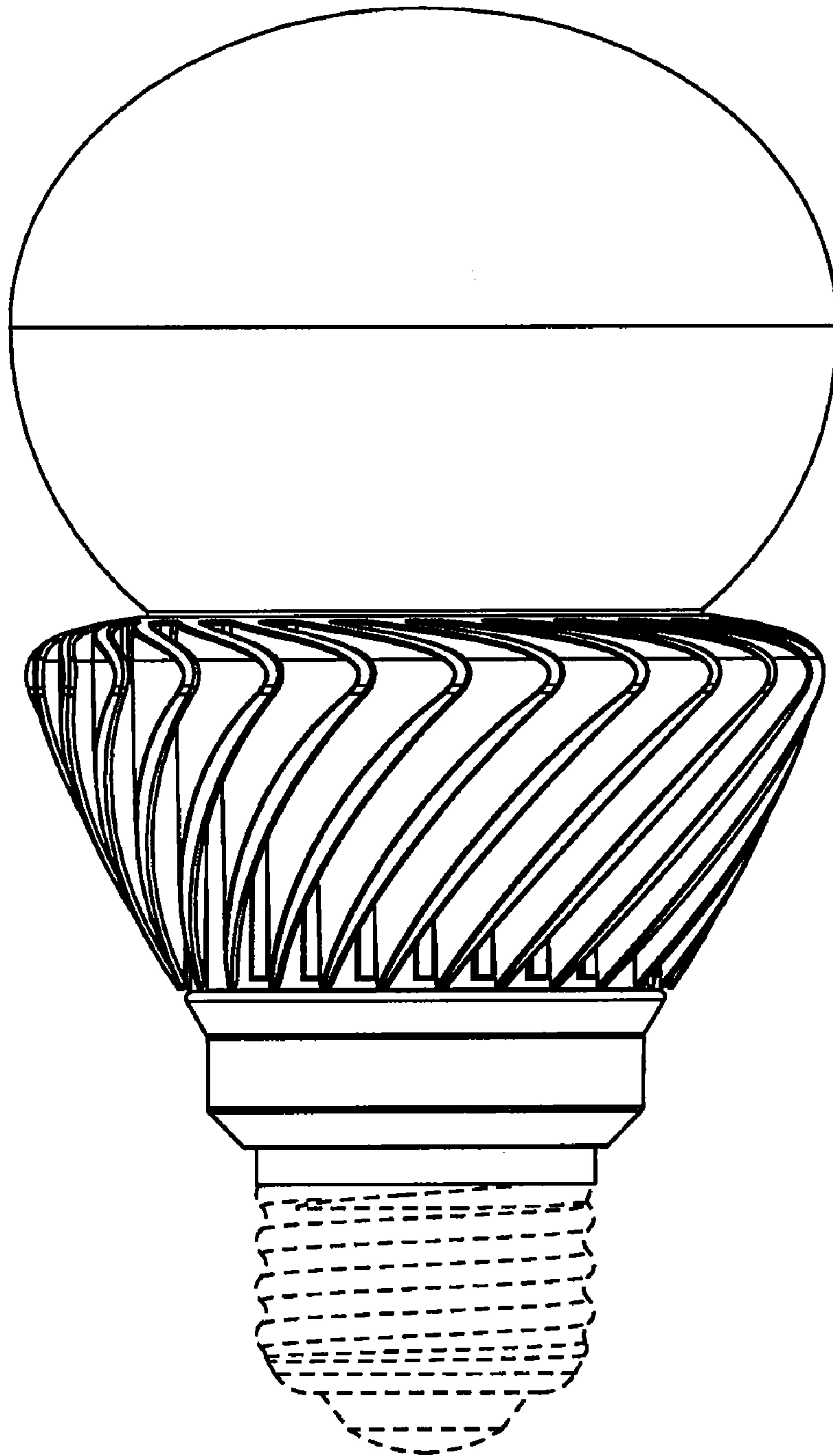


FIG. 5

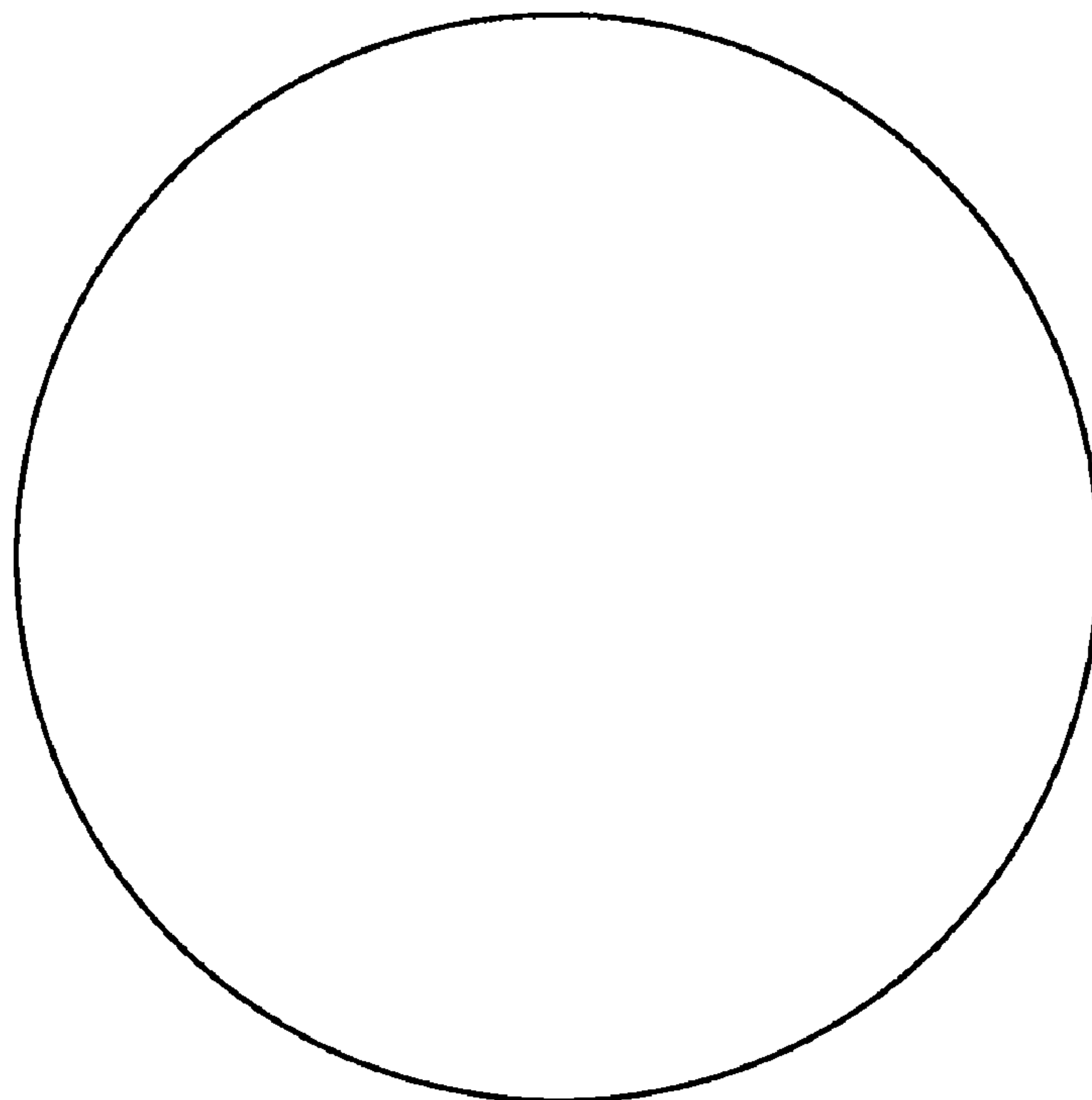


FIG. 6

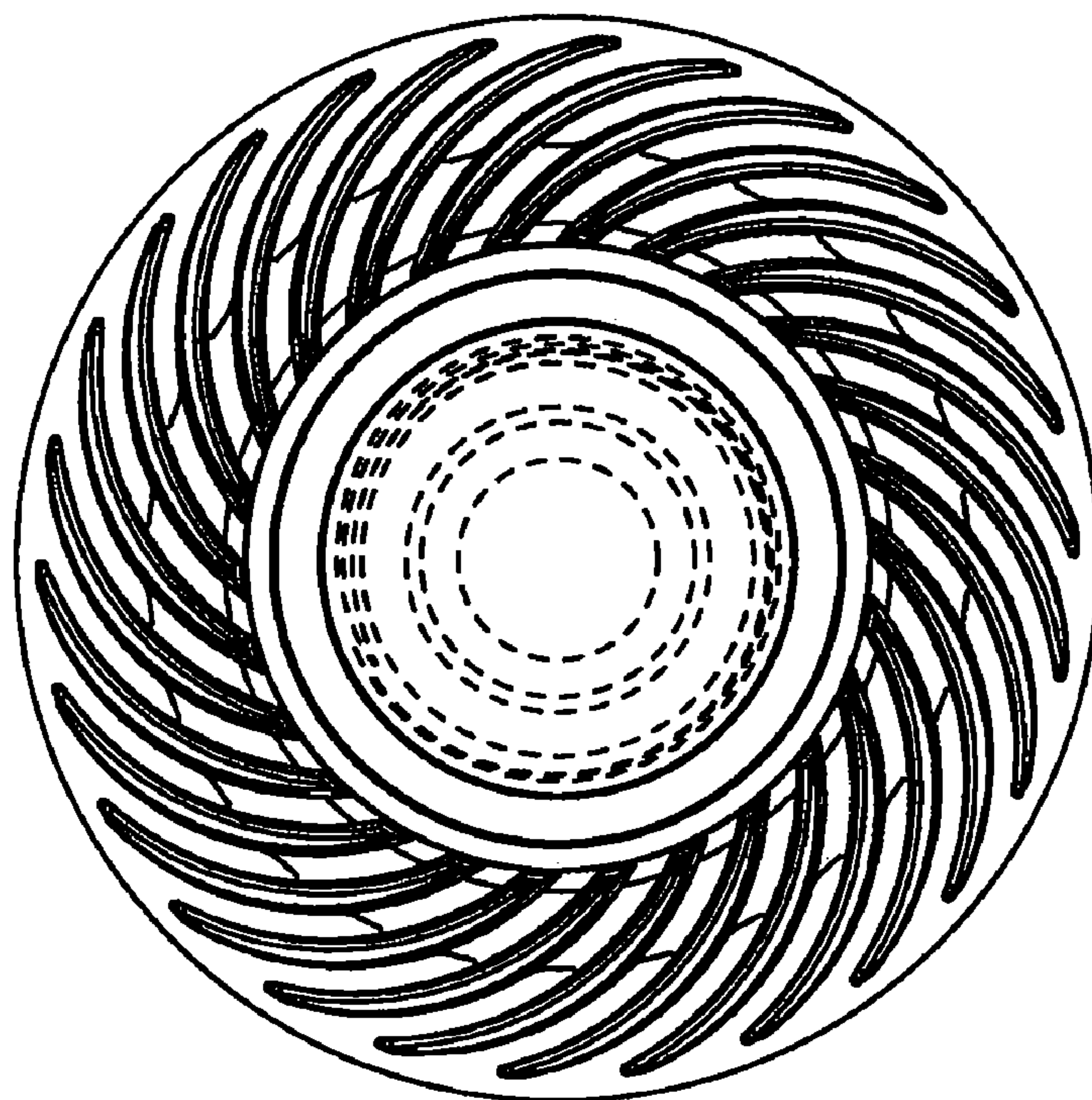


FIG. 7

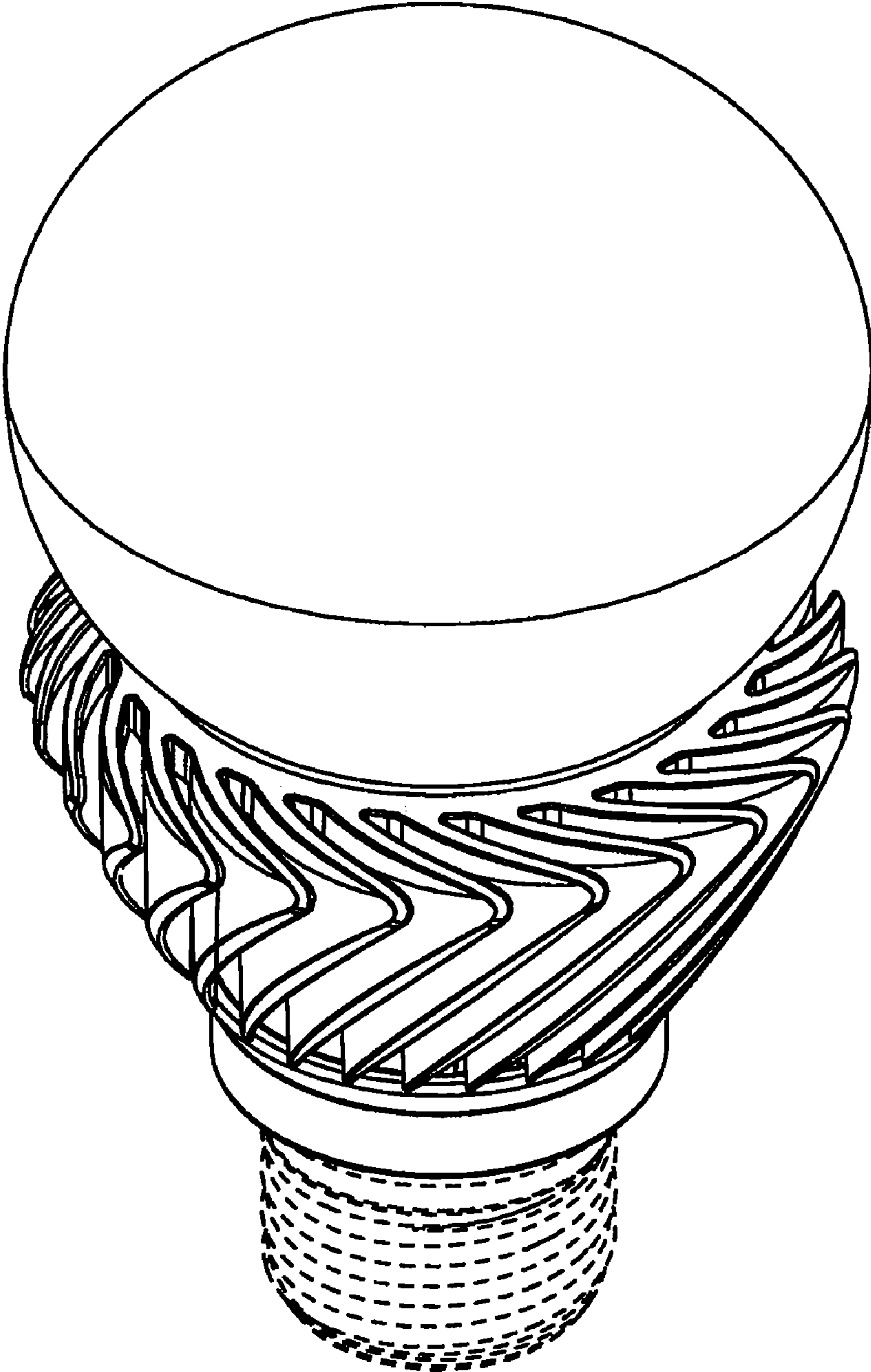


FIG. 8