



US00D647219S

(12) **United States Design Patent**
MacDonald

(10) **Patent No.:** **US D647,219 S**
(45) **Date of Patent:** **** Oct. 18, 2011**

(54) **LANDSCAPING BLOCK**
(75) Inventor: **Robert A. MacDonald**, Plymouth, MN
(US)
(73) Assignee: **Keystone Retaining Wall Systems, Inc.**,
Bloomington, MN (US)

(**) Term: **14 Years**
(21) Appl. No.: **29/386,365**

(22) Filed: **Feb. 28, 2011**

(51) **LOC (9) Cl.** **25-01**
(52) **U.S. Cl.** **D25/113**
(58) **Field of Classification Search** D25/102,
D25/112-118, 136, 138, 151, 152, 158, 162,
D25/164, 199; D21/484-491, 499-504;
405/16, 284, 286; 52/503-505, 574, 575,
52/596-612, 102; 404/27-42; 47/33; D8/1
See application file for complete search history.

(56) **References Cited**

U.S. PATENT DOCUMENTS

1,385,299	A *	7/1921	Bilque	52/98
D319,885	S	9/1991	Blomquist et al.		
D321,060	S	10/1991	Blomquist et al.		
5,161,918	A	11/1992	Hodel		
D341,215	S	11/1993	Blomquist et al.		
D346,667	S	5/1994	Blomquist et al.		
D347,070	S *	5/1994	Anderson et al.	D25/114
D352,789	S	11/1994	Adam		
5,568,994	A	10/1996	Dawson		
5,595,460	A	1/1997	Miller et al.		
5,601,384	A	2/1997	Dawson		
5,619,835	A	4/1997	Bailey, II et al.		
D381,086	S	7/1997	Forsberg		
D384,168	S	9/1997	Stevenson		
D387,434	S	12/1997	Dawson		
D397,230	S	8/1998	Forsberg		
5,865,006	A	2/1999	Dawson		
5,913,790	A	6/1999	Dawson		
5,984,589	A	11/1999	Ciccarello		

6,019,550	A	2/2000	Wrigley et al.		
6,035,599	A	3/2000	Sonnentag		
6,149,352	A	11/2000	MacDonald		
D452,332	S *	12/2001	Blomquist et al.	D25/113
D458,387	S	6/2002	Blomquist et al.		
6,488,448	B1	12/2002	Blomquist et al.		
6,536,994	B2	3/2003	Race		
6,615,561	B2	9/2003	MacDonald et al.		
6,637,981	B2 *	10/2003	MacDonald	405/284
6,821,058	B1	11/2004	Dawson		
D501,935	S	2/2005	Dawson et al.		
6,854,231	B2	2/2005	MacDonald et al.		
7,096,634	B2	8/2006	Dean, Jr.		
7,168,892	B1	1/2007	MacDonald et al.		
7,244,079	B1	7/2007	Blomquist et al.		

(Continued)

OTHER PUBLICATIONS

U.S. Appl. No. 13/039,924, filed Mar. 3, 2011 (62 pages).

(Continued)

Primary Examiner — Anhdao Doan

(74) Attorney, Agent, or Firm — Popovich, Wiles & O'Connell, P.A.

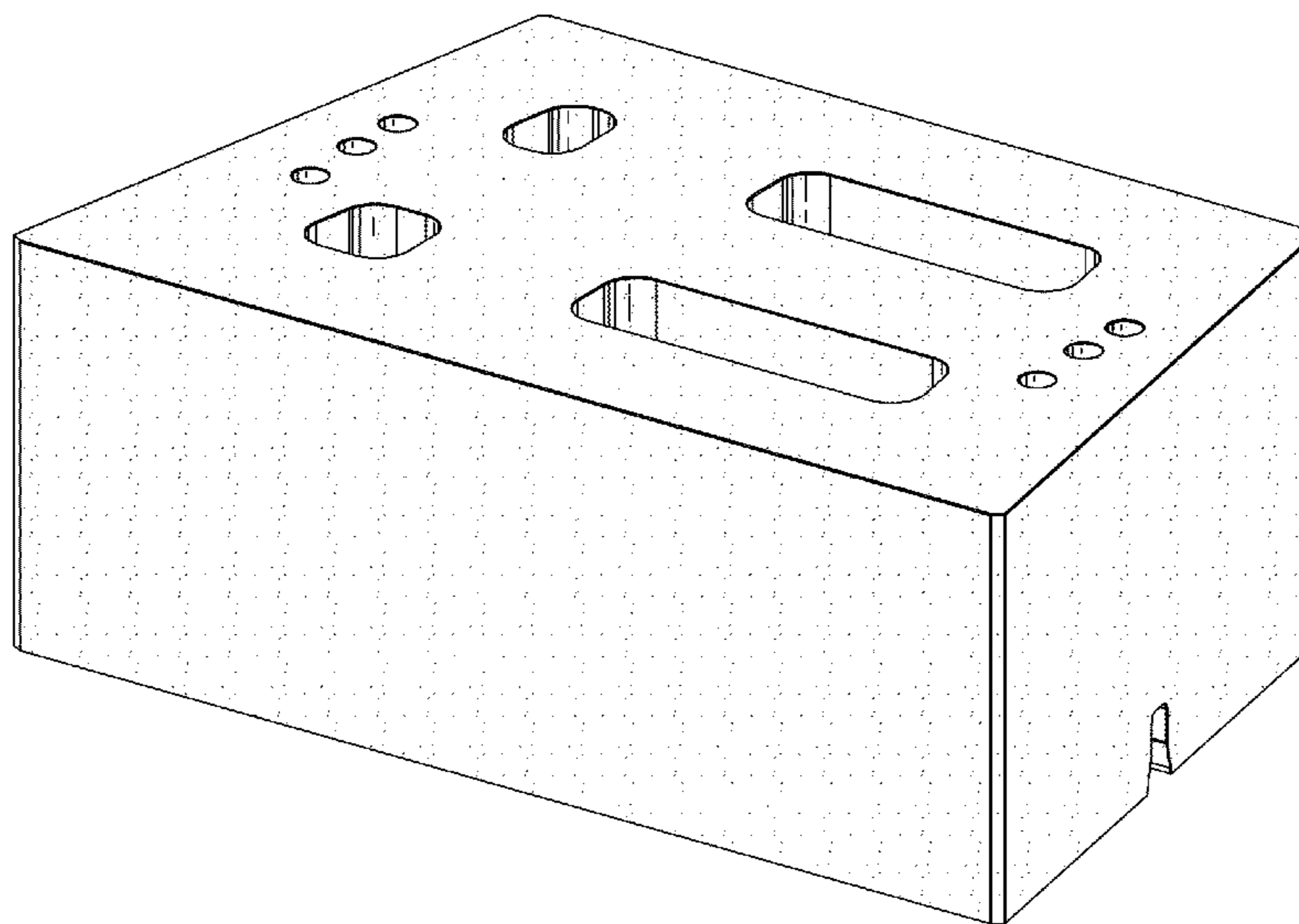
(57) **CLAIM**

The ornamental design for a landscaping block, as shown and described.

DESCRIPTION

FIG. 1 is a top and front perspective view of a landscaping block according to my new design;
FIG. 2 is a bottom and rear perspective view thereof;
FIG. 3 is a bottom plan view thereof;
FIG. 4 is a top plan view thereof;
FIG. 5 is a left side elevational view thereof, the right side elevational view being a mirror image;
FIG. 6 is a front elevational view thereof; and,
FIG. 7 is a rear elevational view thereof.

1 Claim, 7 Drawing Sheets



US D647,219 S

Page 2

U.S. PATENT DOCUMENTS

7,328,537 B2 2/2008 Hammer
D610,710 S 2/2010 LaCroix et al.
D615,669 S 5/2010 Caggiano
D620,135 S 7/2010 Adam
D621,070 S 8/2010 MacDonald et al.
2002/0001509 A1* 1/2002 Hong 405/286
2005/0102949 A1* 5/2005 Whitson 52/596
2006/0110223 A1 5/2006 Dawson et al.
2008/0277561 A1 11/2008 MacDonald
2008/0289282 A1 11/2008 MacDonald

2008/0307740 A1 12/2008 MacDonald
2009/0120029 A1 5/2009 LaCroix et al.
2009/0188196 A1 7/2009 MacDonald
2009/0308015 A1 12/2009 MacDonald et al.
2011/0072753 A1 3/2011 MacDonald

OTHER PUBLICATIONS

U.S. Appl. No. 13/037,685, filed Mar. 1, 2011 (59 pages).
U.S. Appl. No. 29/366,124, filed Jul. 20, 2010 (59 pages).

* cited by examiner

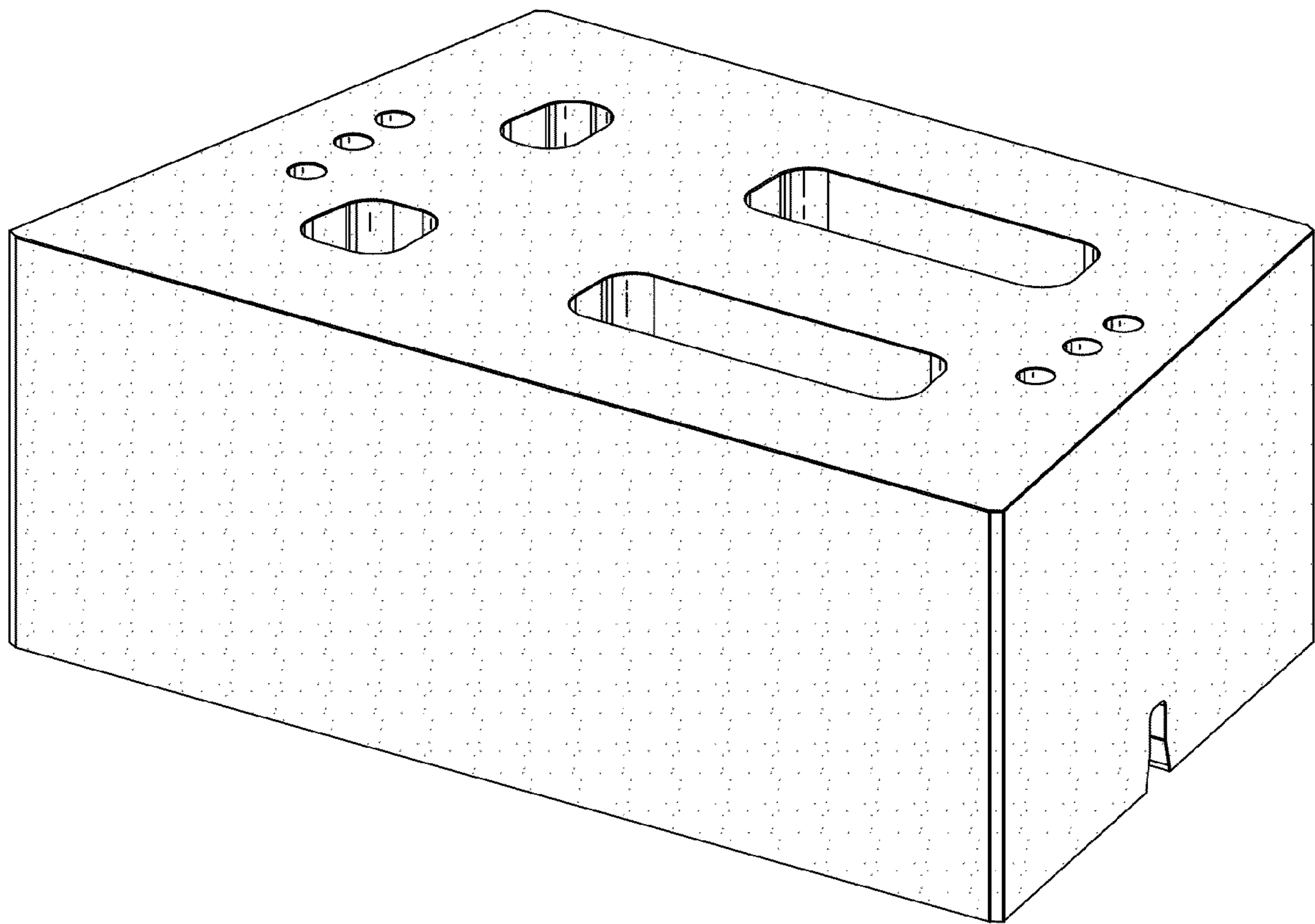


Fig. 1

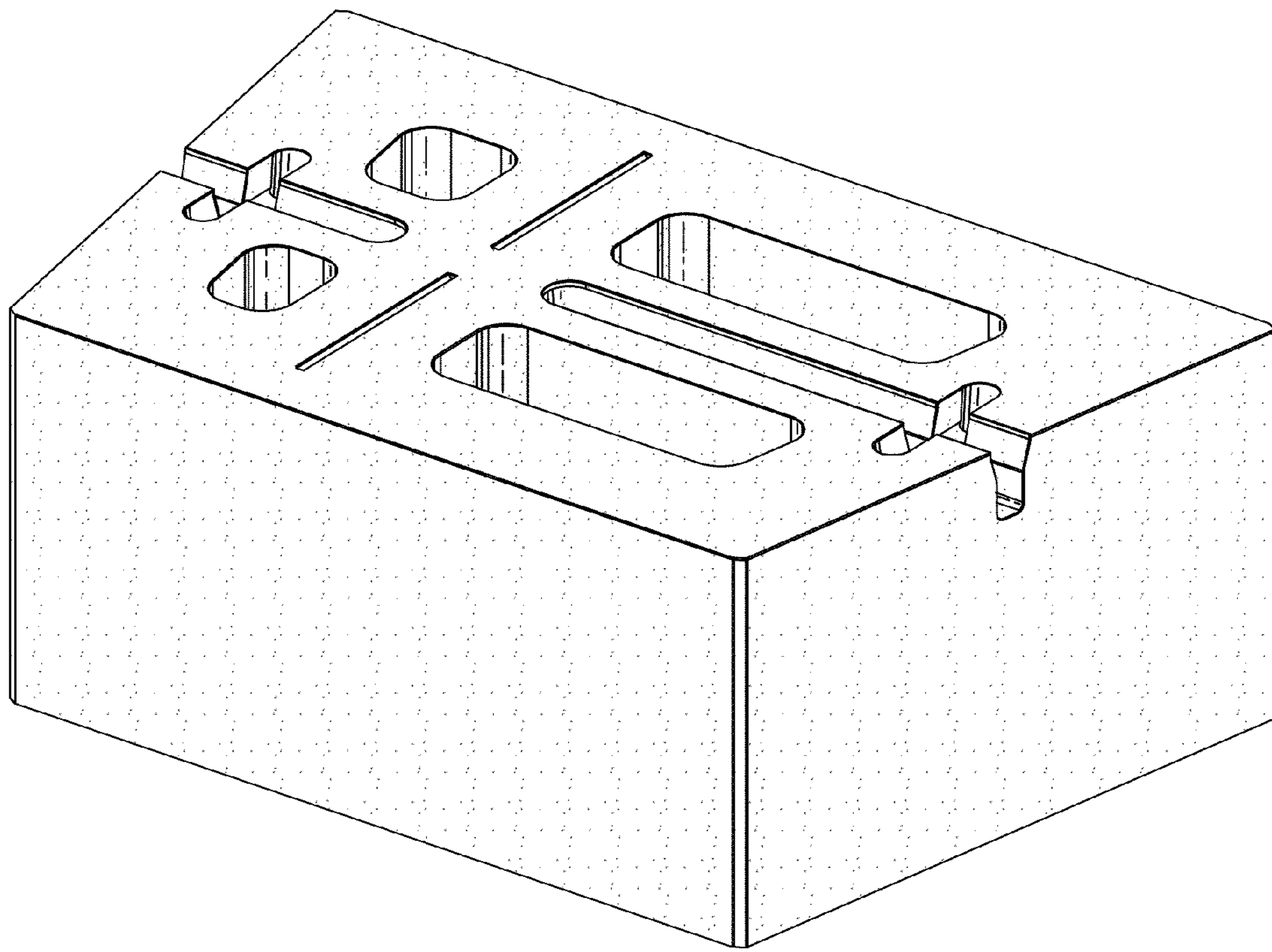


Fig. 2

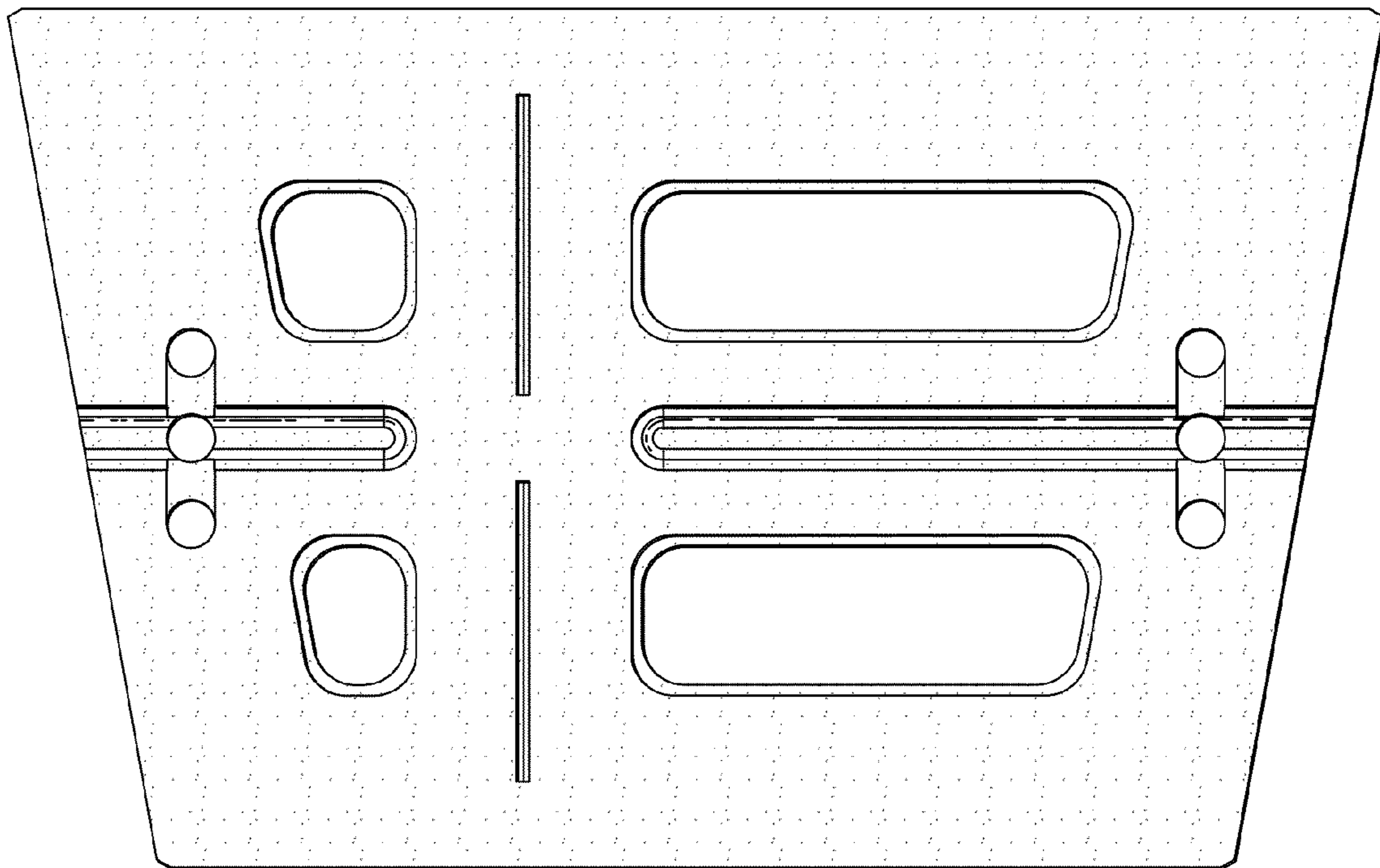


Fig. 3

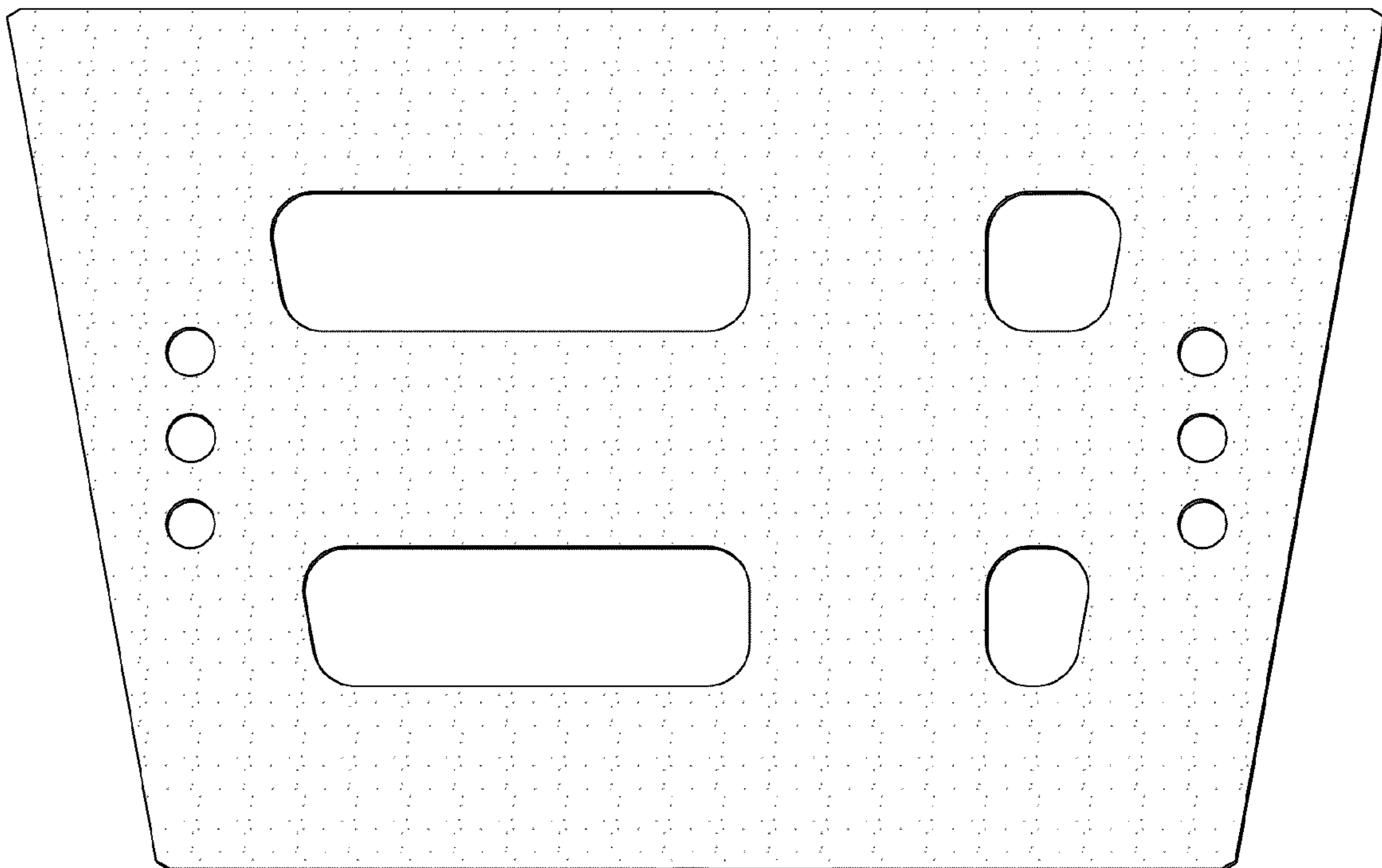


Fig. 4

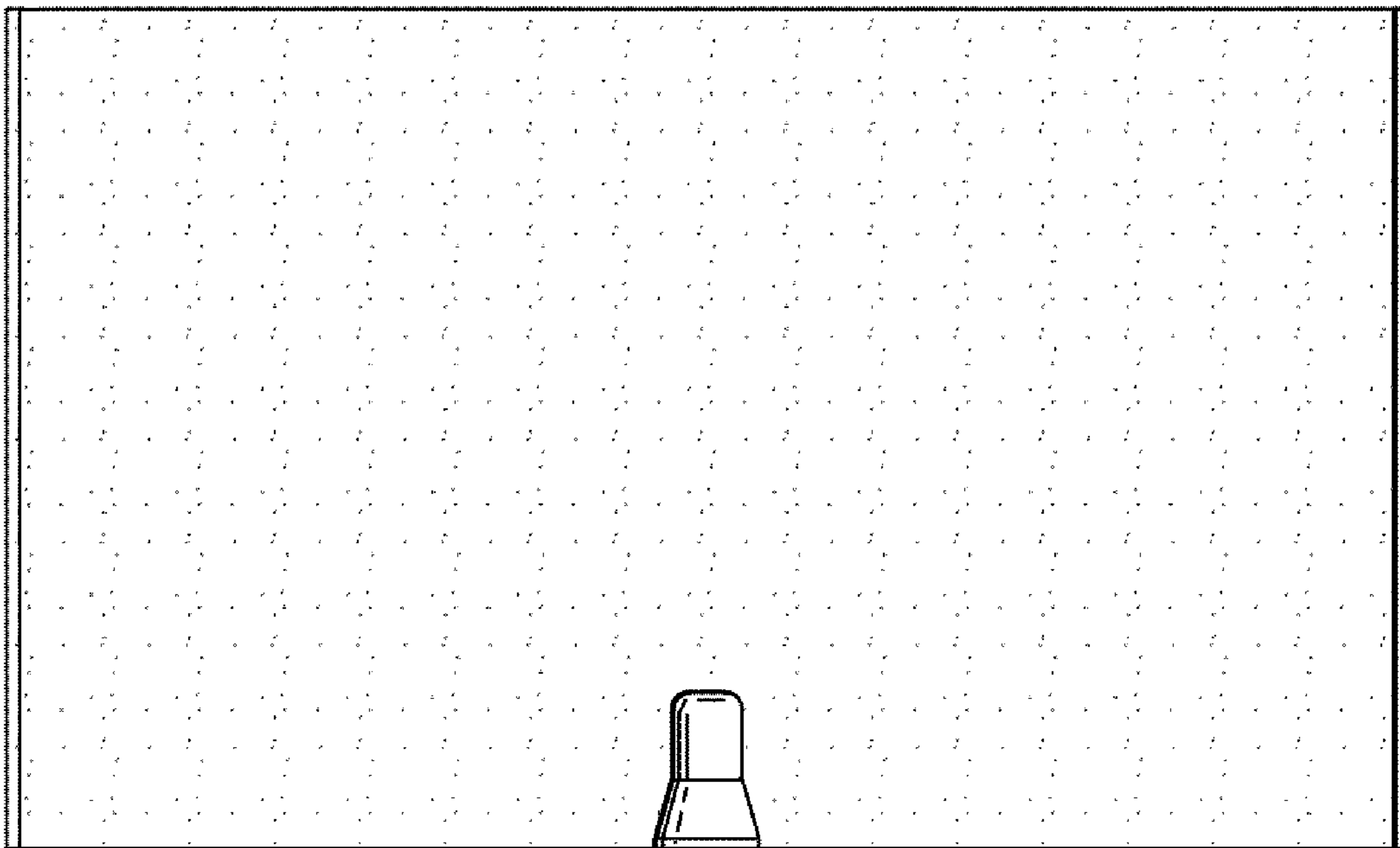


Fig. 5

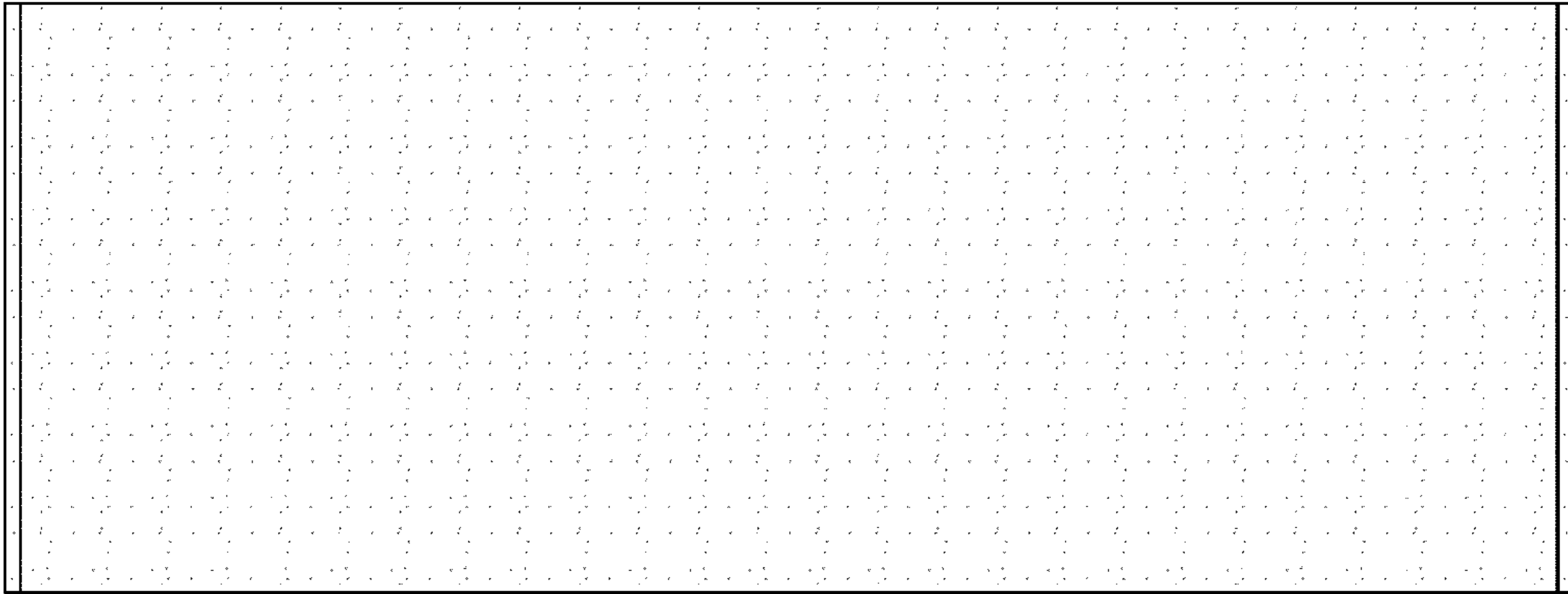


Fig. 6

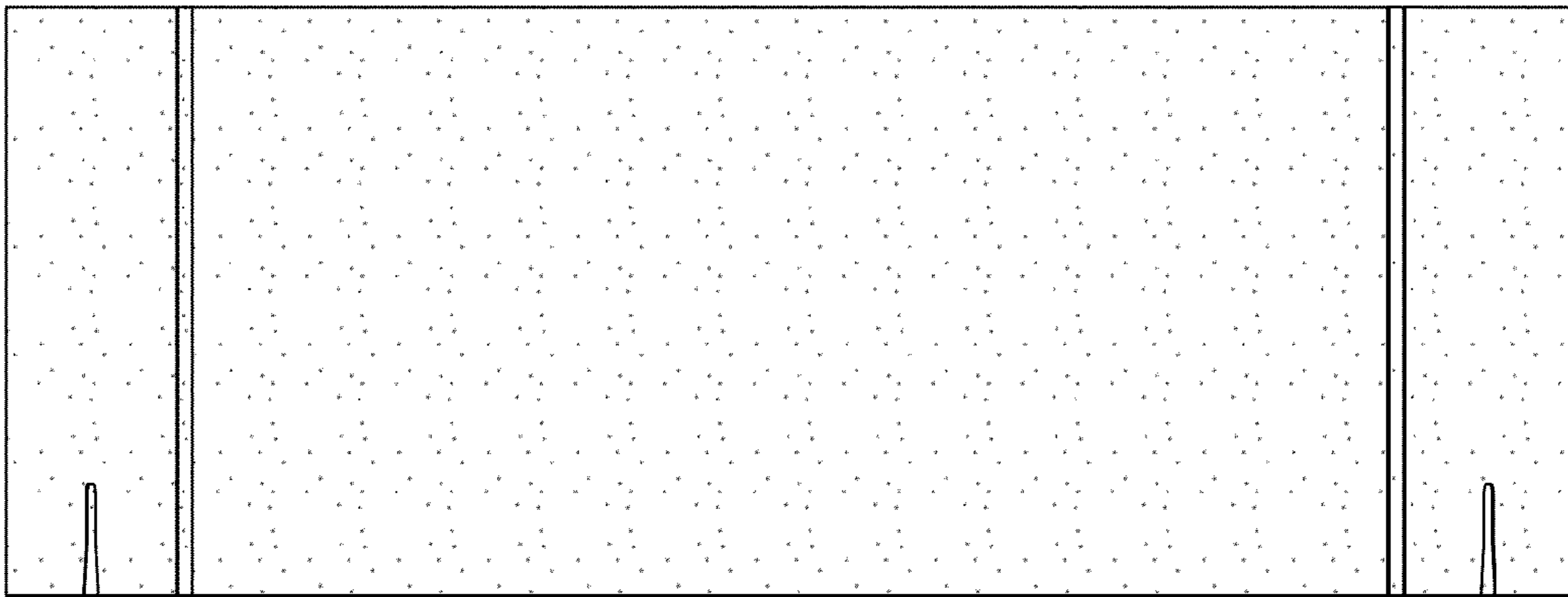


Fig. 7