

US00D647217S

(12) **United States Design Patent**  
**Richter et al.**

(10) **Patent No.:** **US D647,217 S**

(45) **Date of Patent:** **\*\* Oct. 18, 2011**

(54) **ENHANCEMENT PANEL RETAINING ASSEMBLY FOR A WINDOW**

6,370,828 B1 \* 4/2002 Genschorek ..... 52/200  
6,401,410 B2 \* 6/2002 Kenny et al. .... 52/235  
6,434,898 B1 \* 8/2002 Ward et al. .... 52/204.62

\* cited by examiner

(75) Inventors: **Stephen Richter**, Arlington, WA (US);  
**Donald Trombley**, Marysville, WA (US)

*Primary Examiner* — Doris Clark

(73) Assignee: **Crystalite Inc.**, Everett, WA (US)

(74) *Attorney, Agent, or Firm* — Kevin D. Jablonski;  
Graybeal Jackson LLP

(\*\*) Term: **14 Years**

(57) **CLAIM**

I claim the ornamental design for an enhancement panel retaining assembly for a window, as shown and described.

(21) Appl. No.: **29/359,726**

**DESCRIPTION**

(22) Filed: **Apr. 14, 2010**

(51) **LOC (9) Cl.** ..... **25-02**

FIG. 1 is a perspective view of an enhancement panel retaining assembly for a window.

(52) **U.S. Cl.** ..... **D25/60**

FIG. 2 is a perspective view of the detached top member of an enhancement panel retaining assembly for a window.

(58) **Field of Classification Search** ..... D25/124,  
D25/52, 60; 52/200.04, 705, 204.62

FIG. 3 is a perspective view of the detached bottom member of an enhancement panel retaining assembly for a window.

See application file for complete search history.

FIG. 4 is a top plan view of the detached top member of an enhancement panel retaining assembly for a window shown in FIG. 2; and,

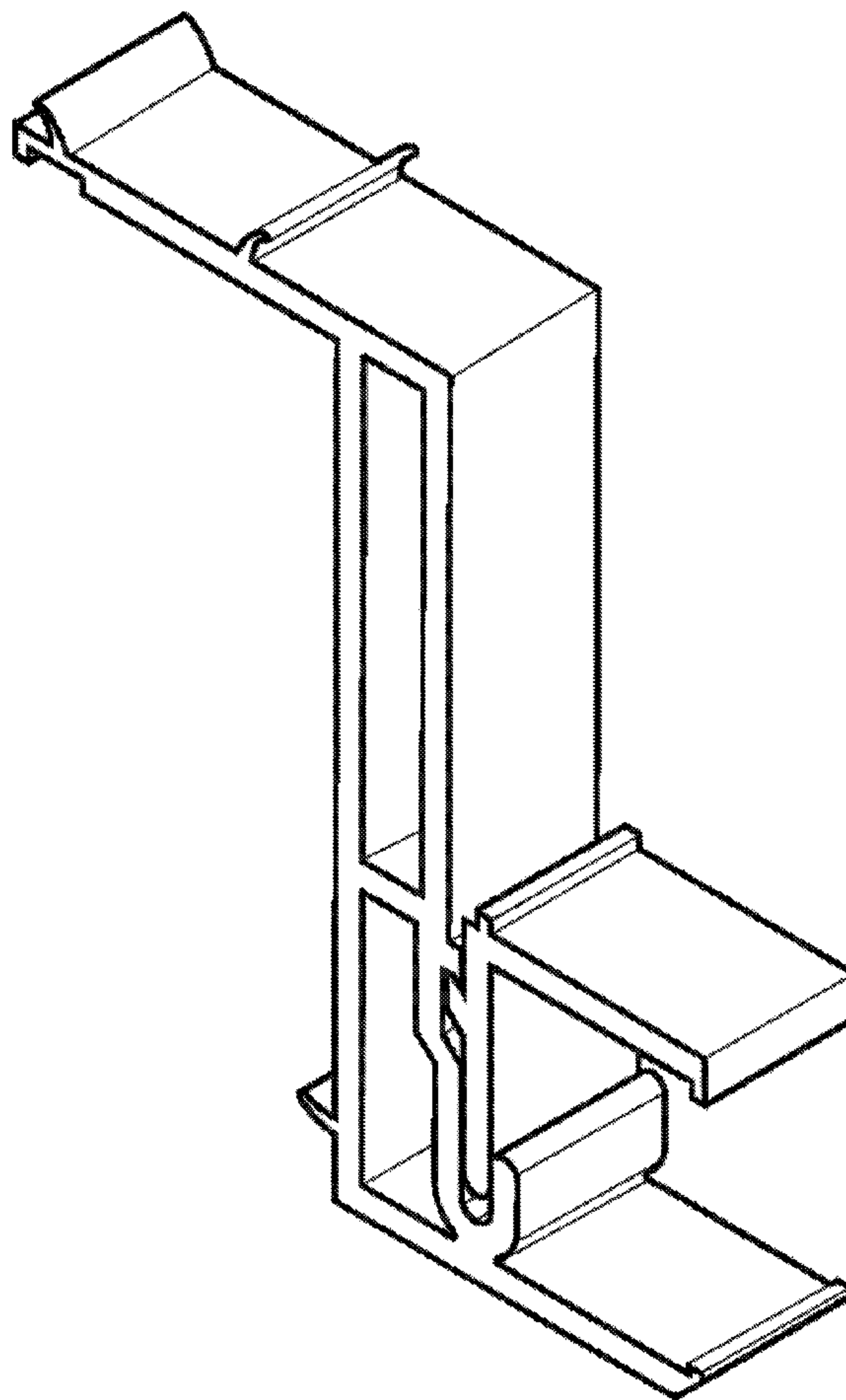
(56) **References Cited**

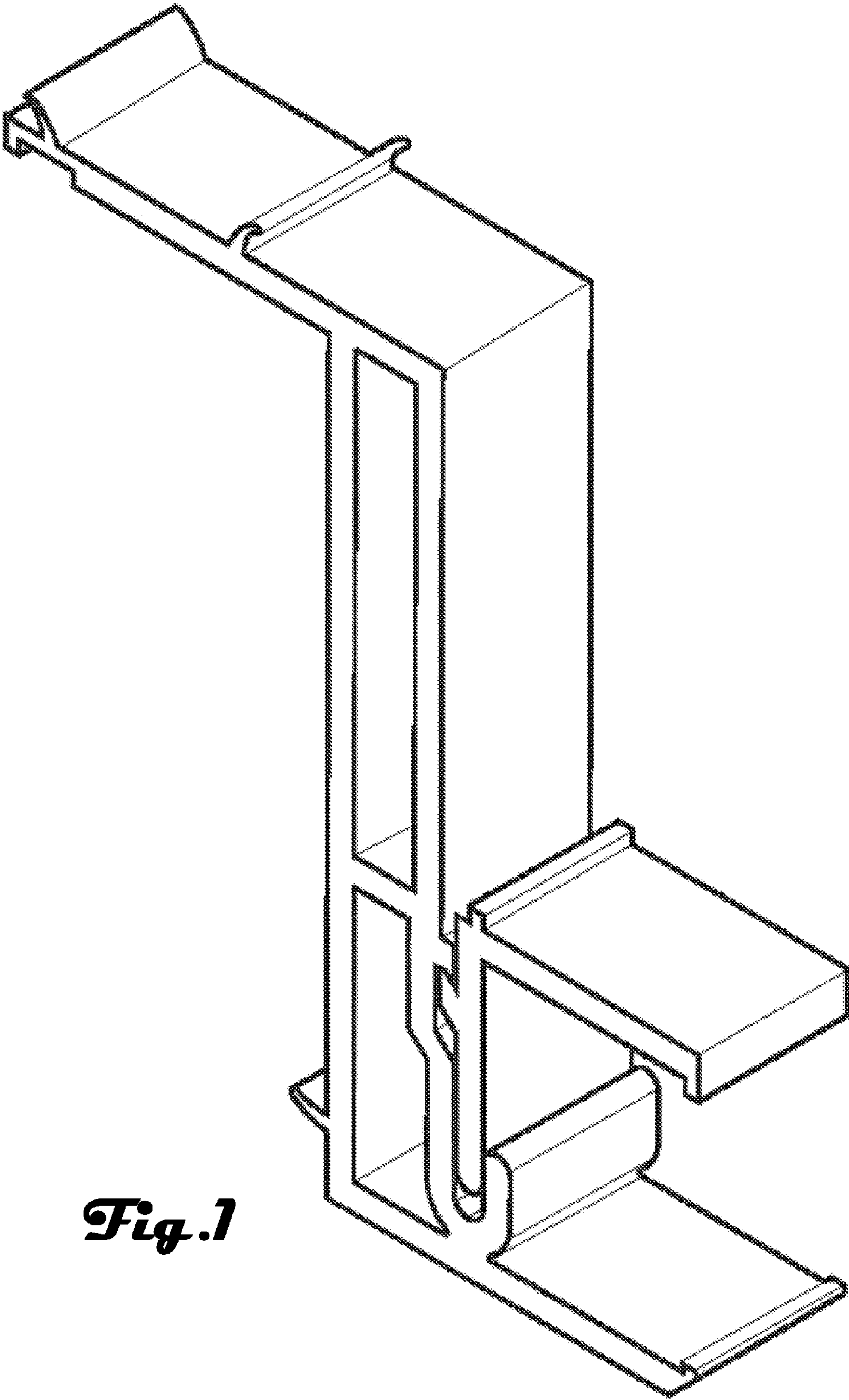
**U.S. PATENT DOCUMENTS**

4,498,822 A \* 2/1985 Diba ..... 410/2  
5,768,837 A \* 6/1998 Sjolholm ..... 52/204.62  
D450,134 S \* 11/2001 Roberts et al. .... D25/60

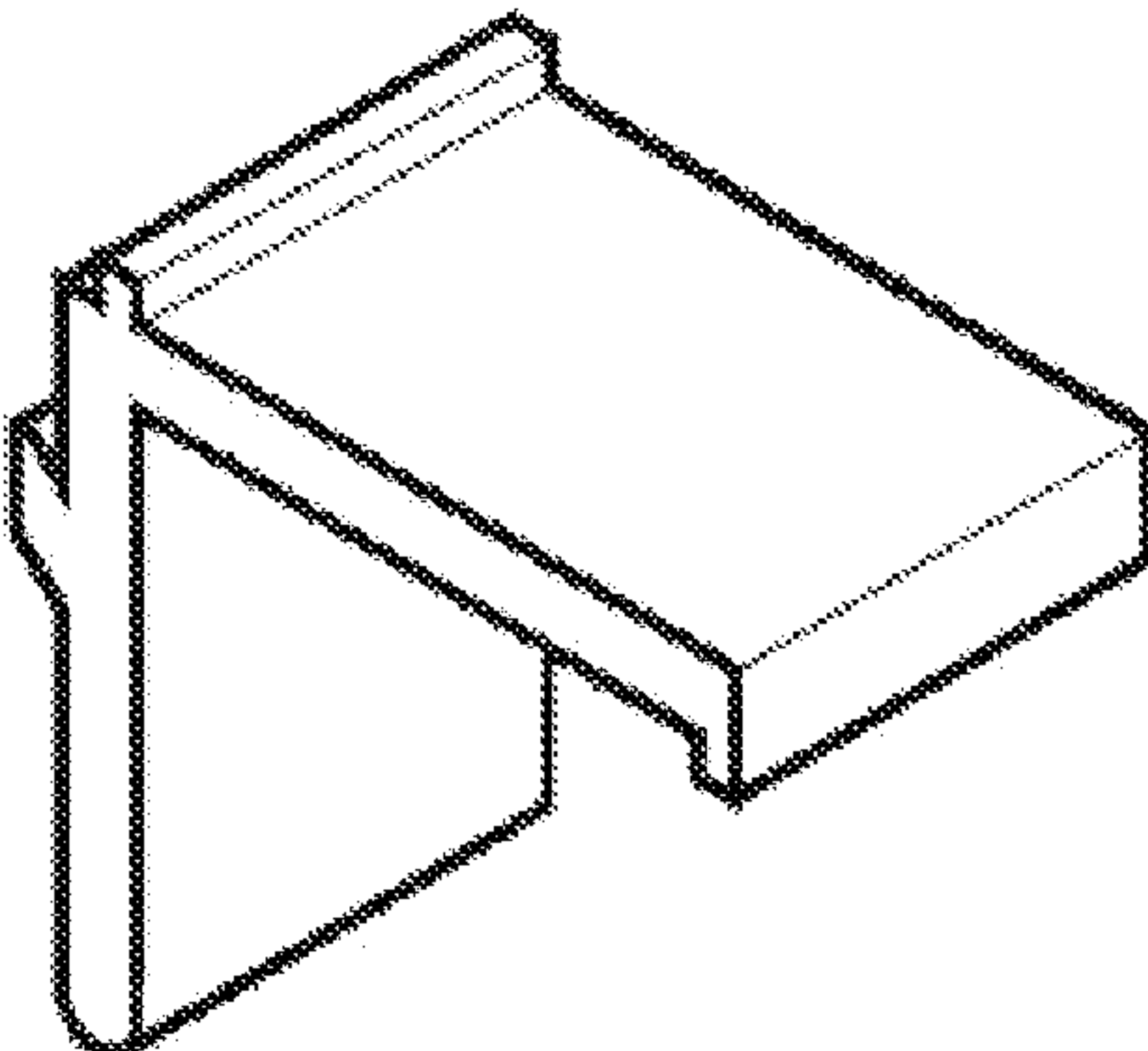
FIG. 5 is a top plan view of the detached bottom member of an enhancement panel retaining assembly for a window shown in FIG. 3.

**1 Claim, 3 Drawing Sheets**

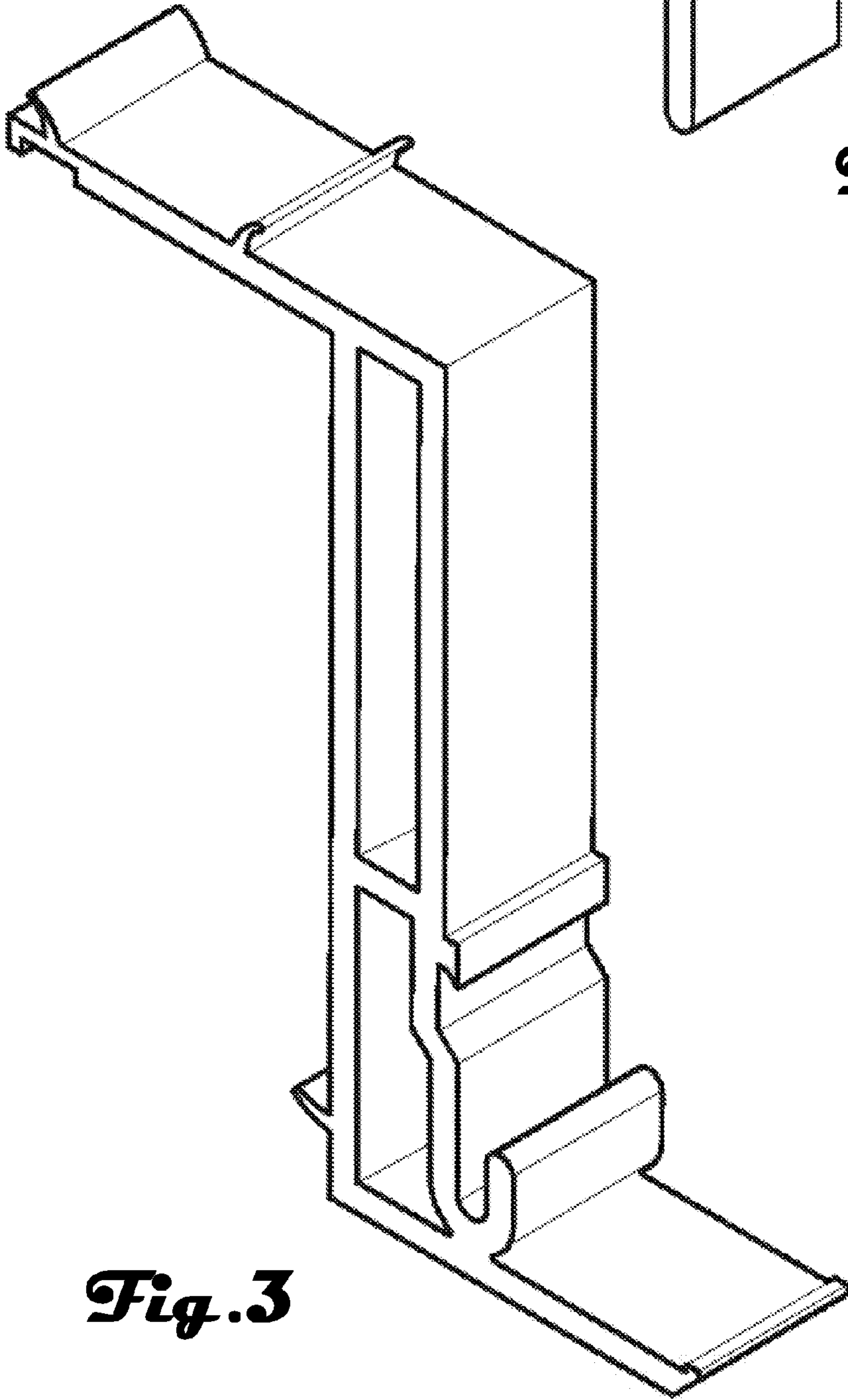




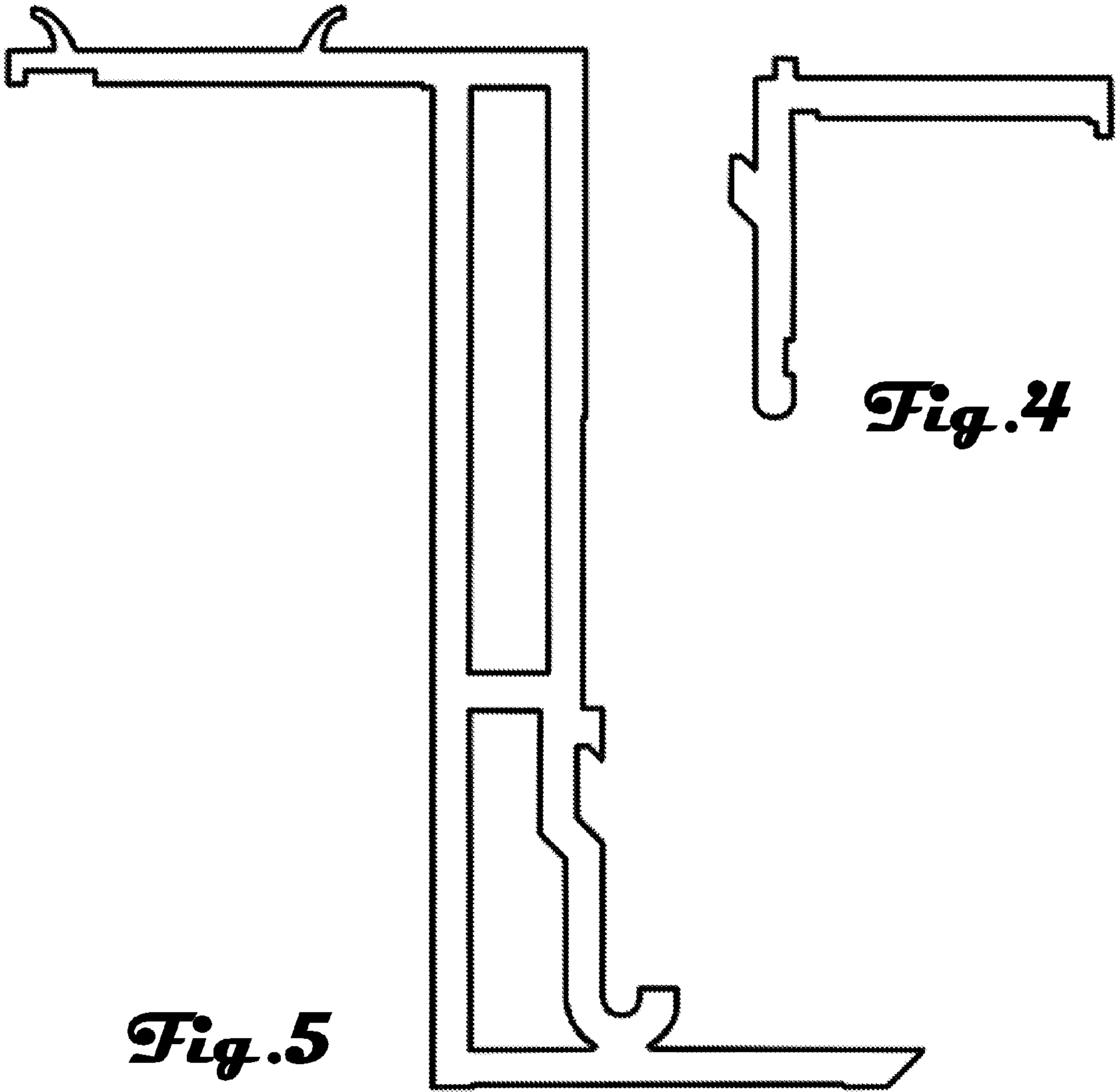
*Fig. 1*



*Fig. 2*



*Fig. 3*



*Fig. 5*

*Fig. 4*