



US00D647216S

(12) **United States Design Patent**
Richardson

(10) **Patent No.:** **US D647,216 S**

(45) **Date of Patent:** **** Oct. 18, 2011**

(54) **SOLAR ENERGY CANOPY**

(76) Inventor: **Donald S. Richardson**, Providence, RI
(US)

(**) Term: **14 Years**

(21) Appl. No.: **29/368,988**

(22) Filed: **Aug. 31, 2010**

(51) **LOC (9) Cl.** **25-03**

(52) **U.S. Cl.** **D25/56**

(58) **Field of Classification Search** D25/56,
D25/1, 57, 18, 34, 16, 22; 52/63, 74, 73,
52/66, 75, 78, 89

See application file for complete search history.

(56) **References Cited**

U.S. PATENT DOCUMENTS

2,128,539	A	*	8/1938	Roach	52/73
D178,471	S	*	8/1956	Volk	D25/56
D188,275	S	*	6/1960	Vetere	D25/57
D192,464	S	*	3/1962	Selby	D25/56
D193,471	S	*	8/1962	Baker	D25/56
D196,637	S	*	10/1963	Christ-Janer	D25/1
D225,051	S	*	11/1972	Smithhart	D25/56
D363,790	S	*	10/1995	Boyd	D25/56
D402,771	S	*	12/1998	Broudy	D25/56
D408,554	S	*	4/1999	Dinwoodie	D25/56
D452,328	S	*	12/2001	O'Brien	D25/56
D456,085	S	*	4/2002	O'Brien	D25/56

D468,837	S	*	1/2003	Shilling et al.	D25/56
D511,576	S	*	11/2005	Shingleton et al.	D25/56
D595,865	S	*	7/2009	Magnusson	D25/56
D611,404	S		3/2010	Mackler		
D611,405	S		3/2010	Mackler		

* cited by examiner

Primary Examiner — T. Chase Nelson

Assistant Examiner — Eric Goodman

(74) *Attorney, Agent, or Firm* — Cserr Patents & Strategic Counseling

(57) **CLAIM**

The ornamental design for the solar energy canopy, as shown and described.

DESCRIPTION

FIG. 1 is a side elevation view of a cross section of the assembly of the invention.

FIG. 2 is a front elevation view of the assembly of the invention.

FIG. 3 is a top view of the assembly of the invention.

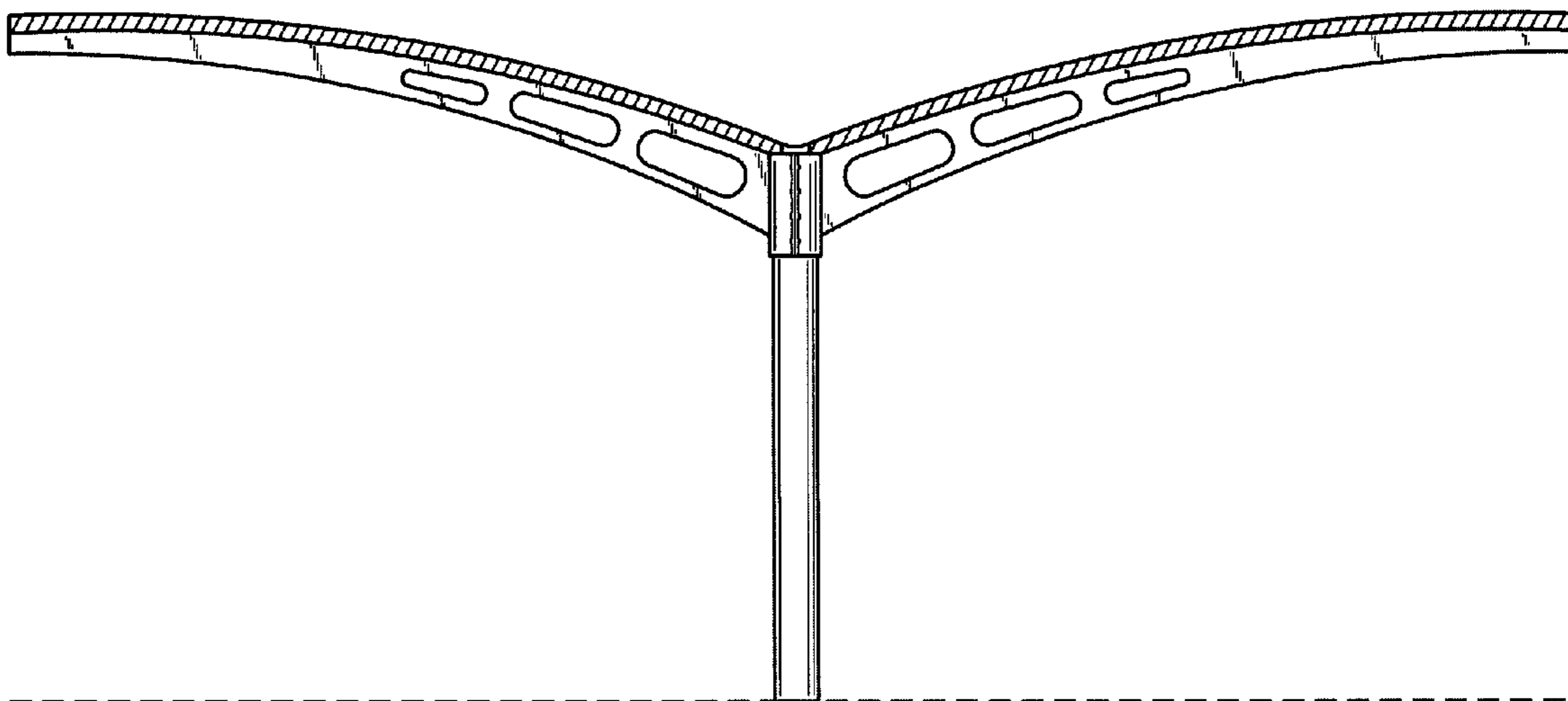
FIG. 4 is a right side and bottom perspective view of the invention; and,

FIG. 5 is a left side and bottom perspective view of the invention.

None of the broken lines form any part of the claimed design.

The broken lines in the views adjacent the claimed areas in the views represent the boundaries of the design.

1 Claim, 5 Drawing Sheets



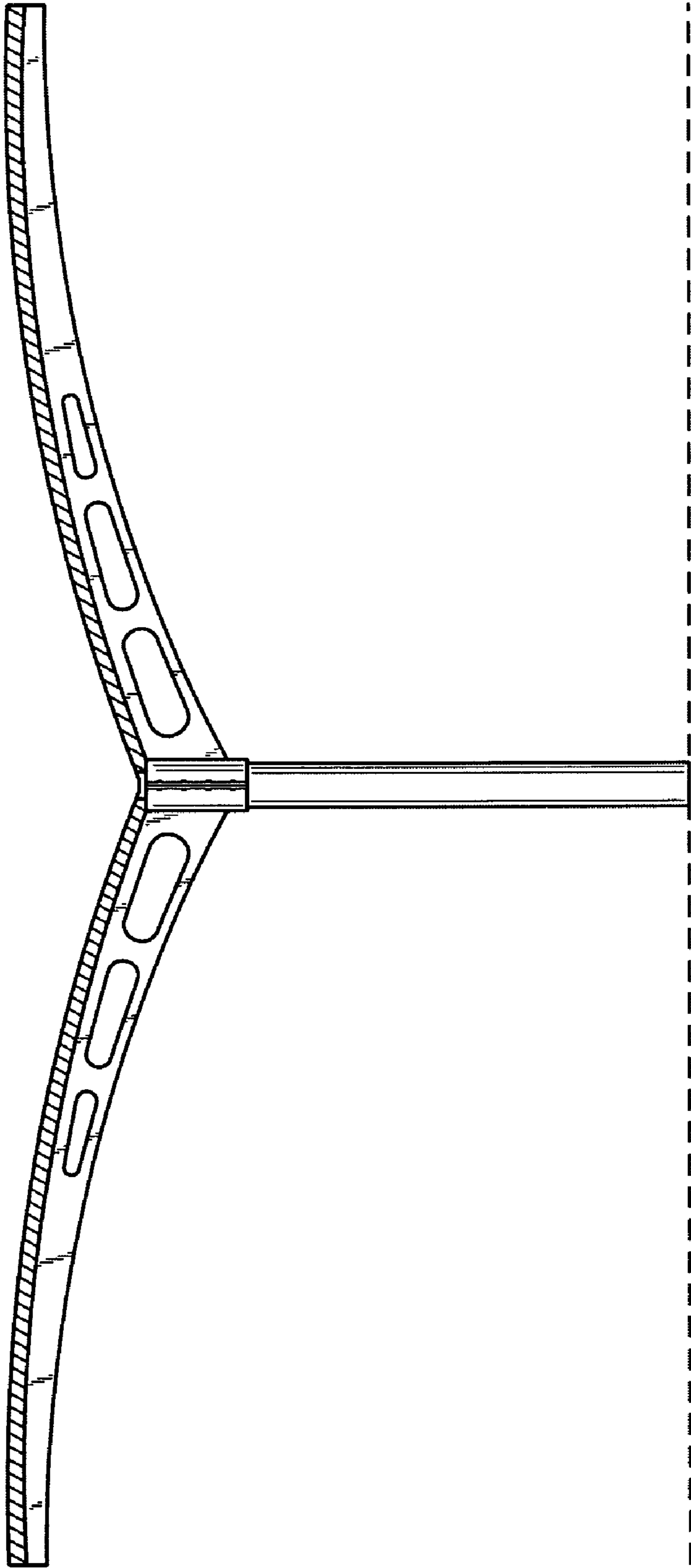


FIG. 1

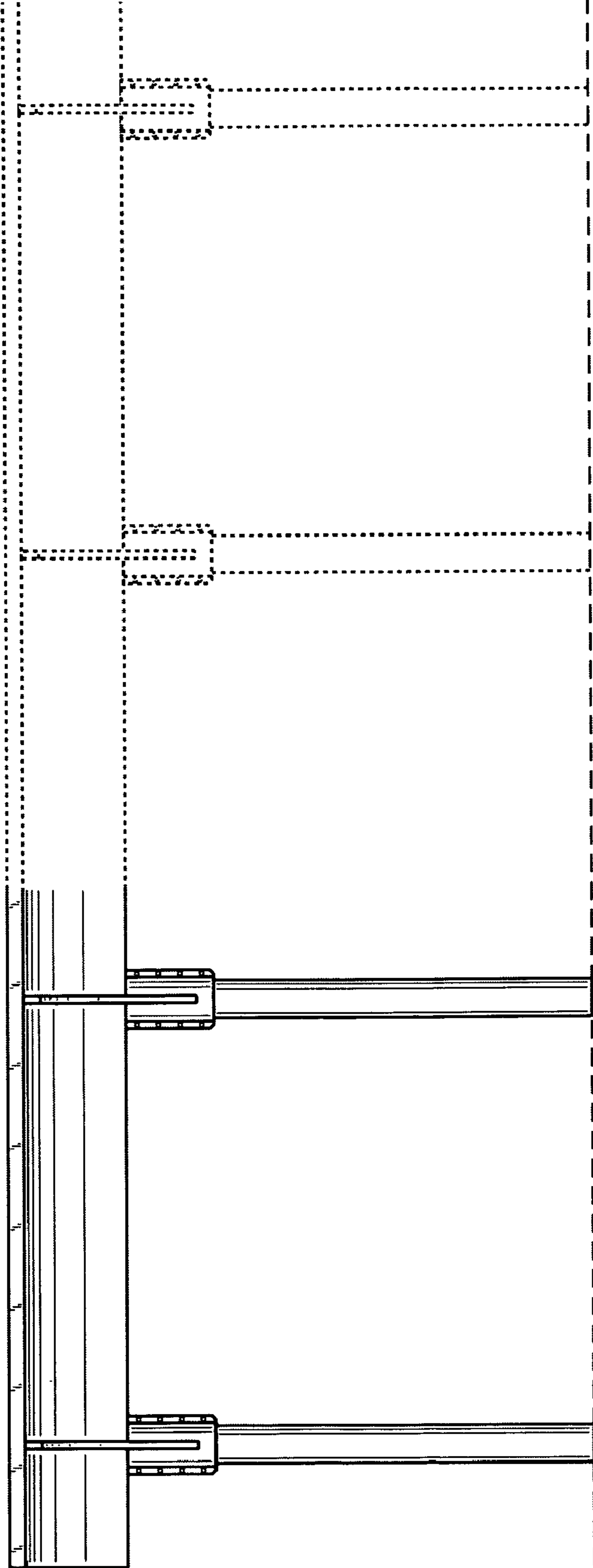


FIG. 2

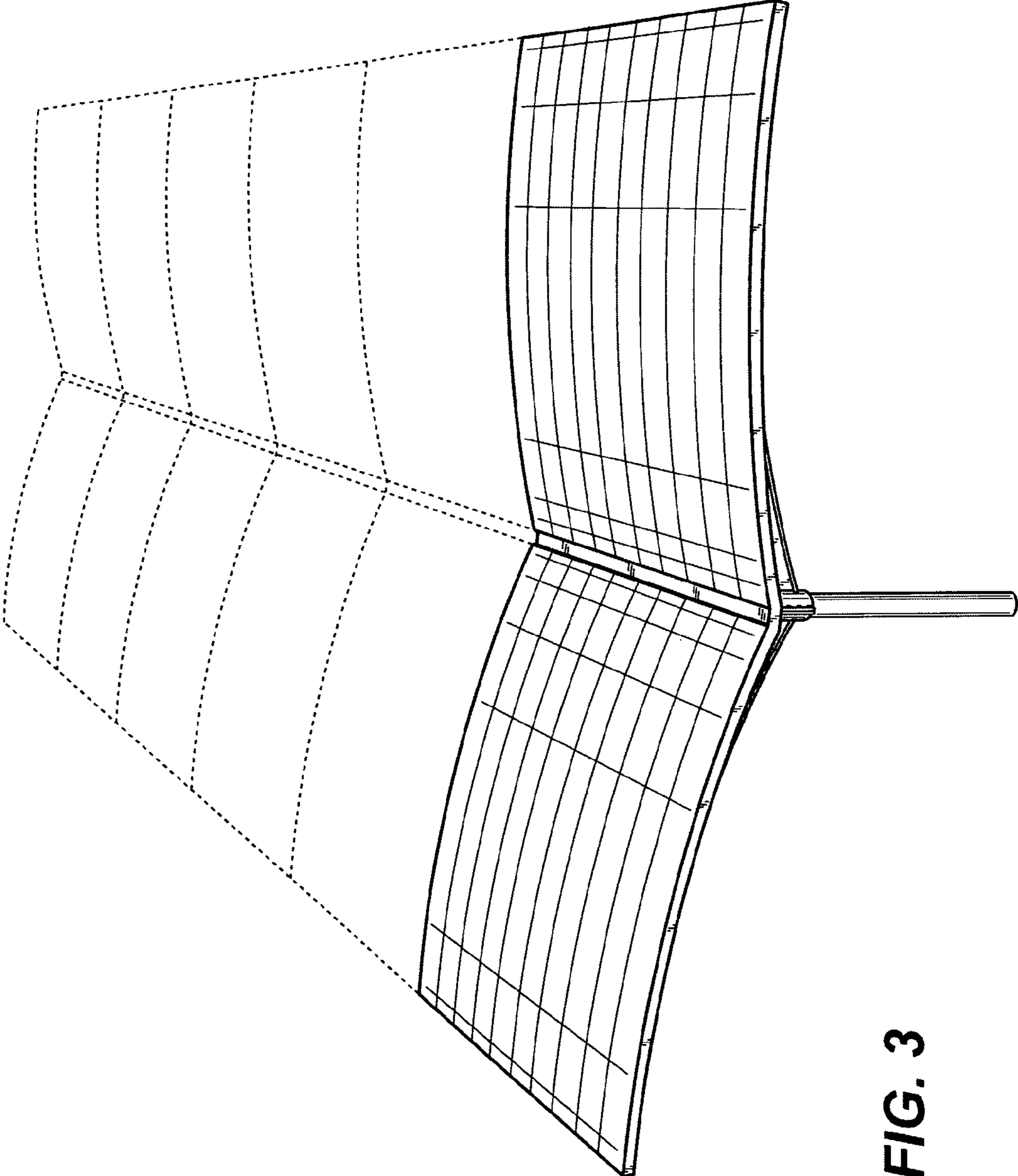


FIG. 3

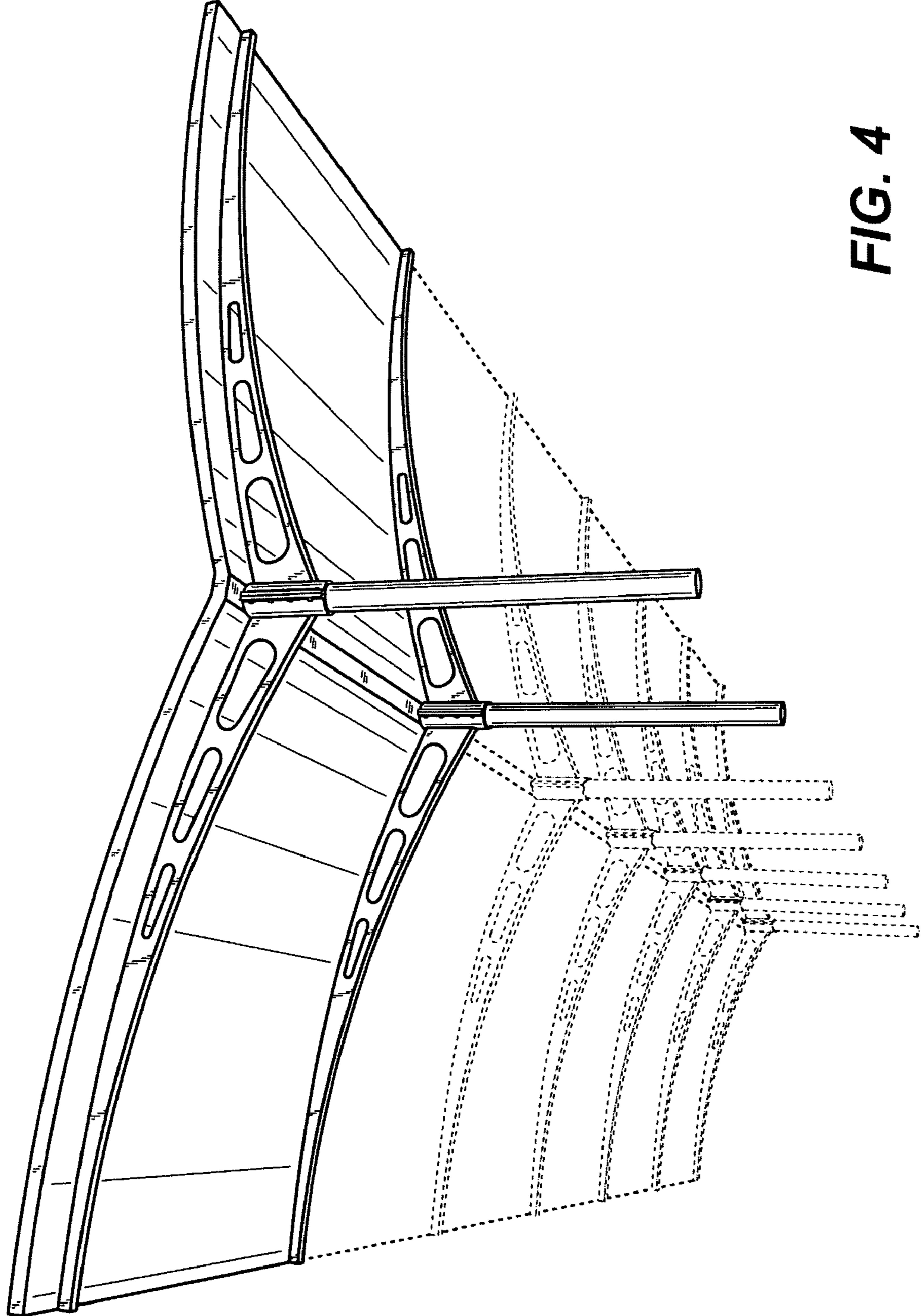


FIG. 4

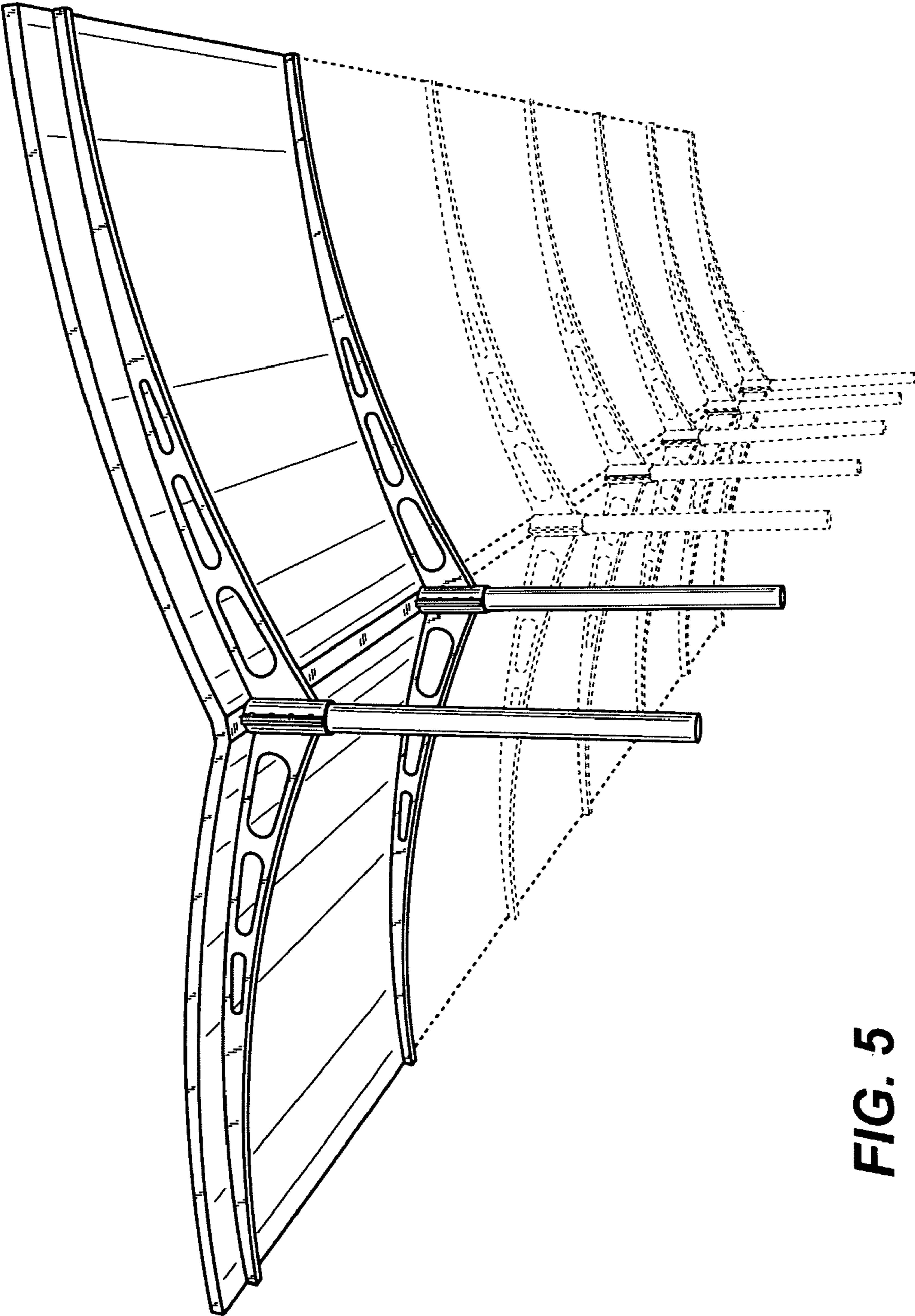


FIG. 5