



US00D647215S

(12) **United States Design Patent**
Seehof

(10) **Patent No.:** **US D647,215 S**

(45) **Date of Patent:** **** *Oct. 18, 2011**

- (54) **RIBBED GRAB RAIL**
- (75) Inventor: **John J. Seehof**, Blythewood, SC (US)
- (73) Assignee: **Hansen International, Inc.**, Lexington, SC (US)
- (**) Term: **14 Years**
- (21) Appl. No.: **29/381,695**
- (22) Filed: **Dec. 22, 2010**
- (51) **LOC (9) Cl.** **25-02**
- (52) **U.S. Cl.** **D25/41; D25/38**
- (58) **Field of Classification Search** D25/38, D25/41; D8/315; D6/533, 549; 4/511; 52/184; 182/106, 112, 113, 206; 211/100, 123, 124
See application file for complete search history.

- D333,966 S 3/1993 Levien
- 5,190,267 A * 3/1993 Schmitt et al. 256/59
- D344,592 S 2/1994 Zaccai et al.
- 5,295,595 A 3/1994 Gobidas et al.
- 5,297,010 A 3/1994 Camarota et al.
- 5,504,974 A 4/1996 Graber
- D380,956 S 7/1997 Collins
- 5,657,968 A 8/1997 Marsden
- D385,177 S 10/1997 Perry
- 5,690,237 A 11/1997 Marzec
- D388,272 S 12/1997 Moore
- 5,743,064 A * 4/1998 Bennett 52/718.04
- 5,779,228 A 7/1998 Hansen
- D407,932 S 4/1999 Sweetman
- 6,076,233 A 6/2000 Sasaki et al.
- D450,113 S 11/2001 Teskey
- 6,523,888 B1 2/2003 Yan et al.

(Continued)

Primary Examiner — Doris Clark
(74) *Attorney, Agent, or Firm* — Dority & Manning, P.A.

(56) **References Cited**

U.S. PATENT DOCUMENTS

- 1,311,635 A 7/1919 Baker
- 2,242,461 A 5/1941 Fisher
- 2,974,746 A 3/1961 Baker
- 3,156,977 A 11/1964 Logan
- 3,569,689 A 3/1971 Nestrock
- 3,813,705 A * 6/1974 Spaulding 4/511
- D236,864 S 9/1975 Tegner
- D239,798 S 5/1976 Vrignaud
- D243,093 S 1/1977 Reynolds
- 4,193,586 A 3/1980 Guenther
- D263,661 S 4/1982 Thompson
- D267,840 S 2/1983 Cohen
- D272,039 S 1/1984 Stairs, Jr.
- D290,683 S 7/1987 Dartnall
- 4,729,482 A 3/1988 Nickolson
- 4,895,332 A 1/1990 Hansen et al.
- D310,147 S 8/1990 Aaron
- D312,935 S 12/1990 Chap et al.
- D314,130 S 1/1991 Lee
- 5,025,352 A 6/1991 Brown
- 5,050,252 A 9/1991 Cuttriss
- D327,196 S 6/1992 Crook et al.

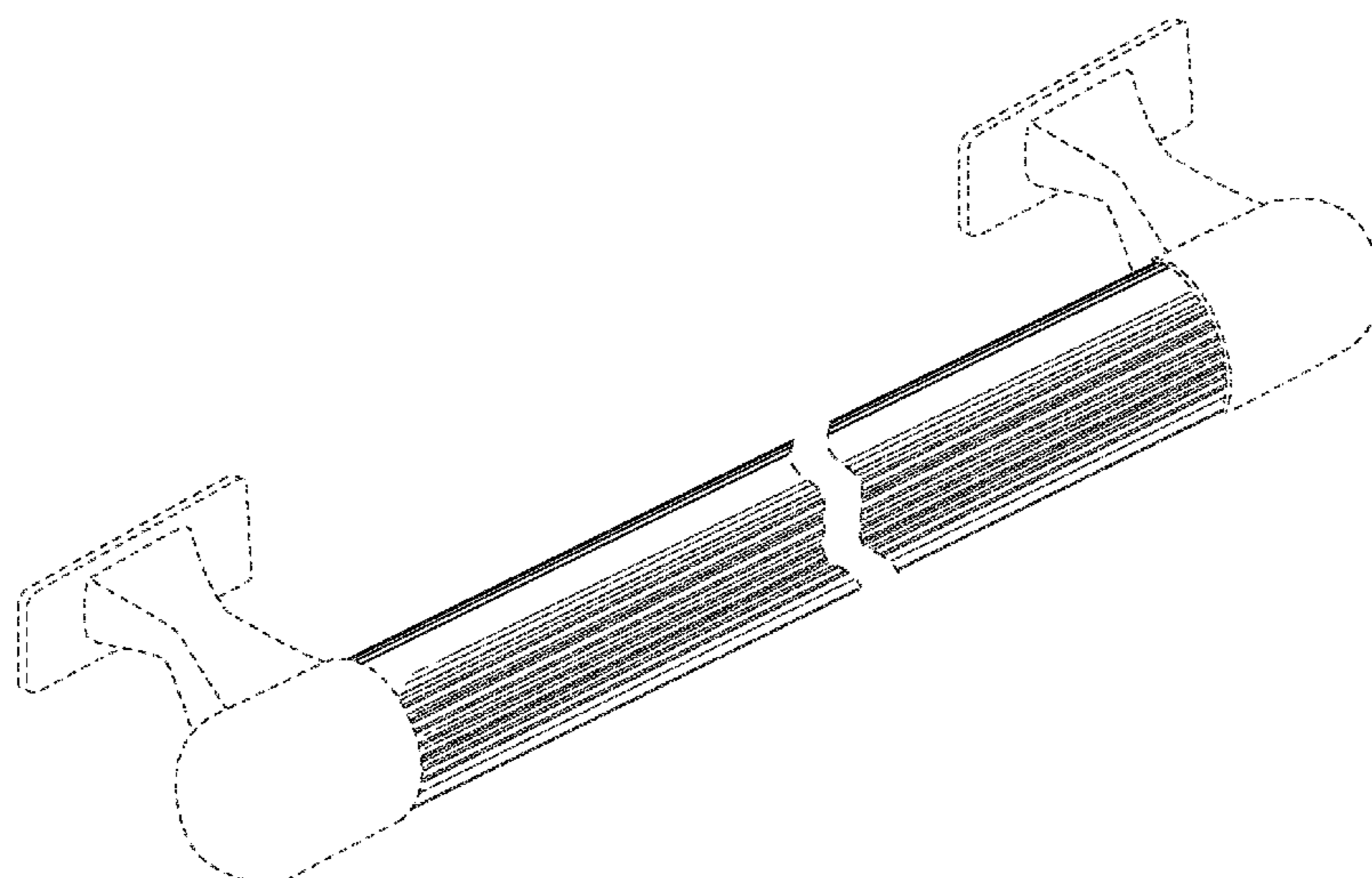
(57) **CLAIM**

The ornamental design for a ribbed grab rail, as shown and described.

DESCRIPTION

FIG. 1 is a perspective view of the ribbed grab rail according to the present design;
 FIG. 2 is an alternate perspective view of the ribbed grab rail of FIG. 1;
 FIG. 3 is an end view of the ribbed grab rail of FIG. 1;
 FIG. 4 is a right or left side view of the ribbed grab rail of FIG. 1;
 FIG. 5 is a top view of the ribbed grab rail of FIG. 1;
 FIG. 6 is a bottom view of the ribbed grab rail of FIG. 1; and,
 FIG. 7 is a perspective view of the ribbed grab rail of FIG. 1, as installed using stanchions.
 The claimed design is shown broken in the center for ease of illustration.

1 Claim, 3 Drawing Sheets



US D647,215 S

Page 2

U.S. PATENT DOCUMENTS			
6,554,338	B1	4/2003	Spence
D474,281	S	5/2003	Hansen
D476,097	S	6/2003	Yan
D477,482	S	7/2003	Green
D481,235	S	10/2003	Gilbert
6,647,594	B1	11/2003	Deb et al.
D483,462	S	12/2003	Teskey
D484,955	S	1/2004	Shimizu
D486,583	S	2/2004	Self et al.
D491,672	S *	6/2004	Self et al. D25/41
D491,676	S	6/2004	Self et al.
6,758,584	B2	7/2004	Bach et al.
D518,183	S *	3/2006	Hsieh D25/38
7,007,366	B1	3/2006	Eby
D529,323	S	10/2006	Gilbert
7,124,451	B2	10/2006	Moore
D536,597	S	2/2007	Berlovan et al.
D541,391	S	4/2007	Sladick et al.
D559,653	S	1/2008	Reichling et al.
D621,955	S	8/2010	Seehof
2003/0110716	A1 *	6/2003	Hansen 52/184
2007/0061959	A1	3/2007	Berlovan

* cited by examiner

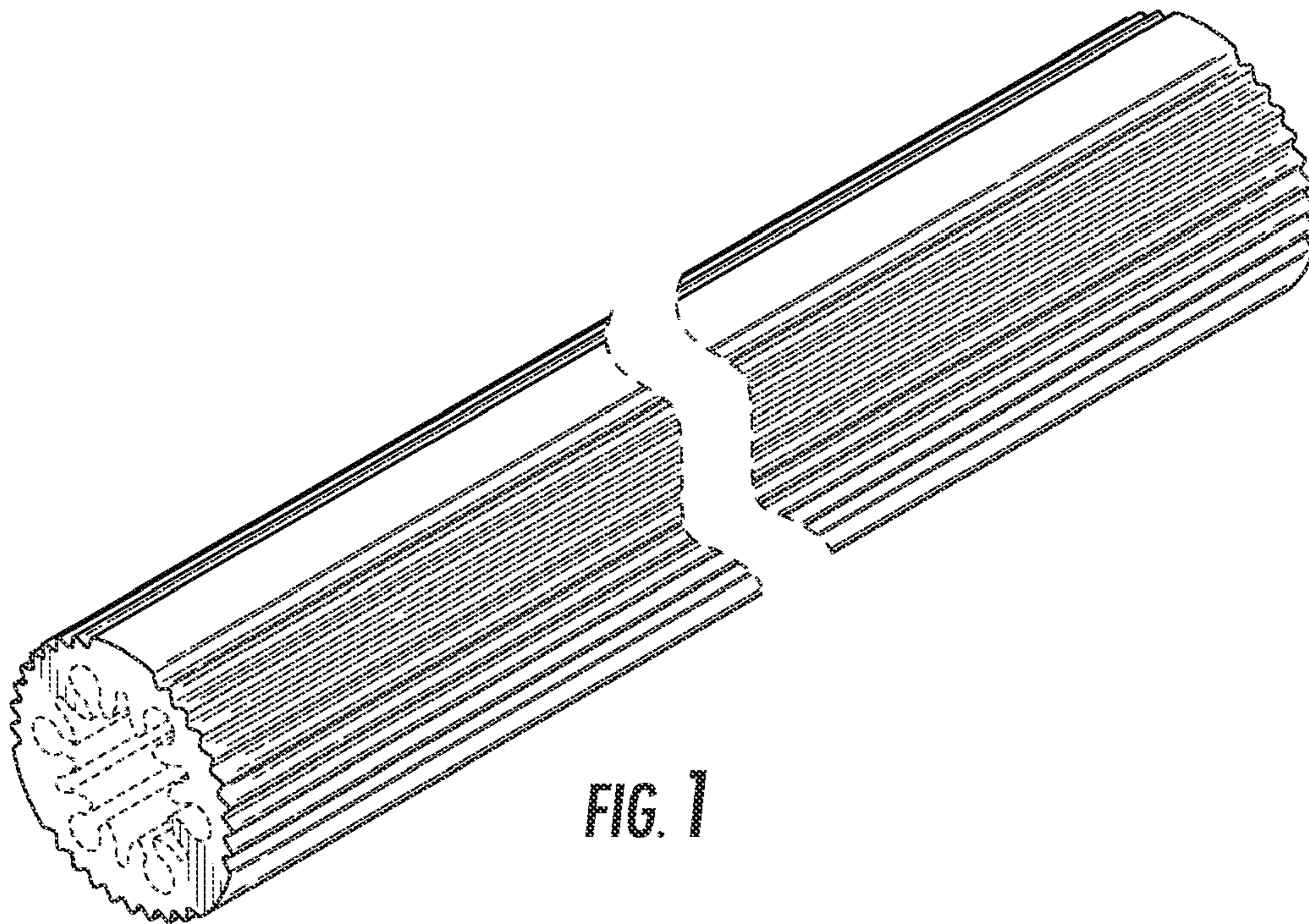


FIG. 1

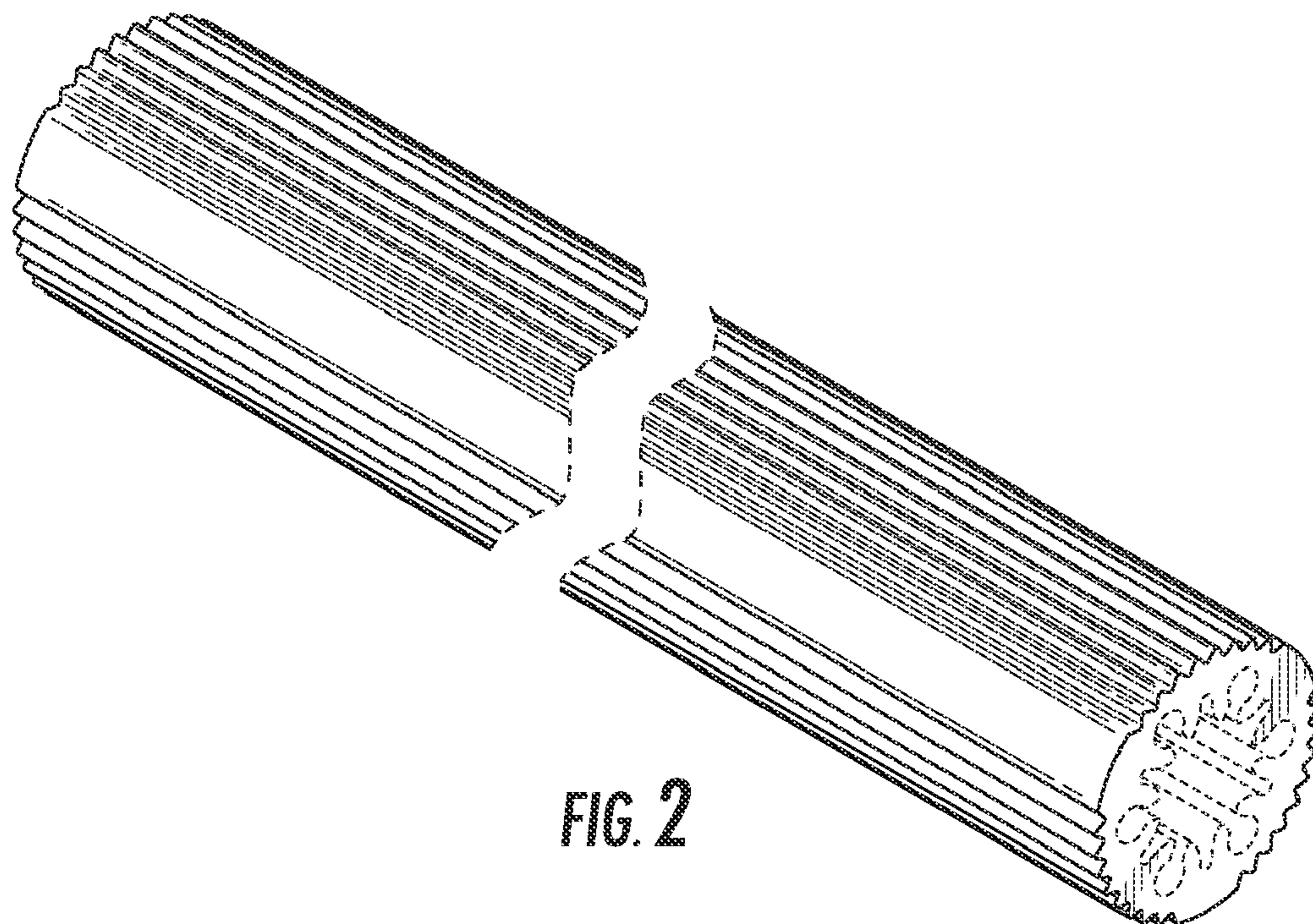


FIG. 2

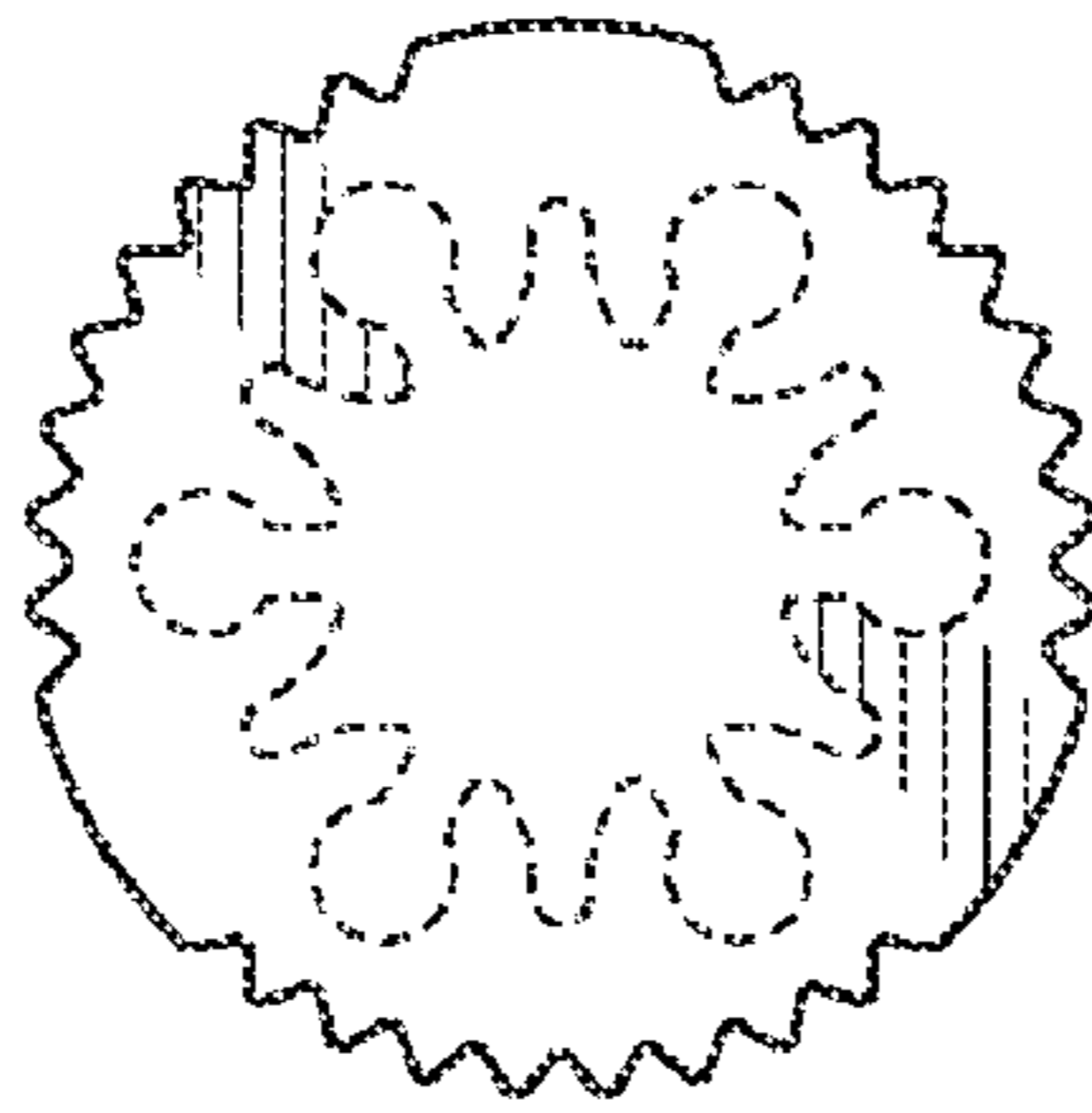


FIG. 3

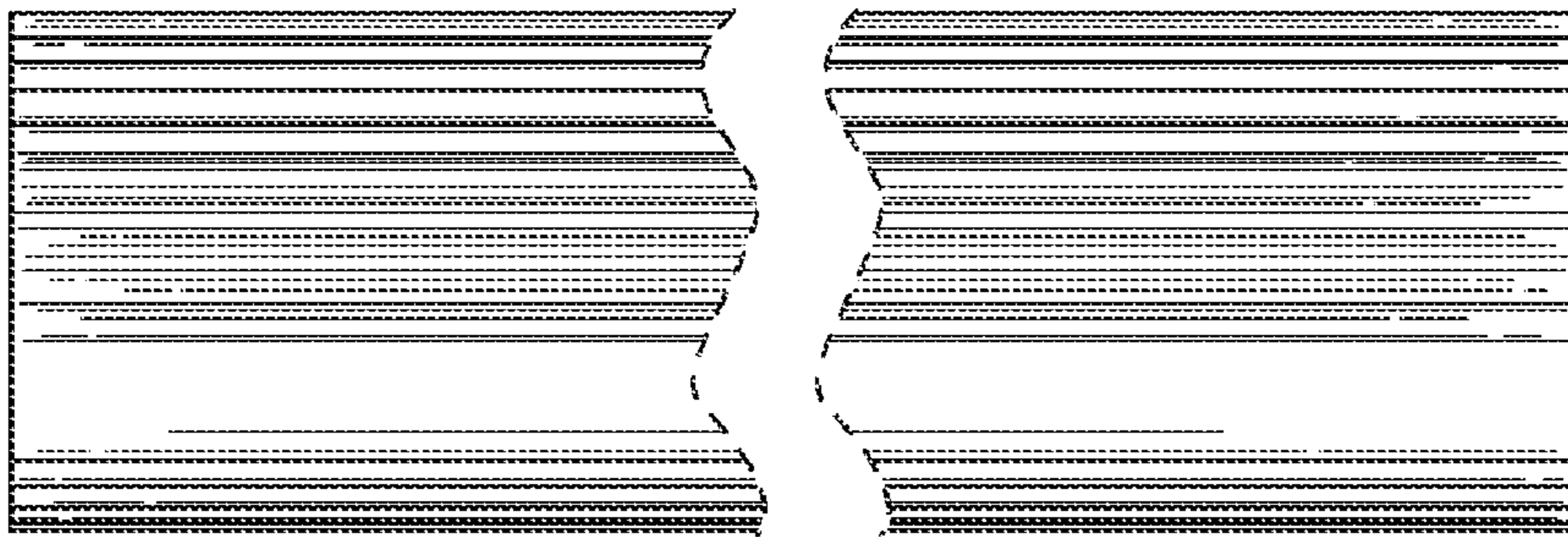


FIG. 4

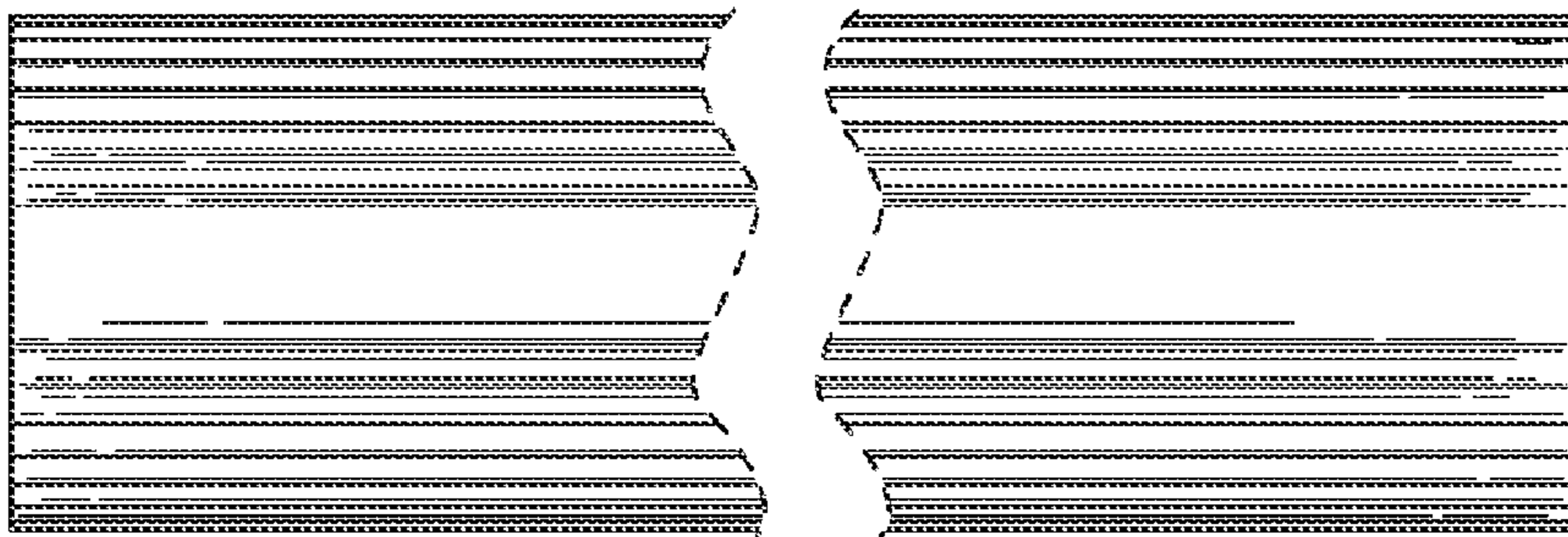


FIG. 5

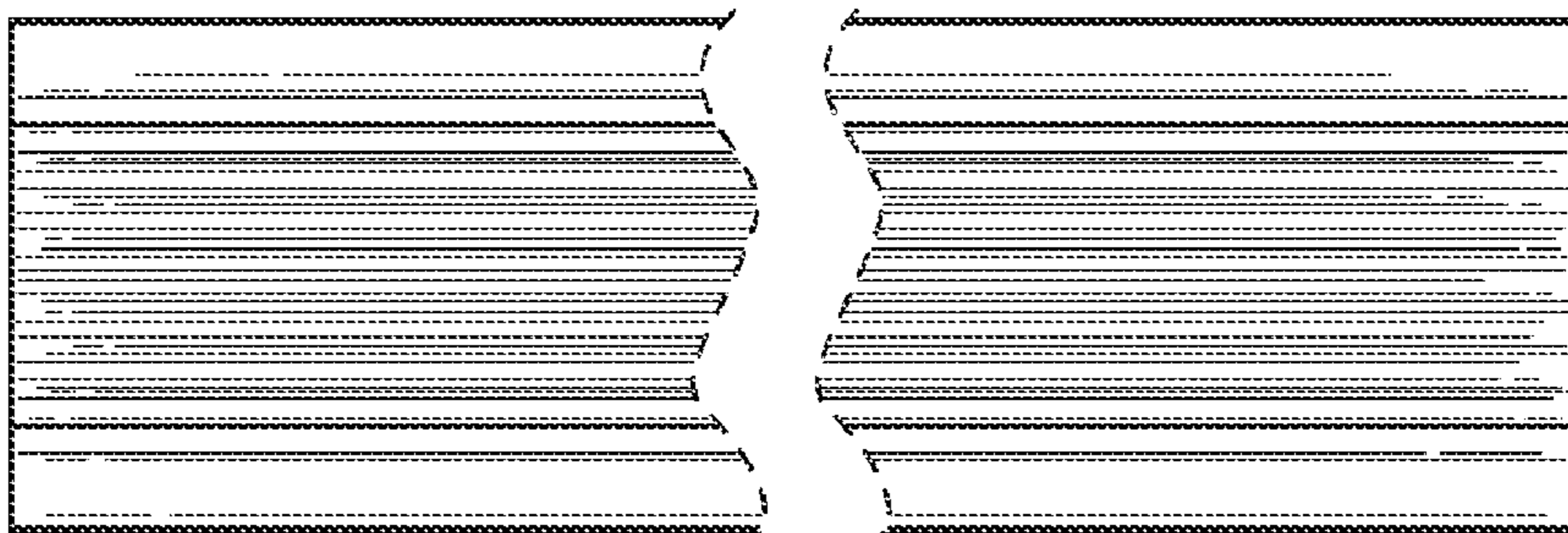


FIG. 6

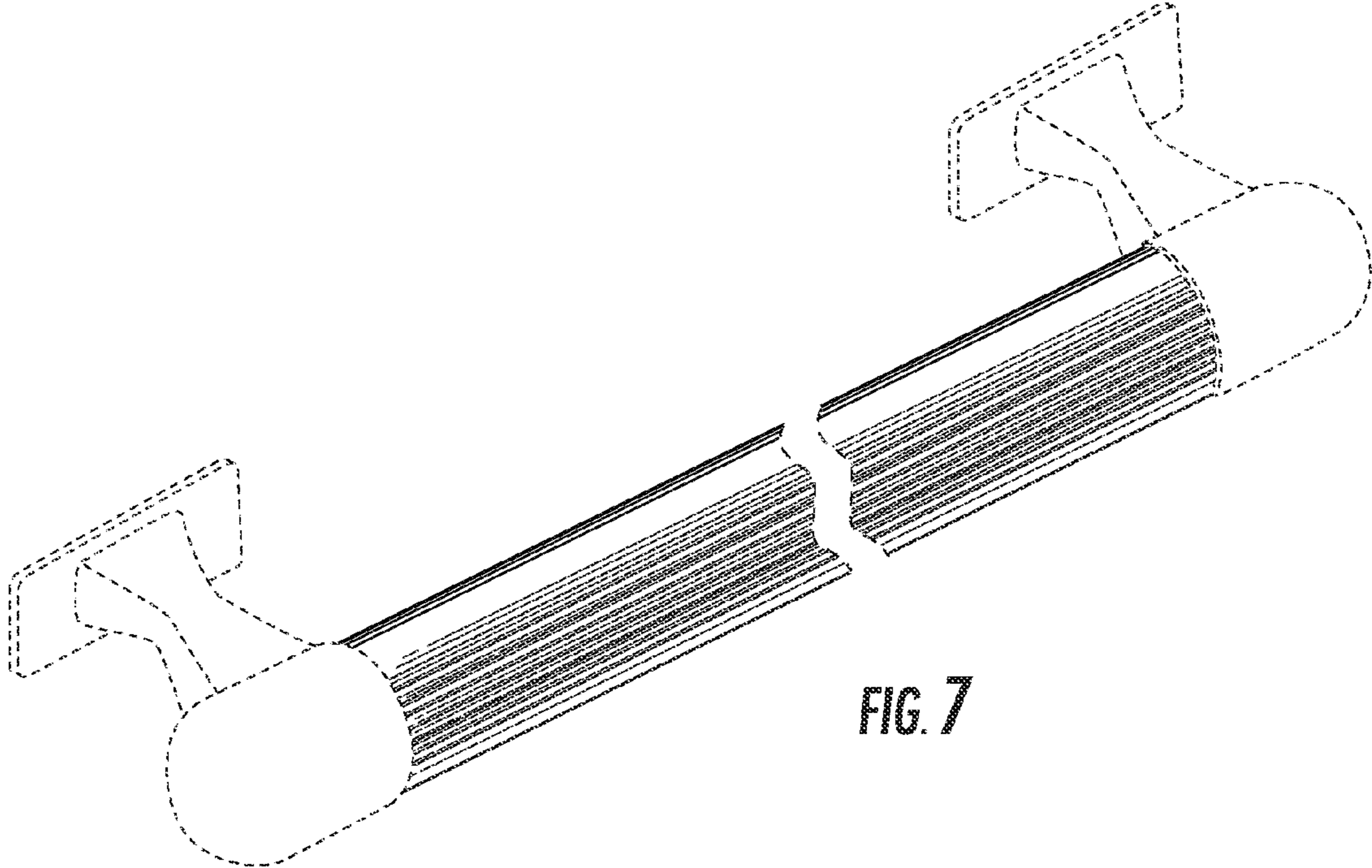


FIG. 7