



US00D647213S

(12) **United States Design Patent**
Seehof

(10) **Patent No.:** **US D647,213 S**

(45) **Date of Patent:** **** *Oct. 18, 2011**

(54) **GRAB RAIL WITH TWO KNURLED PORTIONS AND CAVITY FOR LIGHT**

(75) Inventor: **John J. Seehof**, Blythewood, SC (US)

(73) Assignee: **Hansen International, Inc.**, Lexington, SC (US)

(**) Term: **14 Years**

(21) Appl. No.: **29/375,318**

(22) Filed: **Sep. 21, 2010**

(51) **LOC (9) Cl.** **25-02**

(52) **U.S. Cl.** **D25/41; D25/38; D6/549**

(58) **Field of Classification Search** **D25/38, D25/41; D8/315; D6/533, 549; 4/511; 52/184; 256/59; 182/106, 112, 113, 206; 211/100, 211/123, 124**

See application file for complete search history.

(56) **References Cited**

U.S. PATENT DOCUMENTS

1,311,635	A	7/1919	Baker	
2,242,461	A	5/1941	Fisher	
2,974,746	A	3/1961	Baker	
3,156,977	A	11/1964	Logan	
3,569,689	A	3/1971	Nestrock	
3,813,705	A *	6/1974	Spaulding	4/511
D236,864	S	9/1975	Tegner	
D239,798	S	5/1976	Vrignaud	
D243,093	S	1/1977	Reynolds	
4,193,586	A	3/1980	Guenther	
D263,661	S	4/1982	Thompson	
D267,840	S	2/1983	Cohen	
D272,039	S	1/1984	Stairs, Jr.	
D290,683	S	7/1987	Dartnall	
4,729,482	A	3/1988	Nickolson	
4,895,332	A	1/1990	Hansen et al.	
D310,147	S	8/1990	Aaron	
D312,935	S	12/1990	Chap et al.	
D314,130	S	1/1991	Lee	
5,025,352	A	6/1991	Brown	

5,050,252	A	9/1991	Cuttriss	
D327,196	S	6/1992	Crook et al.	
D333,966	S	3/1993	Levien	
5,190,267	A *	3/1993	Schmitt et al.	256/59
D344,592	S	2/1994	Zaccai et al.	
5,295,595	A	3/1994	Gobidas et al.	
5,297,010	A	3/1994	Camarota et al.	
5,504,974	A	4/1996	Graber	
D380,956	S	7/1997	Collins	
5,657,968	A	8/1997	Marsden	
D385,177	S	10/1997	Perry	

(Continued)

Primary Examiner — Doris Clark

(74) *Attorney, Agent, or Firm* — Dority & Manning, P.A.

(57) **CLAIM**

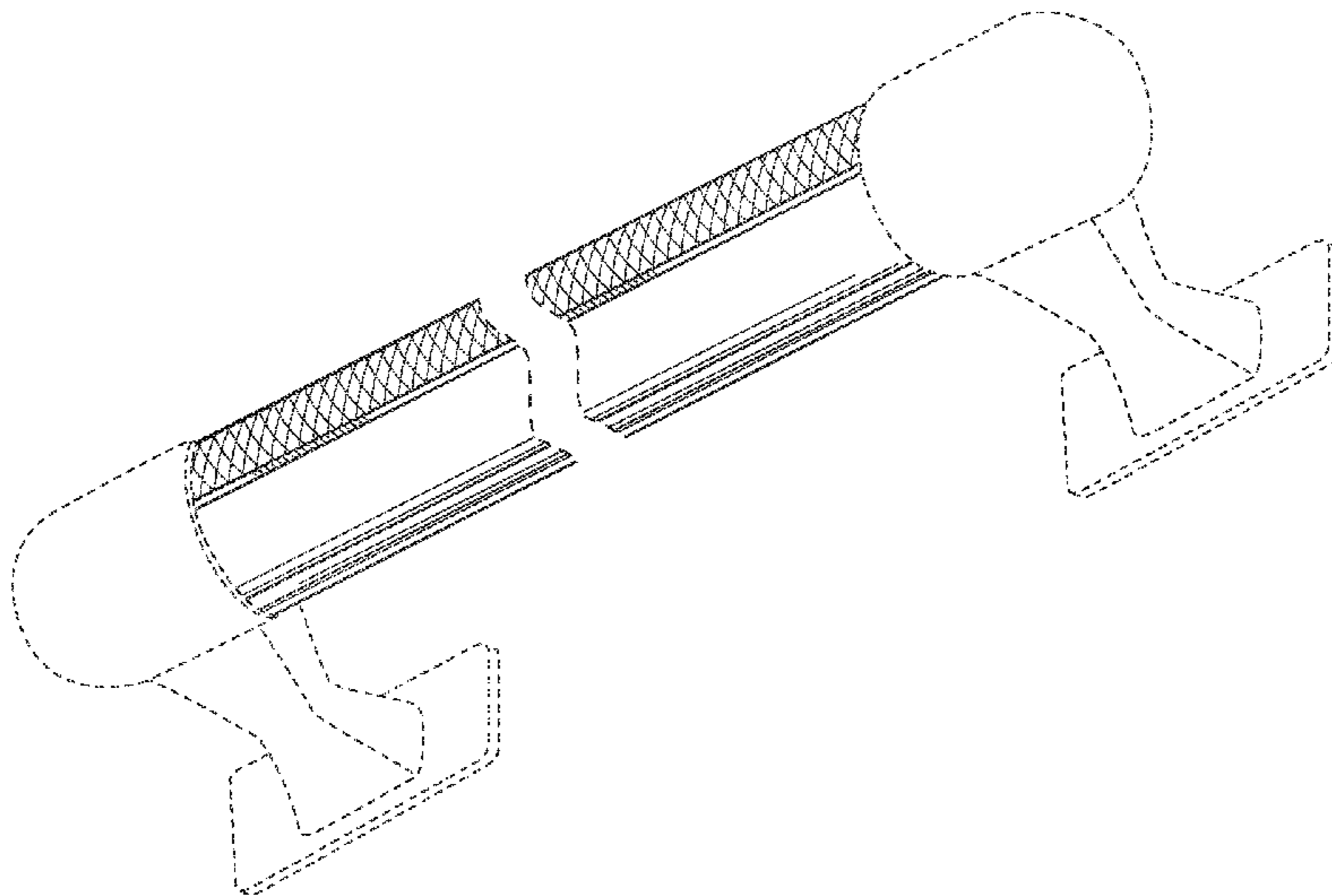
The ornamental design for a grab rail with two knurled portions and cavity for light, as shown and described.

DESCRIPTION

FIG. 1 is a perspective view of the grab rail with two knurled portions and cavity for light according to the present design; FIG. 2 is an alternate perspective view of the grab rail with two knurled portions and cavity for light of FIG. 1; FIG. 3 is an end view of the grab rail with two knurled portions and cavity for light of FIG. 1; FIG. 4 is a right or left side view of the grab rail with two knurled portions and cavity for light of FIG. 1; FIG. 5 is a top view of the grab rail with two knurled portions and cavity for light of FIG. 1; FIG. 6 is a bottom view of the grab rail with two knurled portions and cavity for light of FIG. 1; and, FIG. 7 is a perspective view of the grab rail with two knurled portions and cavity for light of FIG. 1, as installed using stanchions.

The claimed design comprises the elements shown in solid lines, the elements shown in dotted lines forming no part of the claimed design.

1 Claim, 3 Drawing Sheets



US D647,213 S

Page 2

U.S. PATENT DOCUMENTS

5,690,237	A	11/1997	Marzec				
D388,272	S	12/1997	Moore				
5,743,064	A *	4/1998	Bennett	52/718.04		
5,779,228	A	7/1998	Hansen				
D407,932	S	4/1999	Sweetman				
6,076,233	A	6/2000	Sasaki et al.				
D450,113	S	11/2001	Teskey				
6,523,888	B1	2/2003	Yan et al.				
6,554,338	B1	4/2003	Spence				
D474,281	S	5/2003	Hansen				
D476,097	S	6/2003	Yan				
D477,482	S	7/2003	Green				
D481,235	S	10/2003	Gilbert				
6,647,594	B1	11/2003	Deb et al.				
D483,462	S	12/2003	Teskey				
D484,955	S	1/2004	Shimizu				
D486,583	S	2/2004	Self et al.				
D491,672	S *	6/2004	Self et al.	D25/41		
D491,676	S	6/2004	Self et al.				
6,758,584	B2	7/2004	Bach et al.				
D518,183	S *	3/2006	Hsieh	D25/38		
7,007,366	B1	3/2006	Eby				
D529,323	S	10/2006	Gilbert				
7,124,451	B2	10/2006	Moore				
D536,597	S	2/2007	Berlovan et al.				
D541,391	S	4/2007	Sladick et al.				
D559,653	S	1/2008	Reichling et al.				
D621,955	S	8/2010	Seehof				
2003/0110716	A1 *	6/2003	Hansen	52/184		
2007/0061959	A1	3/2007	Berlovan				

* cited by examiner

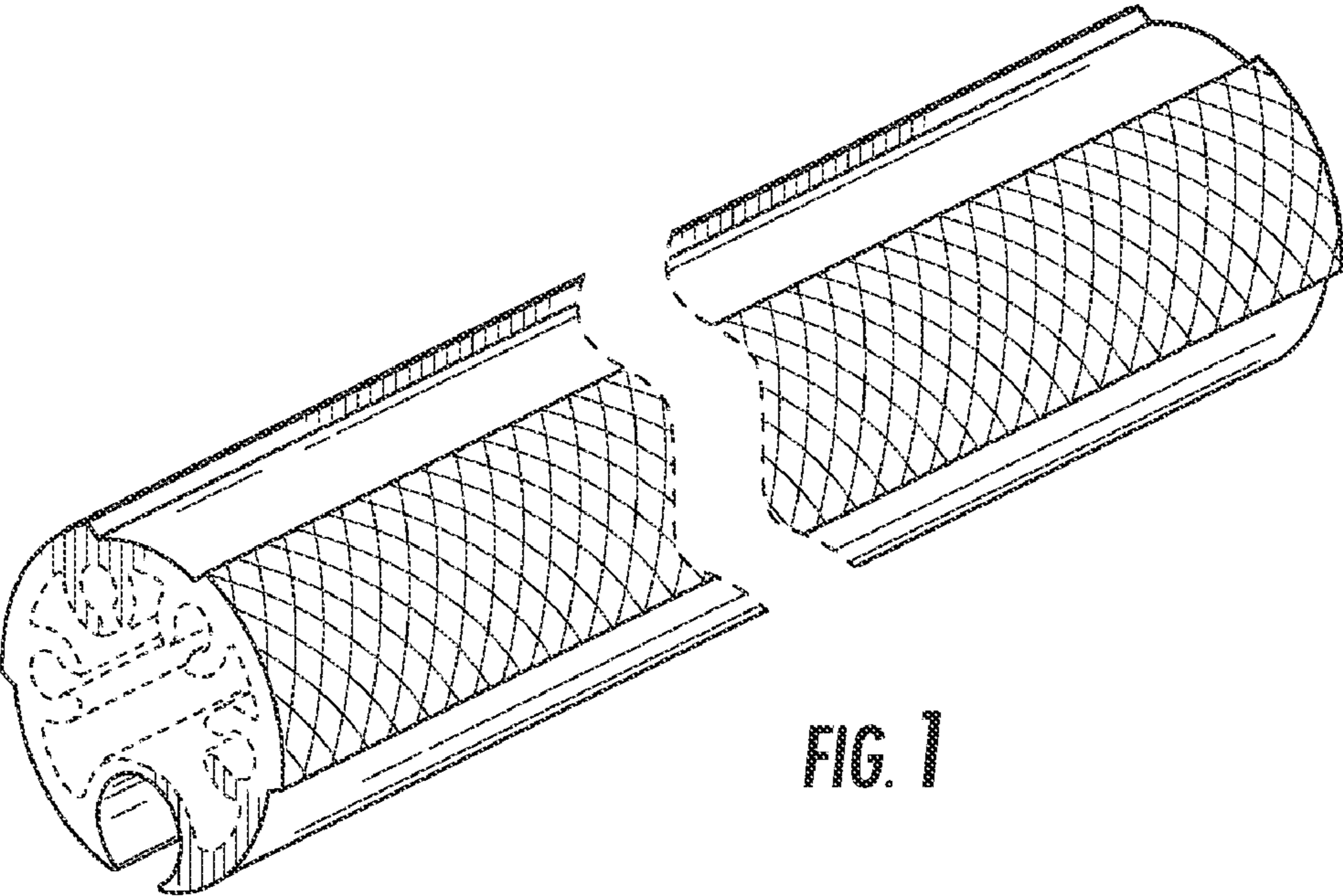


FIG. 1

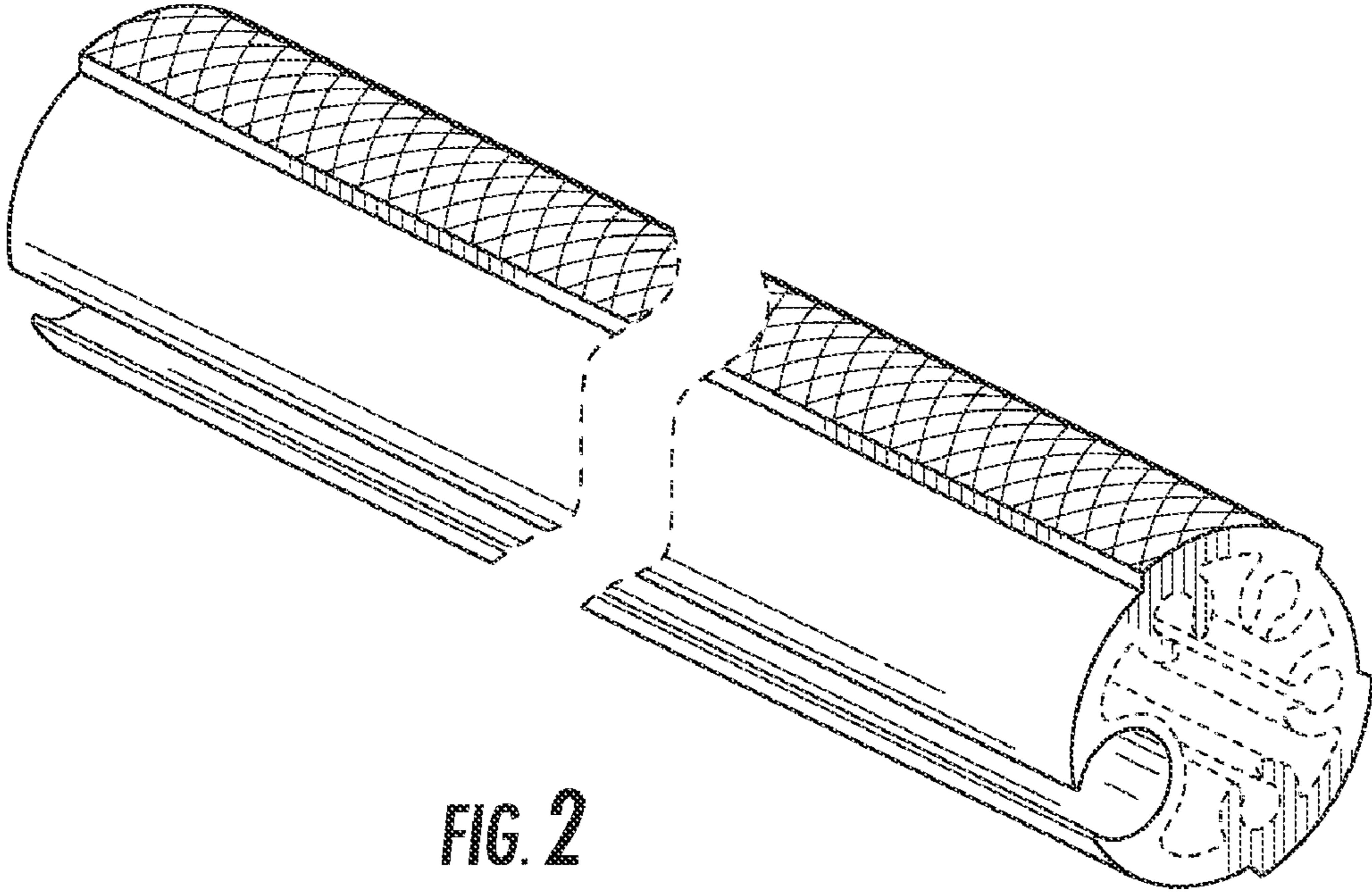


FIG. 2

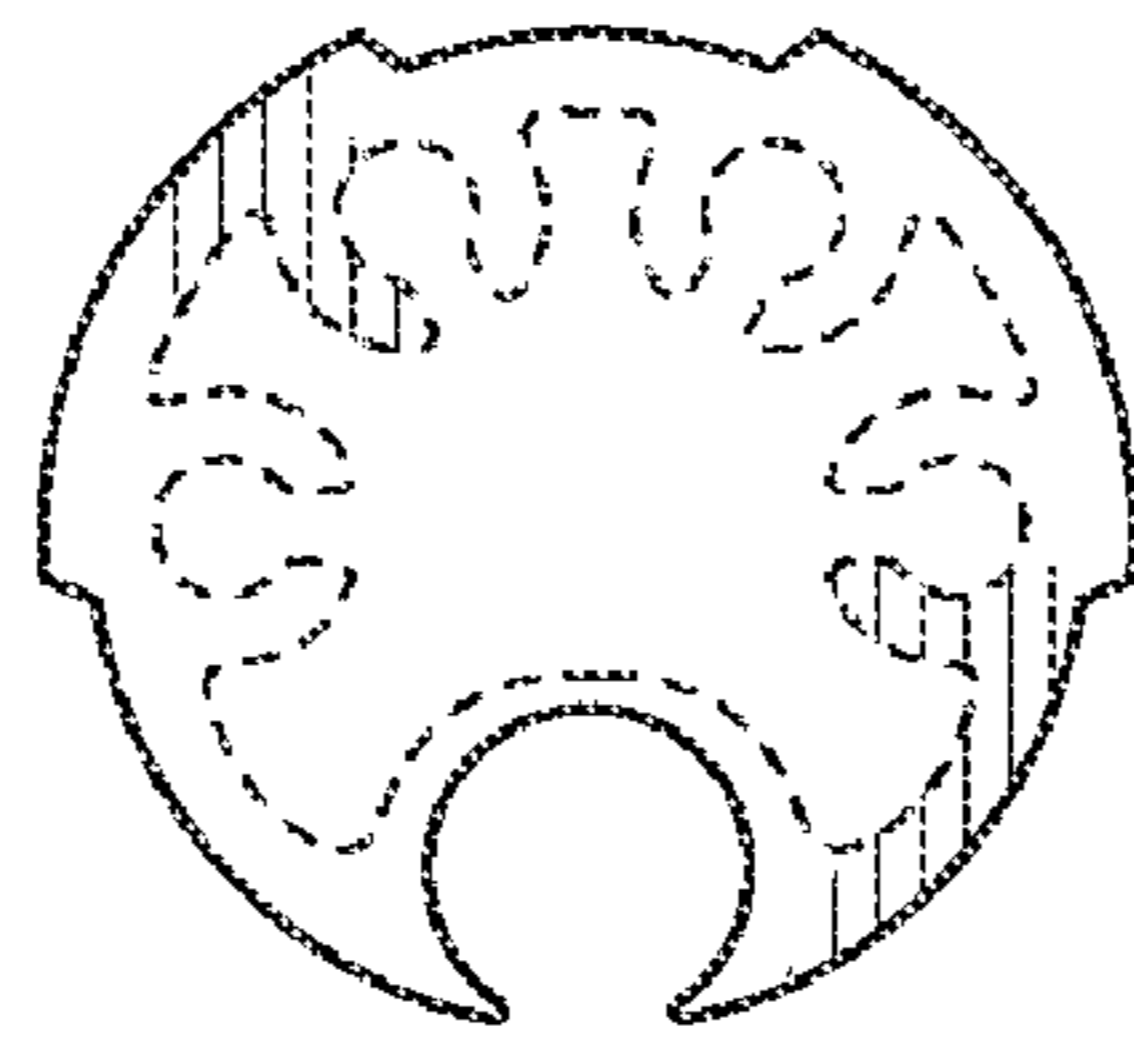


FIG. 3

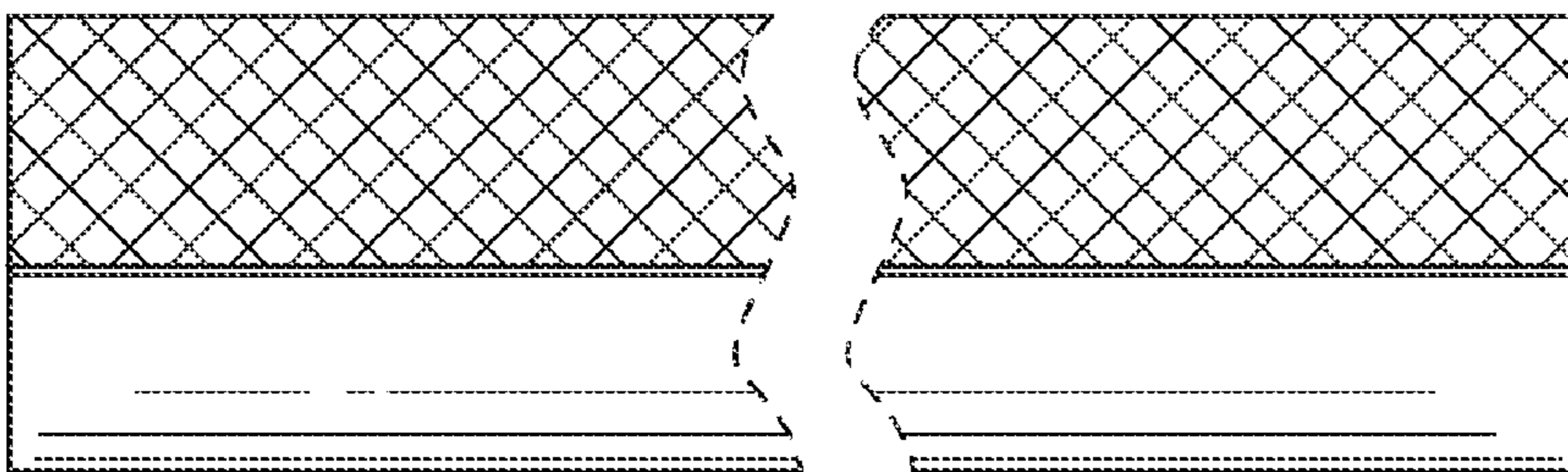


FIG. 4

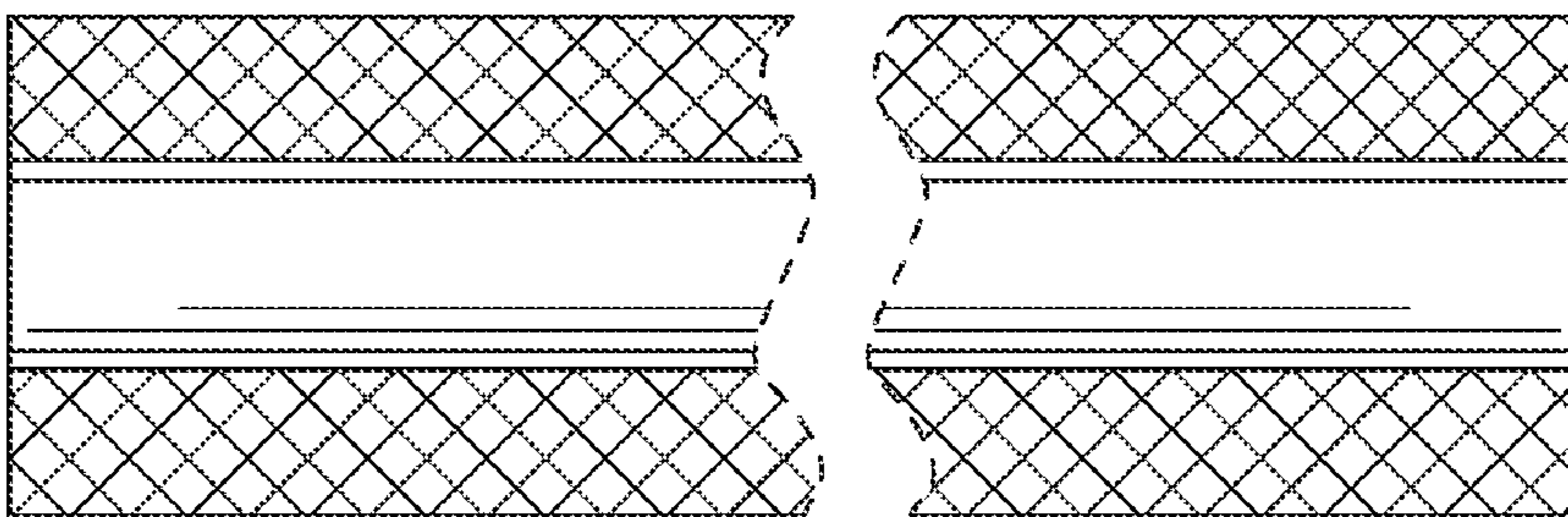


FIG. 5

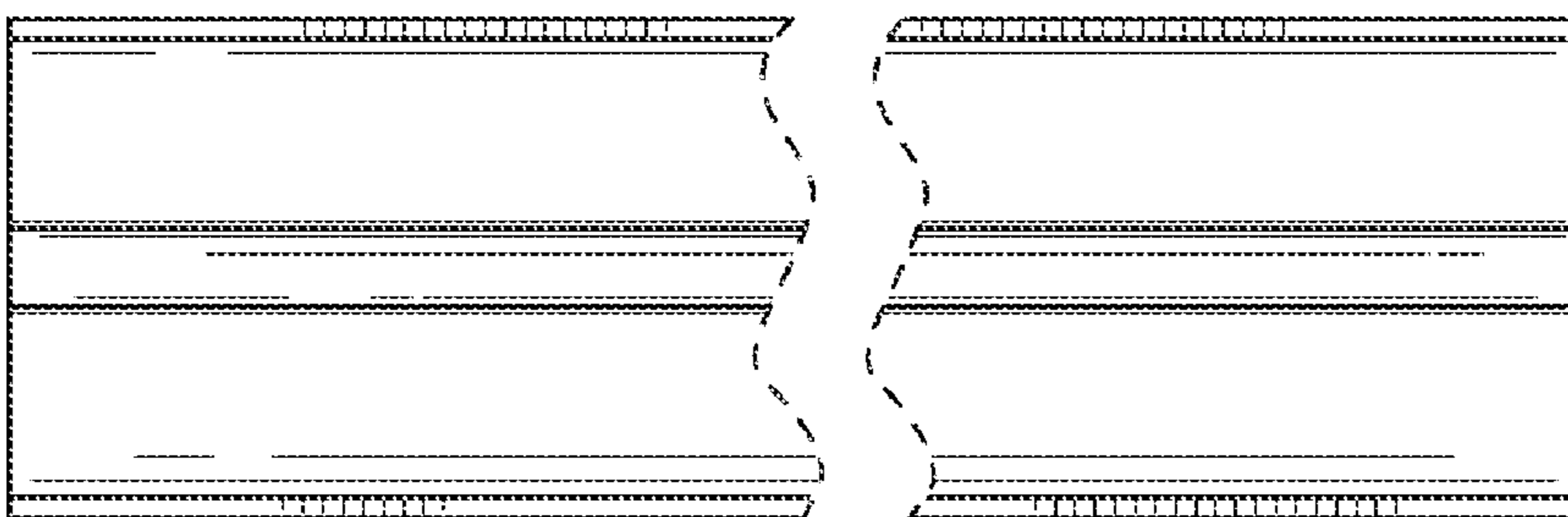


FIG. 6

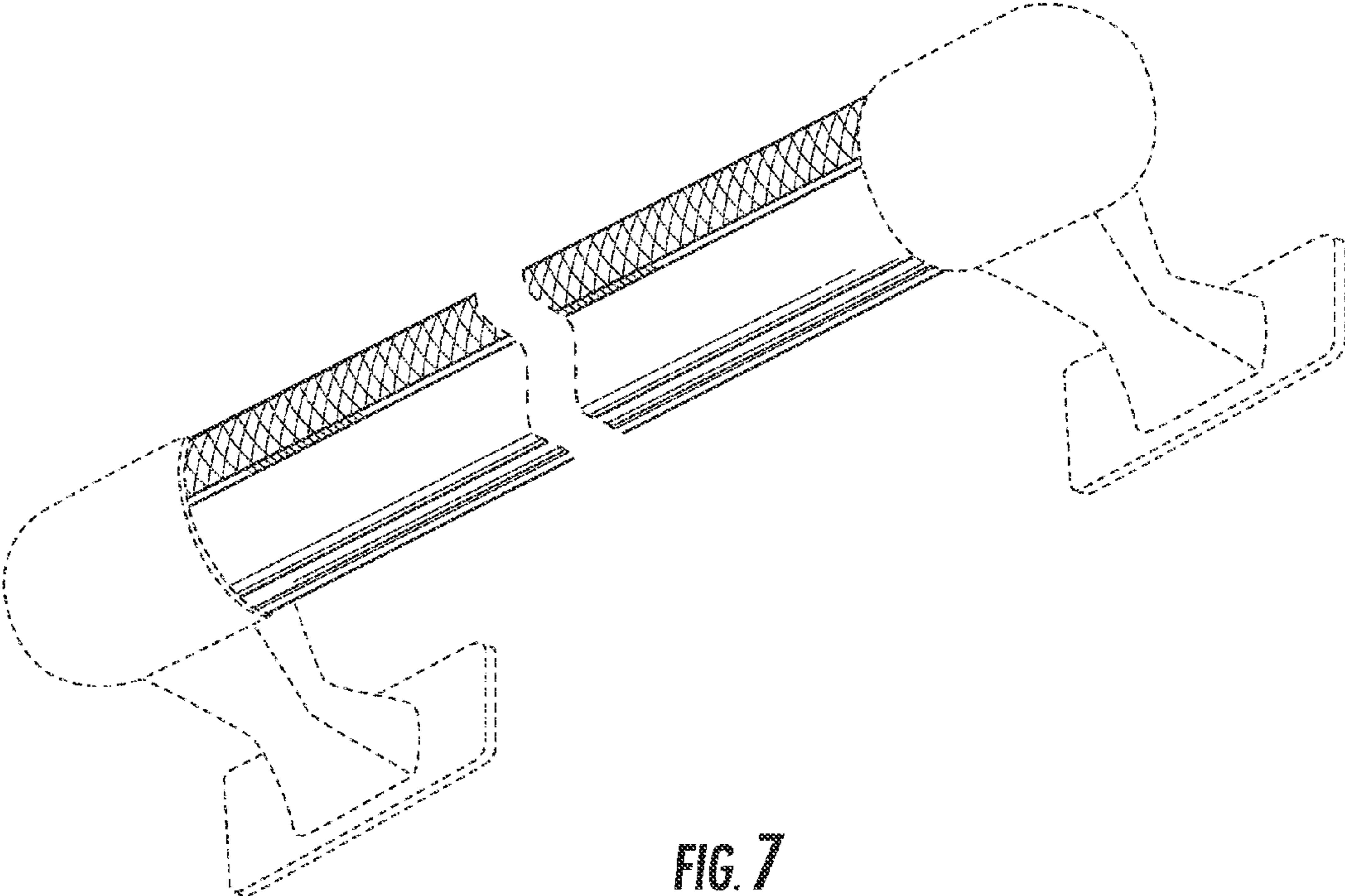


FIG. 7