



US00D647212S

(12) **United States Design Patent**  
**Lavelle**

(10) **Patent No.:** **US D647,212 S**  
(45) **Date of Patent:** **\*\* Oct. 18, 2011**

(54) **SURGICAL TRAY CORNER PROTECTOR**  
(76) Inventor: **Richard M. Lavelle**, Wexford, PA (US)  
(\*\*) Term: **14 Years**

4,496,054 A 1/1985 Koltun  
4,529,091 A 7/1985 Martin  
D287,446 S 12/1986 Cowle  
4,742,916 A 5/1988 Galea  
4,838,427 A 6/1989 Hurley  
(Continued)

(21) Appl. No.: **29/384,773**

(22) Filed: **Feb. 3, 2011**

(51) **LOC (9) Cl.** ..... **24-02**

(52) **U.S. Cl.** ..... **D24/227; D8/403**

(58) **Field of Classification Search** ..... D24/127,  
D24/140, 183-184, 216, 227-232; 422/98-102,  
422/26, 28, 40, 292, 297, 302; D8/403; D25/199;  
D12/167, 172; 54/24, 26; 428/99, 199;  
206/453, 586, 557-567

See application file for complete search history.

**FOREIGN PATENT DOCUMENTS**

EP 0143299 6/1985  
(Continued)

**OTHER PUBLICATIONS**

HMARK, UnderGuard Tray Corners, 2006, p. 19, US.

*Primary Examiner* — T. Chase Nelson

*Assistant Examiner* — Mark Cavanna

(74) *Attorney, Agent, or Firm* — Trego, Hines & Ladenheim, PLLC

(56) **References Cited**

**U.S. PATENT DOCUMENTS**

1,320,205 A 10/1919 Cochrane  
1,546,680 A 7/1925 Sessions  
2,080,630 A 5/1937 Nathanson  
3,030,728 A 4/1961 Wesman  
D191,133 S 8/1961 Marx  
2,995,863 A 8/1961 Bright  
3,137,087 A 6/1964 Shroyer  
D220,166 S 3/1971 Griffith  
3,655,113 A 4/1972 Carroll  
3,725,188 A 4/1973 Kalt  
3,762,626 A 10/1973 Dorsey  
3,822,036 A 7/1974 Goodsite  
3,843,038 A 10/1974 Sax  
3,870,152 A 3/1975 Kaplan  
3,955,677 A 5/1976 Collingwood  
3,960,354 A 6/1976 Simikoski  
3,975,564 A 8/1976 Jones  
3,994,433 A 11/1976 Jenkins et al.  
4,072,231 A 2/1978 Helms  
D249,314 S 9/1978 Wilde et al.  
D253,506 S 11/1979 Vigue  
D260,590 S 9/1981 Hobson  
4,287,265 A 9/1981 McKnight

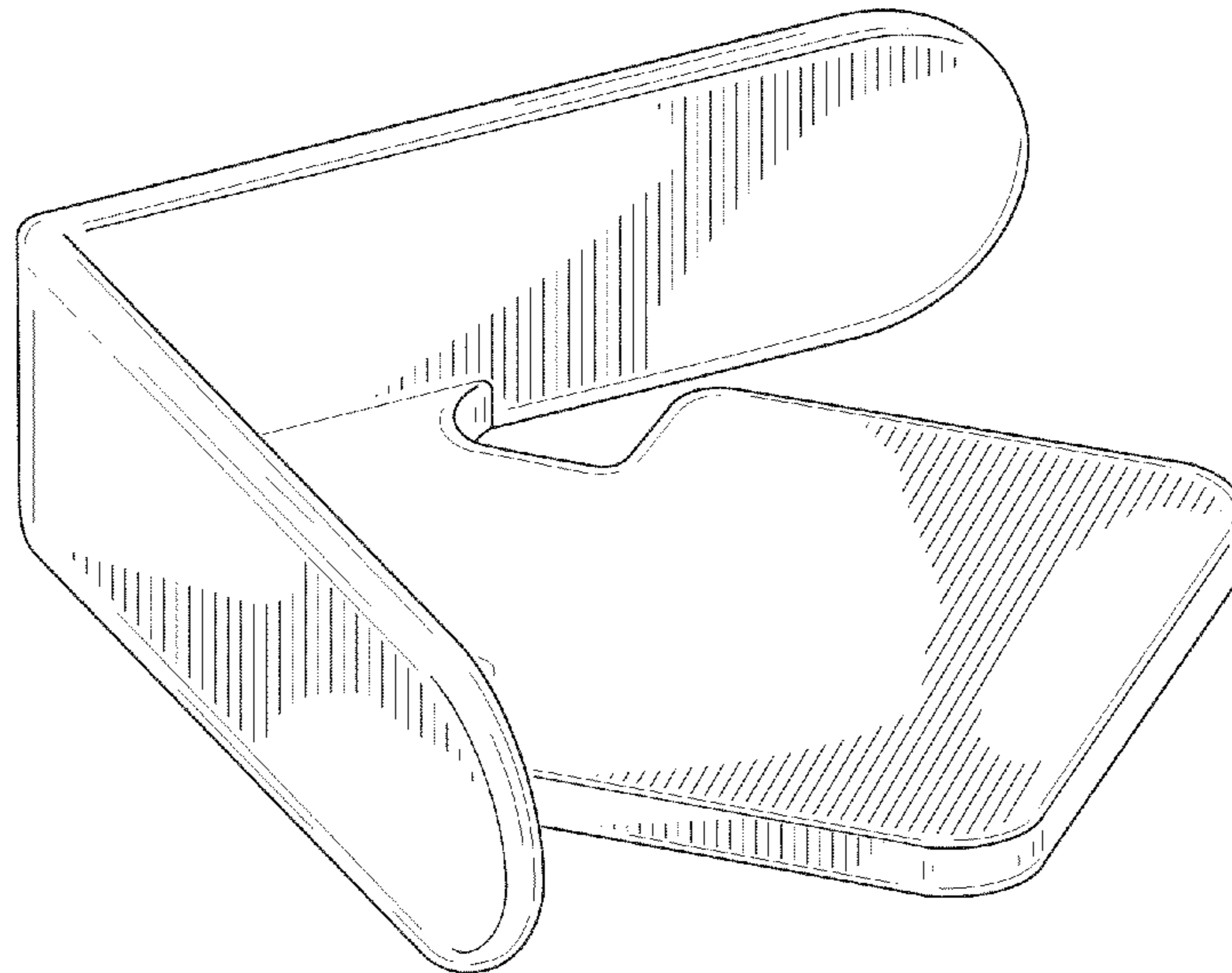
(57) **CLAIM**

I claim the ornamental design for a surgical tray corner protector, as shown and described.

**DESCRIPTION**

FIG. 1 is a perspective view of a surgical tray corner protector, showing my design;  
FIG. 2 is a top view of the surgical tray corner protector of FIG. 1;  
FIG. 3 is a bottom view of the surgical tray corner protector of FIG. 1;  
FIG. 4 is a rear elevation of the surgical tray corner protector of FIG. 1;  
FIG. 5 is a left elevation of the surgical tray corner protector of FIG. 1;  
FIG. 6 is a right elevation of the surgical tray corner protector of FIG. 1; and,  
FIG. 7 is a front elevation of the surgical tray corner protector of FIG. 1.

**1 Claim, 3 Drawing Sheets**



# US D647,212 S

Page 2

## U.S. PATENT DOCUMENTS

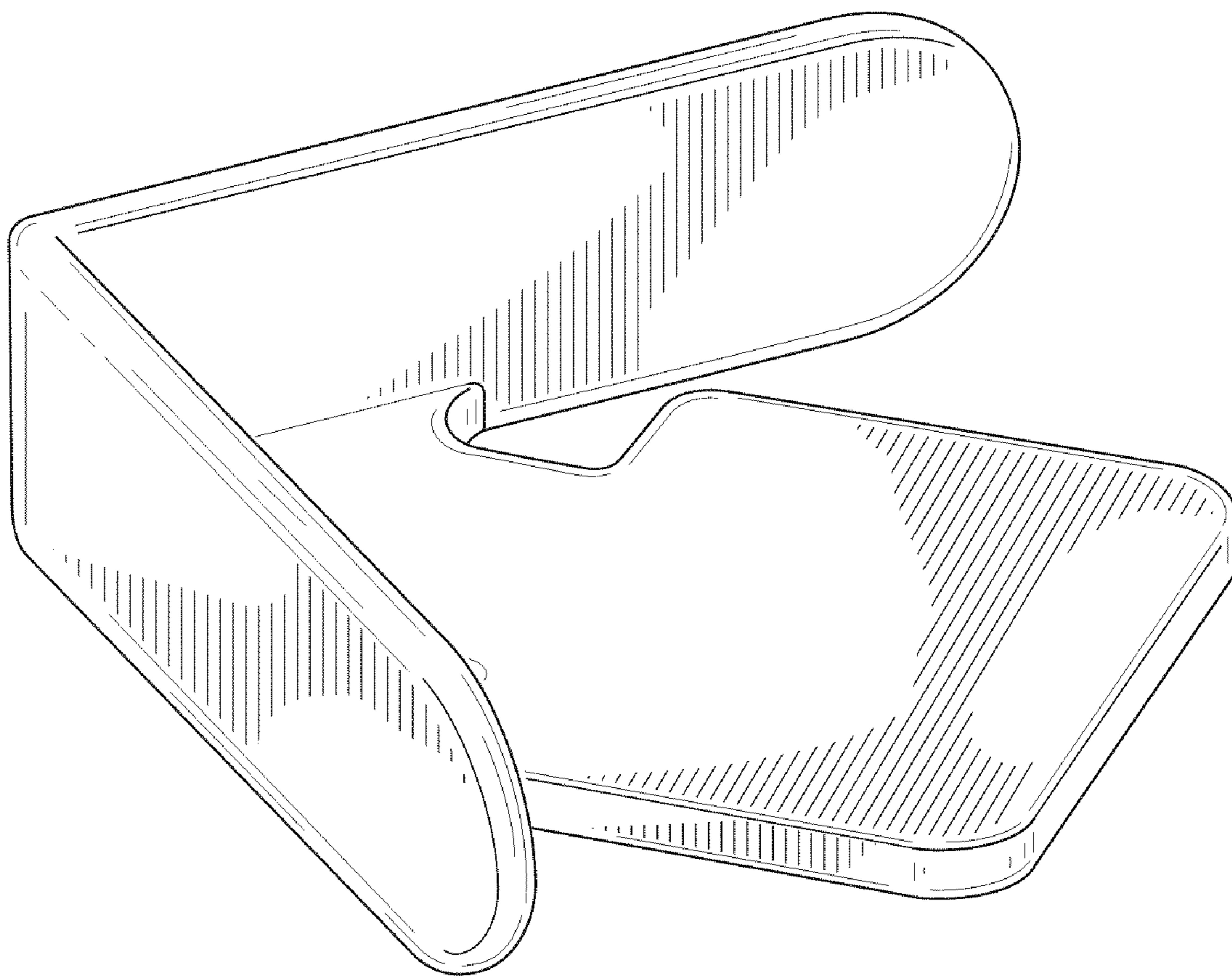
4,851,286	A	7/1989	Maurice	
4,852,744	A	8/1989	Van Breemen	
5,175,041	A	12/1992	Webb et al.	
5,297,682	A	3/1994	Miltenberger	
5,311,825	A	5/1994	Bonham	
5,370,229	A	12/1994	Kroeckel et al.	
D356,946	S	4/1995	Rekuc	
5,549,868	A	8/1996	Carlson, II	
D384,585	S	10/1997	Swarr	
D385,179	S *	10/1997	Brandes	D8/403
5,749,512	A	5/1998	Gingras-Taylor	
5,772,037	A	6/1998	Hurley	
5,868,372	A	2/1999	Novak et al.	
D412,436	S	8/1999	Tsui	
D416,476	S	11/1999	Engberg	
6,007,469	A	12/1999	Jaegers et al.	
6,039,184	A	3/2000	Gale	
6,103,335	A	8/2000	Zoller et al.	
6,202,848	B1	3/2001	Tindoll et al.	
6,368,694	B1	1/2002	Marsh et al.	
D454,371	S	3/2002	Goodman et al.	
6,440,375	B1	8/2002	Davis et al.	
6,470,637	B2	10/2002	Gratz	
6,478,354	B1	11/2002	Eyal	
D473,498	S *	4/2003	Breckner et al.	D12/172
D475,613	S	6/2003	Mullane	
D481,304	S *	10/2003	Drake	D8/403
6,629,608	B2	10/2003	Hurley et al.	
D489,969	S *	5/2004	Gelbart	D8/403

6,776,380	B1	8/2004	Kirk, Jr. et al.	
D499,674	S *	12/2004	Breckner et al.	D12/167
6,840,372	B2	1/2005	Giles et al.	
6,902,712	B2	6/2005	Davis	
D518,526	S	4/2006	Benn	
D535,753	S *	1/2007	Bennison	D24/217
D535,754	S *	1/2007	Bennison	D24/217
D537,337	S	2/2007	Brockington et al.	
D560,485	S	1/2008	Lavelle	
D560,486	S *	1/2008	Ray et al.	D8/403
D573,013	S *	7/2008	Lavelle	D8/403
7,413,157	B2	8/2008	Curnow et al.	
7,422,185	B2	9/2008	Curnow et al.	
D598,756	S	8/2009	Robichaud et al.	
D602,350	S *	10/2009	Lavelle	D8/403
D612,057	S *	3/2010	Meschenmoser et al.	D24/172
D612,718	S *	3/2010	Lavelle	D8/403
D618,995	S *	7/2010	Lavelle	D8/403
D619,258	S *	7/2010	Meschenmoser et al.	D24/172
D624,813	S *	10/2010	Lavelle	D8/403
2005/0244316	A1	11/2005	Davis	
2006/0000745	A1	1/2006	Seelye et al.	
2006/0243636	A1	11/2006	Robichaud et al.	
2007/0251855	A1	11/2007	Curnow et al.	

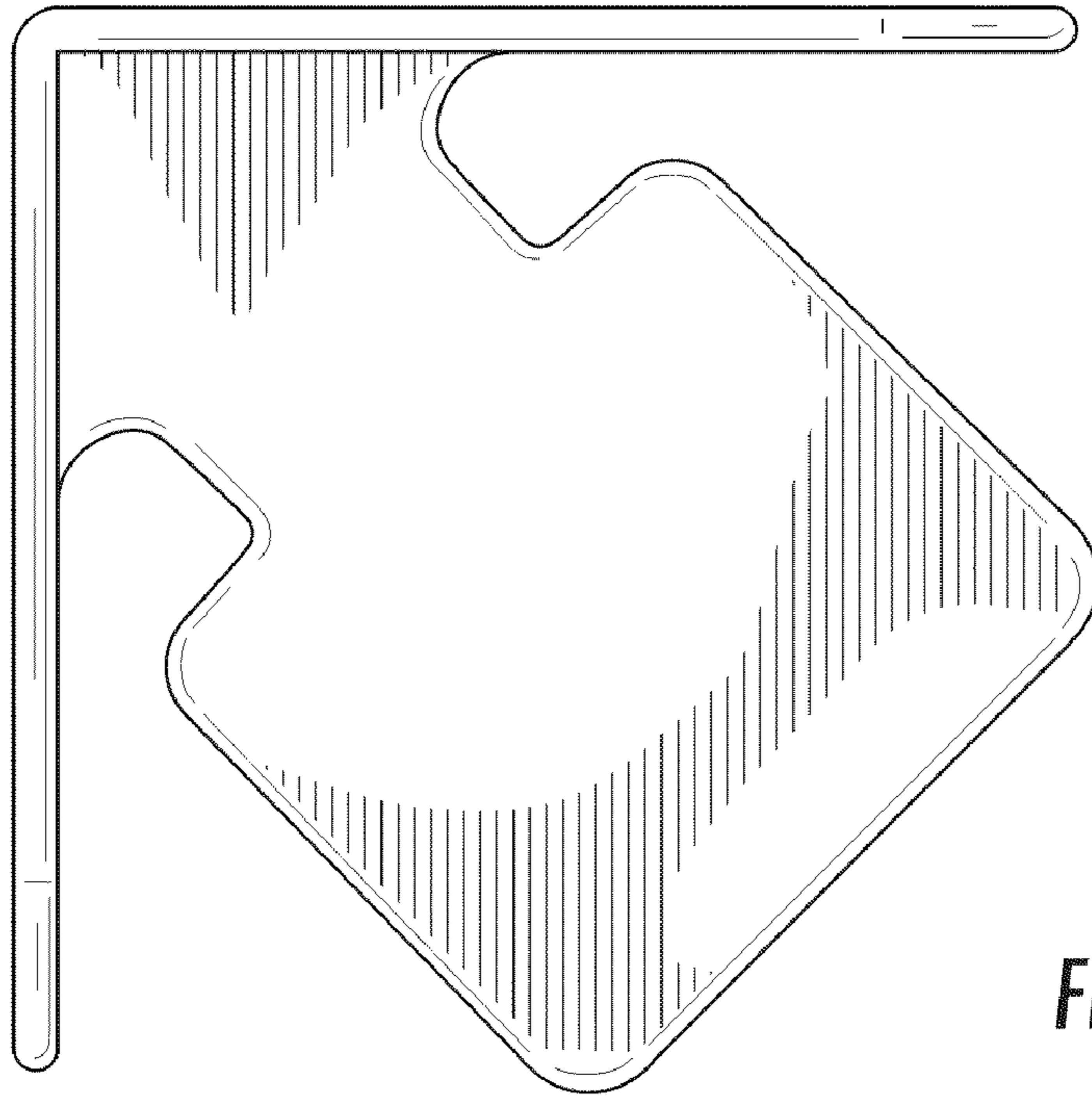
## FOREIGN PATENT DOCUMENTS

EP	1357056	10/2003
WO	9410058	5/1994
WO	2007019233	2/2007

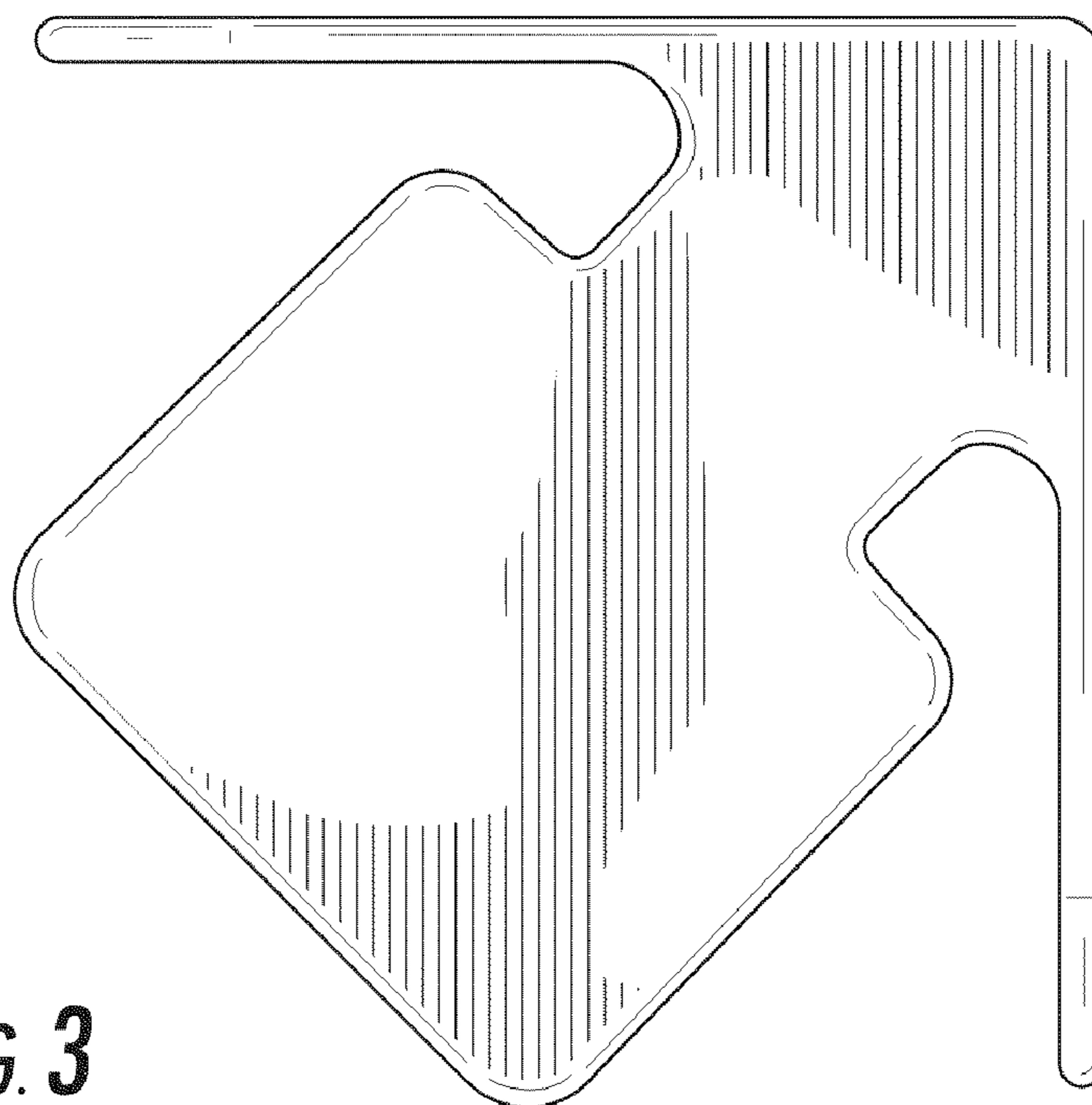
\* cited by examiner



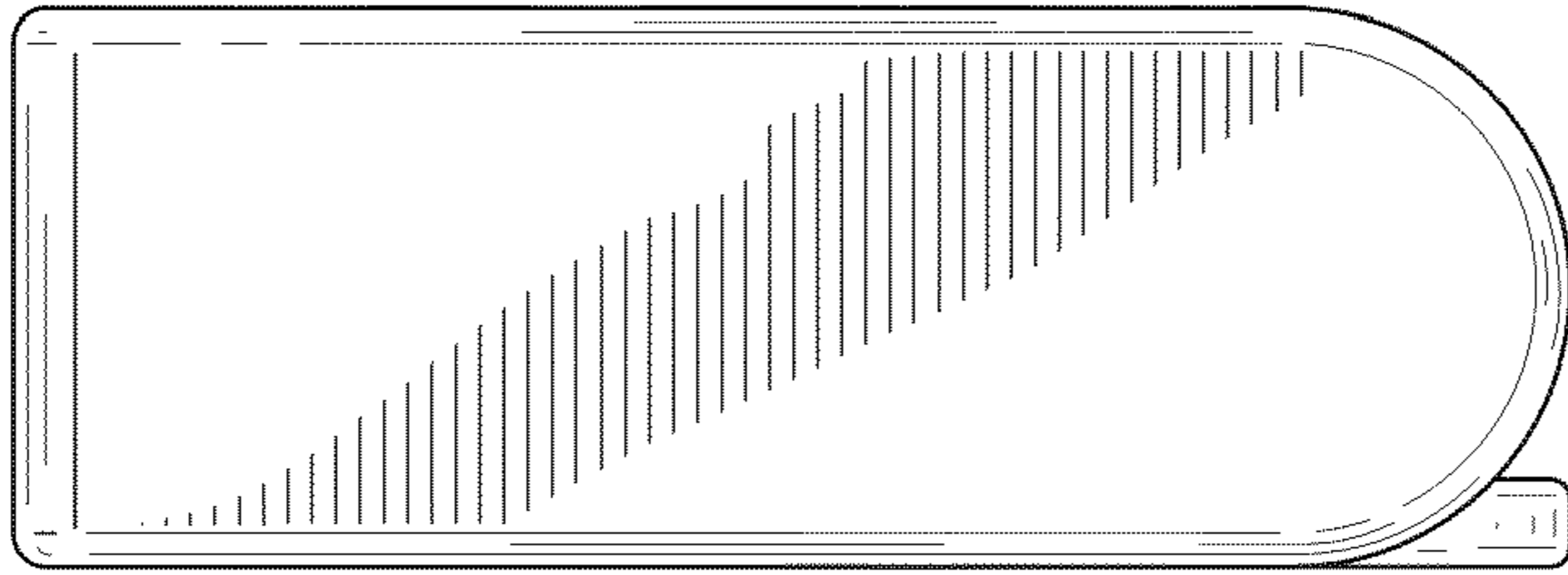
**FIG. 1**



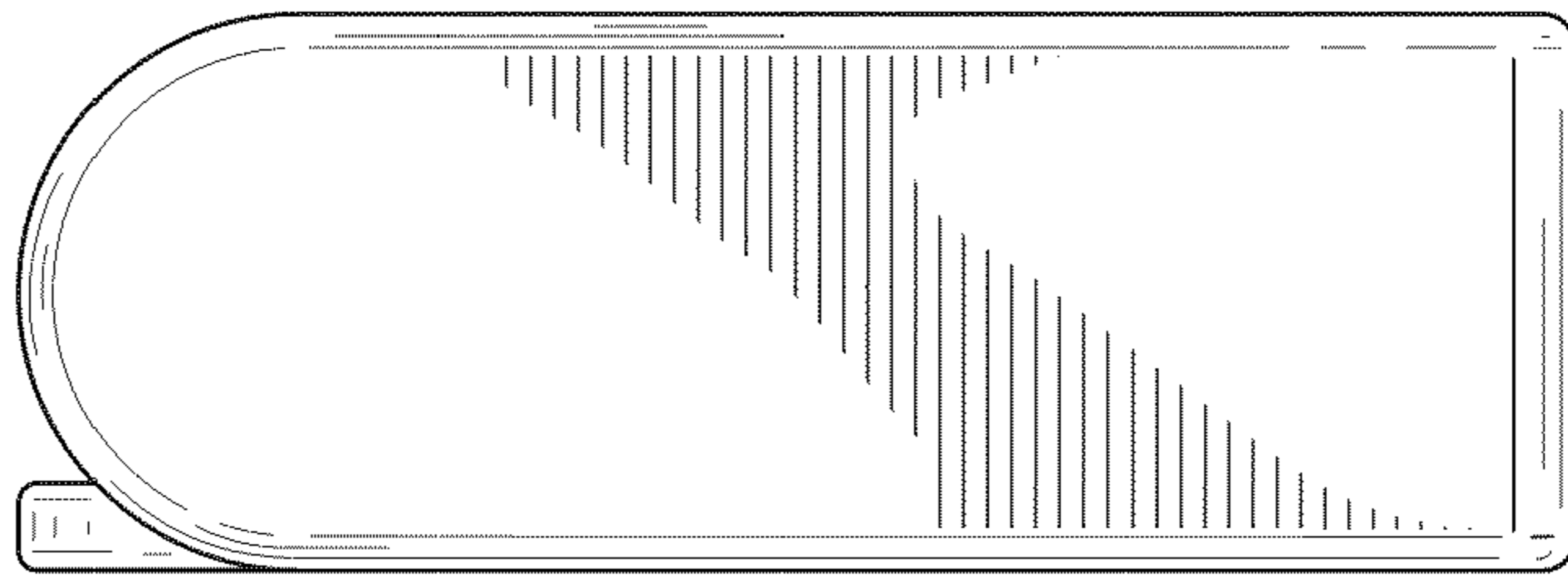
**FIG. 2**



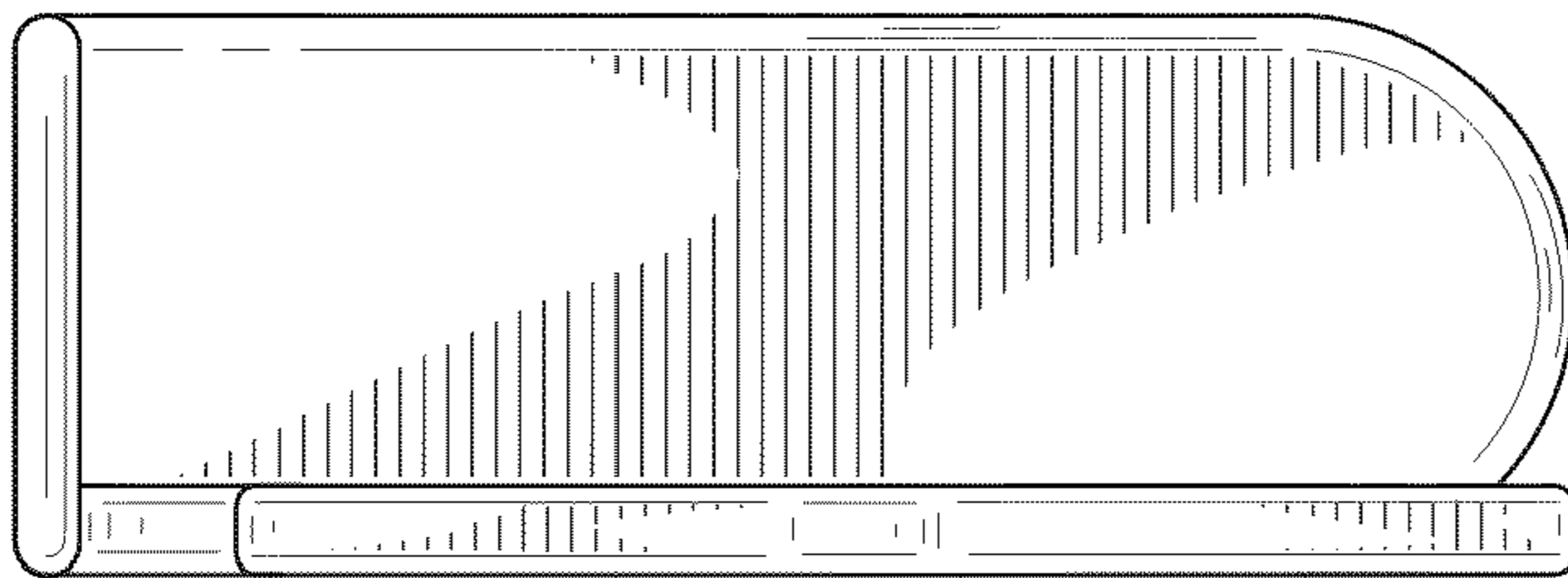
**FIG. 3**



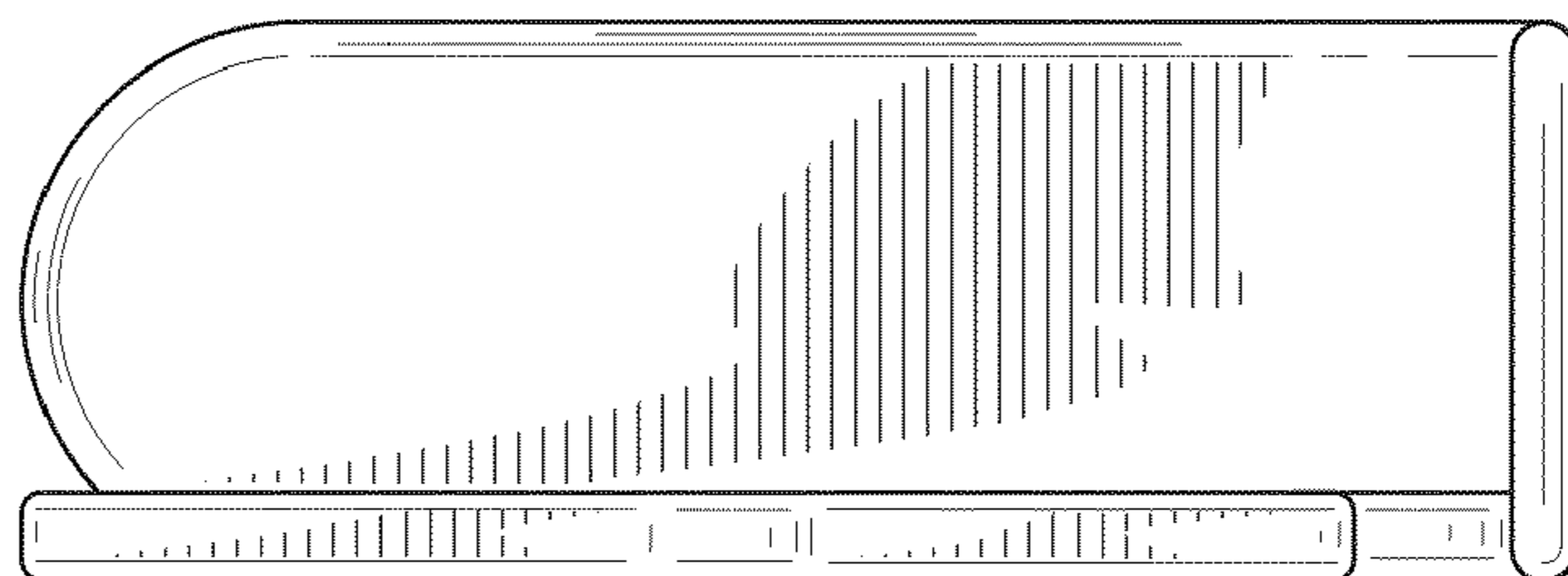
**FIG. 4**



**FIG. 5**



**FIG. 6**



**FIG. 7**