



US00D647211S

(12) **United States Design Patent**
Belfance et al.

(10) **Patent No.:** **US D647,211 S**

(45) **Date of Patent:** **** Oct. 18, 2011**

(54) **VIAL**

(75) Inventors: **John Belfance**, Phenix City, AL (US);
Ronald Supranowicz, Lenox, MA (US)

(73) Assignee: **CSP Technologies, Inc.**, Auburn, AL
(US)

(**) Term: **14 Years**

(21) Appl. No.: **29/385,043**

(22) Filed: **Feb. 8, 2011**

(51) **LOC (9) Cl.** **24-01**

(52) **U.S. Cl.** **D24/224**

(58) **Field of Classification Search** D24/216–232;
D3/201, 203.1, 203.2, 203.5, 265; D10/81;
422/500, 547, 550, 558; D9/420, 423, 435,
D9/439, 446, 529, 549, 558, 574, 686, 503,
D9/504, 436, 438, 454; 215/235–237, 305,
215/306, 321, 382; 220/836, 839, 243, 244,
220/780, 833; D7/629; D8/330, 339, 342

See application file for complete search history.

(56) **References Cited**

U.S. PATENT DOCUMENTS

D292,232	S	*	10/1987	Forman et al.	D24/224
4,782,964	A	*	11/1988	Poore et al.	215/216
5,012,941	A		5/1991	Abrams		
D414,698	S	*	10/1999	Mogard et al.	D9/450
6,398,067	B1		6/2002	Belfance		
6,705,463	B1		3/2004	Bucholtz		
6,769,558	B1		8/2004	Bucholtz		
D541,426	S	*	4/2007	Sato et al.	D24/224
7,413,083	B2		8/2008	Belfance		
D599,032	S		8/2009	Bucholtz		
D608,011	S		1/2010	Giraud		
D618,362	S		6/2010	Giraud		
D621,951	S		8/2010	Bucholtz		
D627,081	S		11/2010	Giraud		
2006/0219727	A1		10/2006	Giraud		
2007/0051739	A1		3/2007	Giraud		

2007/0108210	A1	*	5/2007	Alvares et al.	220/780
2007/0196240	A1	*	8/2007	Boozer et al.	422/102
2007/0228061	A1		10/2007	Giraud		
2009/0095699	A1	*	4/2009	Milante	215/237
2009/0166312	A1		7/2009	Giraud		

FOREIGN PATENT DOCUMENTS

WO	0228736	4/2002
WO	2007109166	9/2007
WO	2009149324	10/2009
WO	2009140627	11/2009

* cited by examiner

Primary Examiner — Anhdao Doan

(74) *Attorney, Agent, or Firm* — Alissa L. Saenz

(57) **CLAIM**

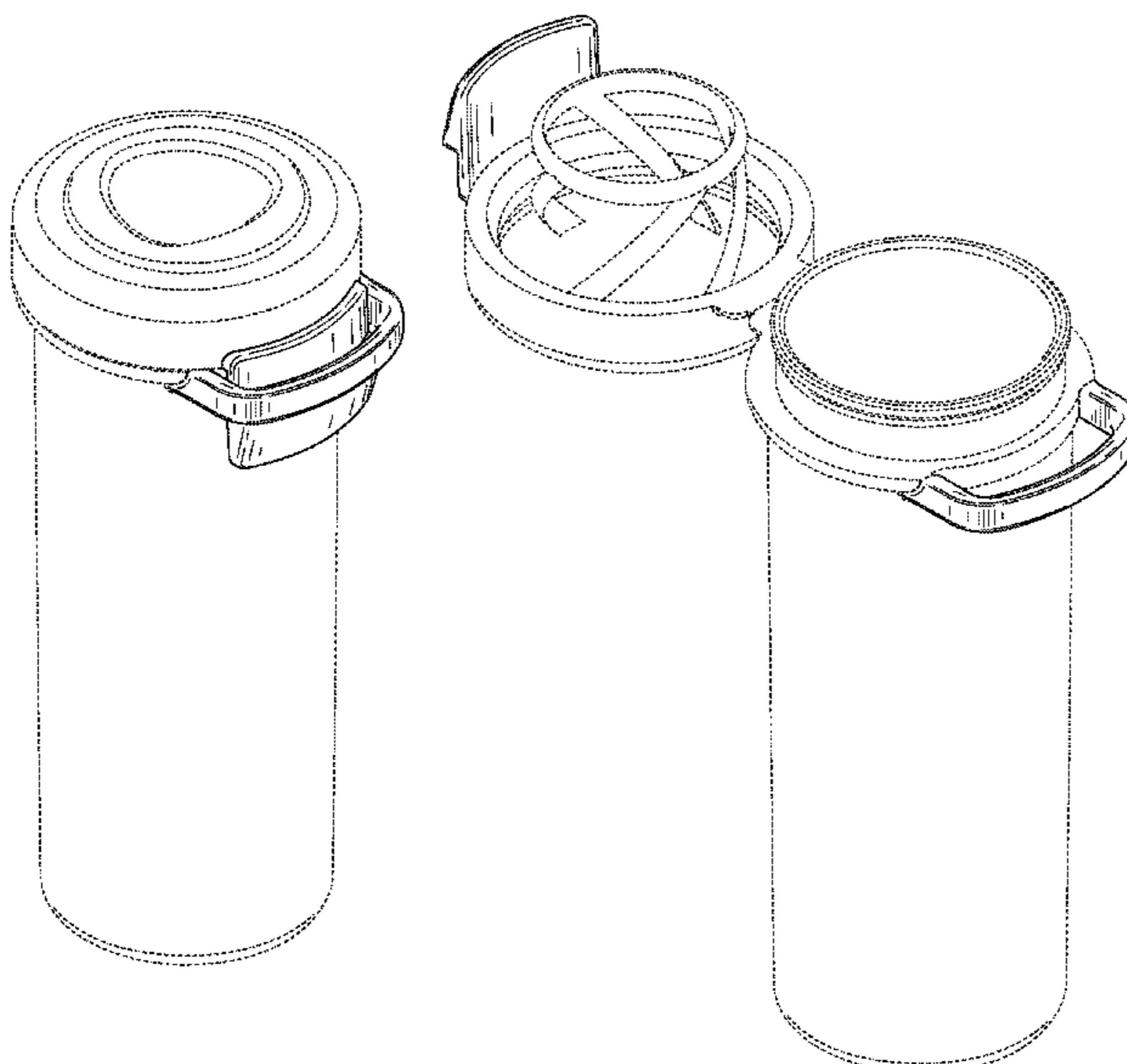
The ornamental design for a vial, as shown and described.

DESCRIPTION

FIG. 1 is a perspective view of a vial, in a closed state;
 FIG. 2 is a top plan view thereof;
 FIG. 3 is a bottom plan view thereof;
 FIG. 4 is a right side elevation view thereof;
 FIG. 5 is a front elevation view thereof;
 FIG. 6 is left side elevation view thereof;
 FIG. 7 is a rear elevation view thereof;
 FIG. 8 is a perspective view of the vial of FIG. 1, in an opened state;
 FIG. 9 is a top plan view thereof;
 FIG. 10 is a bottom plan view thereof;
 FIG. 11 is a right side elevation view thereof;
 FIG. 12 is a front elevation view thereof;
 FIG. 13 is left side elevation view thereof; and,
 FIG. 14 is a rear elevation view thereof.

The dash-dot lines represent the bounds of the claim, and other broken lines are included for the purpose of illustrating the unclaimed portions of the vial. None of the broken lines form a part of the claimed design.

1 Claim, 12 Drawing Sheets



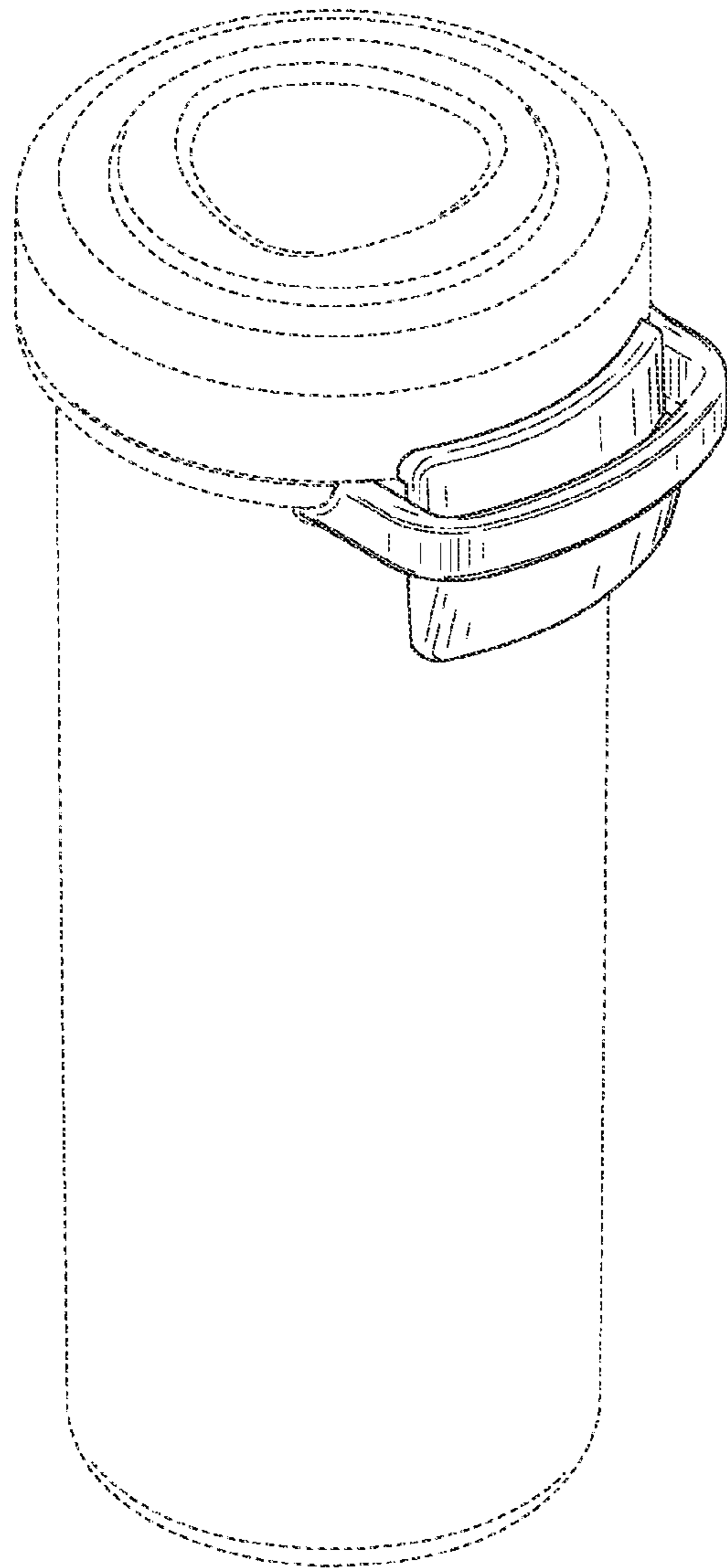


FIG. 1

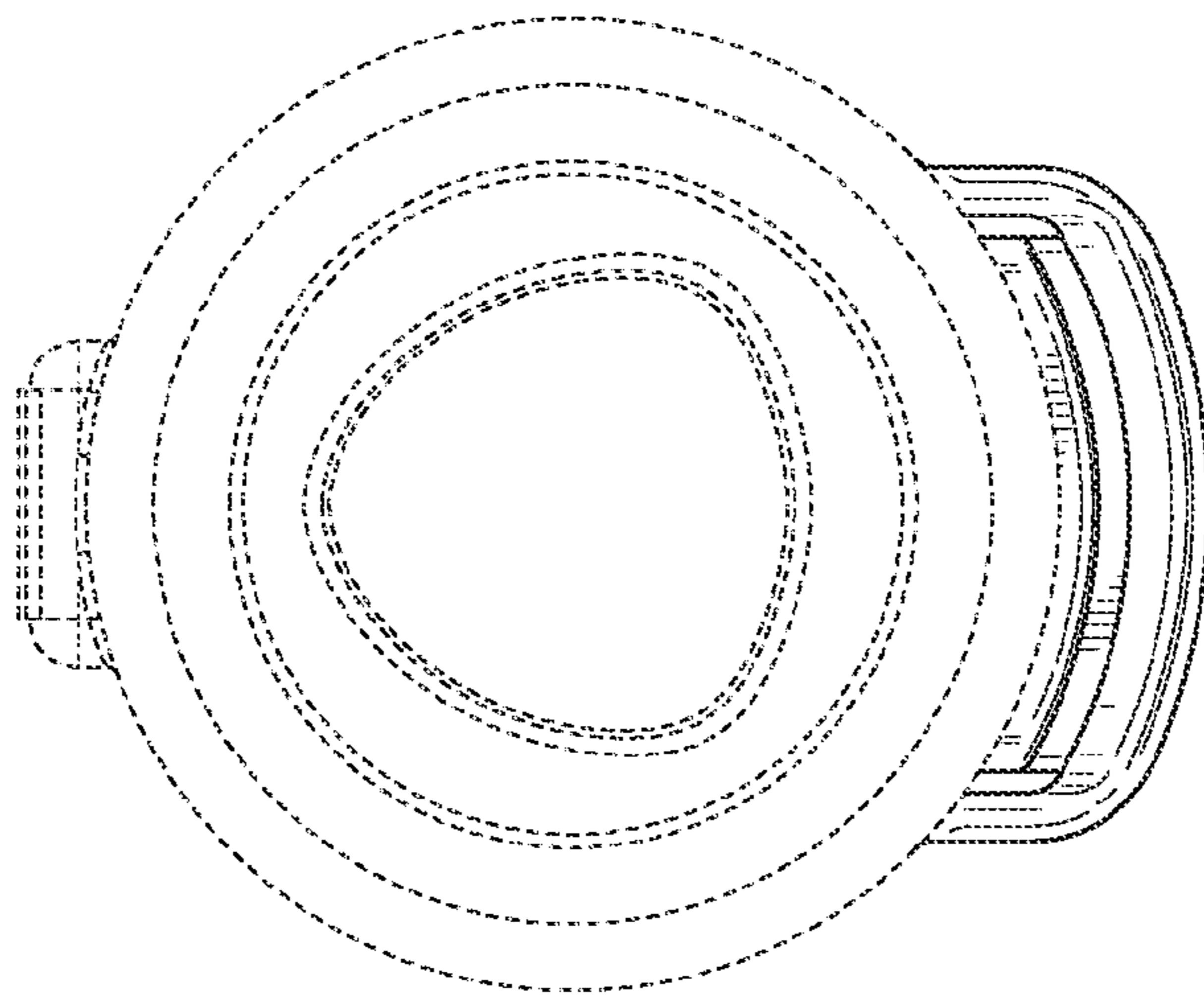


FIG. 2

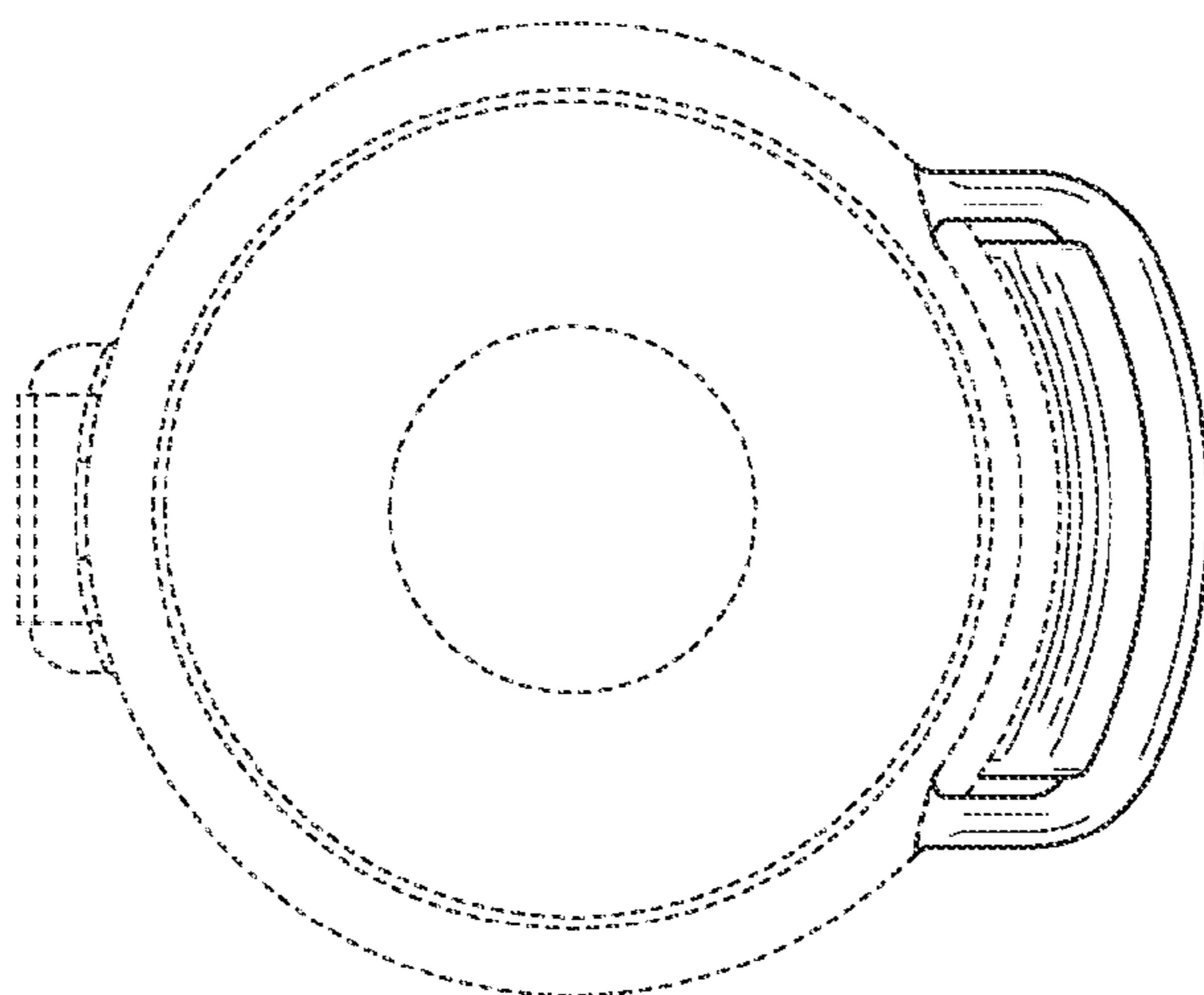


FIG. 3

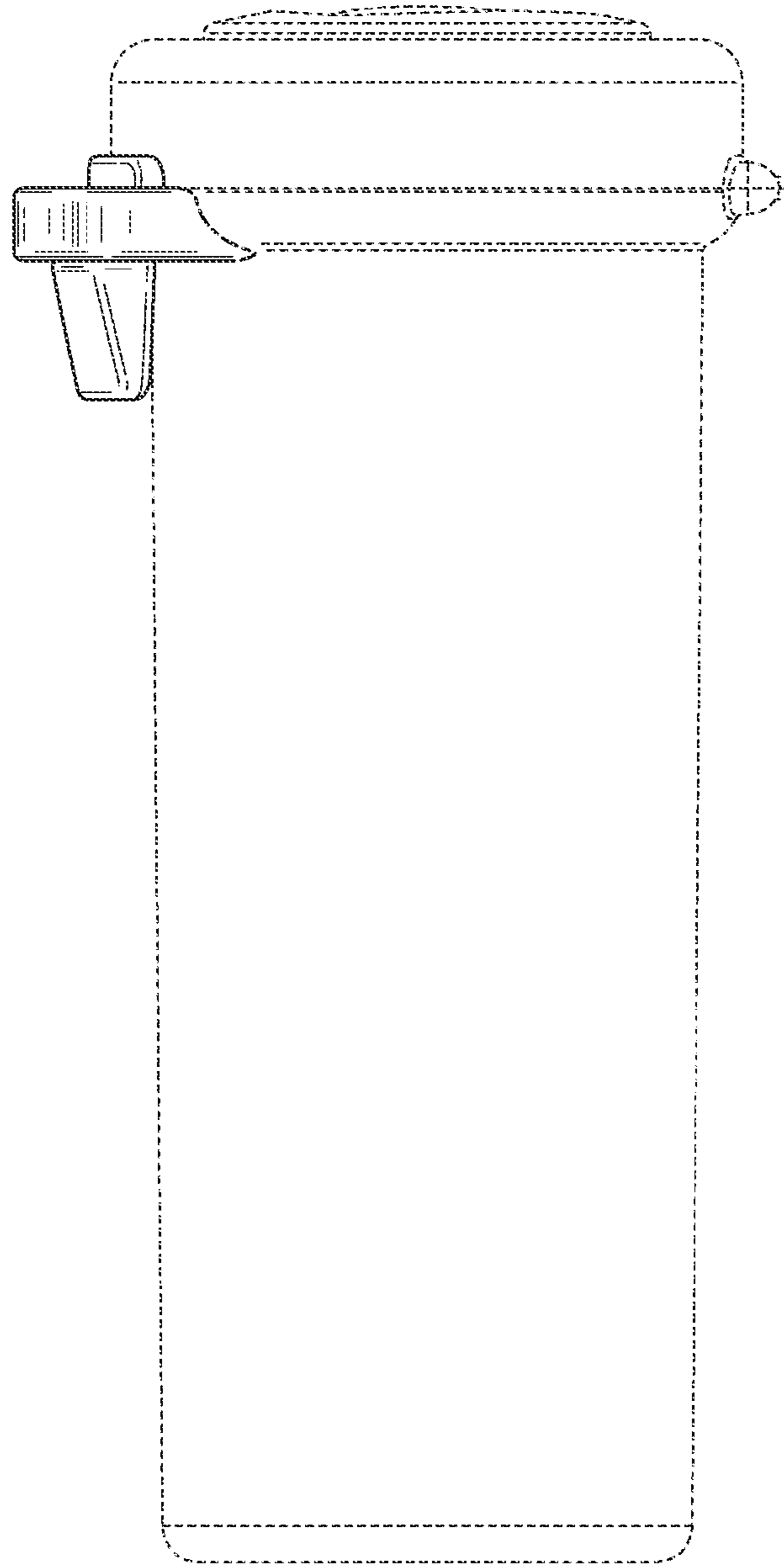


FIG. 4

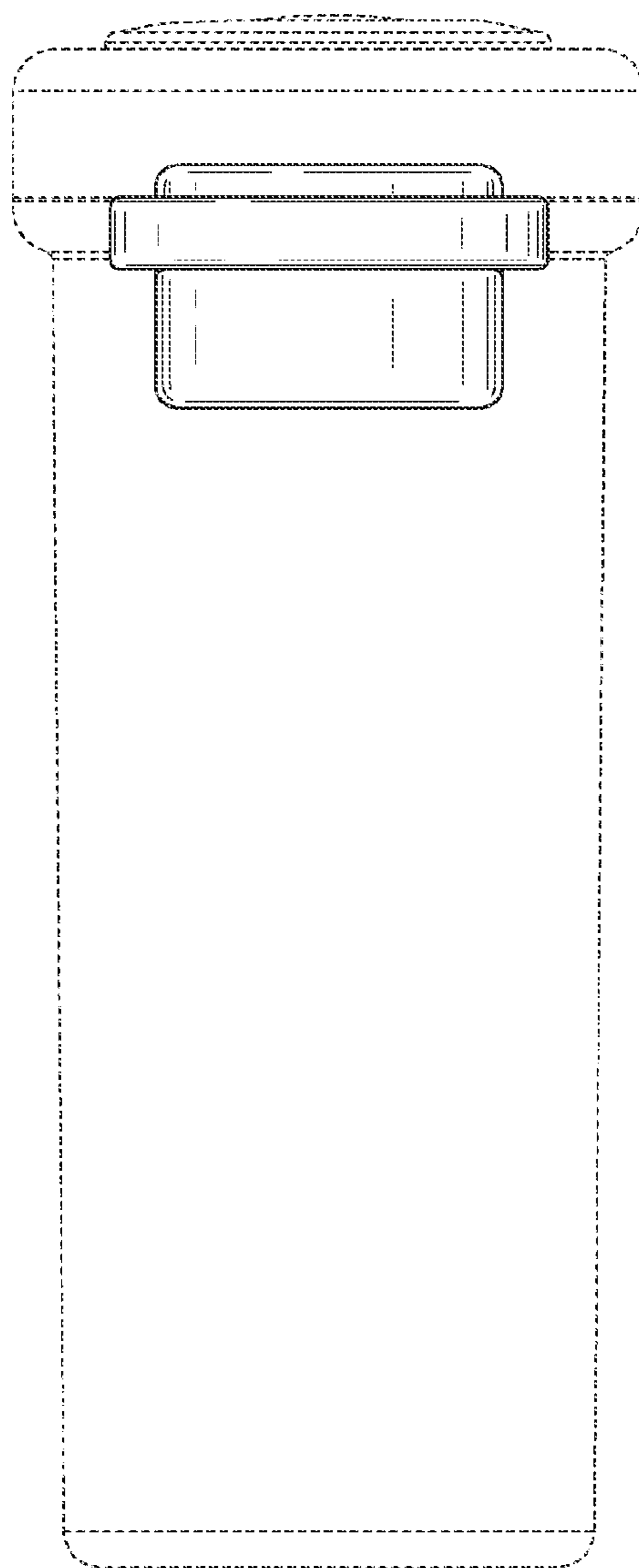


FIG. 5

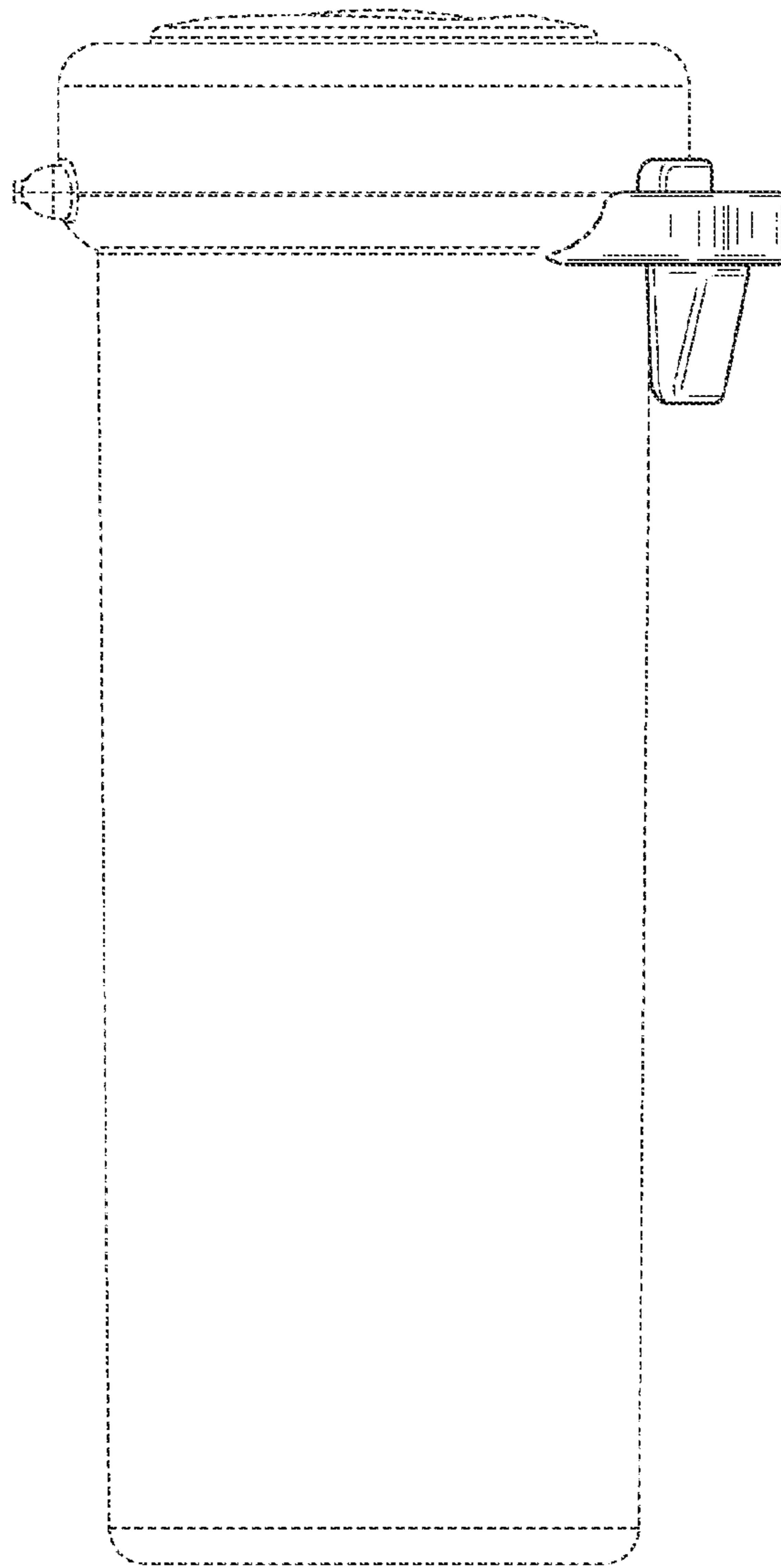


FIG. 6

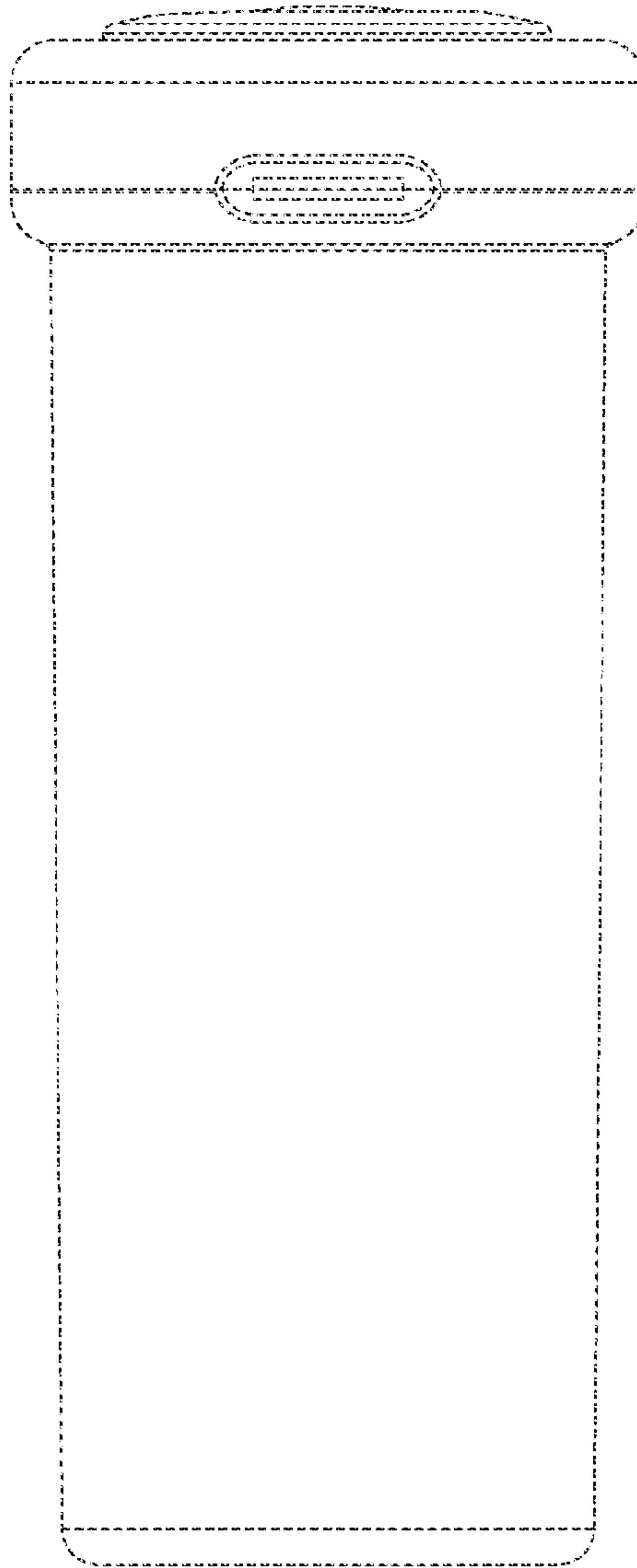


FIG. 7

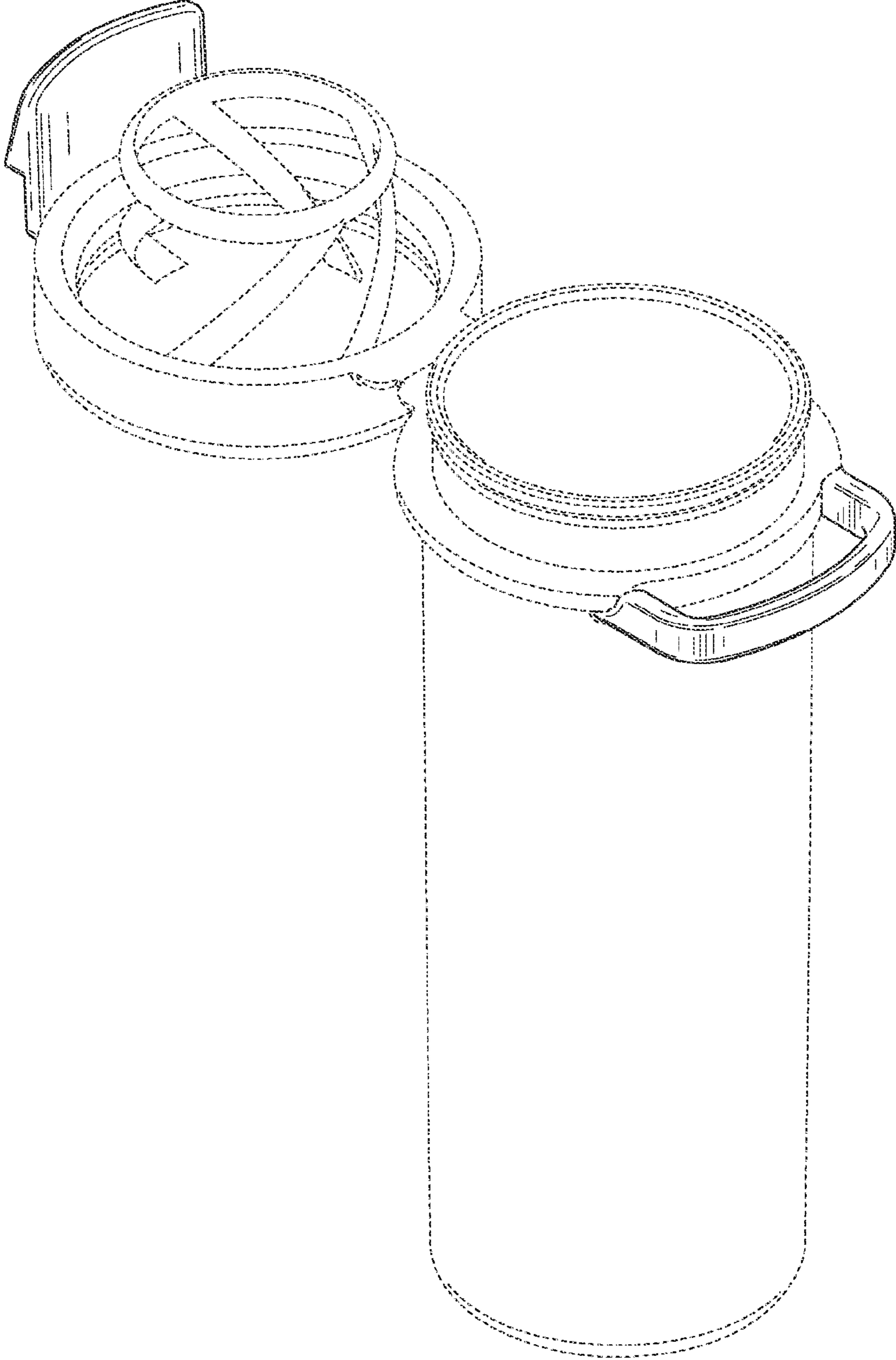


FIG. 8

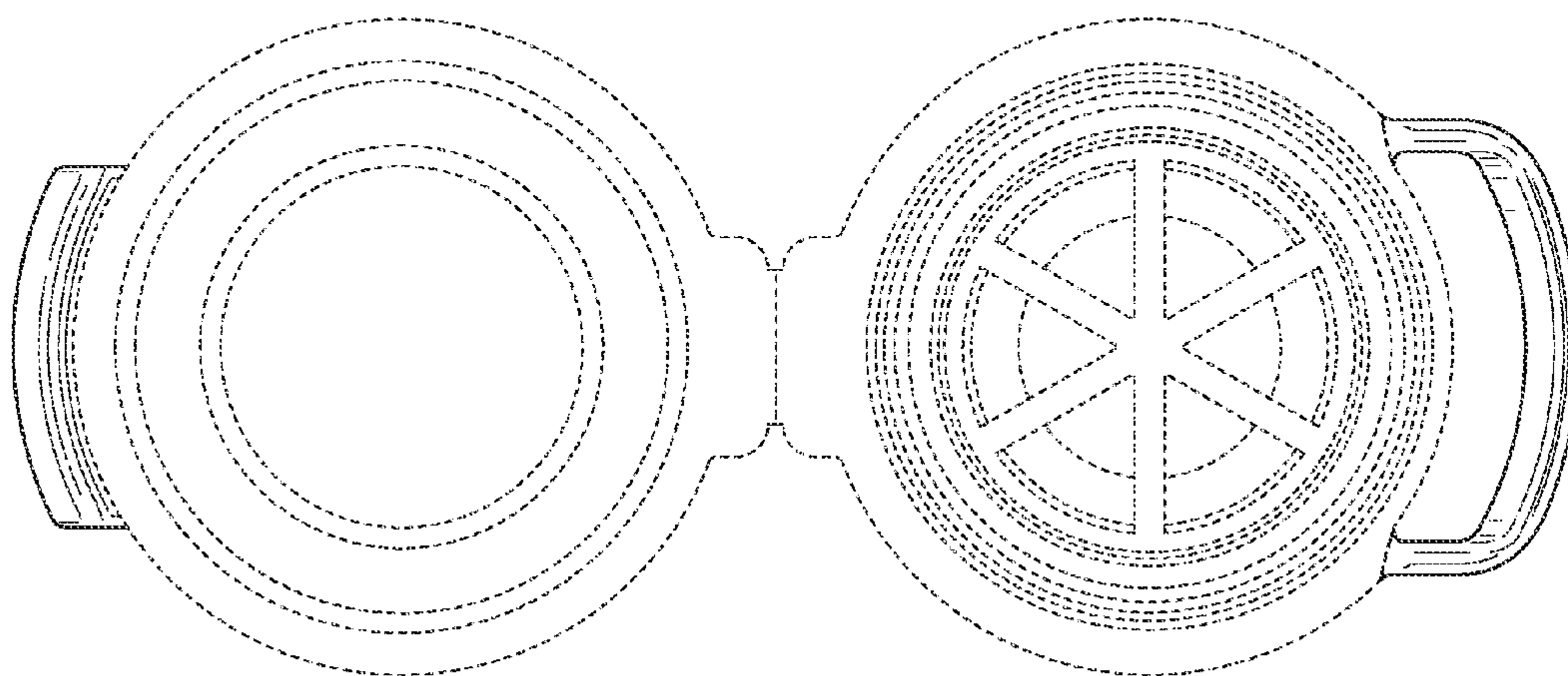


FIG. 9

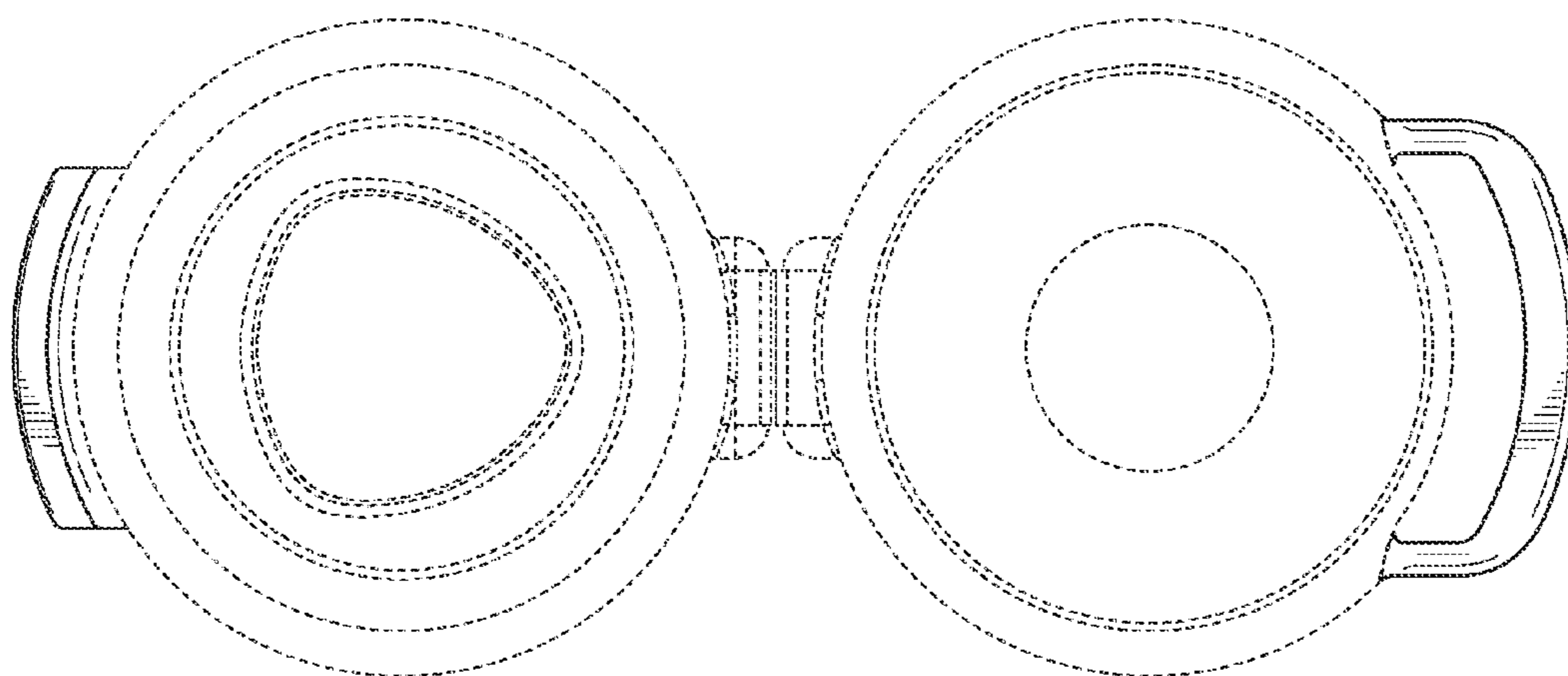


FIG. 10

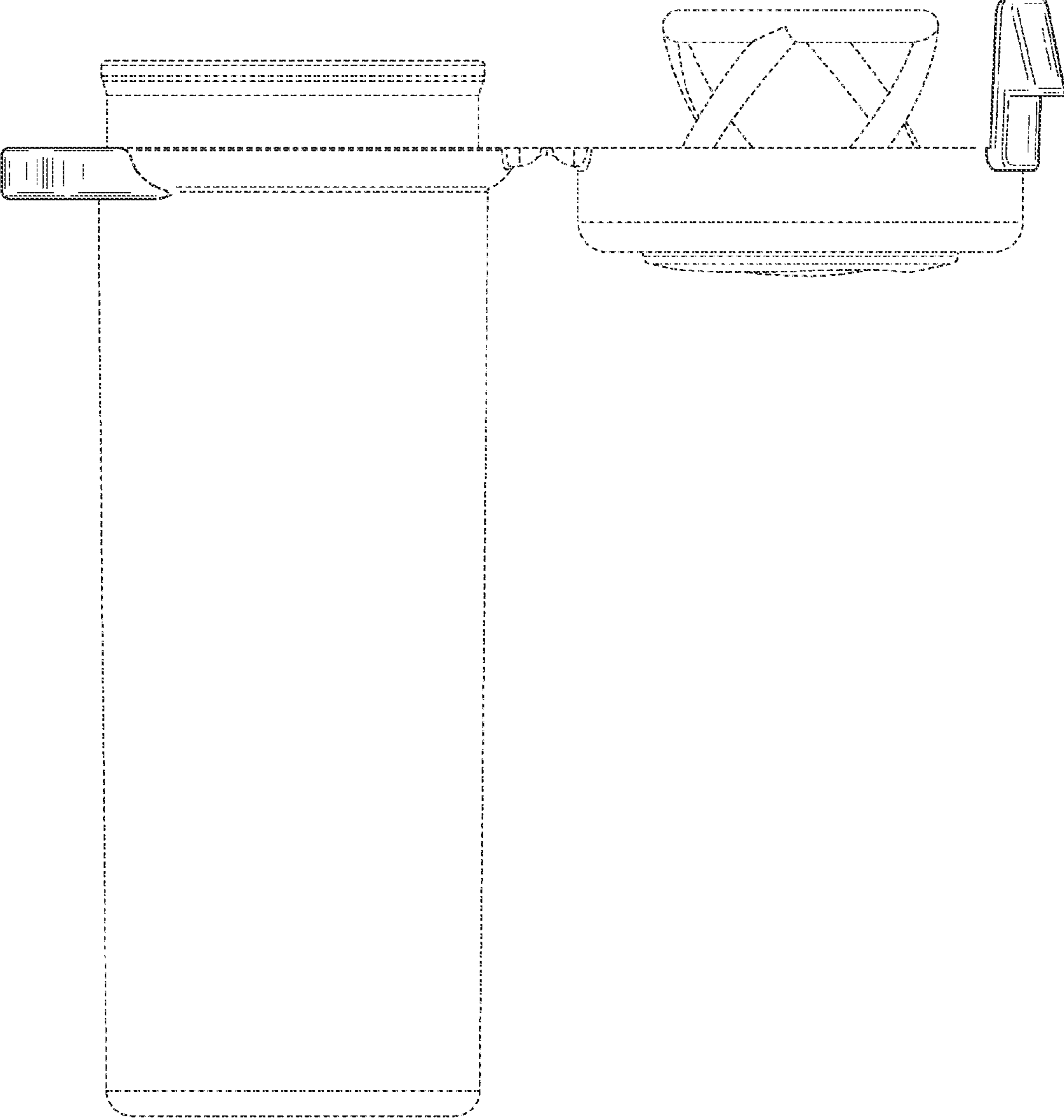


FIG. 11

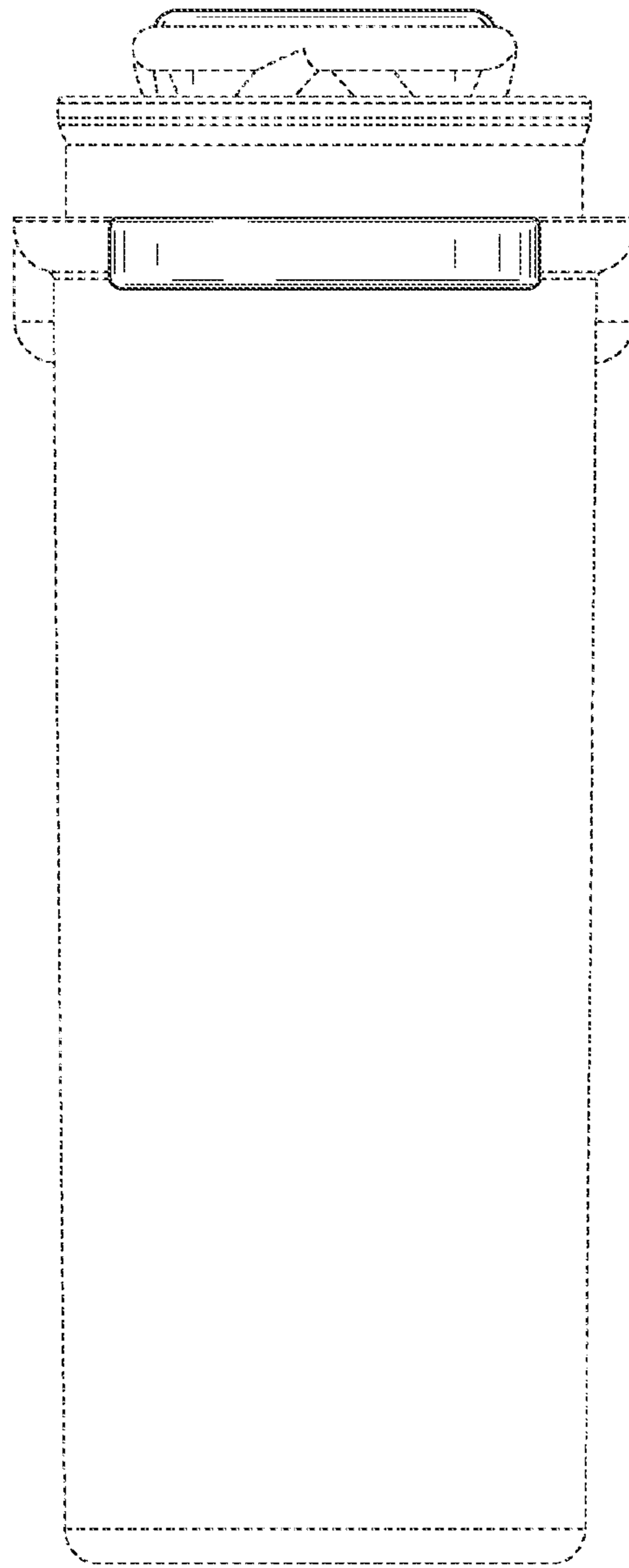


FIG. 12

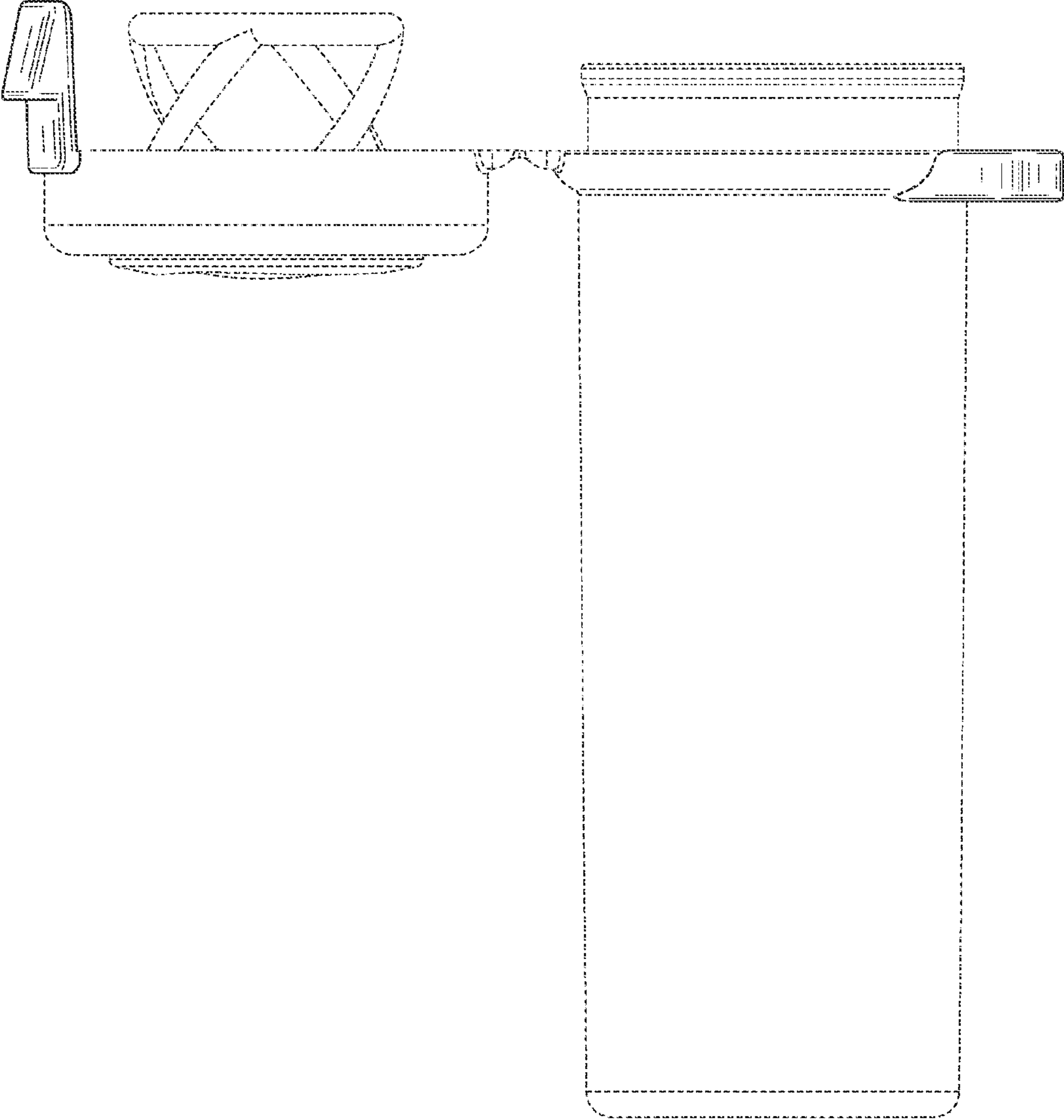


FIG. 13

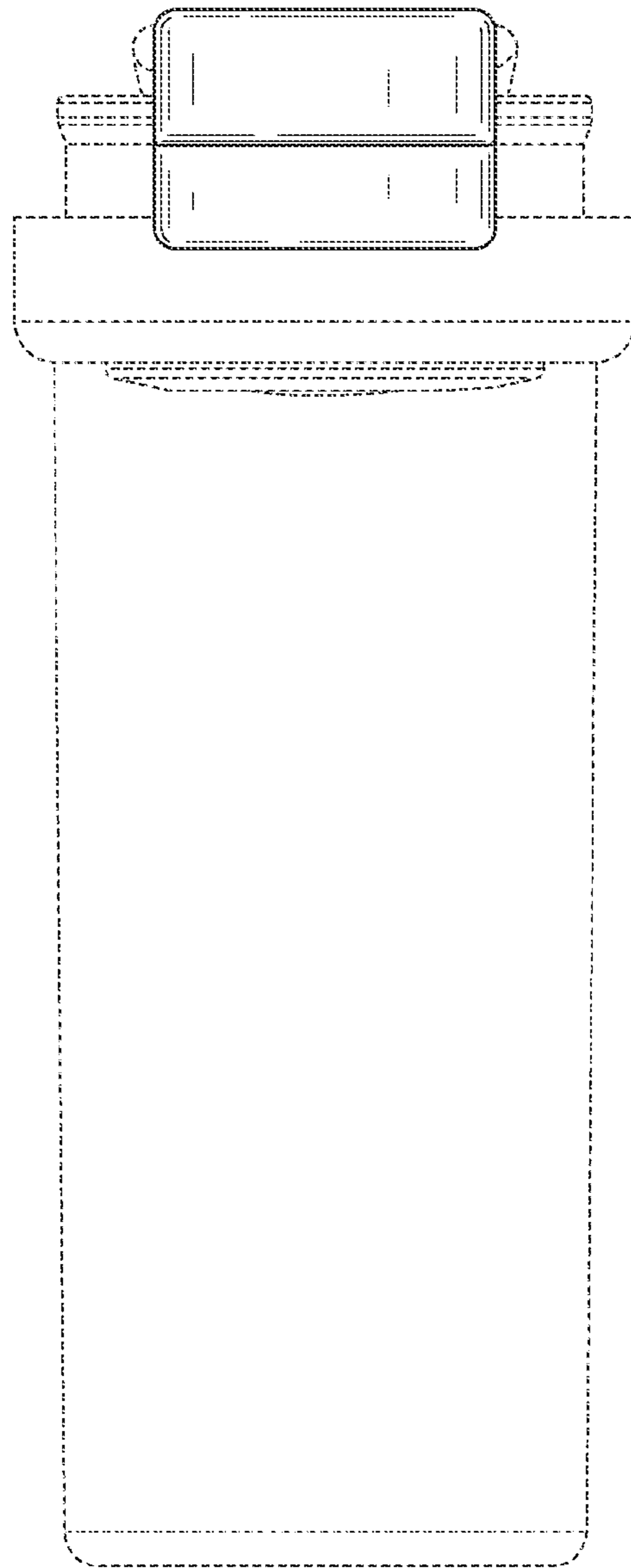


FIG. 14