



US00D647206S

(12) **United States Design Patent**
Massad

(10) **Patent No.:** **US D647,206 S**
(45) **Date of Patent:** **** Oct. 18, 2011**

(54) **SLENDER PIN RECEIVER FOR A JAW
RELATION RECORDING DEVICE**

6,152,730 A 11/2000 Wildman
D459,806 S * 7/2002 Webb D24/150
D459,807 S * 7/2002 Webb D24/150

(75) Inventor: **Joseph J. Massad**, Tulsa, OK (US)

(Continued)

(73) Assignee: **Global Dental Impression Trays, Inc.**,
Tulsa, OK (US)

FOREIGN PATENT DOCUMENTS

EP 0950384 10/1999

(**) Term: **14 Years**

Primary Examiner — Bridget L Eland

(21) Appl. No.: **29/382,237**

(74) *Attorney, Agent, or Firm* — Head, Johnson & Kachigan,
P.C.

(22) Filed: **Dec. 30, 2010**

(57) **CLAIM**

(51) **LOC (9) Cl.** **24-02**

The ornamental design for a slender pin receiver for a jaw
relation recording device, as shown and described.

(52) **U.S. Cl.** **D24/181; D24/140**

(58) **Field of Classification Search** D24/140,
D24/152, 156, 180, 181; 433/68, 69, 213,
433/214

DESCRIPTION

See application file for complete search history.

FIG. 1 is a top perspective view of a first embodiment of a
slender pin receiver for a jaw relation recording device show-
ing my new design;

(56) **References Cited**

U.S. PATENT DOCUMENTS

2,183,512	A	12/1939	Brenner	
2,863,216	A	12/1958	Lichtman et al.	
D205,895	S *	10/1966	Drabkowski	D24/181
3,320,958	A *	5/1967	Nolan	606/158
4,055,896	A	11/1977	Corbett	
4,286,947	A	9/1981	Daiberl	
4,304,551	A	12/1981	Kawasaki	
4,964,769	A	10/1990	Hass	
5,007,830	A	4/1991	Joffe	
5,186,624	A	2/1993	Gottsleben	
5,188,529	A	2/1993	Luth	
D349,342	S *	8/1994	Van Noy et al.	D24/143
5,336,087	A	8/1994	Vogel et al.	
D361,618	S *	8/1995	Patel	D24/149
D372,081	S *	7/1996	Kramer et al.	D24/181
5,722,828	A	3/1998	Halstrom	
5,755,726	A *	5/1998	Pratt et al.	606/143
D413,671	S *	9/1999	Thakur et al.	D24/146
5,971,756	A	10/1999	Fjelstad	
5,989,023	A	11/1999	Summer et al.	
6,089,864	A *	7/2000	Buckner et al.	433/71
6,106,285	A	8/2000	Kwak	

FIG. 2 is a top view of FIG. 1;

FIG. 3 is a side view of FIG. 1;

FIG. 4 is a bottom view of FIG. 1;

FIG. 5 is a front view of FIG. 1;

FIG. 6 is a rear view of FIG. 1;

FIG. 7 is a cross-sectional view along line 7-7 of the slender
pin receiver for a jaw relation recording device shown in FIG.
2;

FIG. 8 is a top perspective view of a second embodiment of a
slender pin receiver for a jaw relation recording device show-
ing my new design;

FIG. 9 is a top view of FIG. 8;

FIG. 10 is a side view of FIG. 8;

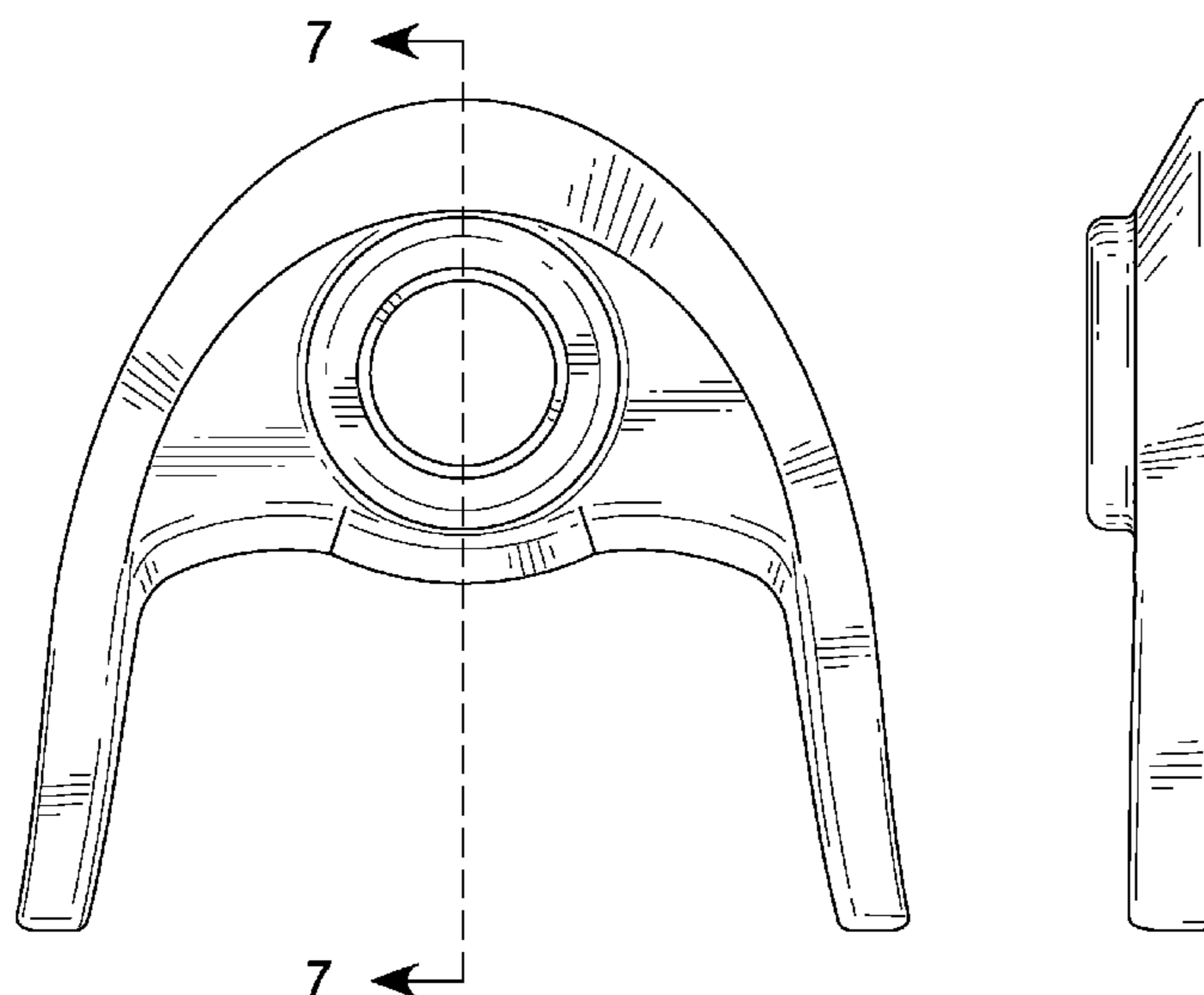
FIG. 11 is a bottom view of FIG. 8;

FIG. 12 is a front view of FIG. 8;

FIG. 13 is a rear view of FIG. 8; and,

FIG. 14 is a cross-sectional view along line 14-14 of the
slender pin receiver for a jaw relation recording device shown
in FIG. 9.

1 Claim, 4 Drawing Sheets



US D647,206 S

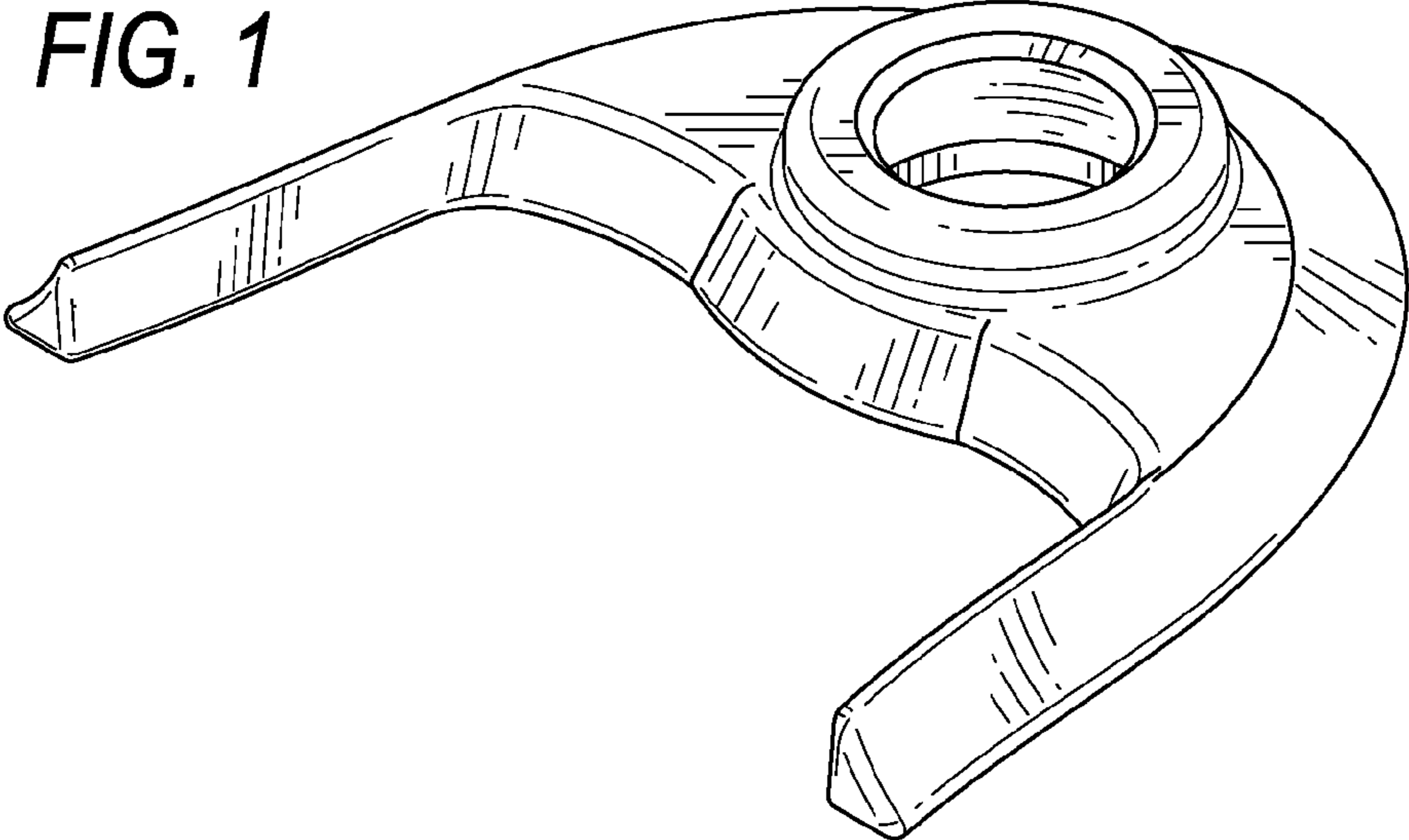
Page 2

U.S. PATENT DOCUMENTS

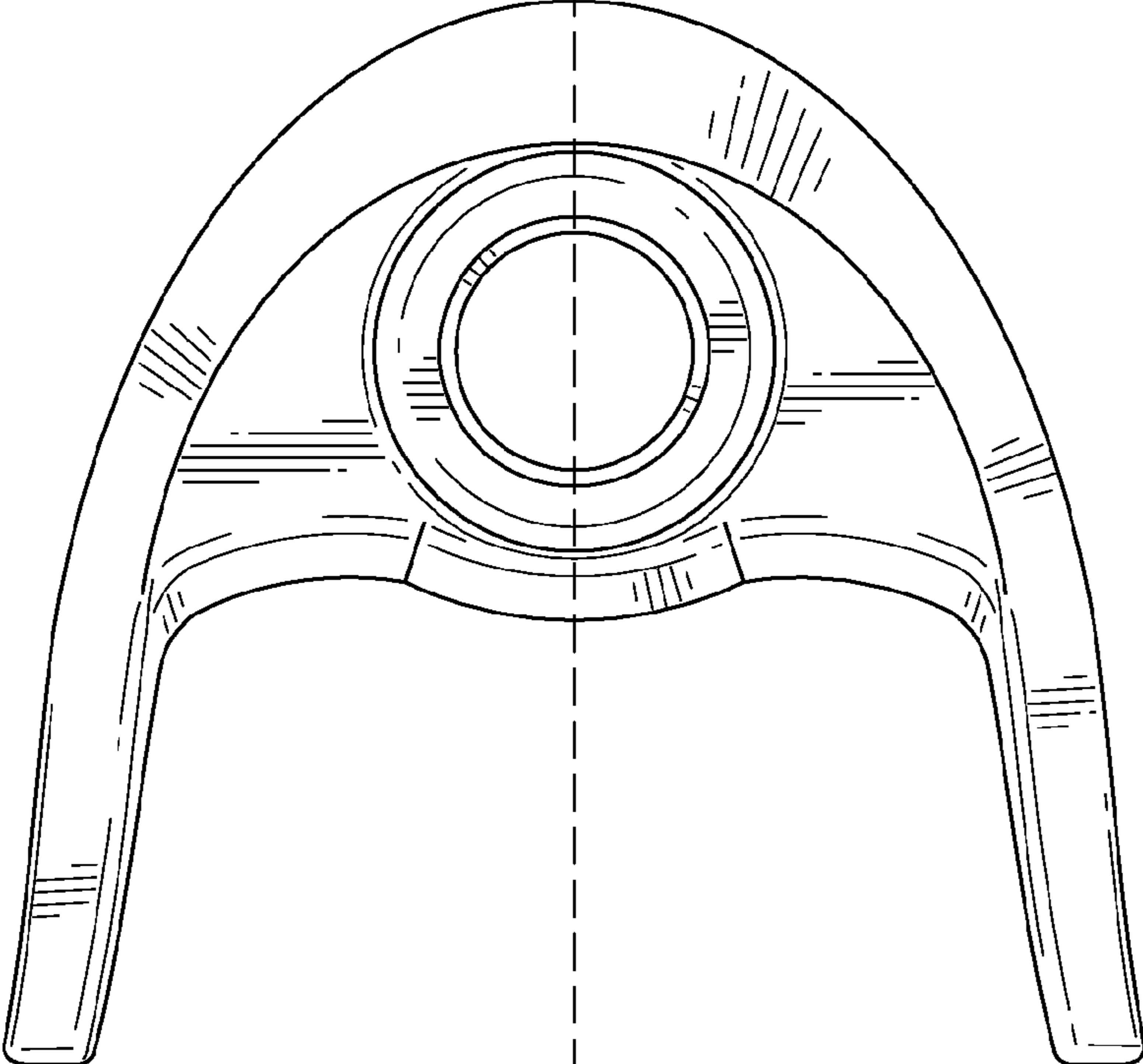
D483,122 S *	12/2003	Jethwa	D24/147	D630,747 S *	1/2011	Shinohara et al.	D24/152
D530,425 S *	10/2006	Carlson	D24/181	D631,550 S *	1/2011	Massad	D24/181
D539,623 S *	4/2007	Yu	D8/40	2005/0084817 A1 *	4/2005	Teng	433/68
7,273,368 B2 *	9/2007	Taub et al.	433/24	2006/0121409 A1 *	6/2006	Olivier	433/73
D594,125 S *	6/2009	Lesniak	D24/181	2006/0172254 A1	8/2006	Shindo et al.	
D618,806 S *	6/2010	Gelb	D24/181	2007/0231771 A1 *	10/2007	Kawasaki	433/68
D621,942 S *	8/2010	Massad	D24/181	2007/0231774 A1 *	10/2007	Massad	433/213
D628,700 S *	12/2010	Massad	D24/181	2010/0233647 A1 *	9/2010	Yang	433/66

* cited by examiner

FIG. 1



7 ←



7 ←

FIG. 2

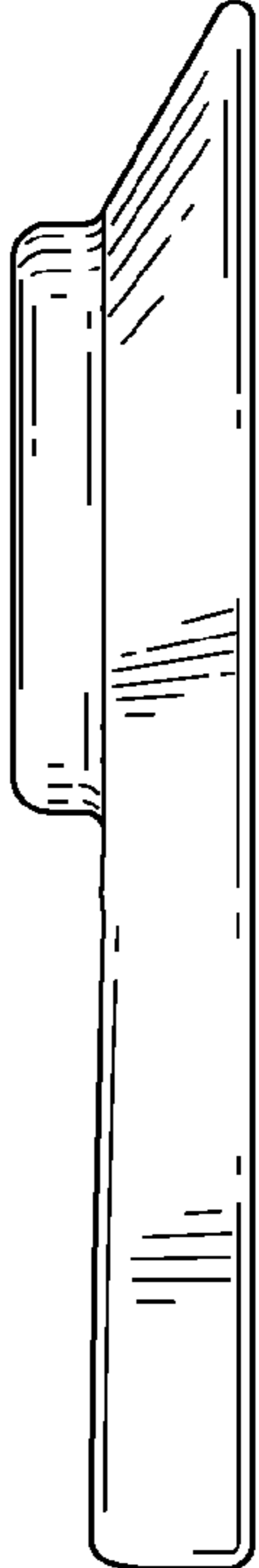


FIG. 3

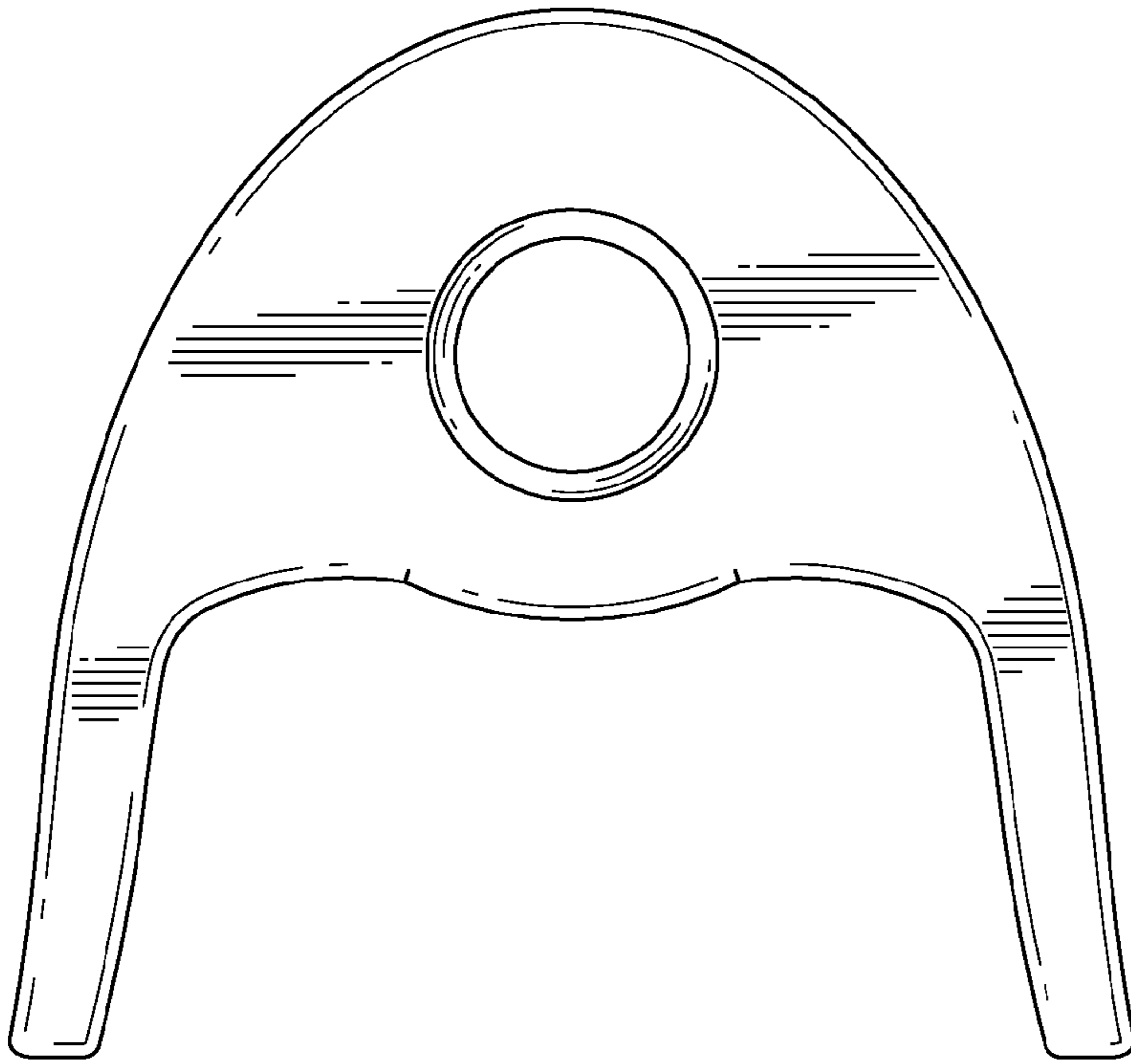


FIG. 4

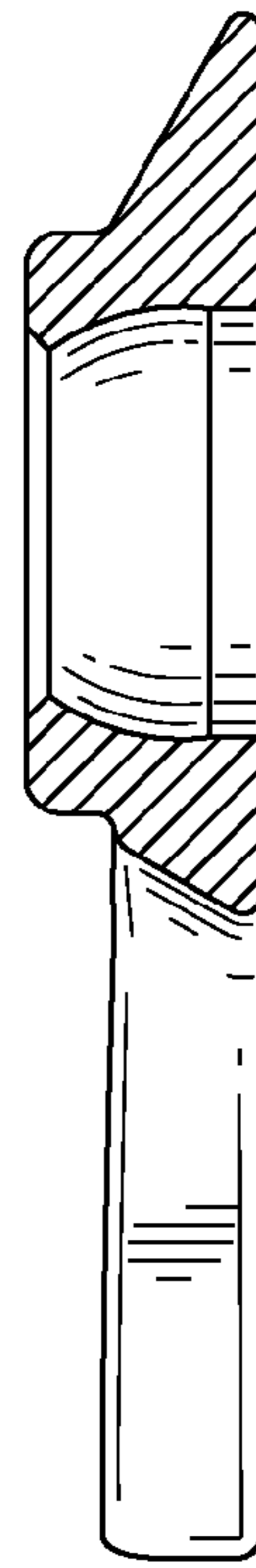


FIG. 7

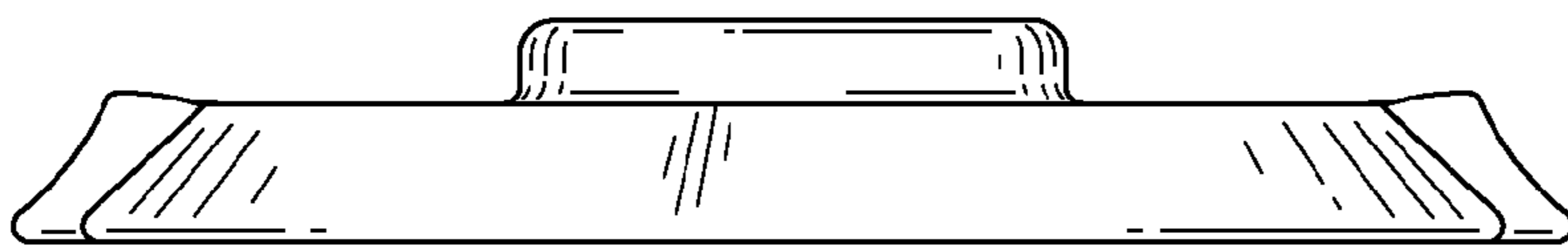


FIG. 5

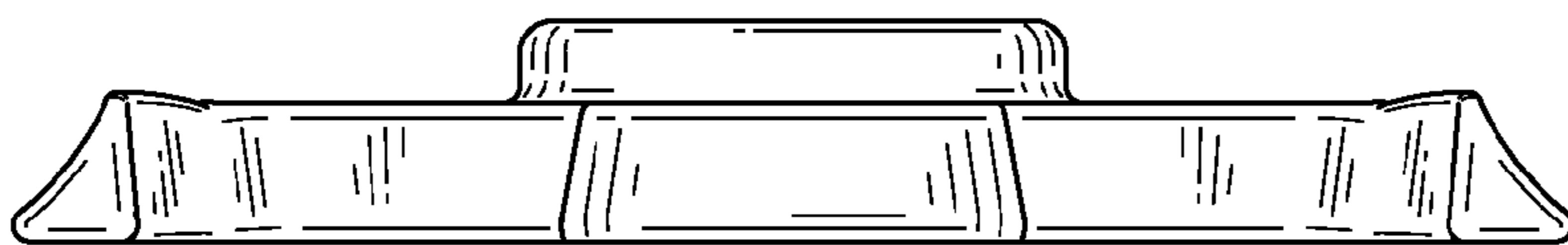


FIG. 6

FIG. 8

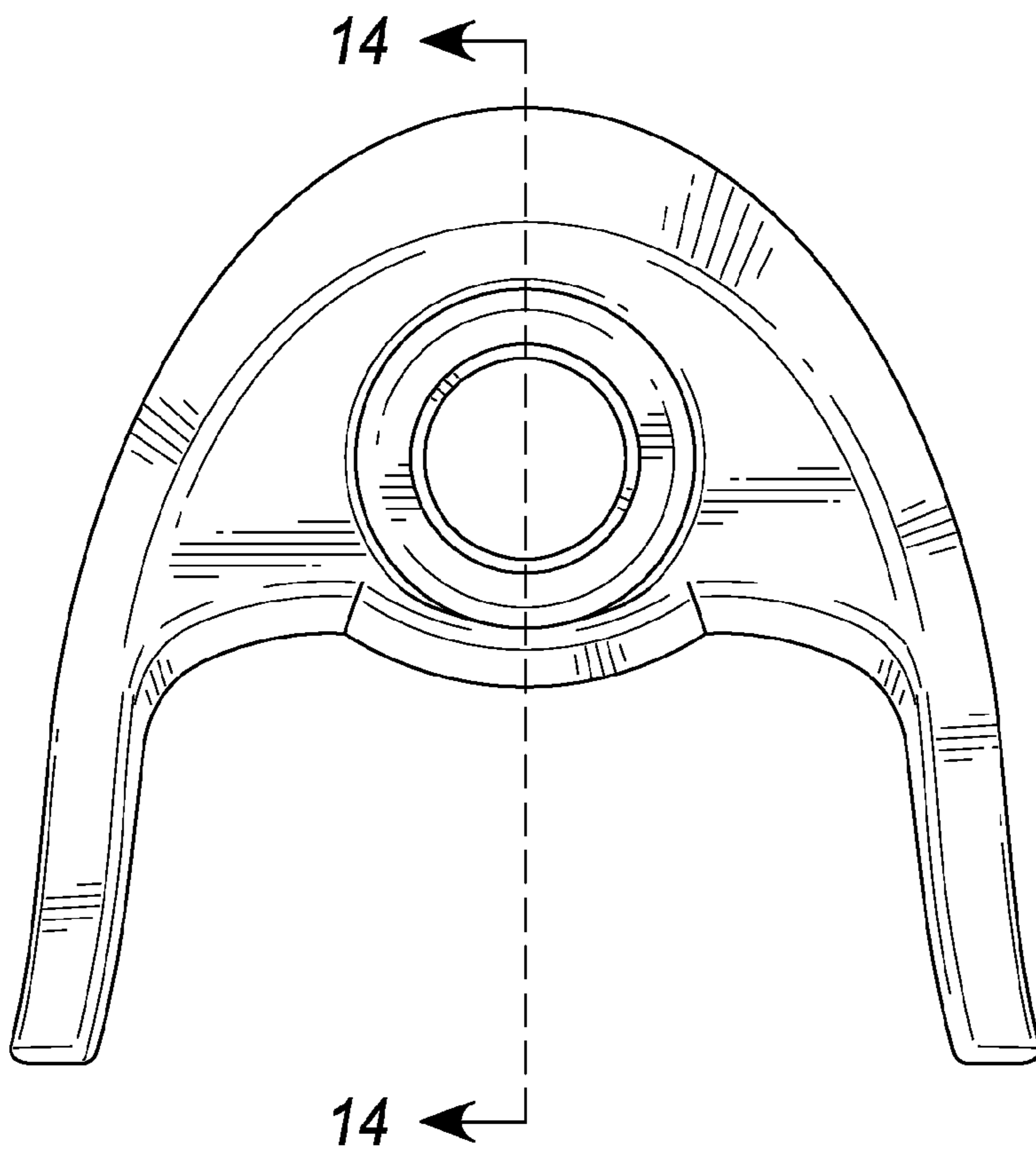
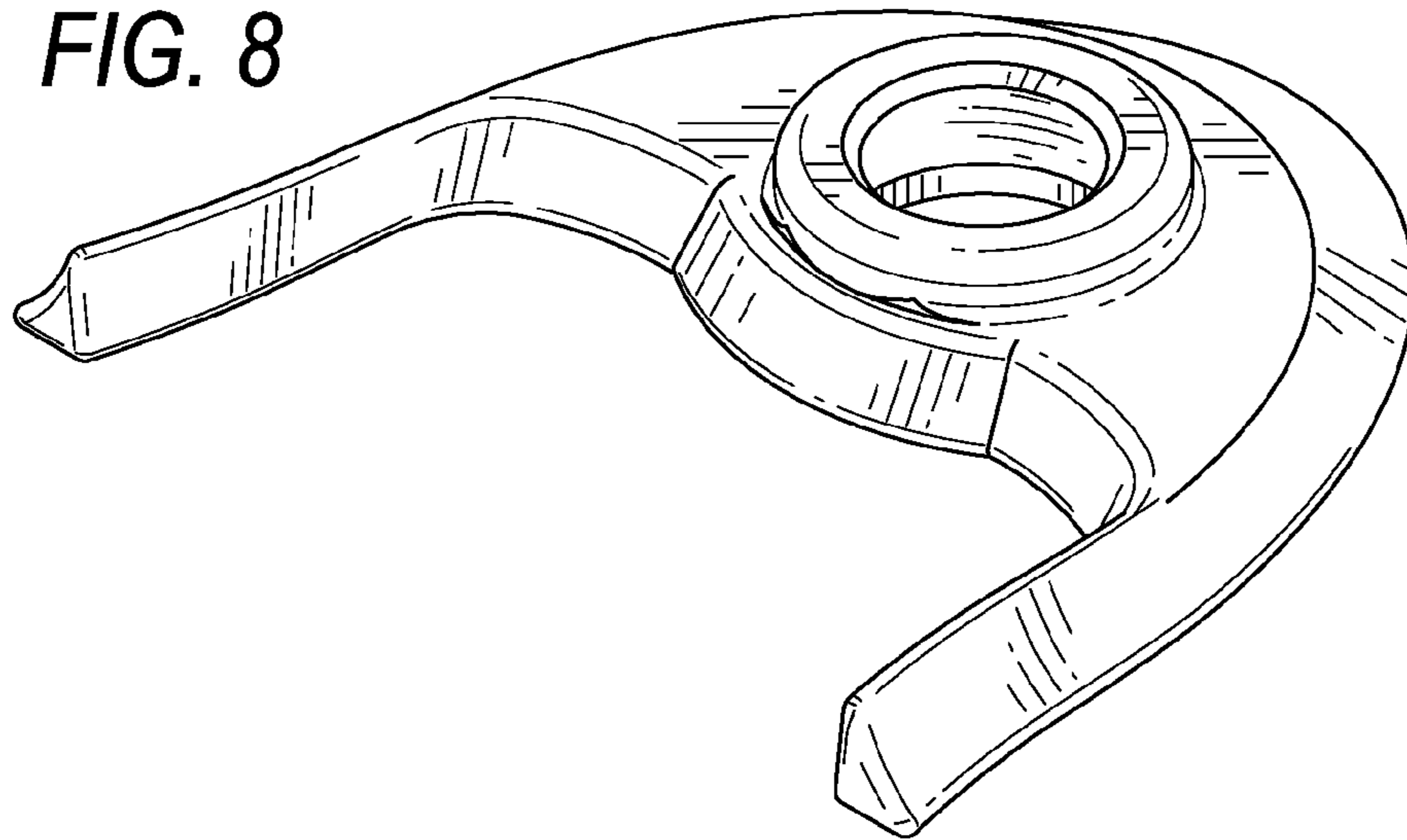


FIG. 9

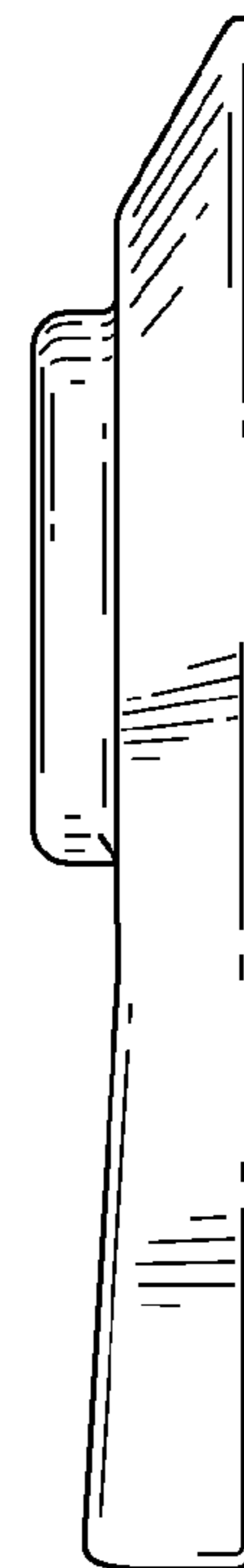


FIG. 10

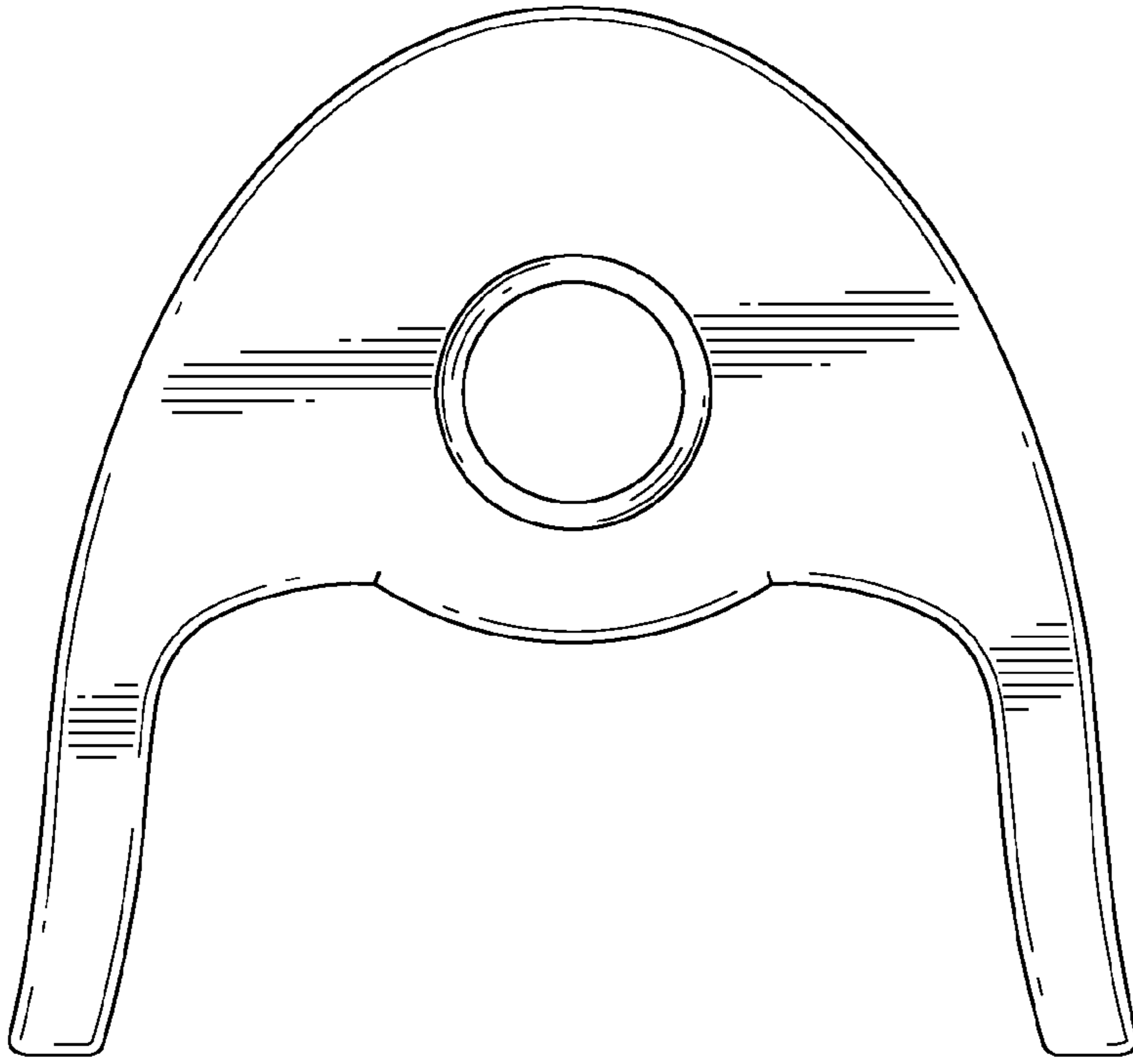


FIG. 11

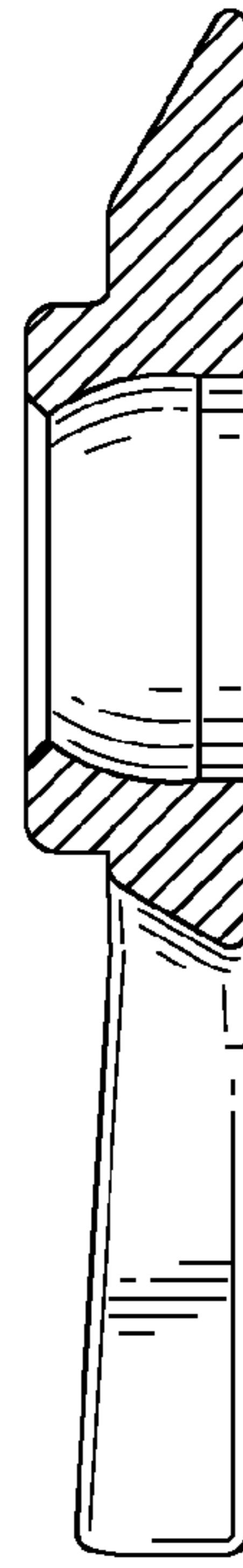


FIG. 14

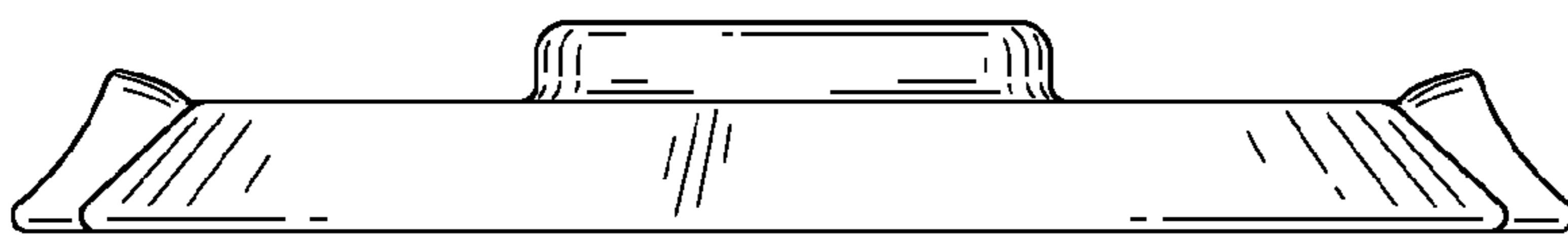


FIG. 12

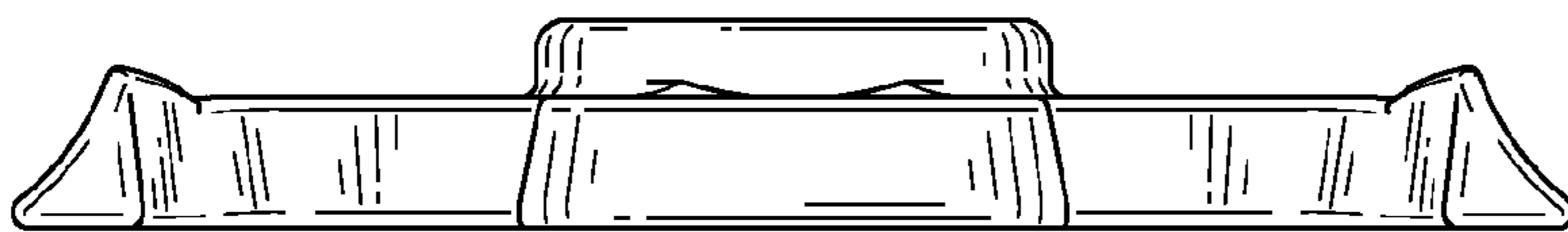


FIG. 13