



US00D647202S

(12) **United States Design Patent**
Scifert

(10) **Patent No.:** **US D647,202 S**
(45) **Date of Patent:** **** Oct. 18, 2011**

(54) **BONE MARROW HARVESTING DEVICE**

(75) Inventor: **Jeffrey L. Scifert**, Arlington, TN (US)

(73) Assignee: **Warsaw Orthopedic, Inc.**, Warsaw, IN (US)

(**) Term: **14 Years**

(21) Appl. No.: **29/352,386**

(22) Filed: **Dec. 21, 2009**

(51) **LOC (9) Cl.** **24-02**

(52) **U.S. Cl.** **D24/146**

(58) **Field of Classification Search** D24/133,
D24/146, 147; 600/564, 566, 567; 606/160,
606/79, 84, 85

See application file for complete search history.

(56) **References Cited**

U.S. PATENT DOCUMENTS

D257,886	S	1/1981	Kersten	
4,469,109	A	9/1984	Mehl	
4,793,363	A *	12/1988	Ausherman et al.	600/567
D300,060	S	2/1989	Molgaard-Nielsen	
D303,009	S	8/1989	Strasser et al.	
D358,645	S	5/1995	Ryan et al.	
D378,780	S	4/1997	Shuler	
5,634,473	A *	6/1997	Goldenberg et al.	600/567
D398,996	S	9/1998	Simmons et al.	
D403,398	S	12/1998	Guala et al.	
5,868,684	A	2/1999	Akerfeldt et al.	
6,063,037	A	5/2000	Mittermeier et al.	
6,110,128	A	8/2000	Andelin et al.	
D439,980	S	4/2001	Reiley et al.	
D449,691	S *	10/2001	Reiley et al.	D24/147
6,312,394	B1	11/2001	Fleming, III	
6,395,007	B1 *	5/2002	Bhatnagar et al.	606/94
6,416,484	B1	7/2002	Miller et al.	
D469,871	S	2/2003	Sand	
D478,165	S	8/2003	Hechel	
6,613,002	B1	9/2003	Clark et al.	
D482,787	S	11/2003	Reiss	
6,755,793	B2	6/2004	Lamoureux et al.	
6,770,079	B2 *	8/2004	Bhatnagar et al.	606/94
D496,728	S	9/2004	Holsinger	
6,875,183	B2	4/2005	Cervi	
7,081,122	B1 *	7/2006	Reiley et al.	606/185

7,201,722	B2	4/2007	Krueger	
D549,824	S	8/2007	Sauer	
7,278,970	B2	10/2007	Goldenberg	
D597,204	S *	7/2009	Oberlaender et al.	D24/133
2008/0262383	A1	10/2008	Routhier et al.	

* cited by examiner

Primary Examiner — Ian Simmons

Assistant Examiner — Carissa C Fitts

(57) **CLAIM**

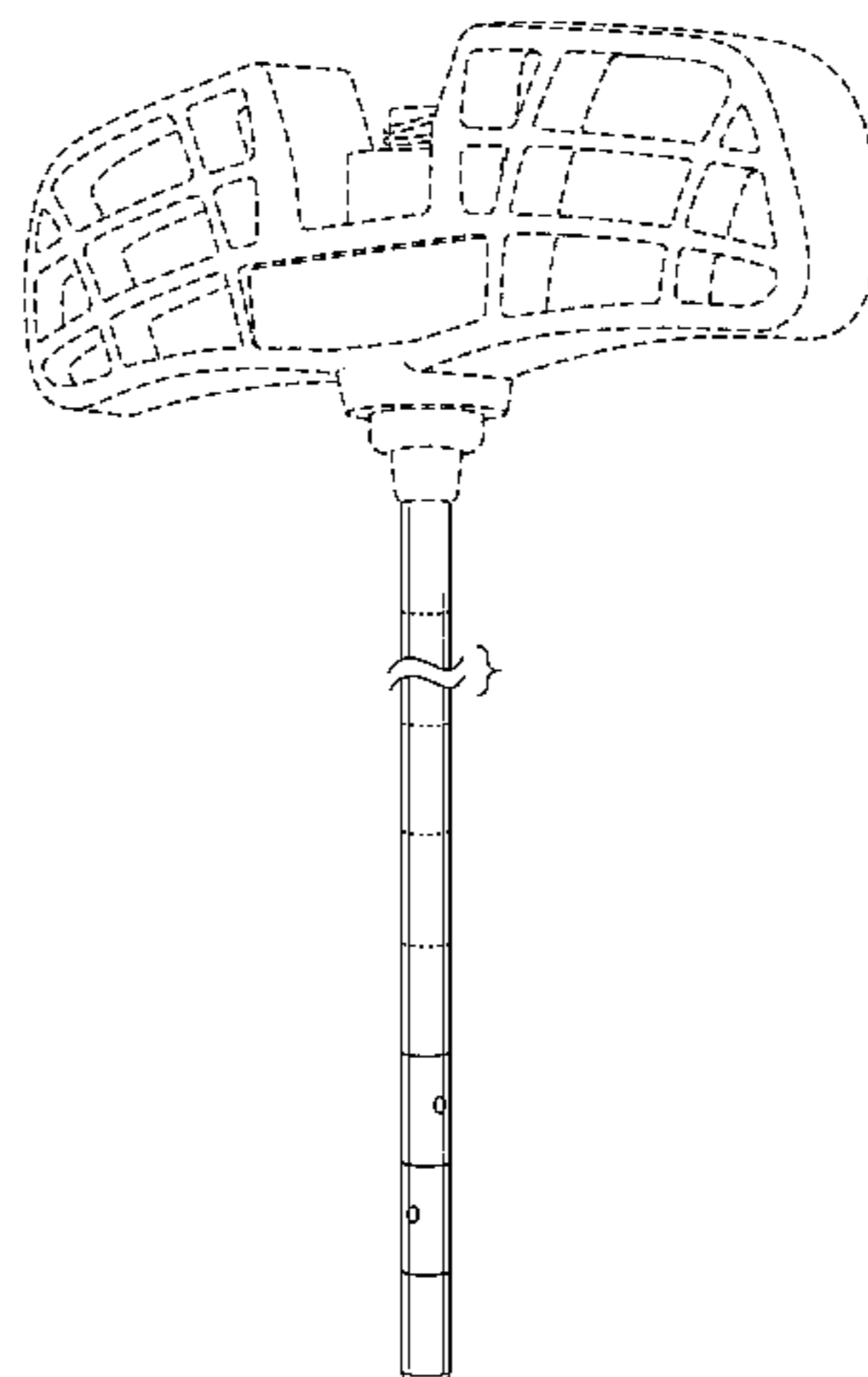
The ornamental design for a bone marrow harvesting device, as shown and described.

DESCRIPTION

FIG. 1: perspective view of the bone marrow harvesting device according to the present invention;
 FIG. 2: front elevation view of the bone marrow harvesting device according to the present invention;
 FIG. 3: back elevation view of the bone marrow harvesting device according to the present invention;
 FIG. 4: left side elevation view of the bone marrow harvesting device according to the present invention;
 FIG. 5: right side elevation view of the bone marrow harvesting device according to the present invention;
 FIG. 6: top elevation view of the bone marrow harvesting device according to the present invention;
 FIG. 7: bottom elevation view of the bone marrow harvesting device according to the present invention;
 FIG. 8: enlarged end, front view of the bone marrow harvesting device according to the present invention;
 FIG. 9: enlarged end, back view of the bone marrow harvesting device according to the present invention;
 FIG. 10: enlarged end, left side view of the bone marrow harvesting device according to the present invention; and,
 FIG. 11: enlarged end, right side view of the bone marrow harvesting device according to the present invention.

The broken line showing is for environmental purposes only and forms no part of the claimed design. Furthermore, the cannula is shown broken along the length in the FIGS. 1-5 to indicate indeterminate length, with the understanding that the "indeterminate" portion of the cannula forms no part of the claim design. Patentability is based only upon on those portions of the claim that is shown in solid lines.

1 Claim, 8 Drawing Sheets



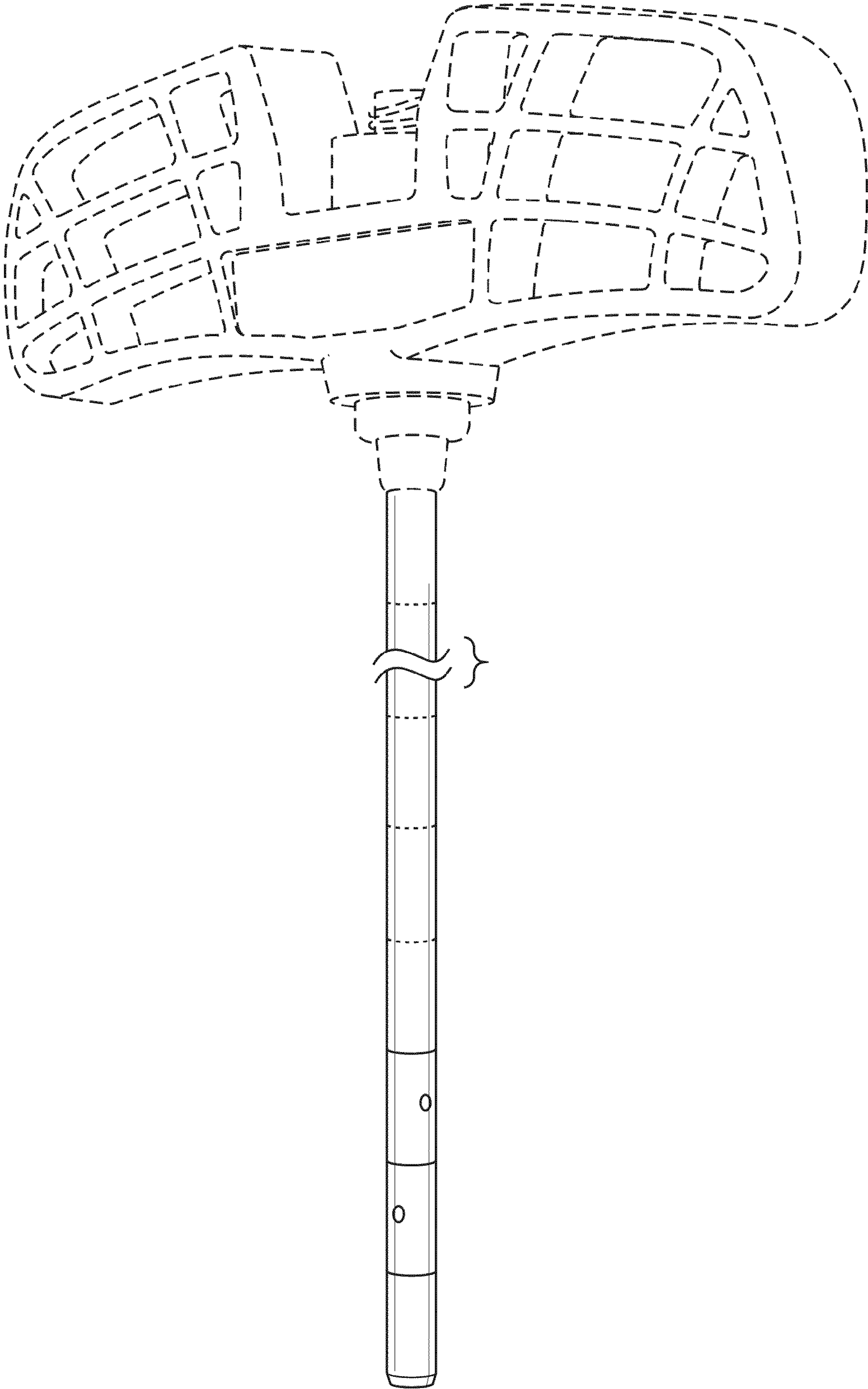


FIG. 1

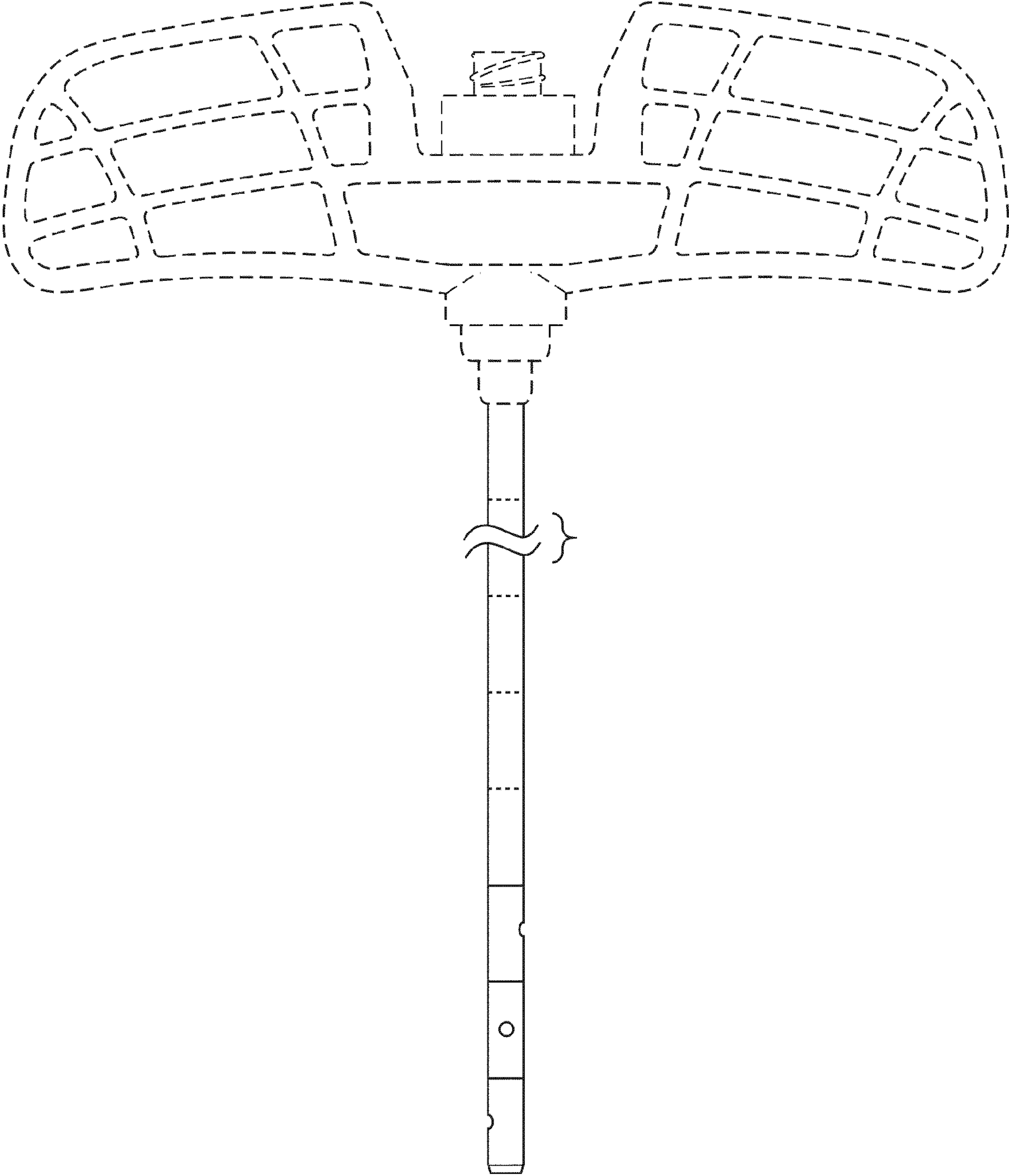


FIG. 2

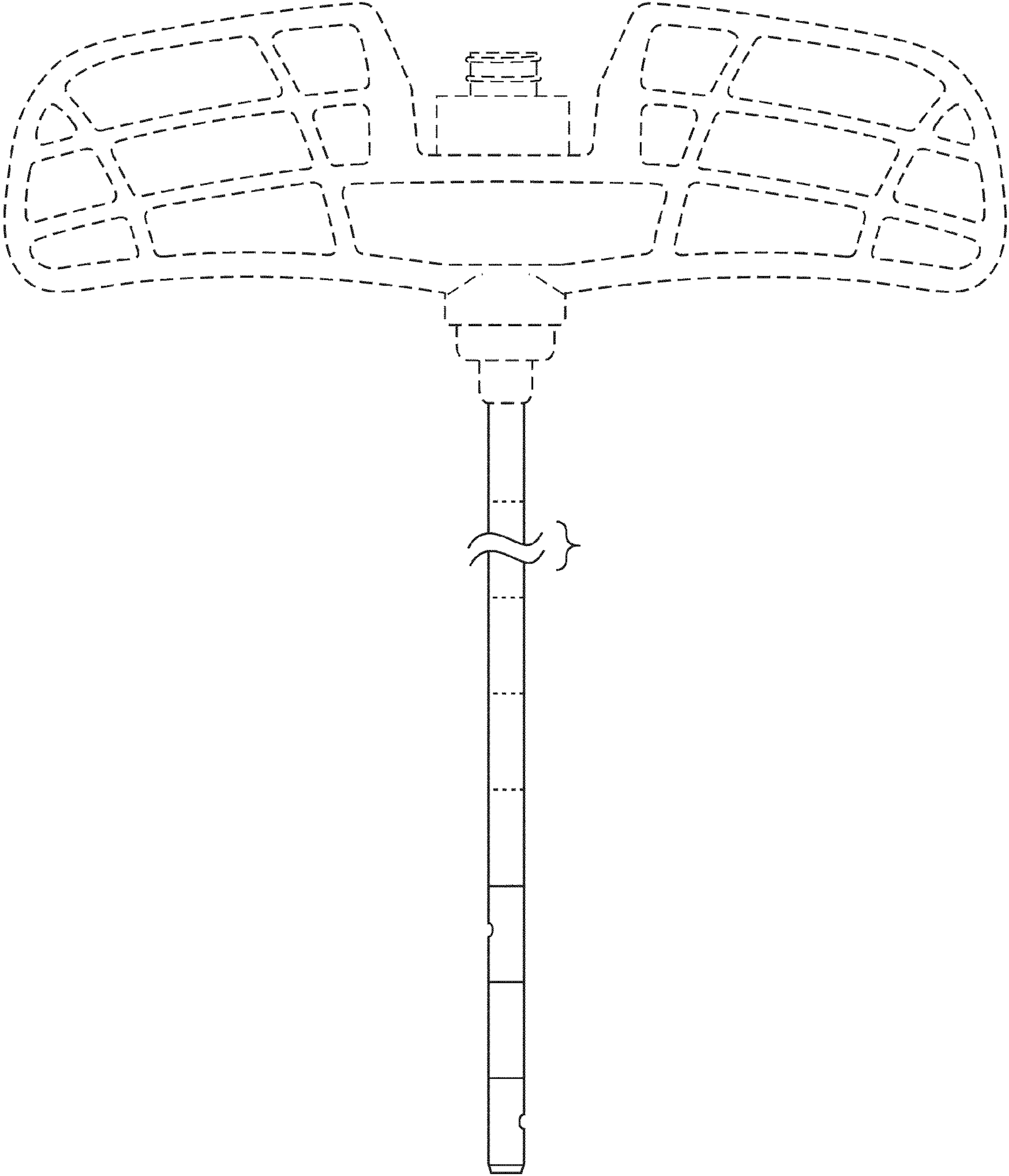


FIG. 3

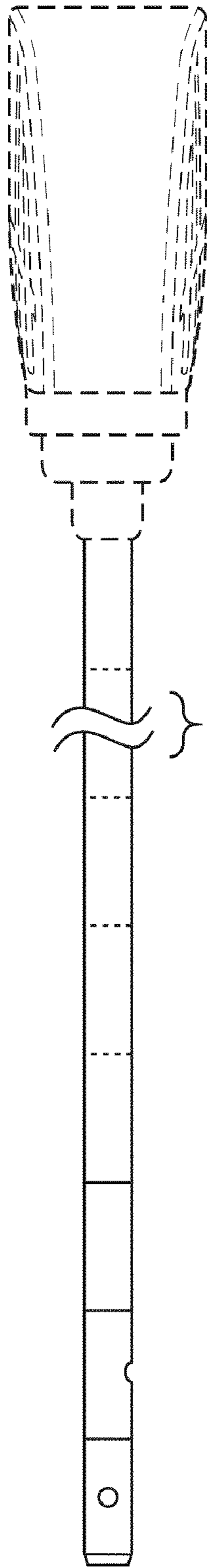


FIG. 4

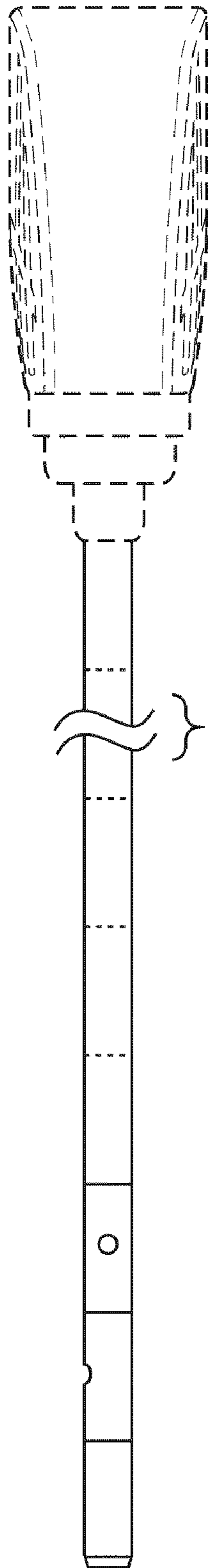


FIG. 5

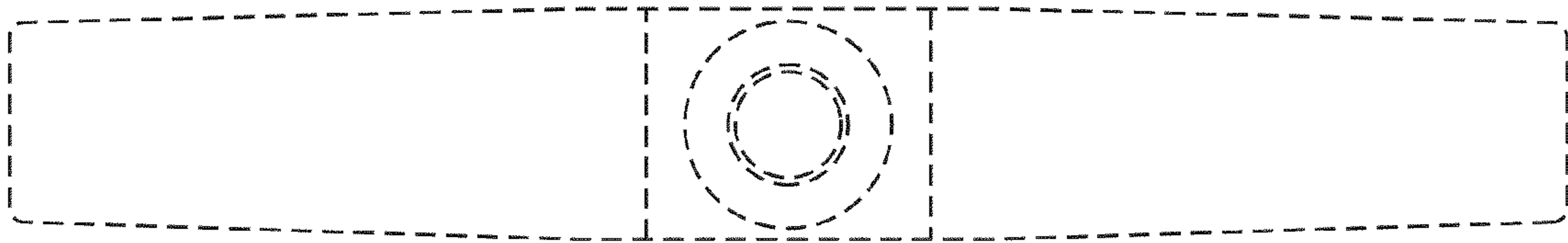


FIG. 6

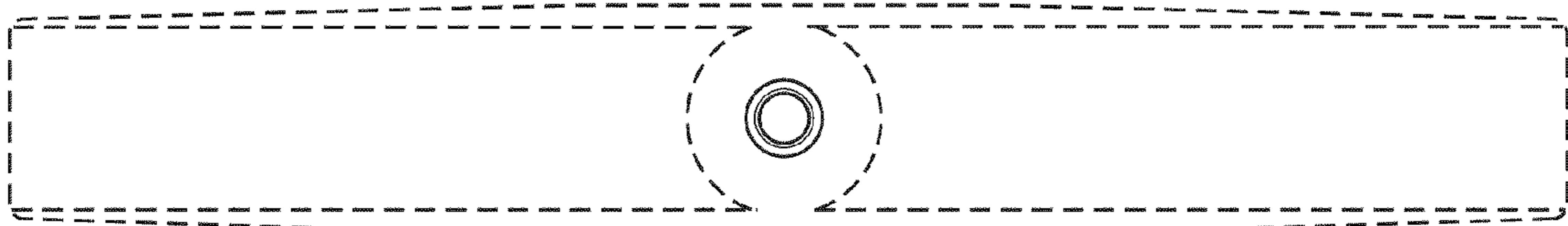


FIG. 7

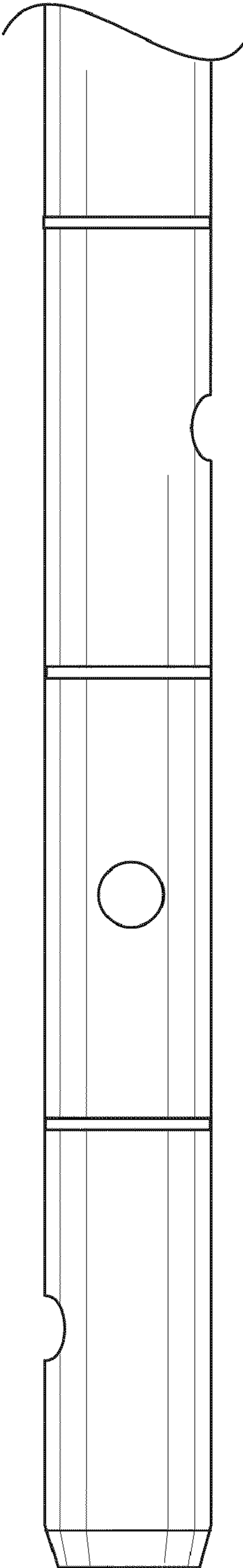


FIG. 8

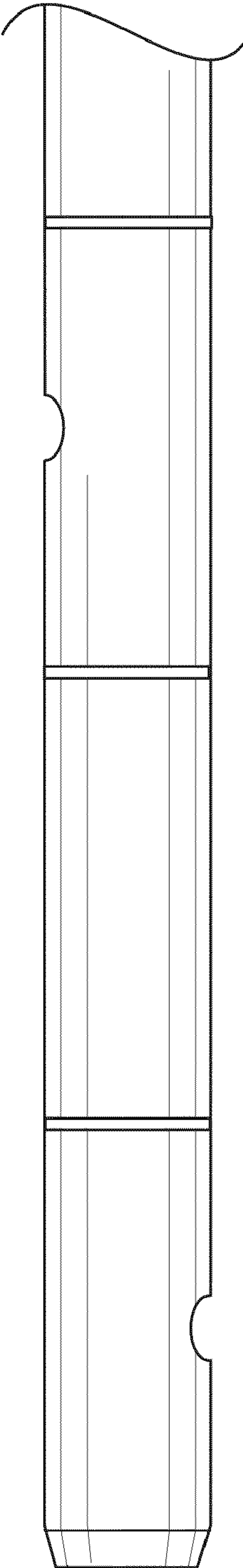


FIG. 9

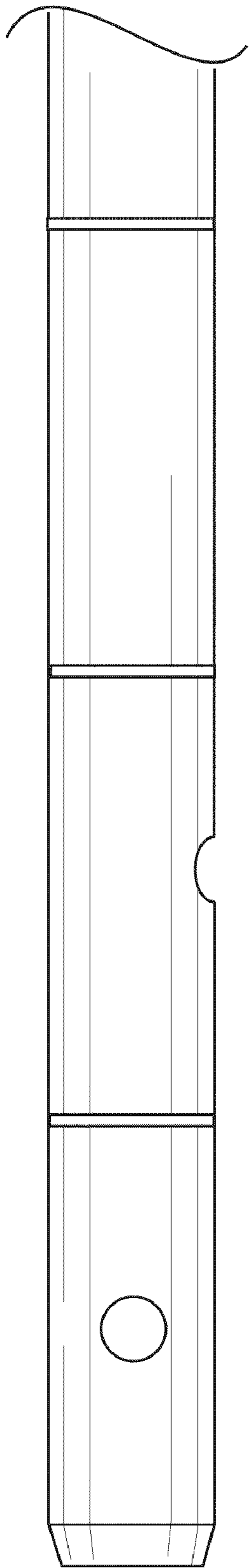


FIG. 10

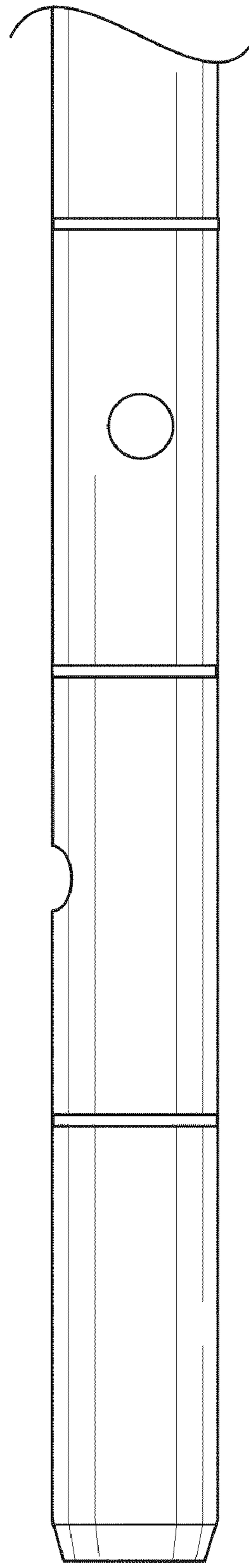


FIG. 11