



US00D647192S

(12) **United States Design Patent**
Boadella Esteve et al.

(10) **Patent No.:** **US D647,192 S**
(45) **Date of Patent:** **** Oct. 18, 2011**

(54) **DIFFUSING EVAPORATOR OF VOLATILE SUBSTANCES**

(75) Inventors: **Oriol Boadella Esteve**, Barcelona (ES);
Jose Antonio Luque Salcedo, Barcelona (ES)

(73) Assignee: **Zobeles Espana S.A.** (ES)

(**) Term: **14 Years**

(21) Appl. No.: **29/377,881**

(22) Filed: **Oct. 27, 2010**

(30) **Foreign Application Priority Data**

Apr. 28, 2010 (EP) 001701202-0001

(51) **LOC (9) Cl.** **28-99**

(52) **U.S. Cl.** **D23/366**

(58) **Field of Classification Search** D23/355-369;
D28/5, 6; 261/DIG. 17, DIG. 42, DIG. 65,
261/DIG. 88, DIG. 89; 392/386, 390-395;
239/34, 35, 44-47, 50, 53, 56, 60, 145, 326
See application file for complete search history.

(56) **References Cited**

U.S. PATENT DOCUMENTS

D453,560 S * 2/2002 Van Brunt D23/355
D535,735 S * 1/2007 Ruiz Ballesteros et al. . D23/366

D548,318 S * 8/2007 Copeman D23/366
D556,311 S * 11/2007 Copeman D23/366
D561,319 S * 2/2008 Weggelaar D23/366
D596,729 S * 7/2009 Langley et al. D23/366
D596,730 S * 7/2009 Langley et al. D23/366
D628,283 S * 11/2010 Valentino et al. D23/366

* cited by examiner

Primary Examiner — Sandra Snapp

(74) *Attorney, Agent, or Firm* — Cantor Colburn LLP

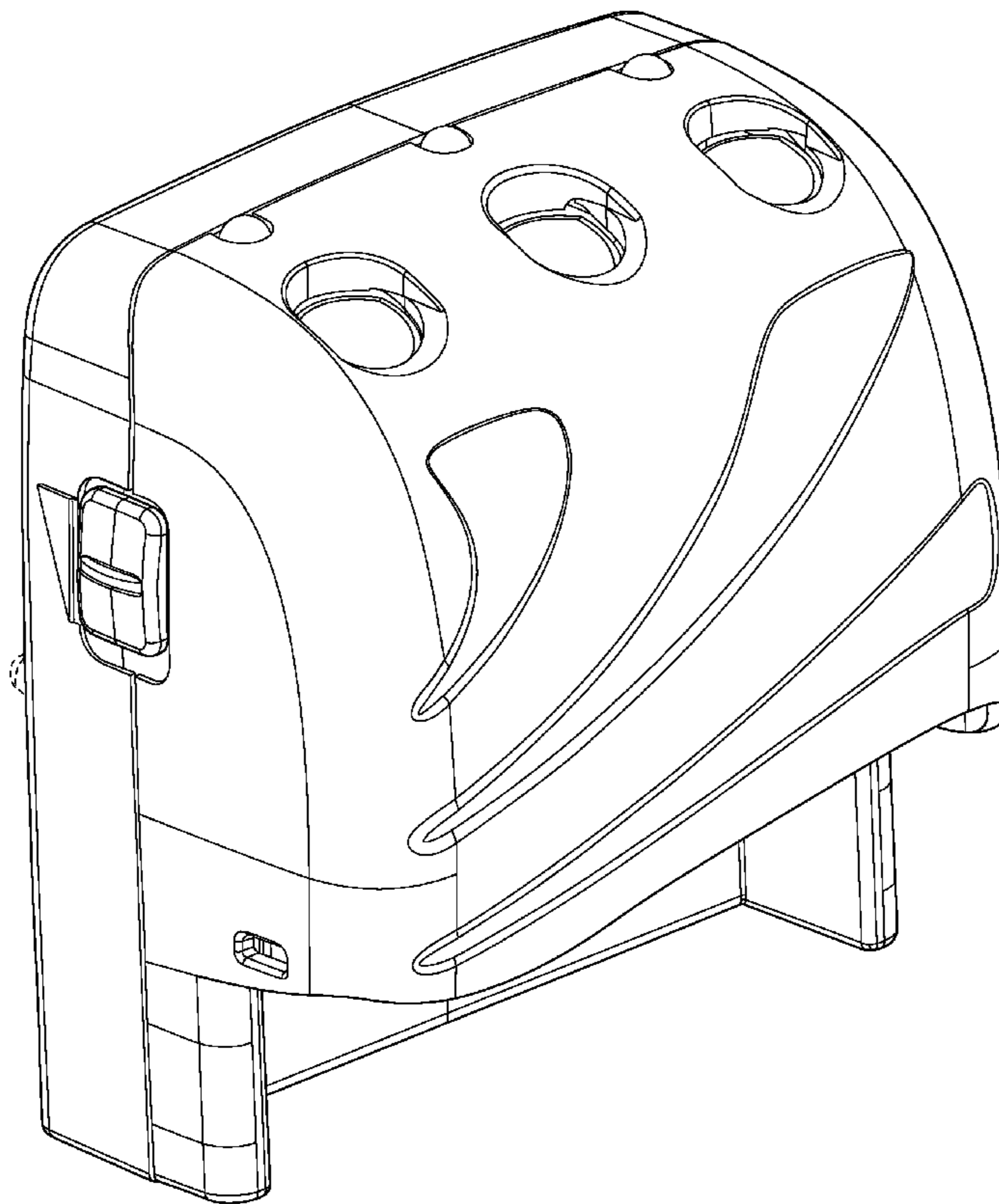
(57) **CLAIM**

We claim, the ornamental design for a diffusing evaporator of volatile substances, as shown and described.

DESCRIPTION

FIG. 1 is a front perspective view of a diffusing evaporator of volatile substances, showing our new design;
FIG. 2 is a front elevation view thereof;
FIG. 3 is a side elevation view thereof taken from the left of FIG. 2;
FIG. 4 is a top plan view thereof;
FIG. 5 is a side elevation view thereof taken from the right of FIG. 2; and,
FIG. 6 is a bottom plan view thereof.
The broken lines shown in the drawings are for illustrative purposes only and form no part of the claimed invention.

1 Claim, 6 Drawing Sheets



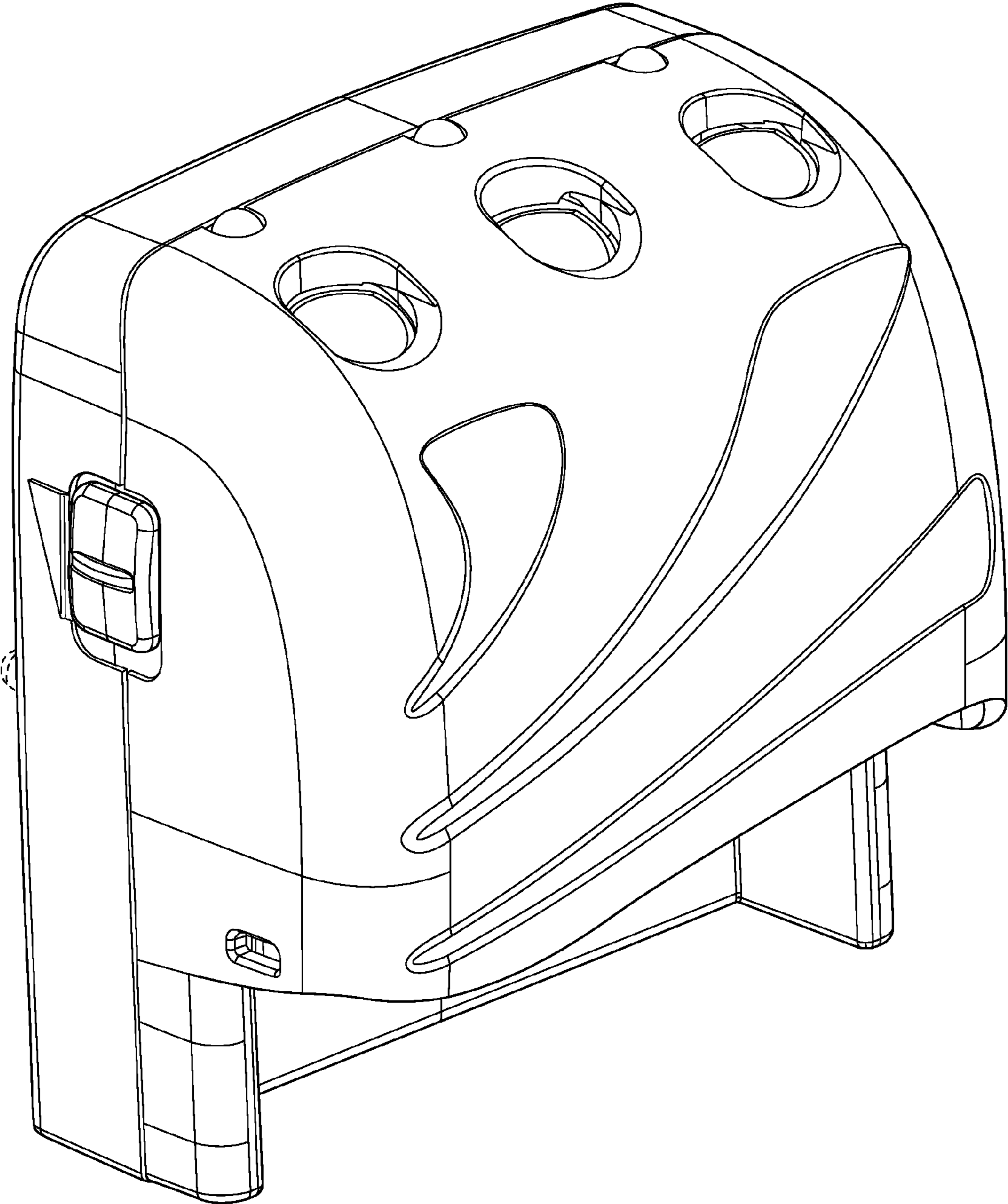


FIG. 1

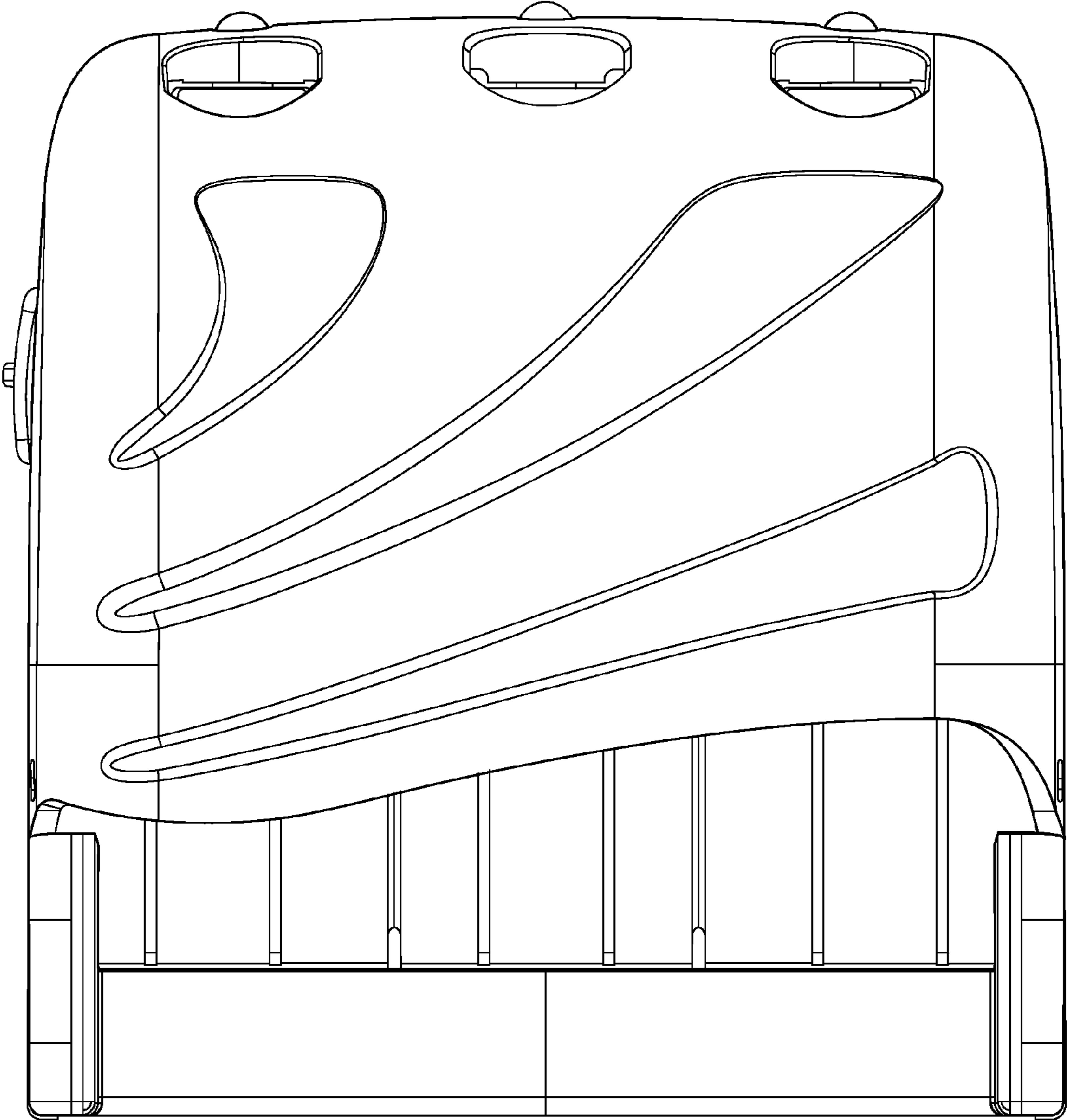


FIG. 2

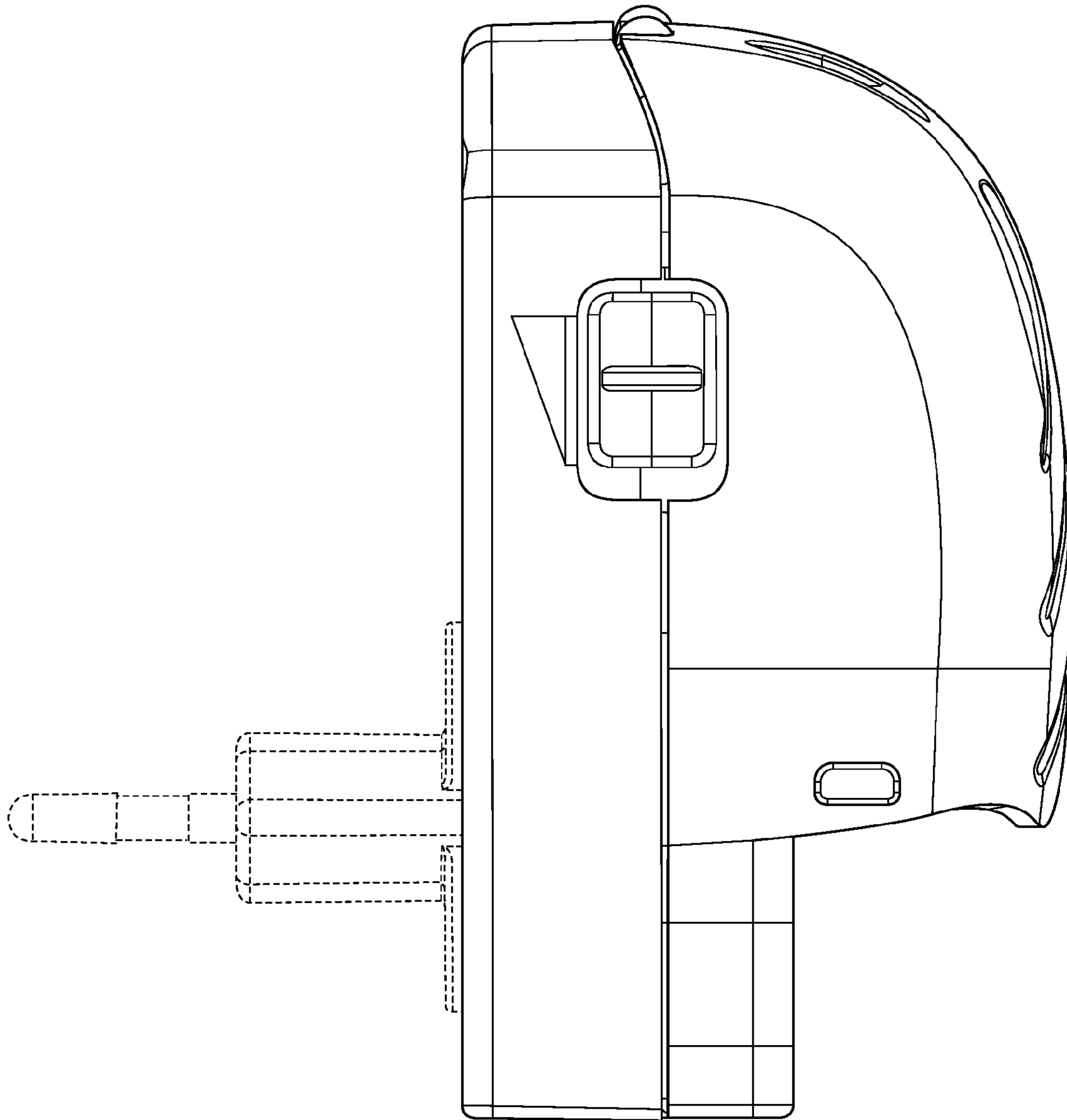


FIG. 3

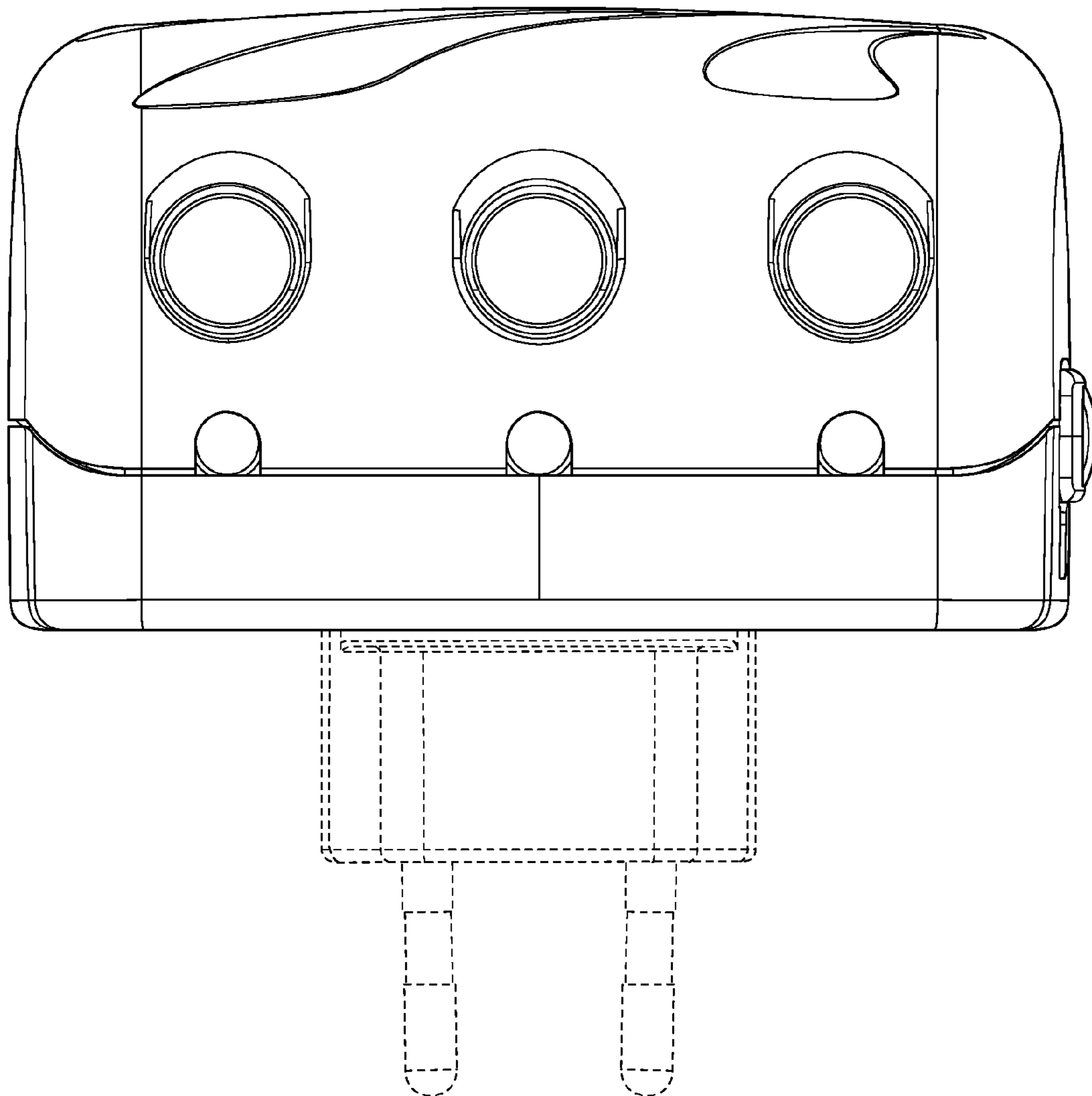


FIG. 4

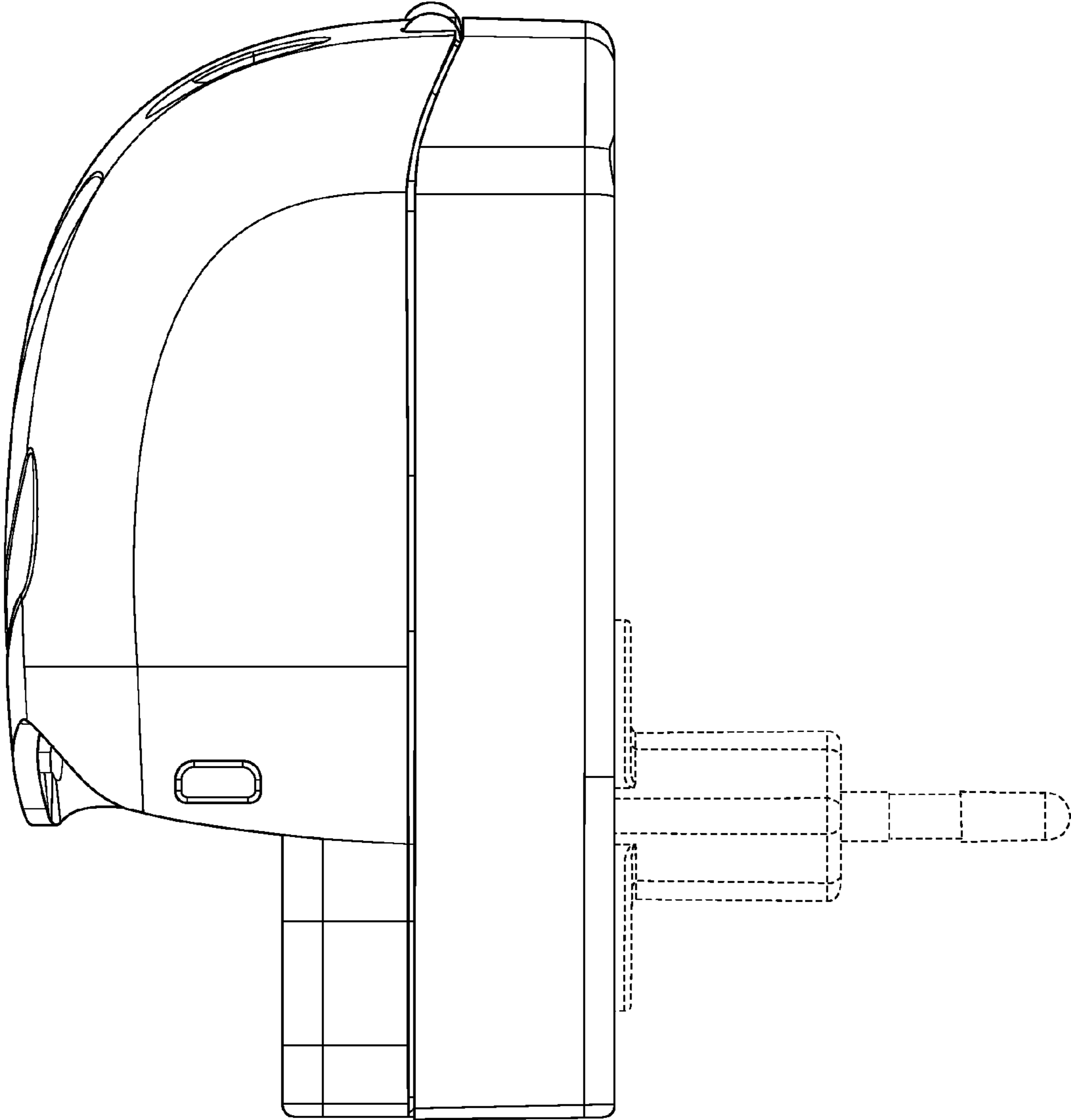


FIG. 5

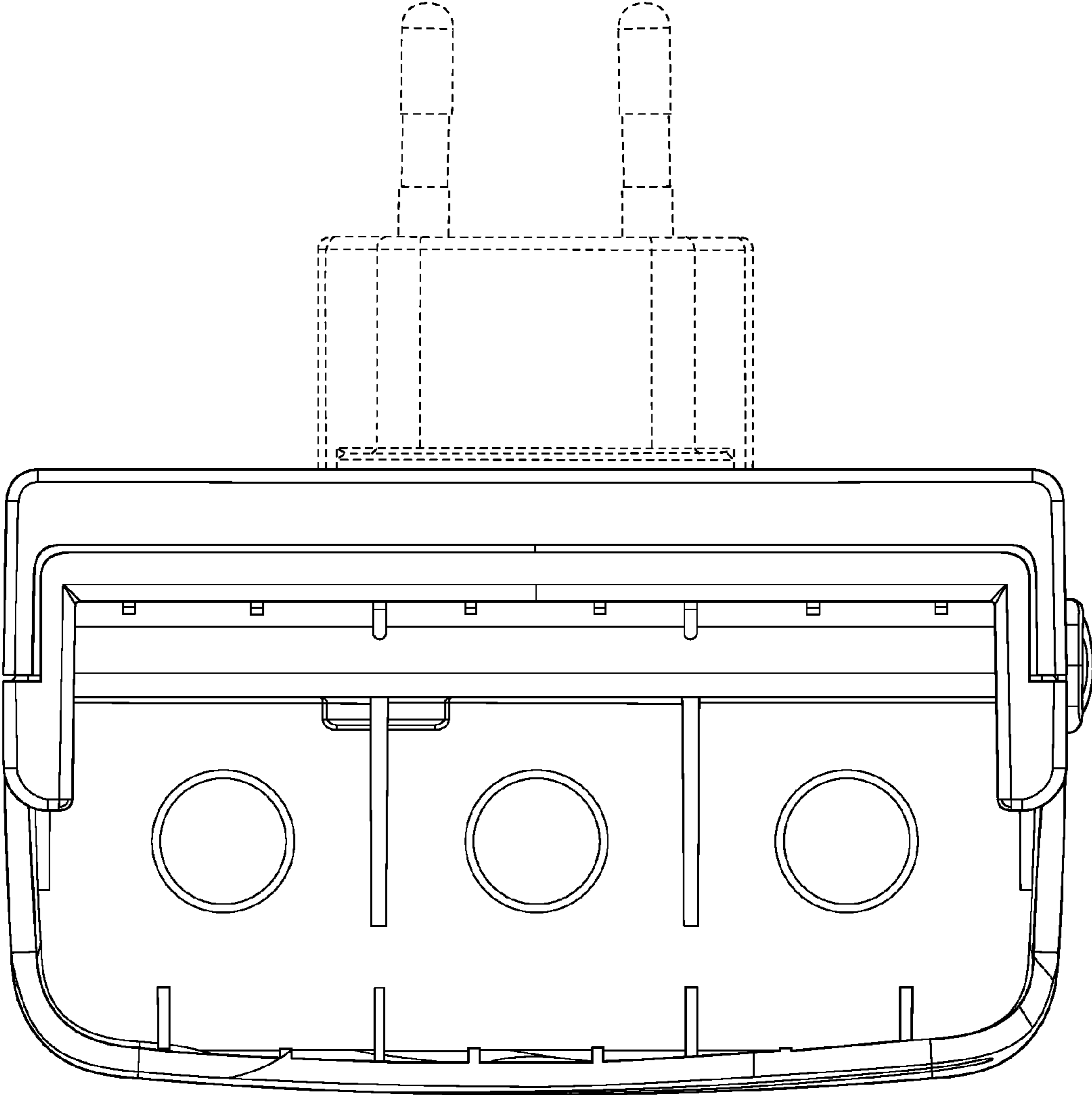


FIG. 6