



US00D647188S

(12) **United States Design Patent**
Bergami

(10) **Patent No.:** **US D647,188 S**

(45) **Date of Patent:** **** Oct. 18, 2011**

(54) **DEVICE FOR FILTERING THE INTAKE AIR OF AN INTERNAL COMBUSTION ENGINE**

(75) Inventor: **Gaetano Bergami**, Medicina (IT)

(73) Assignee: **BMC S.r.l.**, Medicina (IT)

(**) Term: **14 Years**

(21) Appl. No.: **29/315,415**

(22) Filed: **Jun. 23, 2009**

(51) **LOC (9) Cl.** **23-04**

(52) **U.S. Cl.** **D23/365**

(58) **Field of Classification Search** D23/365,
D23/209, 363, 358, 386, 354, 341, 364; 55/385.3,
55/502, 497, 506, 505, 521, 495, 422, 493,
55/321, DIG. 30; 210/497.1; D32/31; D15/5;
D12/194; 181/227, 228, 229, 212, 214
See application file for complete search history.

(56) **References Cited**

U.S. PATENT DOCUMENTS

4,279,326	A *	7/1981	Meineke et al.	181/228
D326,706	S *	6/1992	Karlsson	D23/209
D366,516	S *	1/1996	Stewart	D23/209
D393,705	S *	4/1998	Dure	D23/365
5,783,780	A *	7/1998	Watanabe et al.	181/229
6,415,889	B1 *	7/2002	Wyatt	181/227
6,598,390	B2 *	7/2003	Chang	181/227

D480,030	S *	9/2003	Gilli	D12/194
D490,036	S *	5/2004	Cho	D12/194
D492,634	S *	7/2004	Butterfield et al.	D12/194
D499,177	S *	11/2004	Kosmider et al.	D23/365
7,007,720	B1 *	3/2006	Chase et al.	181/227
7,549,508	B2 *	6/2009	Okawara et al.	181/227

* cited by examiner

Primary Examiner — David Muller

(74) *Attorney, Agent, or Firm* — Ladas & Parry LLP

(57) **CLAIM**

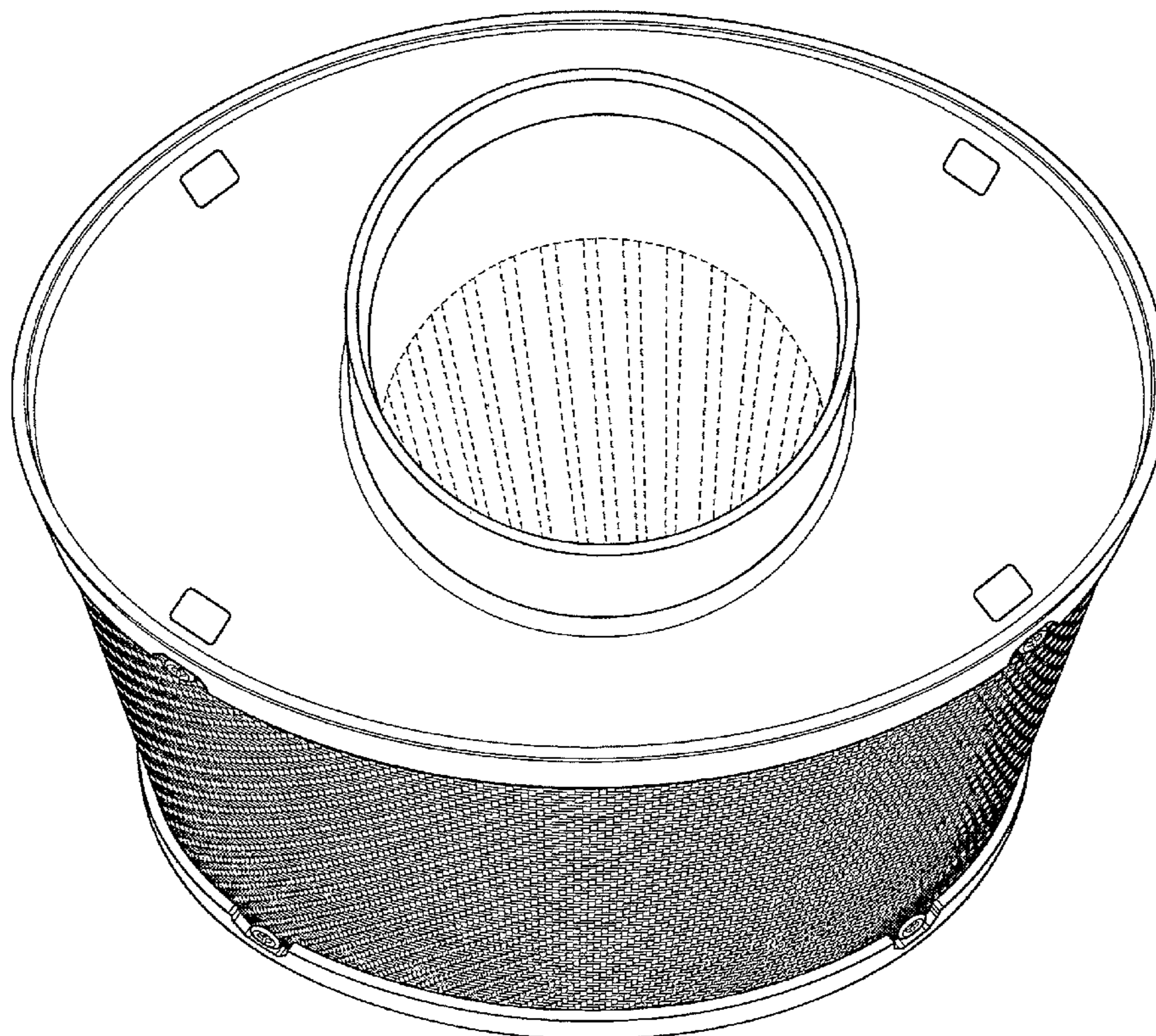
I claim the ornamental design for a device for filtering the intake air of an internal combustion engine, as shown and described.

DESCRIPTION

FIG. 1 is a top perspective view of the device for filtering the intake air of an internal combustion engine of my new design; FIG. 2 shows a different top perspective view thereof; FIG. 3 shows a side view thereof; FIG. 4 shows a different side view thereof; FIG. 5 shows a further different side view thereof; FIG. 6 shows a bottom view thereof; and, FIG. 7 shows a top view thereof.

The broken line showing of parts of the drawings is included for the purpose of illustrating use and environment and forms no part of the claimed design.

1 Claim, 7 Drawing Sheets



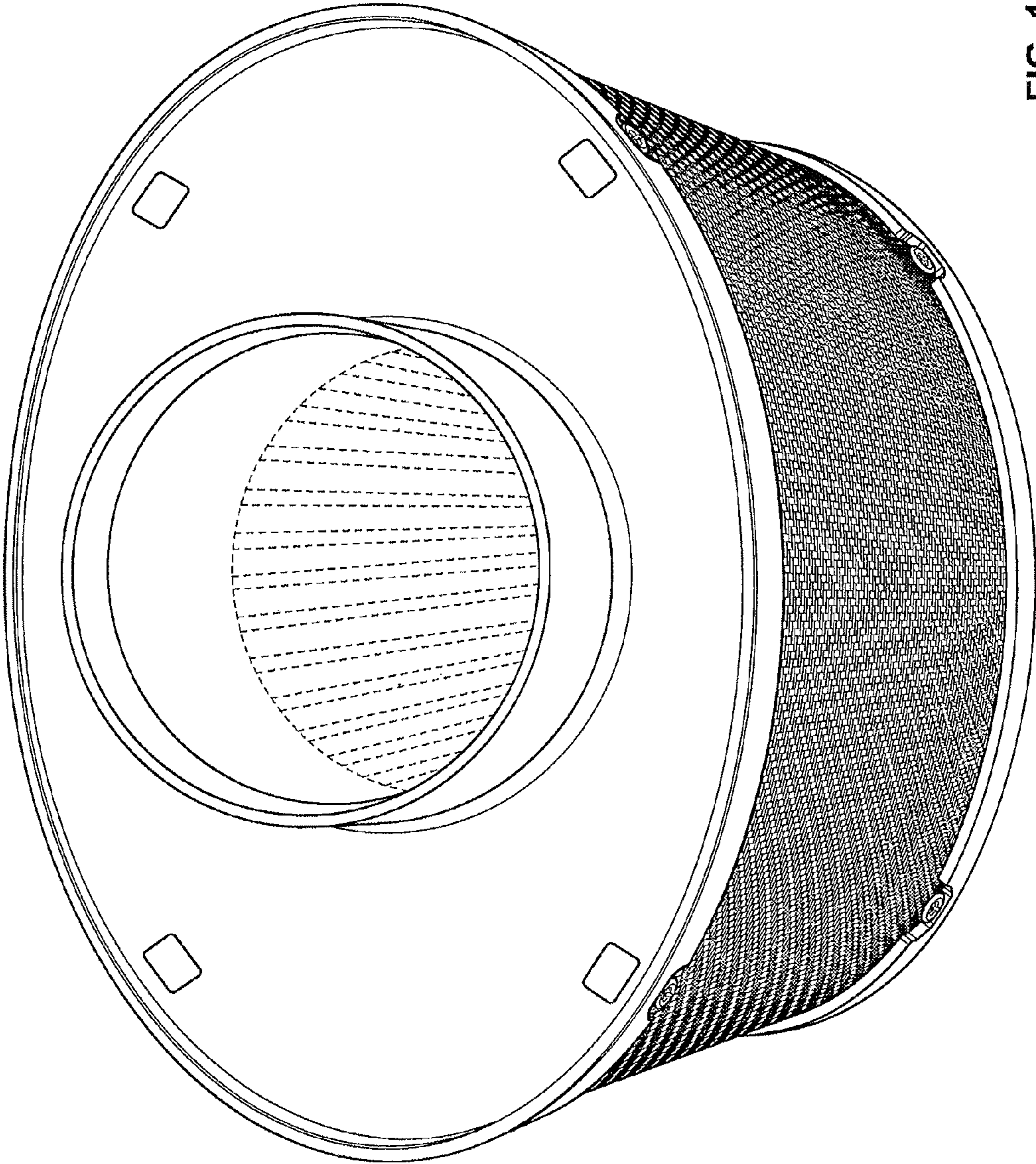


FIG. 1

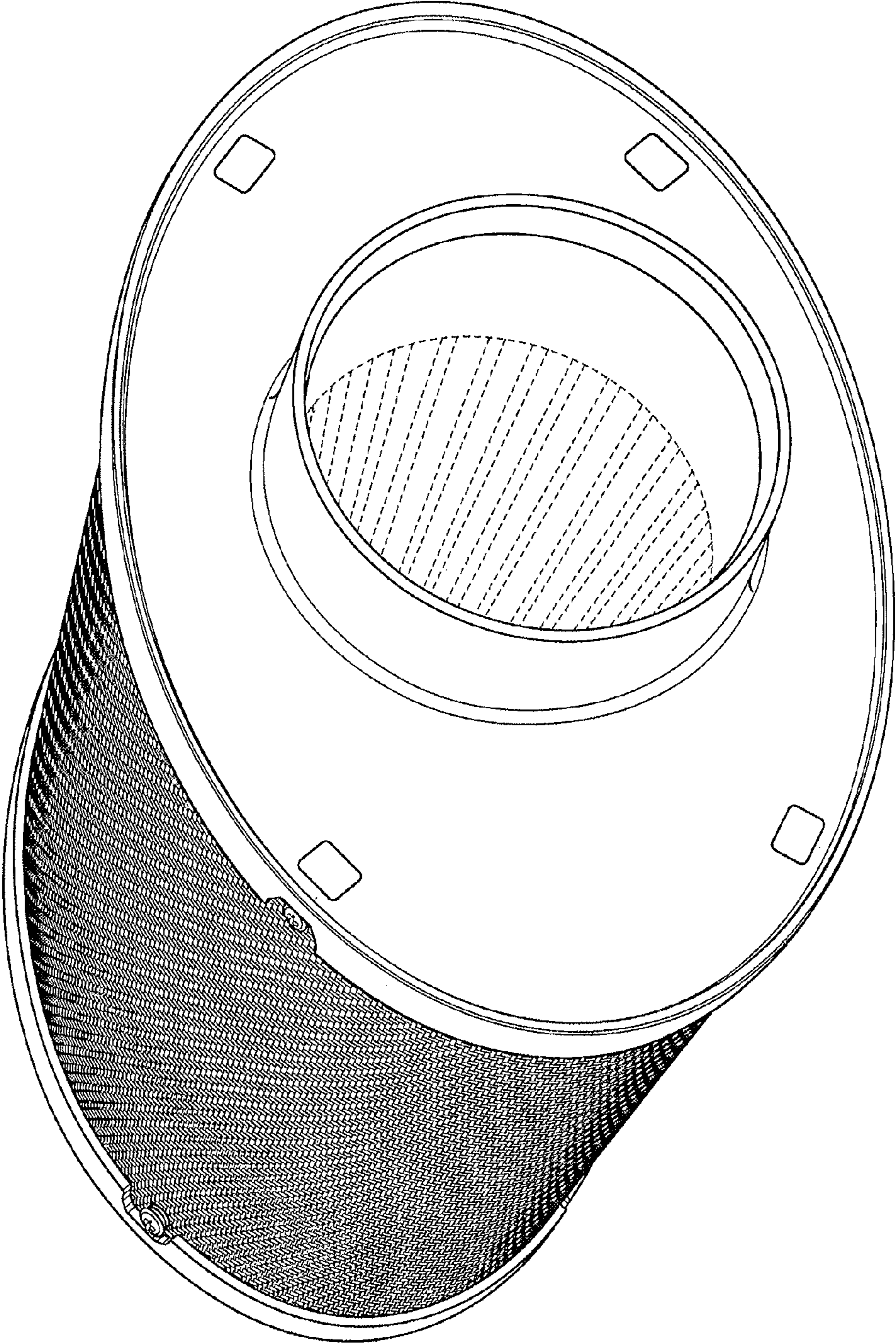


FIG. 2

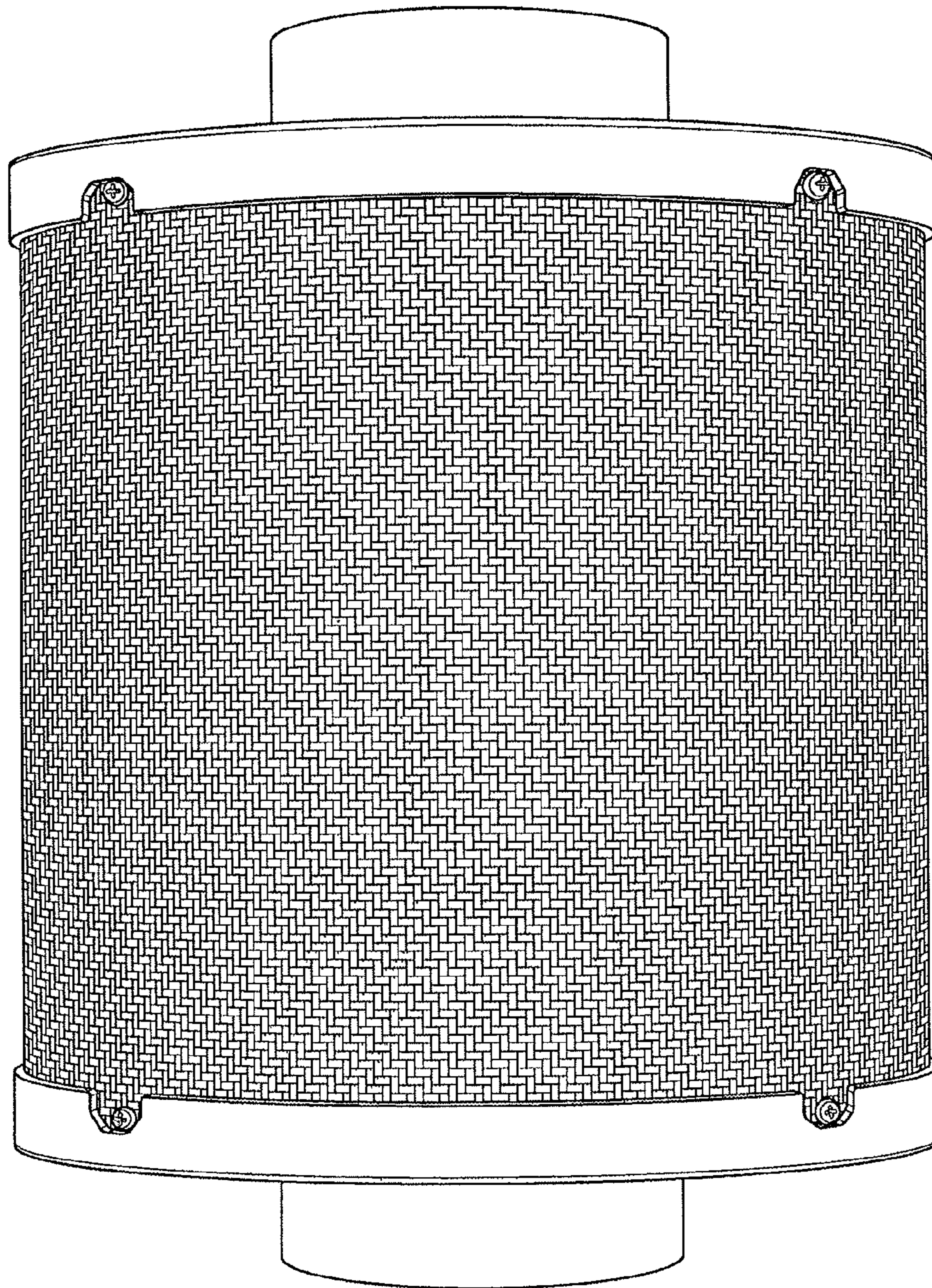


FIG. 3

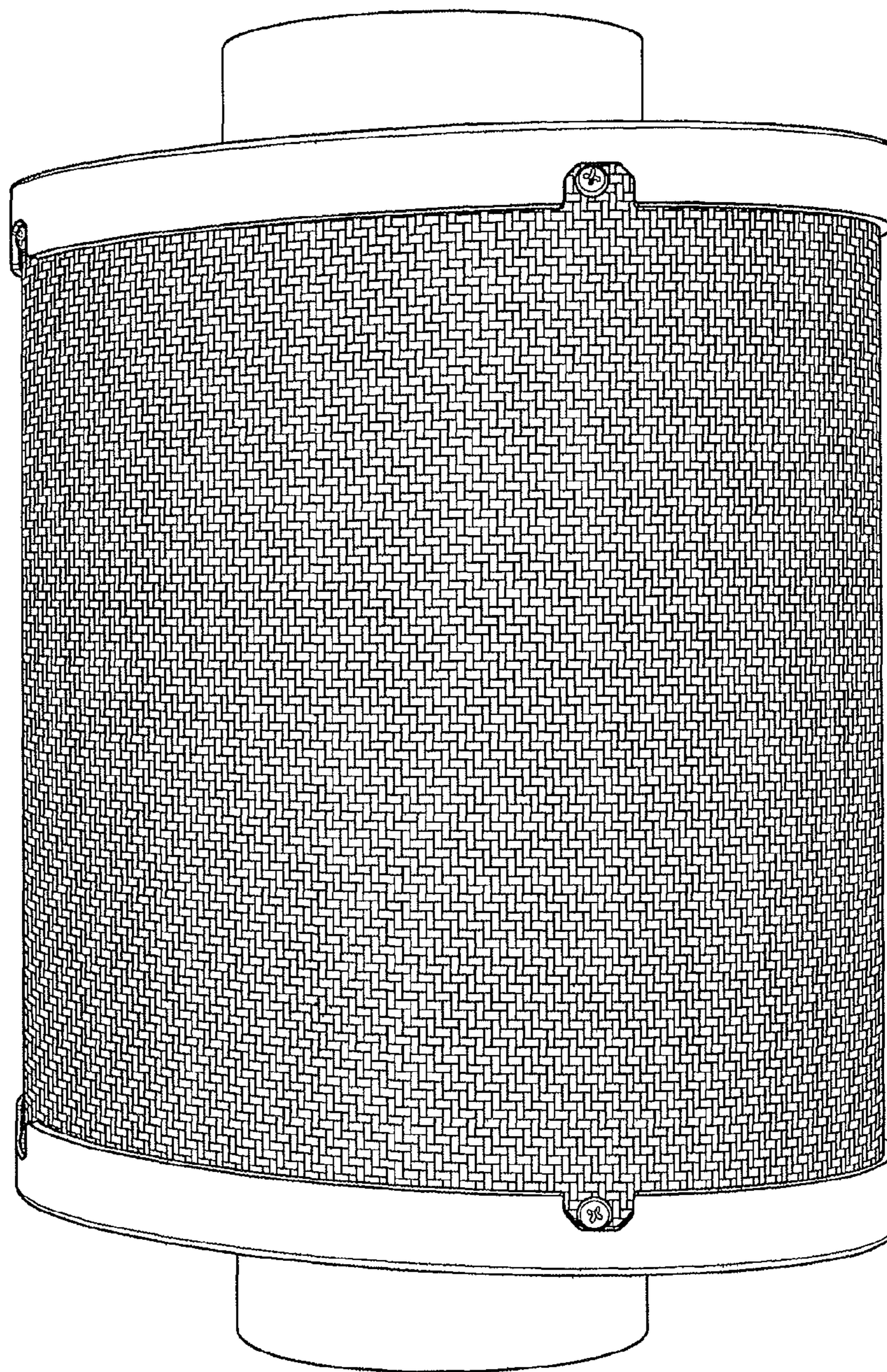


FIG. 4

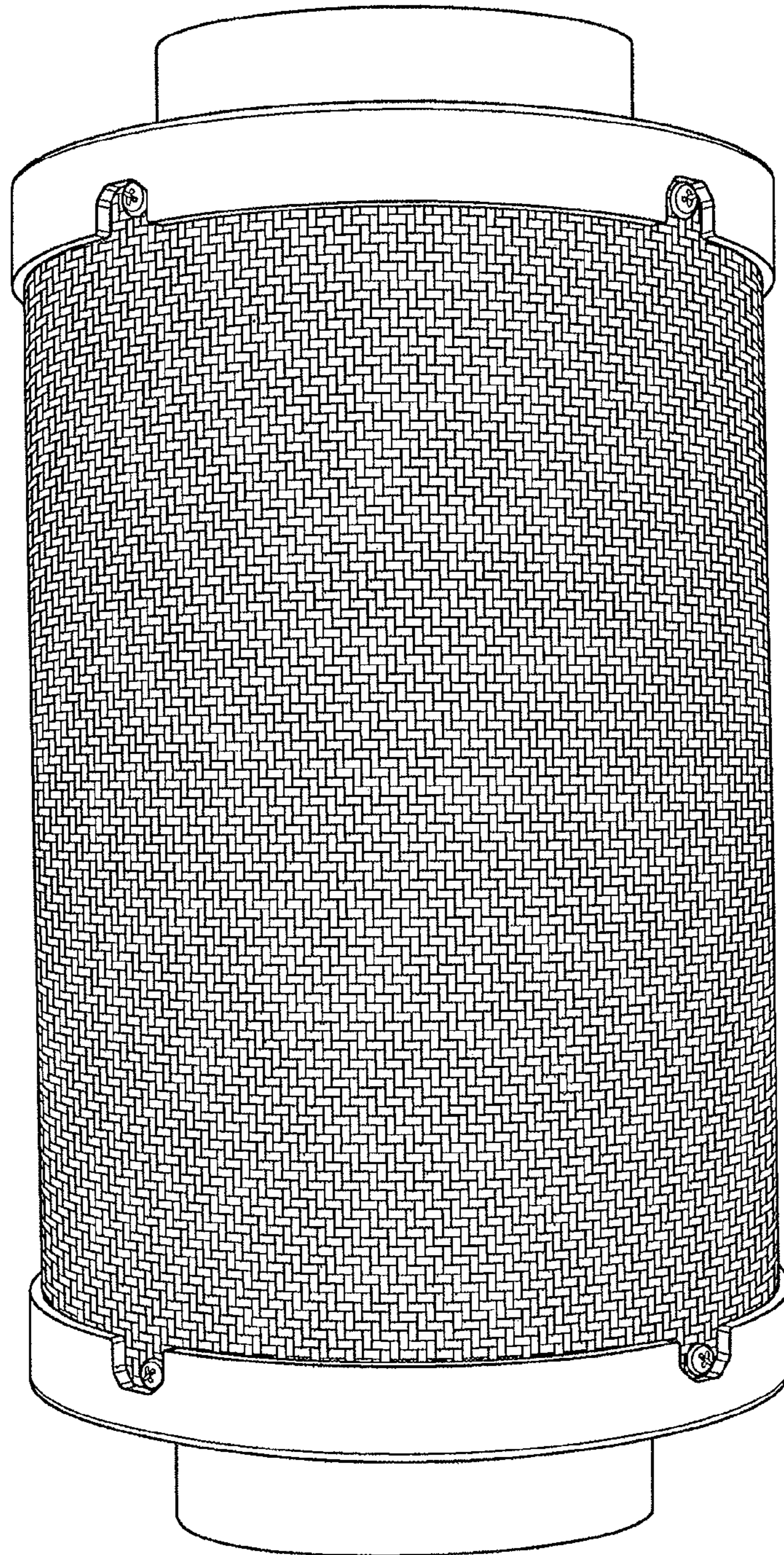


FIG. 5

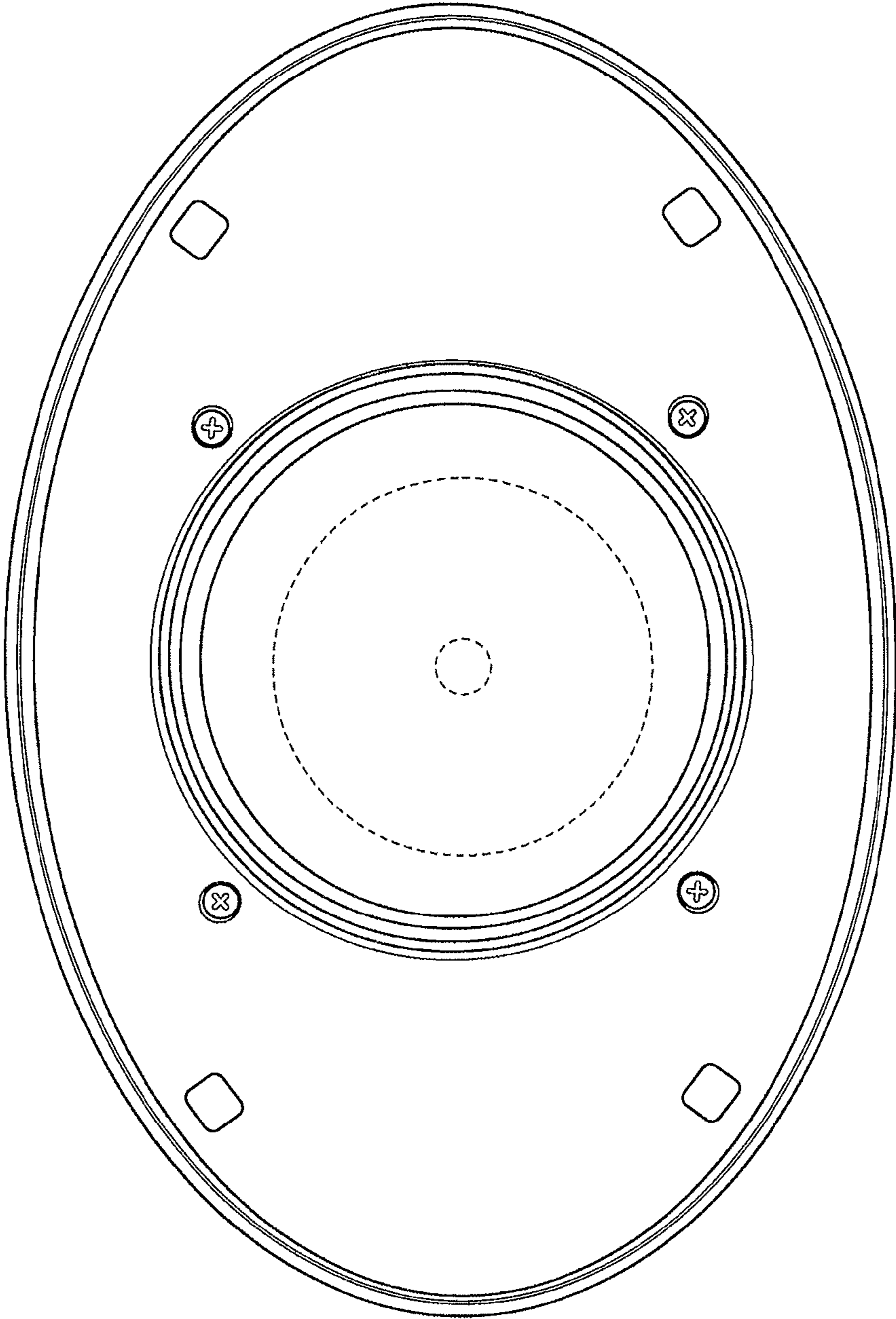


FIG. 6

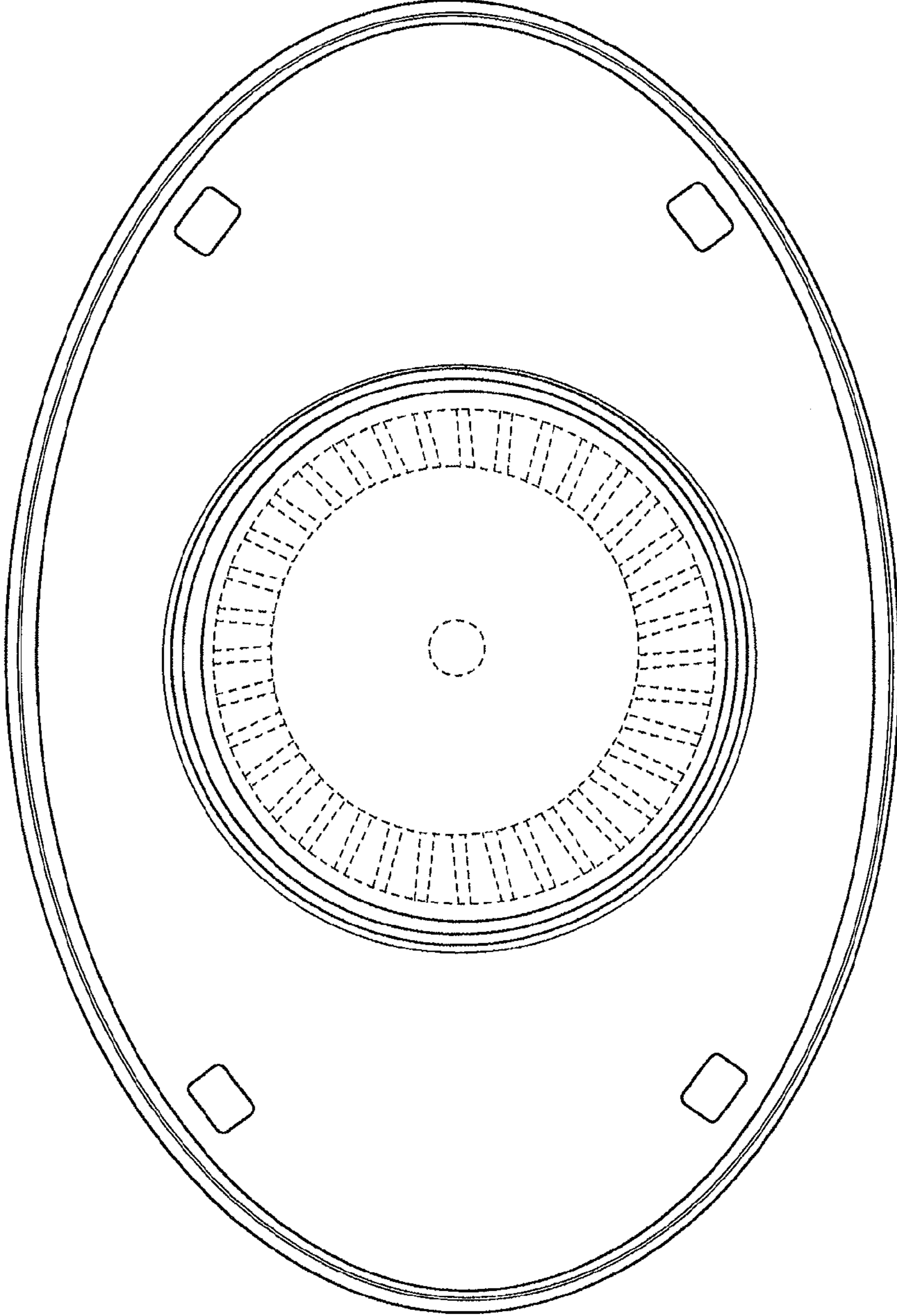


FIG. 7