



US00D647187S

(12) **United States Design Patent**
Chan et al.

(10) **Patent No.:** **US D647,187 S**

(45) **Date of Patent:** **** *Oct. 18, 2011**

(54) **DISPENSER FOR AN AIR TREATMENT COMPOSITION**

(75) Inventors: **Dennis Chan**, Dongguan (CN); **Mark Fernandes**, Warwick (GB); **Peter Kay**, Warwick (GB); **Stuart King**, Warwick (GB); **Paul Marrs**, Hull (GB); **Dan Tyce**, Warwick (GB); **Chris Witty**, Hull (GB); **Simon Woolley**, Hull (GB)

(73) Assignee: **Reckitt & Colman (Overseas) Limited**, Berkshire (GB)

(**) Term: **14 Years**

(21) Appl. No.: **29/359,893**

(22) Filed: **Apr. 16, 2010**

(30) **Foreign Application Priority Data**

Oct. 19, 2009 (EM) 001171656-0004

(51) **LOC (9) Cl.** **23-04**

(52) **U.S. Cl.** **D23/364**

(58) **Field of Classification Search** D23/364, D23/355, 356, 359, 360, 366, 369, 332, 333, D23/335, 342, 351; 422/120, 122; 55/356, 55/473, 504; 96/97; D14/188, 170, 172; 261/DIG. 17, DIG. 65, DIG. 88, DIG. 31
See application file for complete search history.

(56) **References Cited**

U.S. PATENT DOCUMENTS

D510,423 S * 10/2005 Caserta et al. D23/366
D547,850 S * 7/2007 Michaels et al. D23/366

D548,317 S * 8/2007 Newton et al. D23/366
D578,193 S * 10/2008 Lo D23/332
D583,039 S * 12/2008 Kay et al. D23/366
D583,455 S * 12/2008 Kay et al. D23/366
D588,687 S * 3/2009 Drucker et al. D23/366
D597,646 S * 8/2009 Chapman et al. D23/366
D598,527 S * 8/2009 Fitsch D23/356
D604,402 S * 11/2009 Tomas Vilarasa et al. ... D23/366
D604,824 S * 11/2009 Paolazzi et al. D23/366
D612,472 S * 3/2010 Rossi D23/366
D614,755 S * 4/2010 Brewster D23/366

* cited by examiner

Primary Examiner — David Muller

(74) *Attorney, Agent, or Firm* — Norris McLaughlin & Marcus PA

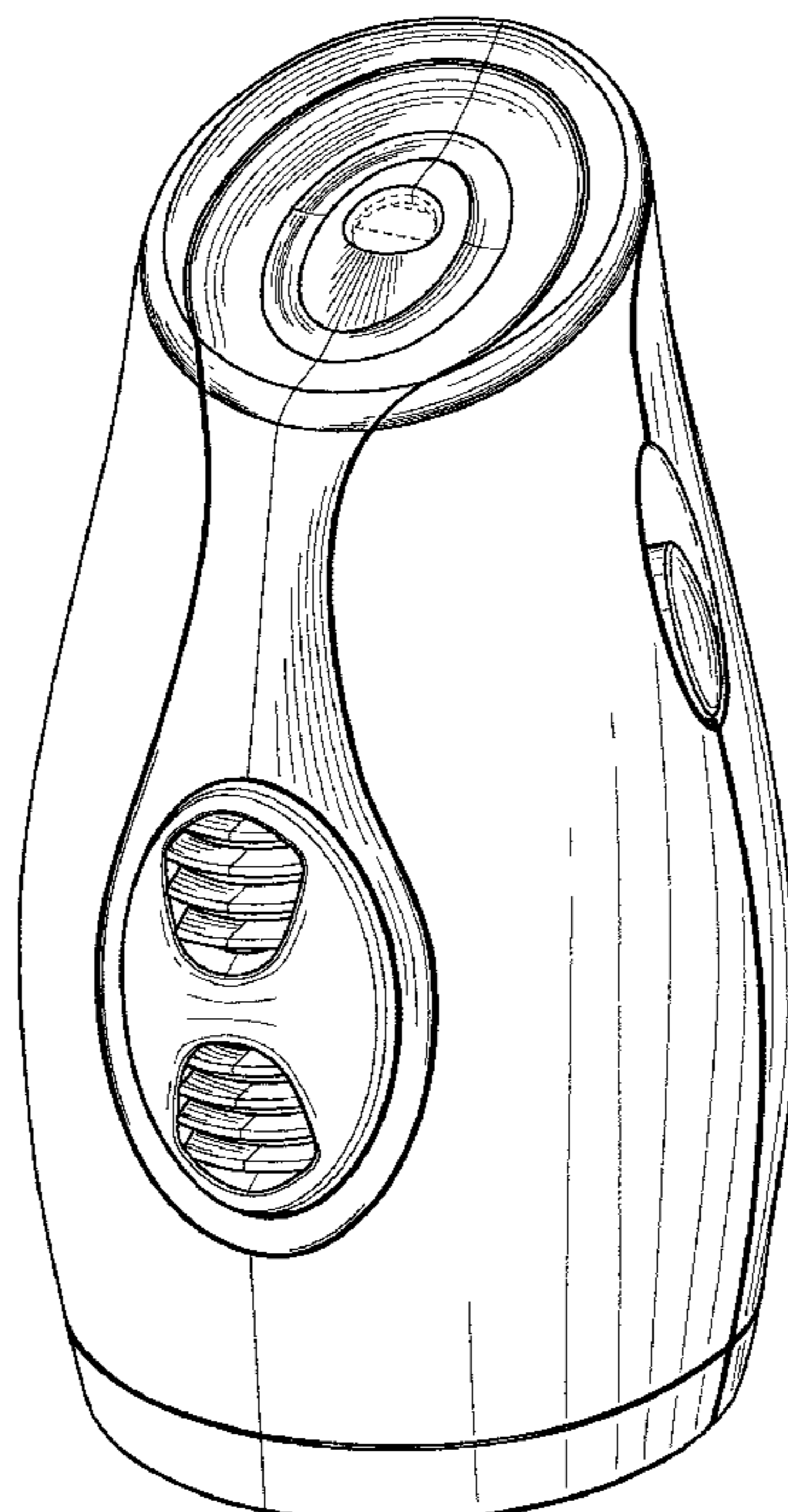
(57) **CLAIM**

The ornamental design for a dispenser for an air treatment composition, as shown and described.

DESCRIPTION

FIG. 1 is a front perspective view of our dispenser for an air treatment composition;
FIG. 2 is a front elevational view thereof;
FIG. 3 is a rear elevational view thereof;
FIG. 4 is a right side elevational view thereof;
FIG. 5 is a left side elevational view thereof;
FIG. 6 is a top plan view thereof; and,
FIG. 7 is a bottom plan view thereof.
The features shown in broken lines in the drawings depict environmental subject matter only, and form no part of the claimed design.

1 Claim, 6 Drawing Sheets



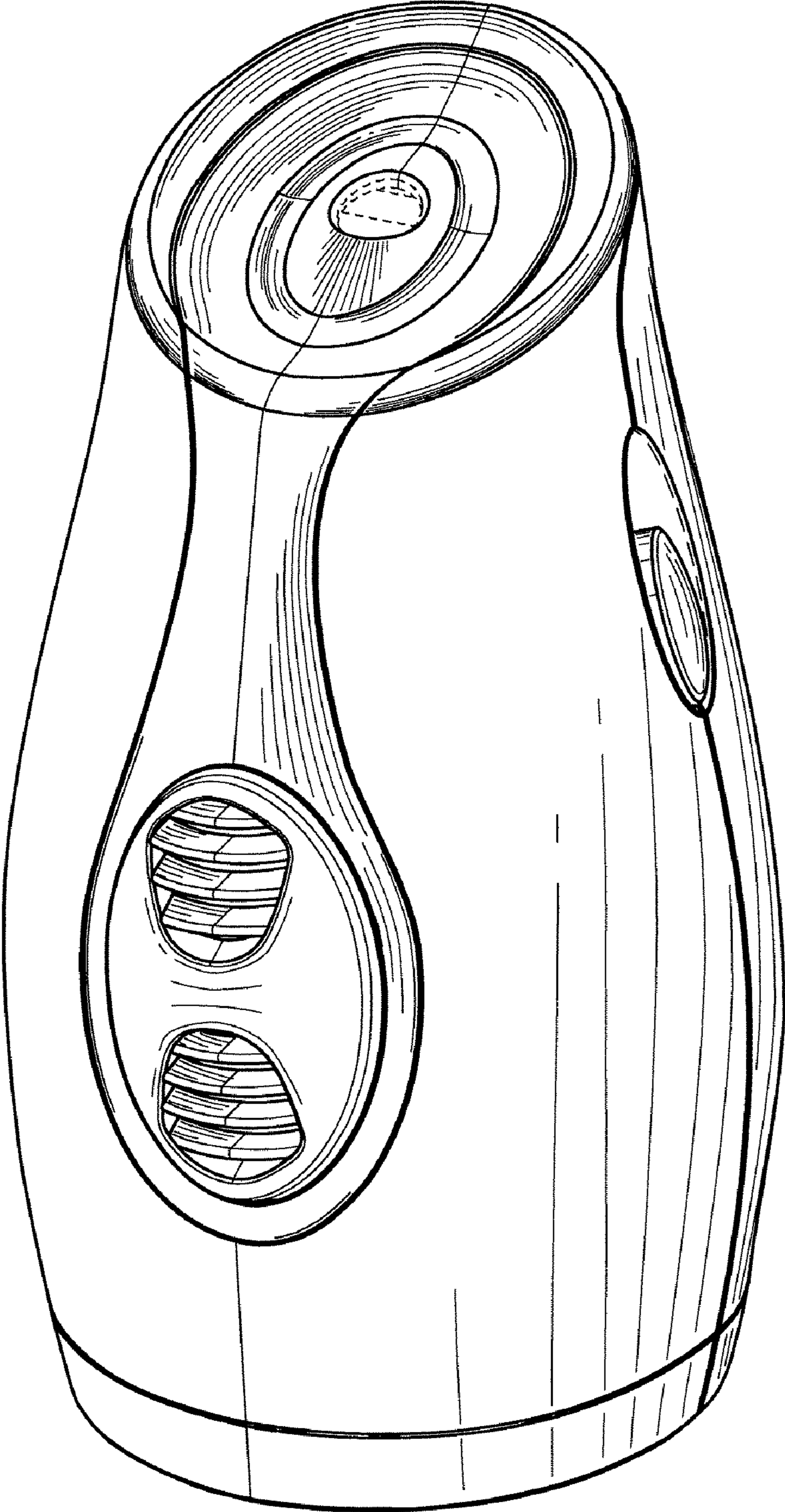


Fig. 1

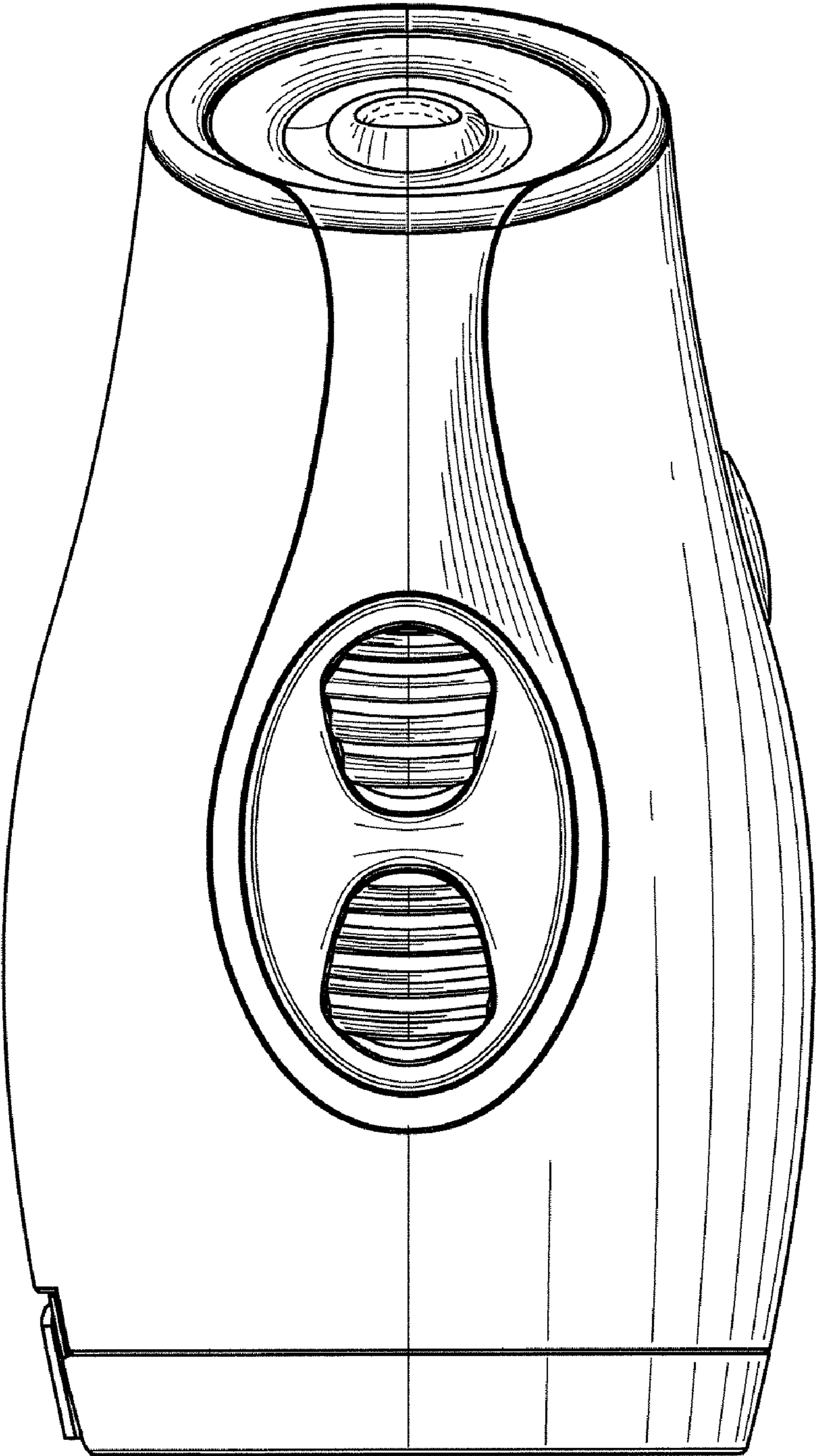


Fig. 2

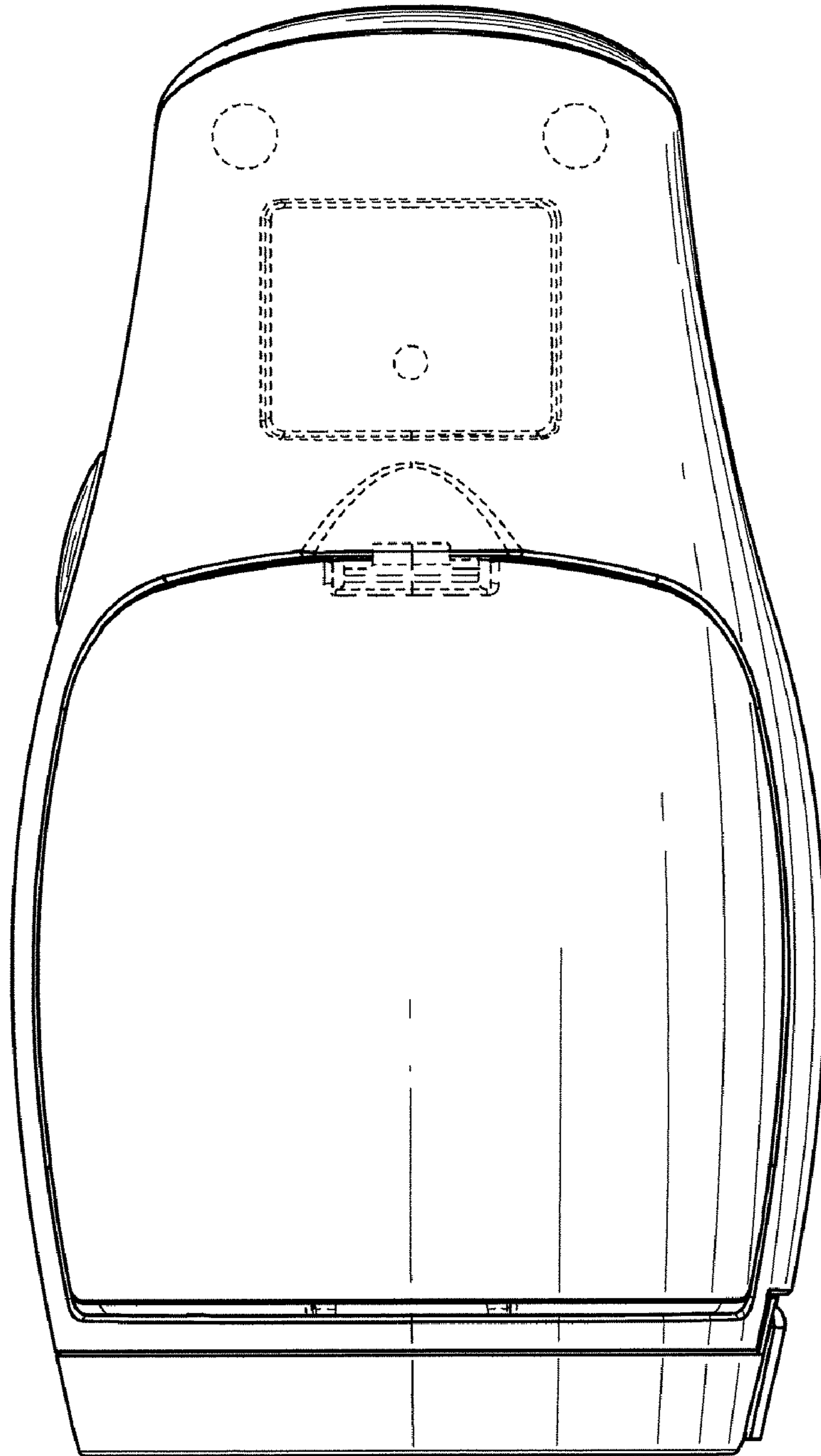


Fig. 3



Fig. 4

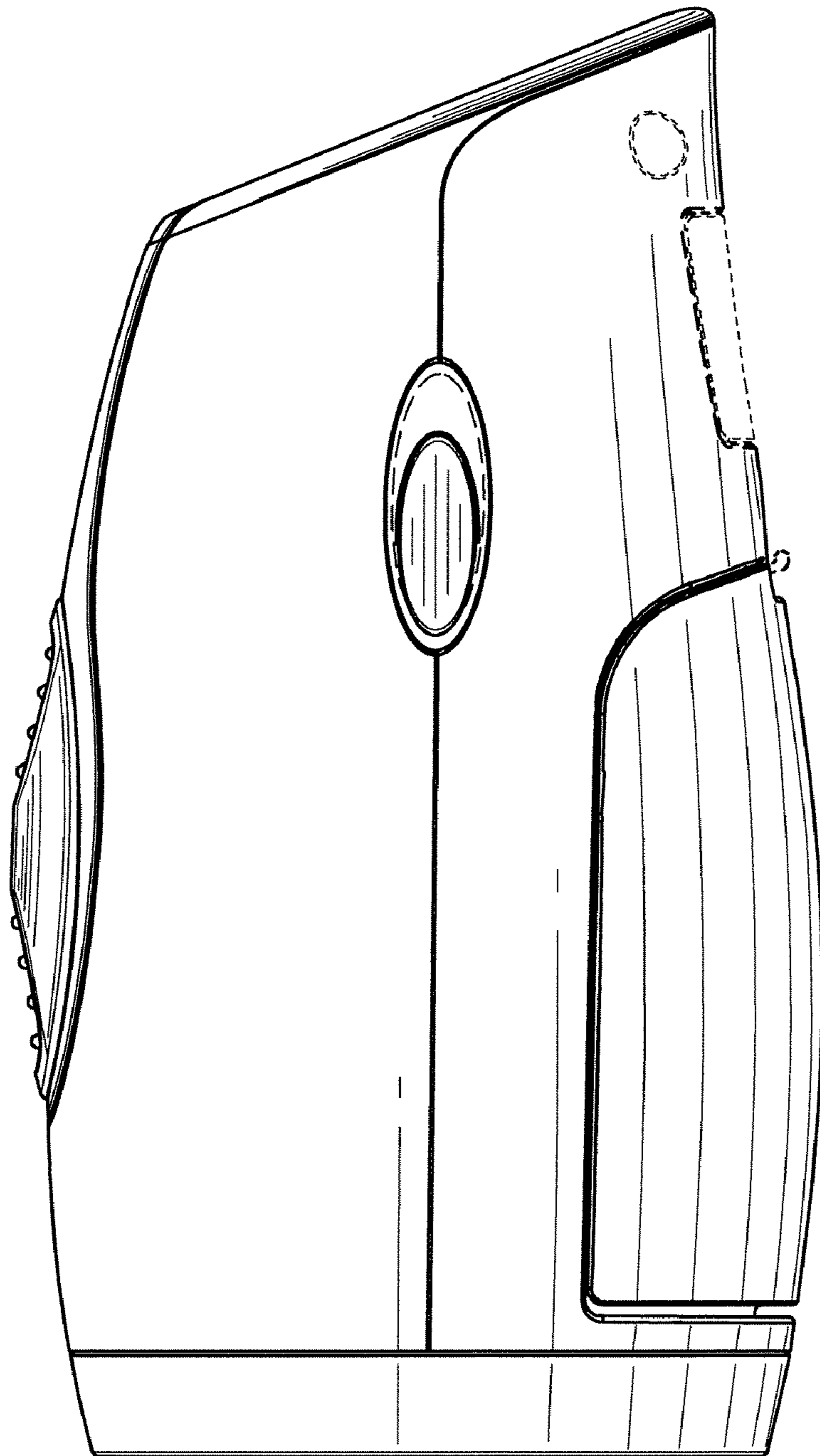


Fig. 5

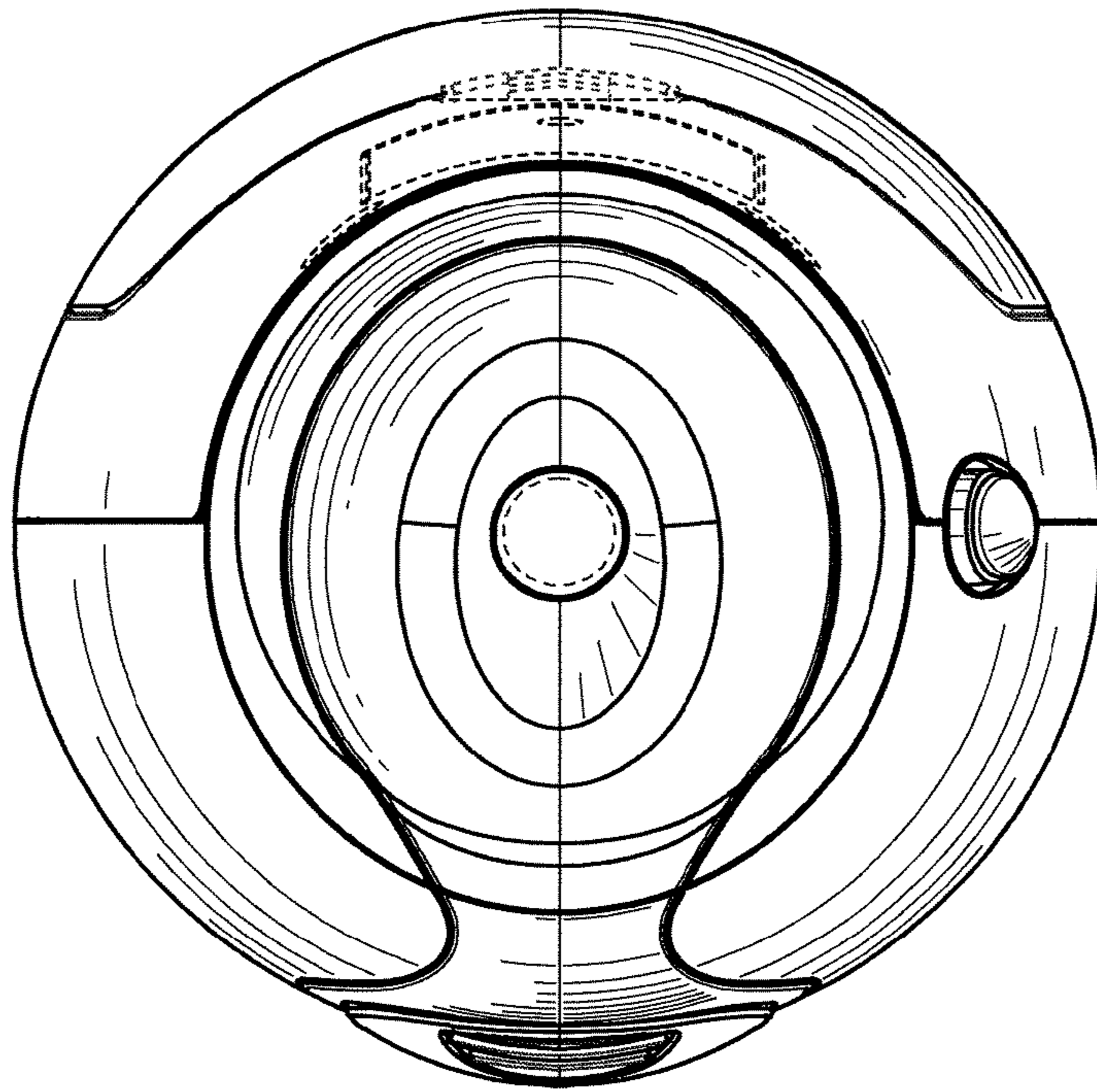


Fig. 6

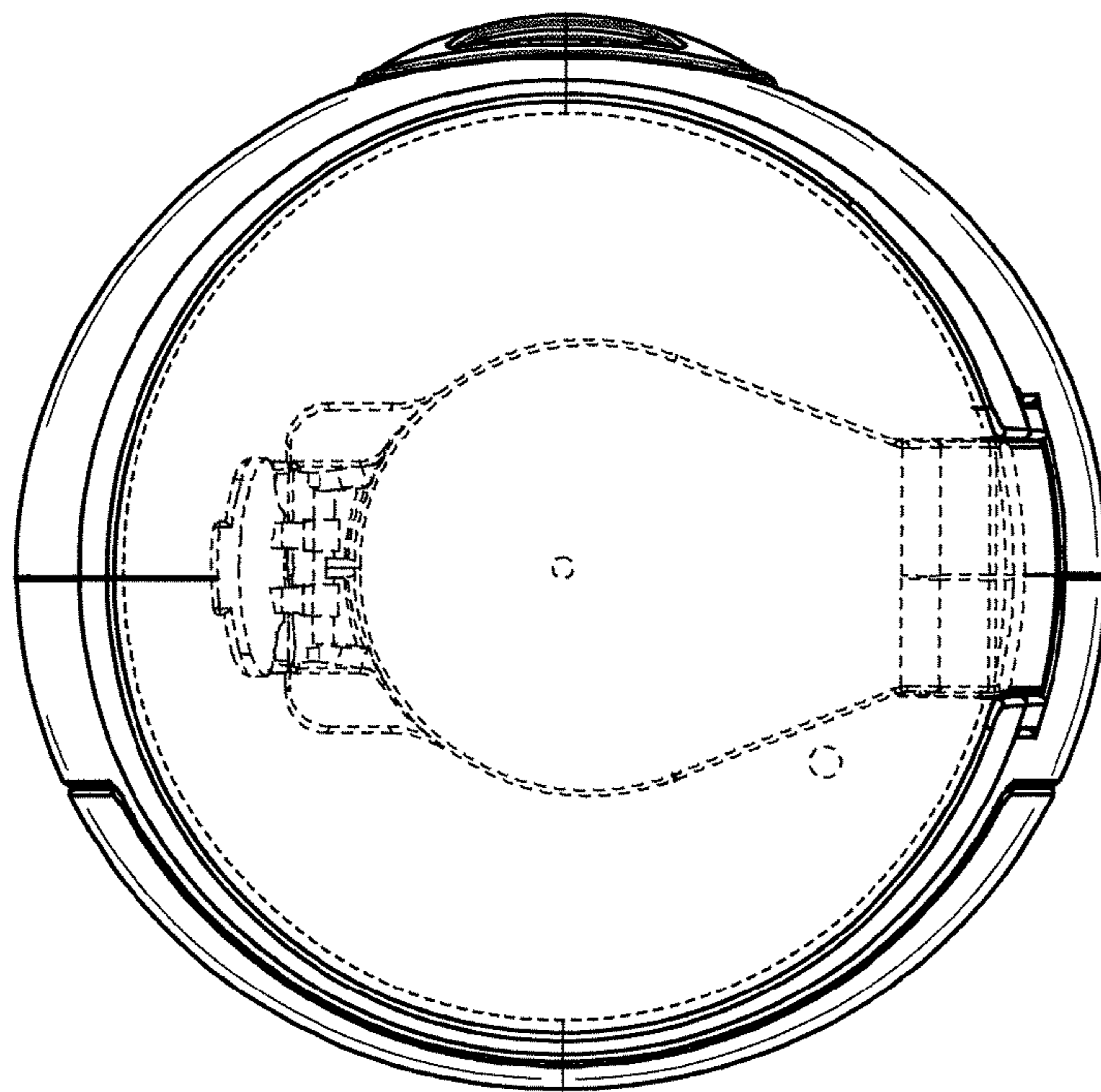


Fig. 7