



US00D647185S

(12) **United States Design Patent**
Gilbert

(10) **Patent No.:** **US D647,185 S**

(45) **Date of Patent:** **** Oct. 18, 2011**

(54) **GRAB BAR**

(75) Inventor: **Christopher Jon Gilbert**, Moreland Hills, OH (US)

(73) Assignee: **Moen Incorporated**, North Olmsted, OH (US)

(**) Term: **14 Years**

(21) Appl. No.: **29/384,976**

(22) Filed: **Feb. 7, 2011**

(51) **LOC (9) Cl.** **23-01**

(52) **U.S. Cl.** **D23/304; D6/546**

(58) **Field of Classification Search** D23/283,
D23/280.2, 303-304; 4/571.1, 573.1; D6/546,
D6/548-550, 525, 527
See application file for complete search history.

5,329,651 A *	7/1994	Mardero et al.	4/571.1
D374,381 S	10/1996	Meisner et al.		
D451,779 S	12/2001	du Sartel		
D456,237 S	4/2002	Sokurenko et al.		
D466,786 S	12/2002	Bourgeois et al.		
D472,416 S	4/2003	Yen		
D493,648 S *	8/2004	Hoernig	D6/549
D497,754 S	11/2004	Graves et al.		
D527,183 S	8/2006	Moon		
D544,330 S	6/2007	Hurley		
D565,709 S	4/2008	Carpenter-Crawford et al.		
D567,915 S	4/2008	Graves et al.		
D571,418 S	6/2008	Gormley		
7,381,157 B2	6/2008	Blateri		
D594,679 S	6/2009	Gilbert		
7,823,230 B2	11/2010	Meyers et al.		
7,883,452 B1	2/2011	Chen		

* cited by examiner

Primary Examiner — Robert Delehanty

(74) *Attorney, Agent, or Firm* — Calfee, Halter & Griswold LLP

(56) **References Cited**

U.S. PATENT DOCUMENTS

2,642,581 A	6/1953	Loe
D189,906 S	3/1961	Best et al.
2,974,746 A	3/1961	Baker
3,028,604 A	4/1962	Warner
D200,762 S	4/1965	Saunders
D218,550 S	9/1970	Friedman
D246,500 S	11/1977	Poulsen et al.
D256,405 S	8/1980	Wheeler
D256,973 S	9/1980	Dexter
D262,551 S	1/1982	Argandona
D268,323 S	3/1983	Schaumloffel
4,887,323 A	12/1989	DiVito et al.
D316,139 S	4/1991	DiVito et al.
D324,414 S	3/1992	Bonnell
D324,563 S	3/1992	Bonnell
D343,554 S	1/1994	Watanabe et al.

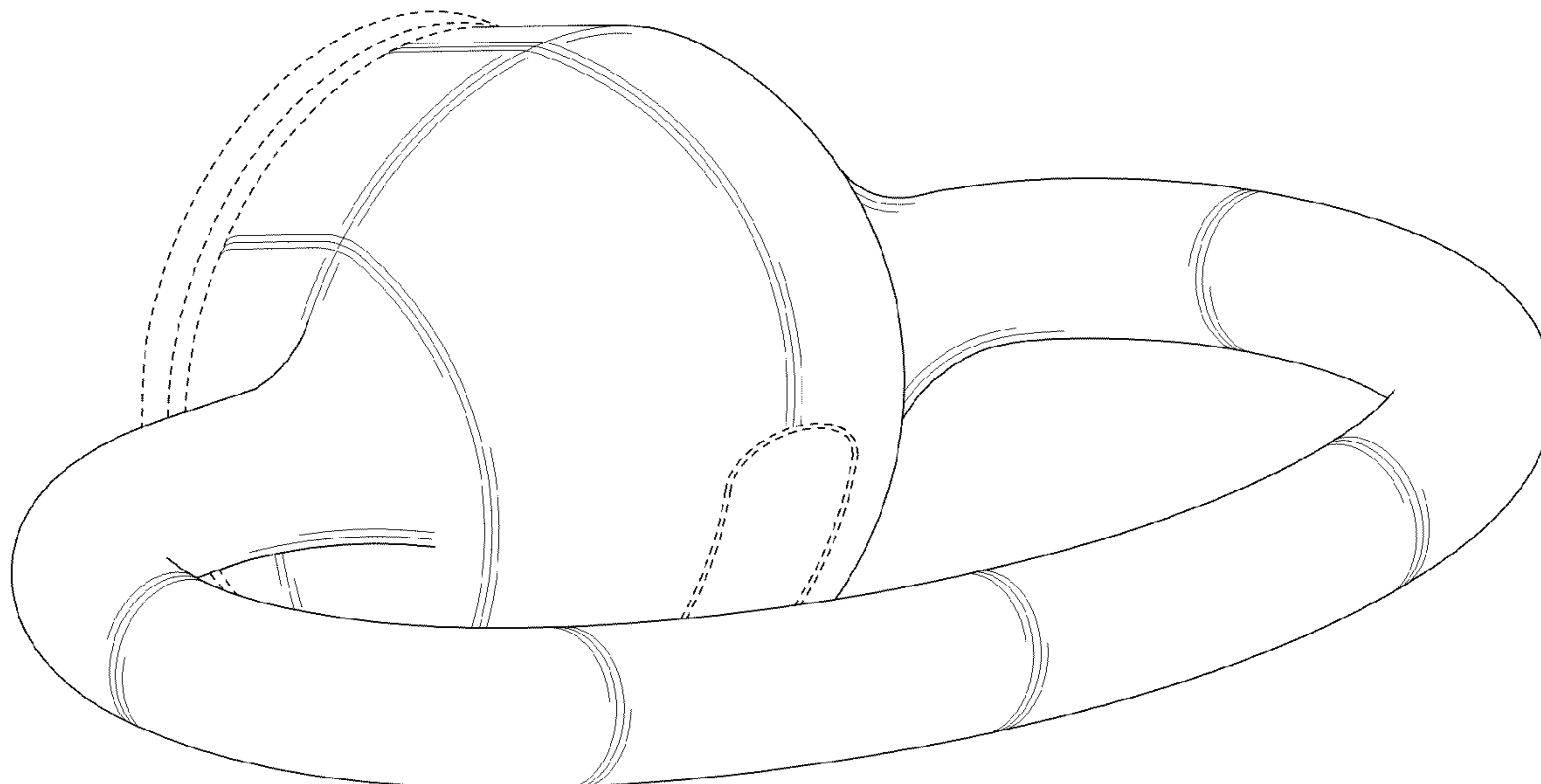
(57) **CLAIM**

The ornamental design for a grab bar, as shown and described.

DESCRIPTION

FIG. 1 is a perspective view of a grab bar of the new design; FIG. 2 is a front elevational view of the grab bar of FIG. 1; FIG. 3 is a rear elevational view of the grab bar of FIG. 1; FIG. 4 is a left side elevational view of the grab bar of FIG. 1, the right side elevational view being a mirror image thereof; FIG. 5 is a top plan view of the grab bar of FIG. 1; and, FIG. 6 is a bottom plan view of the grab bar of FIG. 1. The portions of the Figures shown in broken lines are not part of the claimed design and are for illustration only.

1 Claim, 3 Drawing Sheets



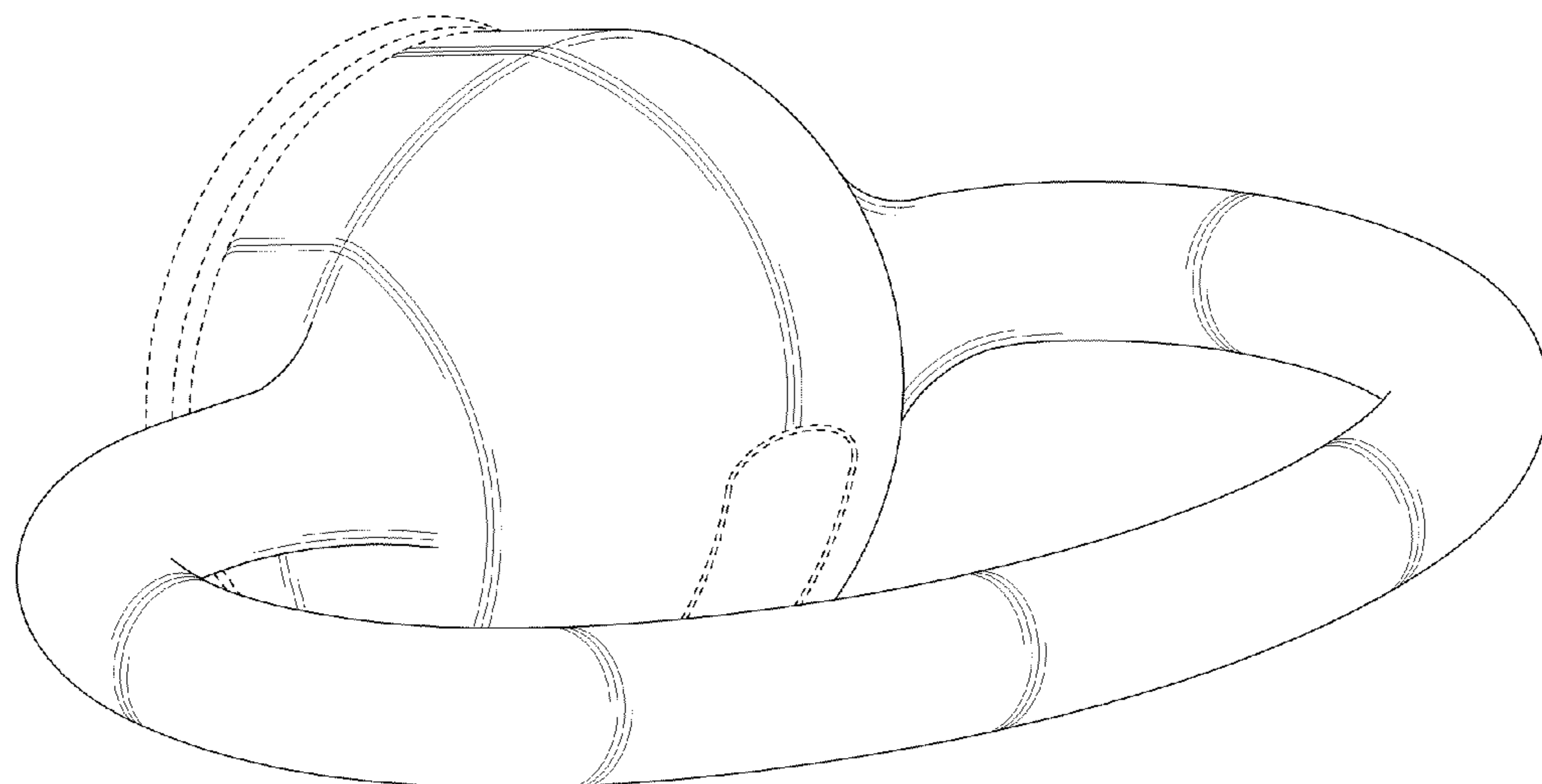


FIG. 1

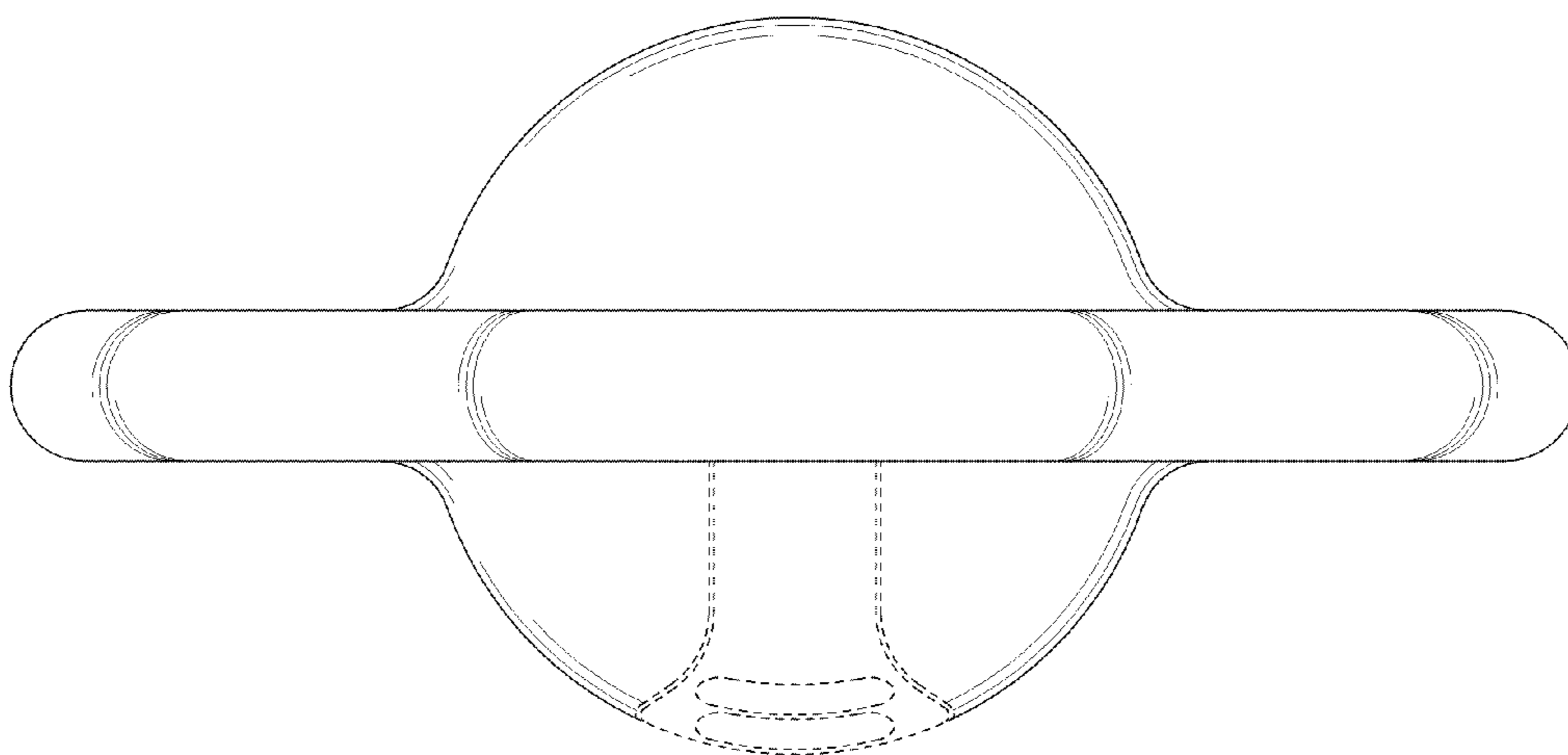


FIG. 2

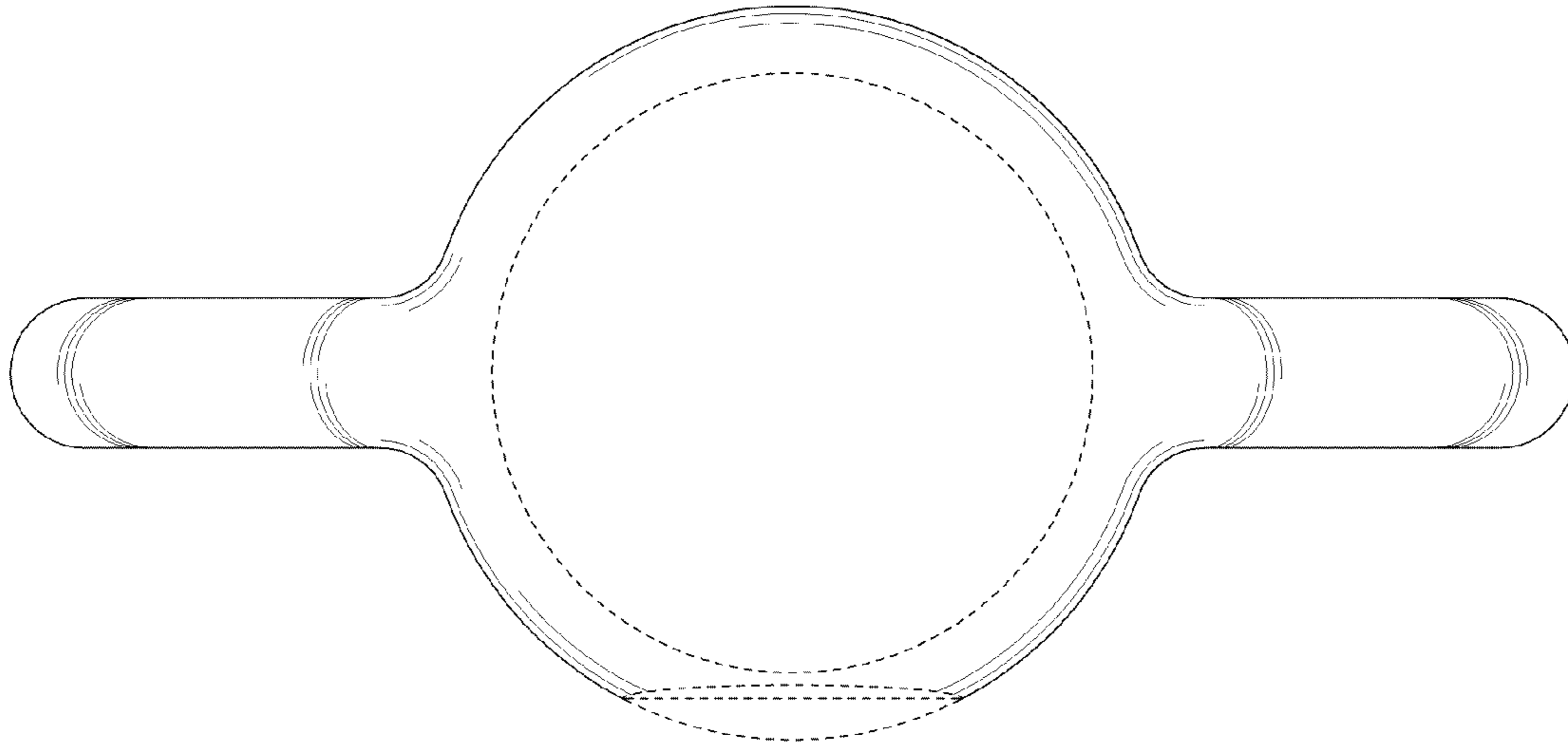


FIG. 3

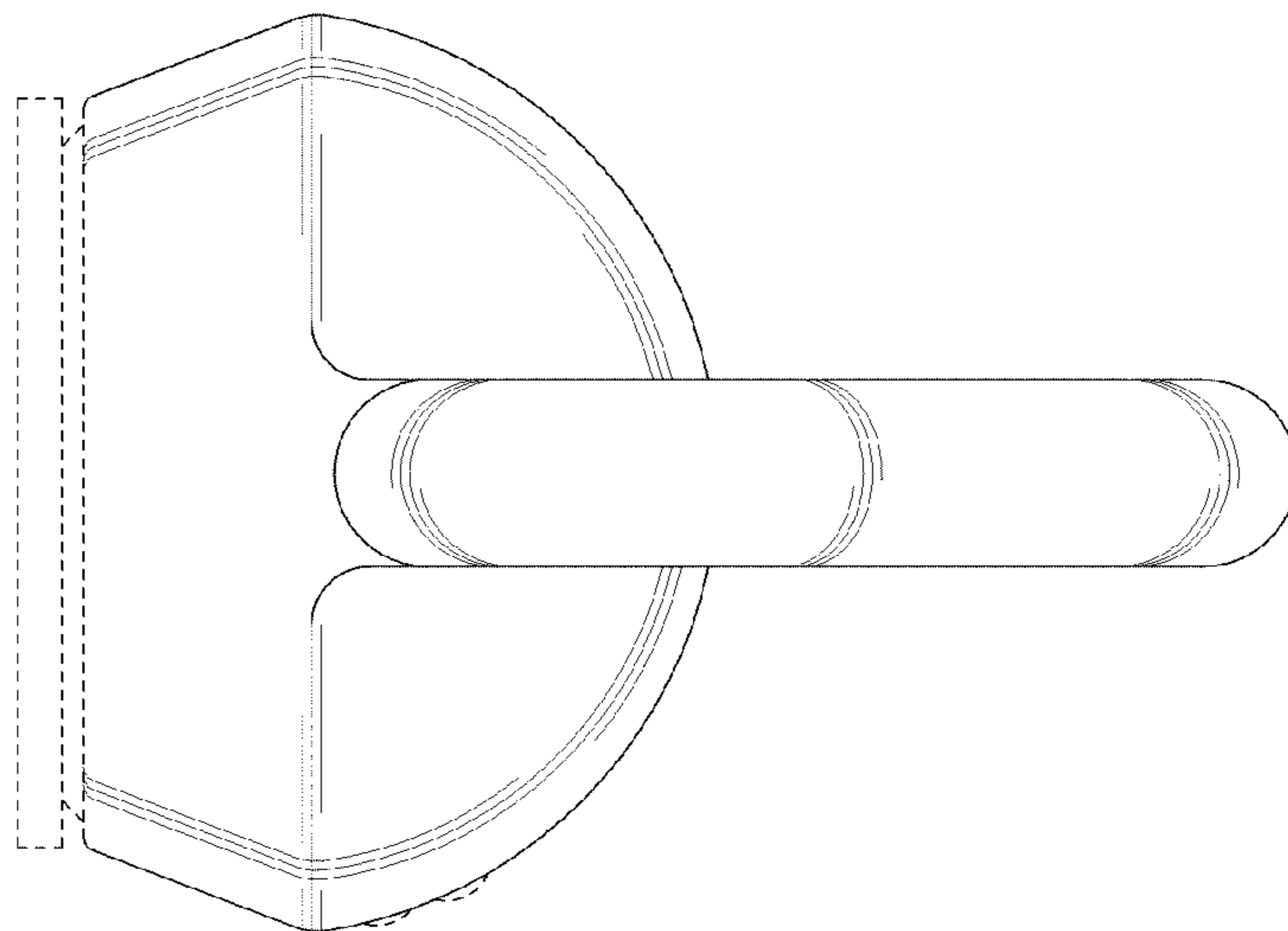


FIG. 4

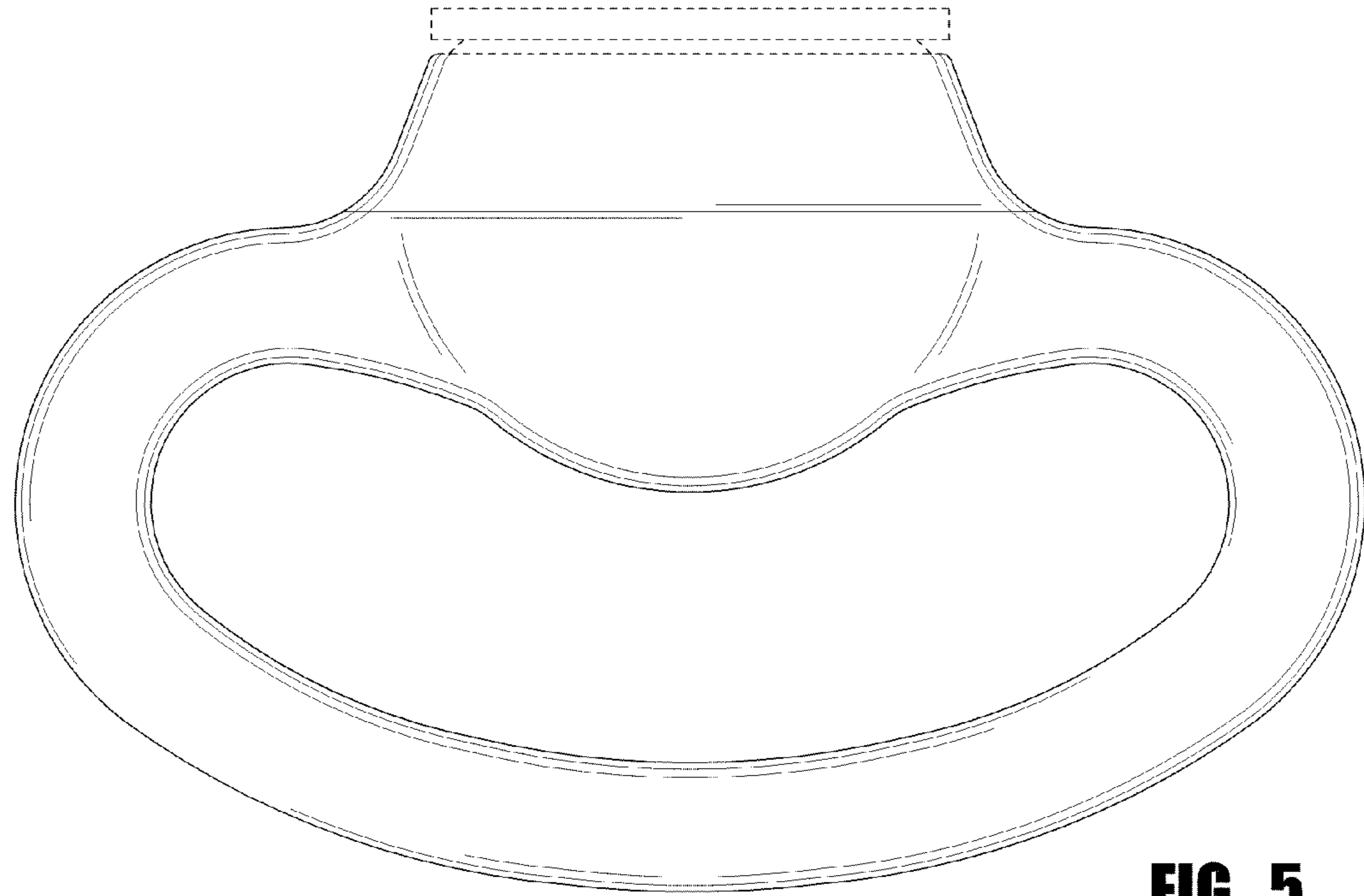


FIG. 5

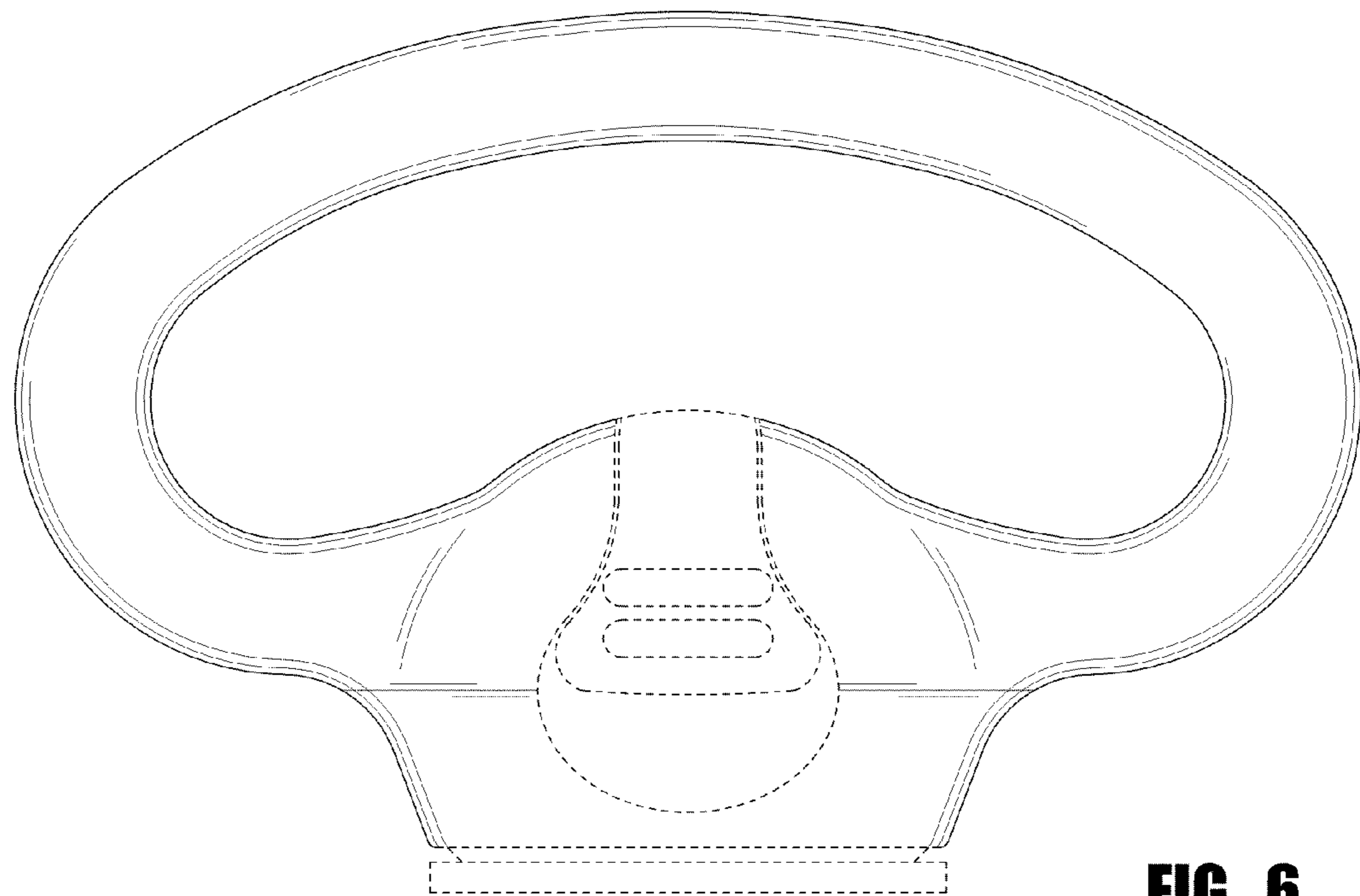


FIG. 6