



US00D647184S

(12) **United States Design Patent**  
**Bates**

(10) **Patent No.:** **US D647,184 S**

(45) **Date of Patent:** **\*\* Oct. 18, 2011**

(54) **PLUMBING FIXTURE**

(75) Inventor: **Michael R. Bates**, Sheboygan, WI (US)

(73) Assignee: **Kohler Co.**, Kohler, WI (US)

(\*\*) Term: **14 Years**

(21) Appl. No.: **29/391,335**

(22) Filed: **May 6, 2011**

**Related U.S. Application Data**

(62) Division of application No. 29/357,733, filed on Mar. 16, 2010, now Pat. No. Des. 639,918.

(51) **LOC (9) Cl.** ..... **23-02**

(52) **U.S. Cl.** ..... **D23/295**

(58) **Field of Classification Search** ..... D23/295,  
D23/301, 303, 309, 313; 4/300, 329, 353  
See application file for complete search history.

(56) **References Cited**

**U.S. PATENT DOCUMENTS**

D621,013 S \* 8/2010 Bucher ..... D23/301  
D621,488 S \* 8/2010 Bucher ..... D23/301

**OTHER PUBLICATIONS**

Toto Toilets. "Clayton Suite". DesignerPlumbing.com online catalog.  
Kohler Co. "Bancroft Comfort Height Elongated Toilet". HomePortfolio.com online catalog. Copyright 1997-2010 HomePortfolio Inc.

Kohler Co. "Memoirs Class Five Comfort Height Toilet". Model No. K-3509 and K-3511. HomePortfolio.com online catalog. Copyright 1997-2010 HomePortfolio Inc.

Notice of Allowance, dated Feb. 14, 2011 for U.S. Appl. No. 29/357,733.

\* cited by examiner

*Primary Examiner* — Robert A Delehanty

(74) *Attorney, Agent, or Firm* — Foley & Lardner LLP

(57) **CLAIM**

The ornamental design for a plumbing fixture, as shown and described.

**DESCRIPTION**

FIG. 1 is a left, top, front perspective view of a plumbing fixture according to my new design;  
FIG. 2 is a top plan view thereof;  
FIG. 3 is a front elevational view thereof;  
FIG. 4 is a left side elevational view thereof;  
FIG. 5 is a right side elevational view thereof;  
FIG. 6 is a rear elevational view thereof; and,  
FIG. 7 is a bottom plan view thereof.

The broken line representations in the figures are for the purpose of illustrating unclaimed environment. The broken lines are thus not part of the claim.

The nature of this product is plumbing fixture, in the form of a water closet or base therefor.

**1 Claim, 4 Drawing Sheets**

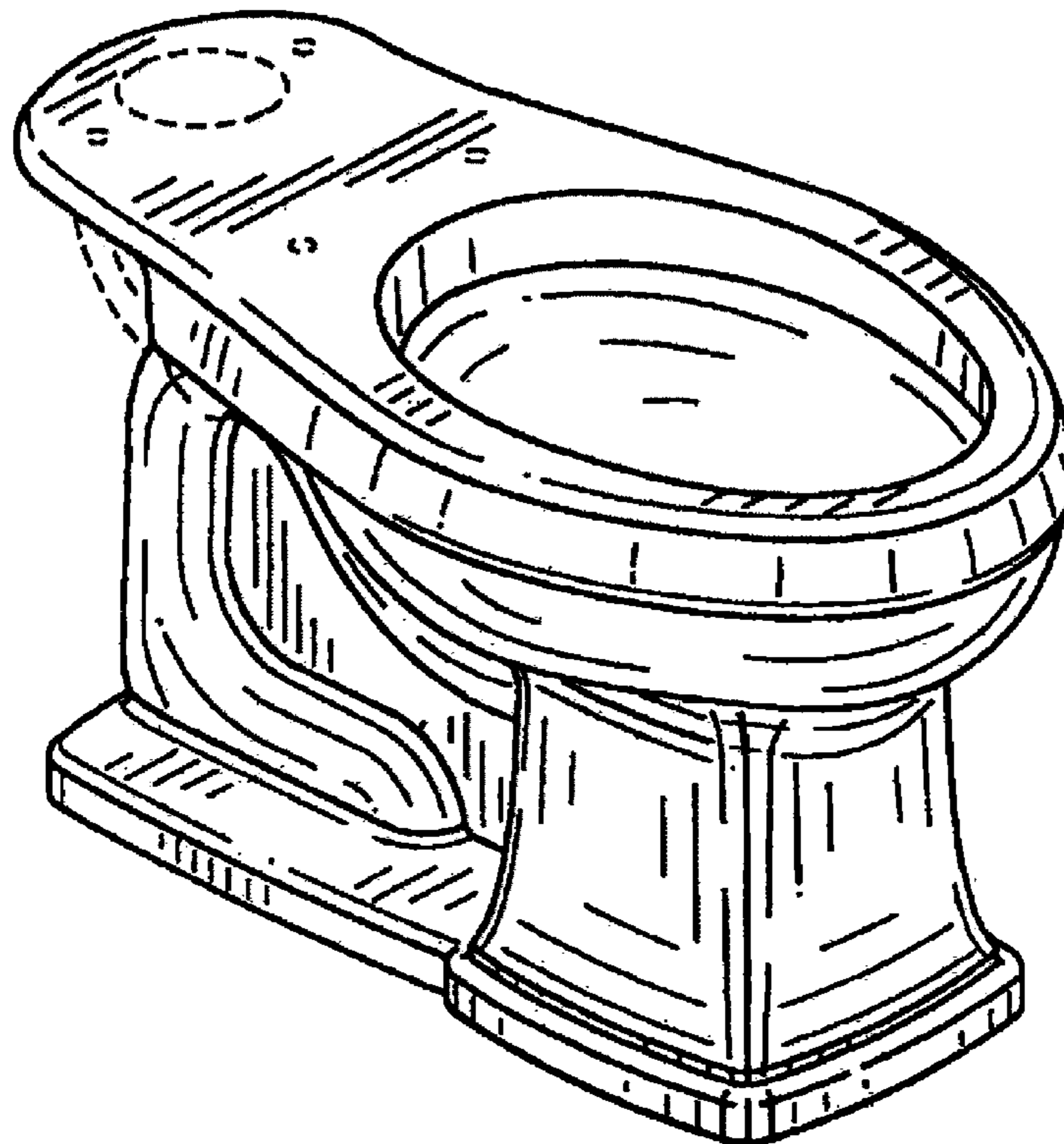


FIG. 1

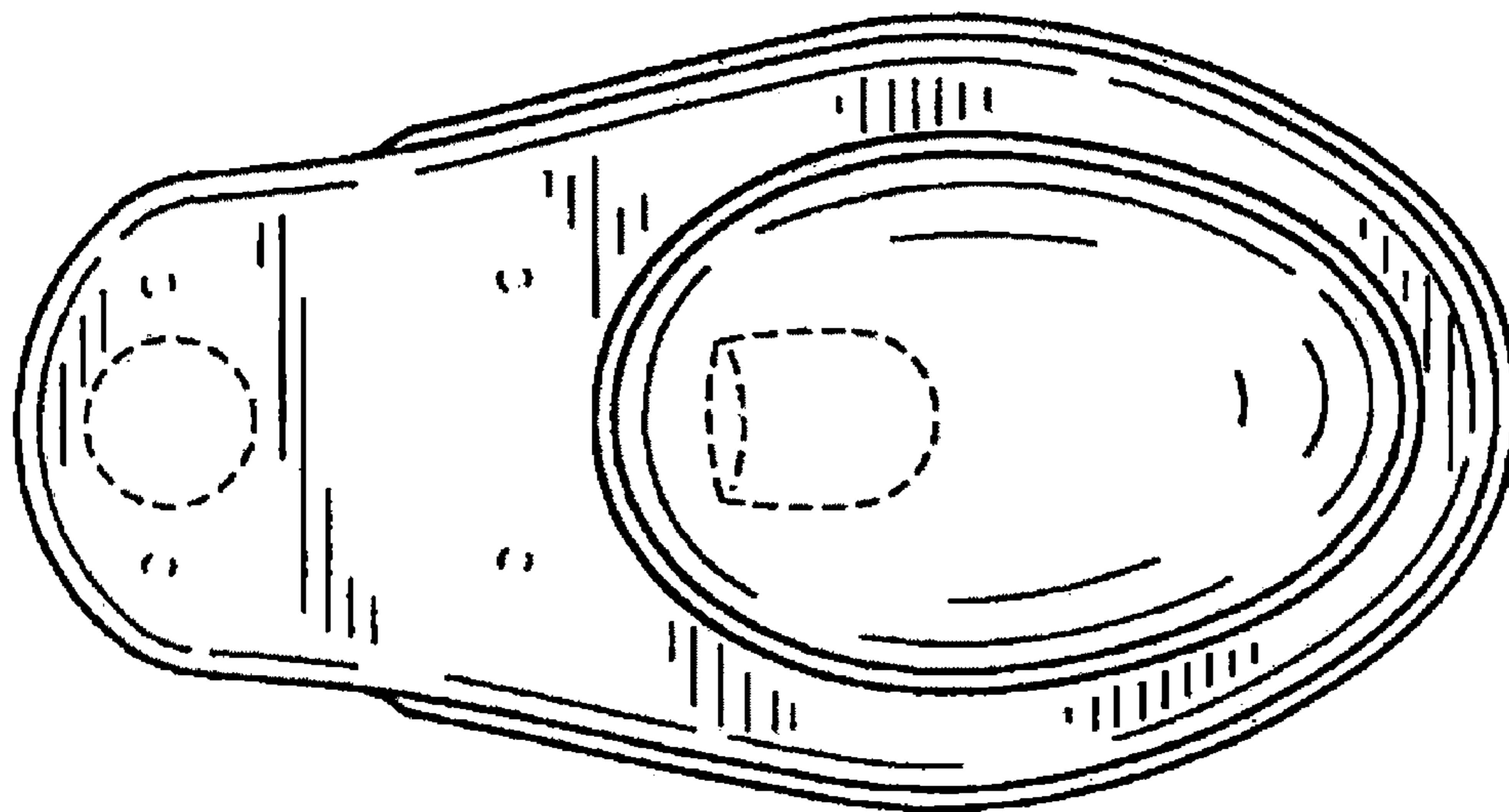
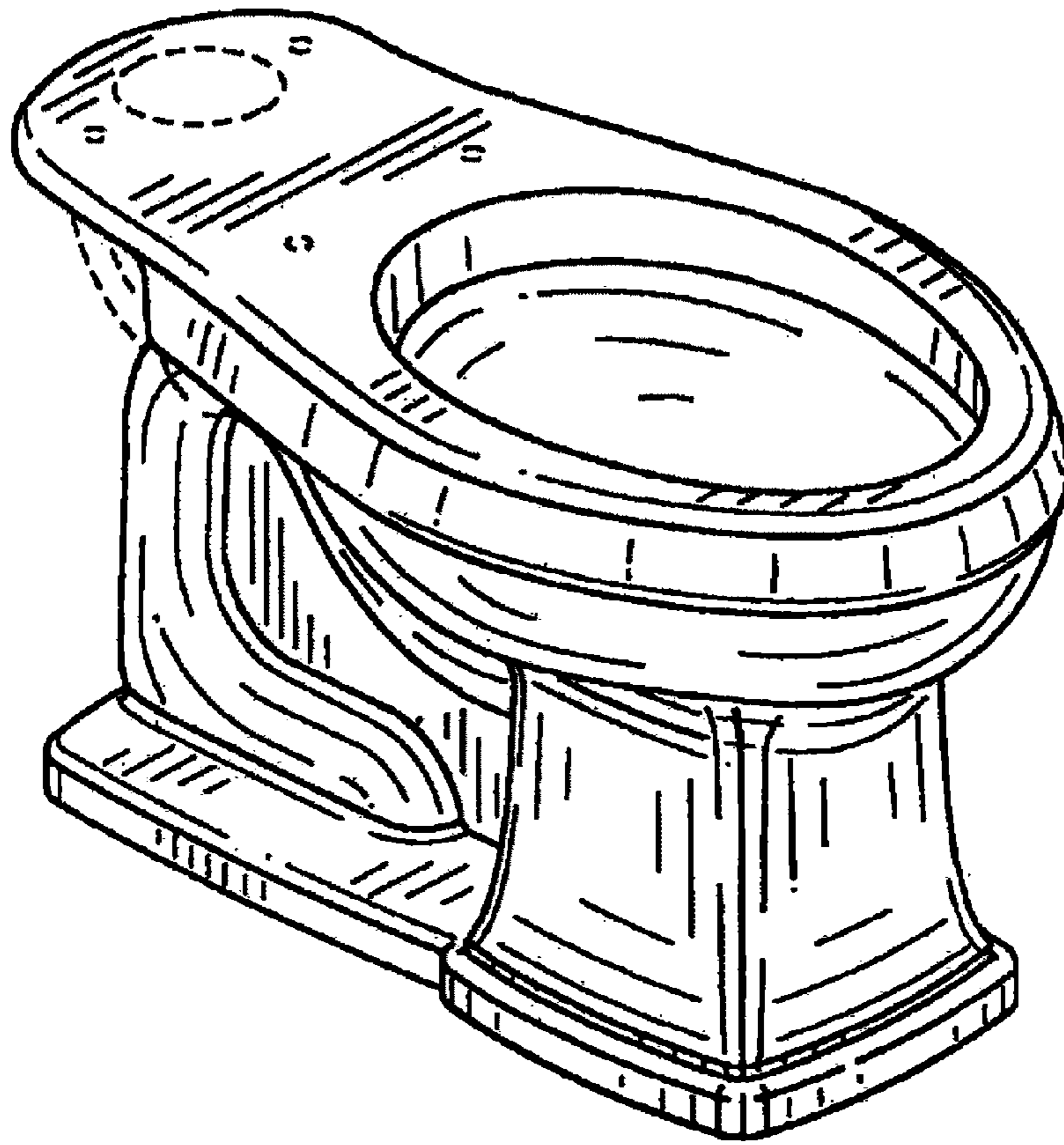


FIG. 2

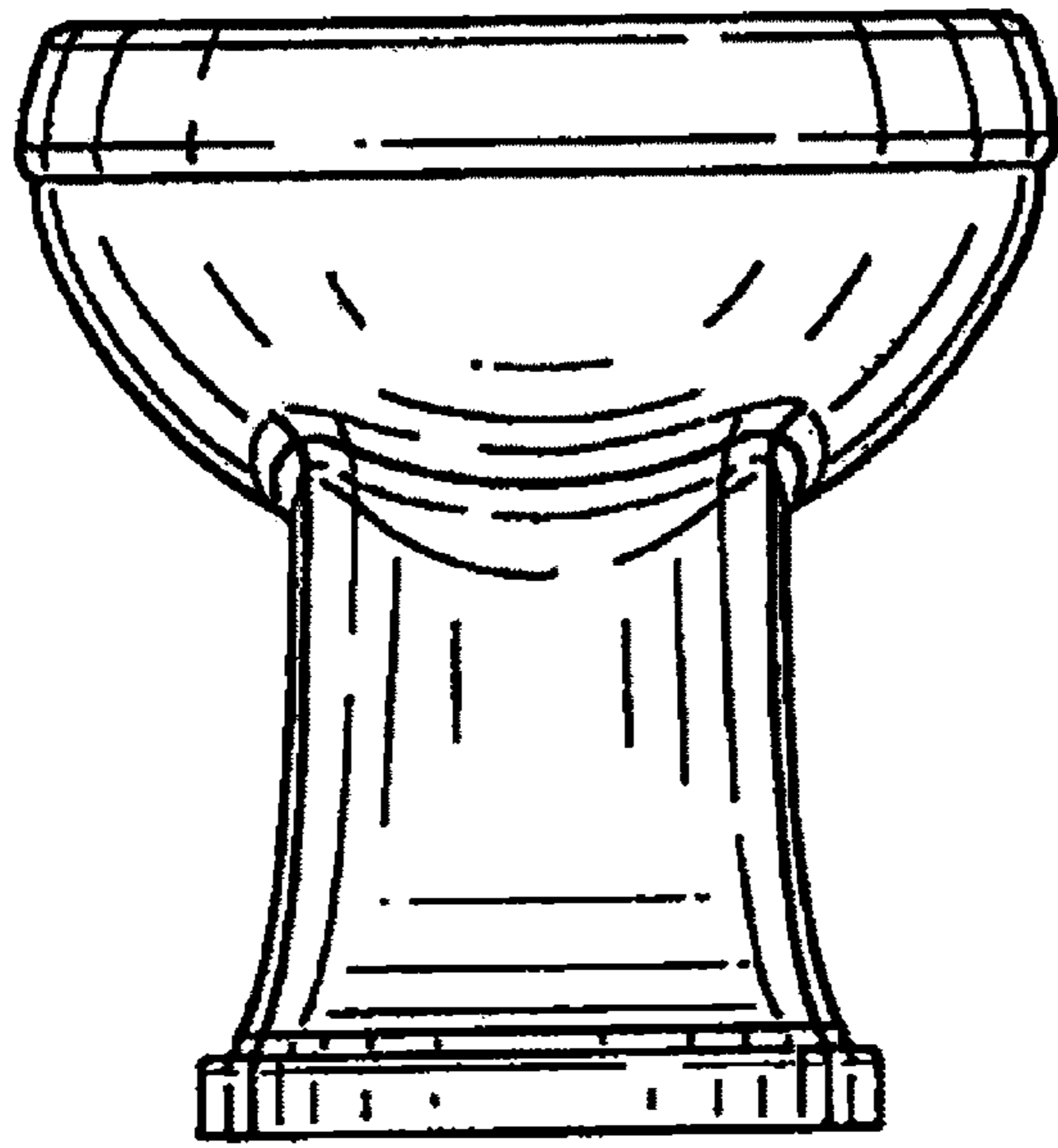


FIG. 3

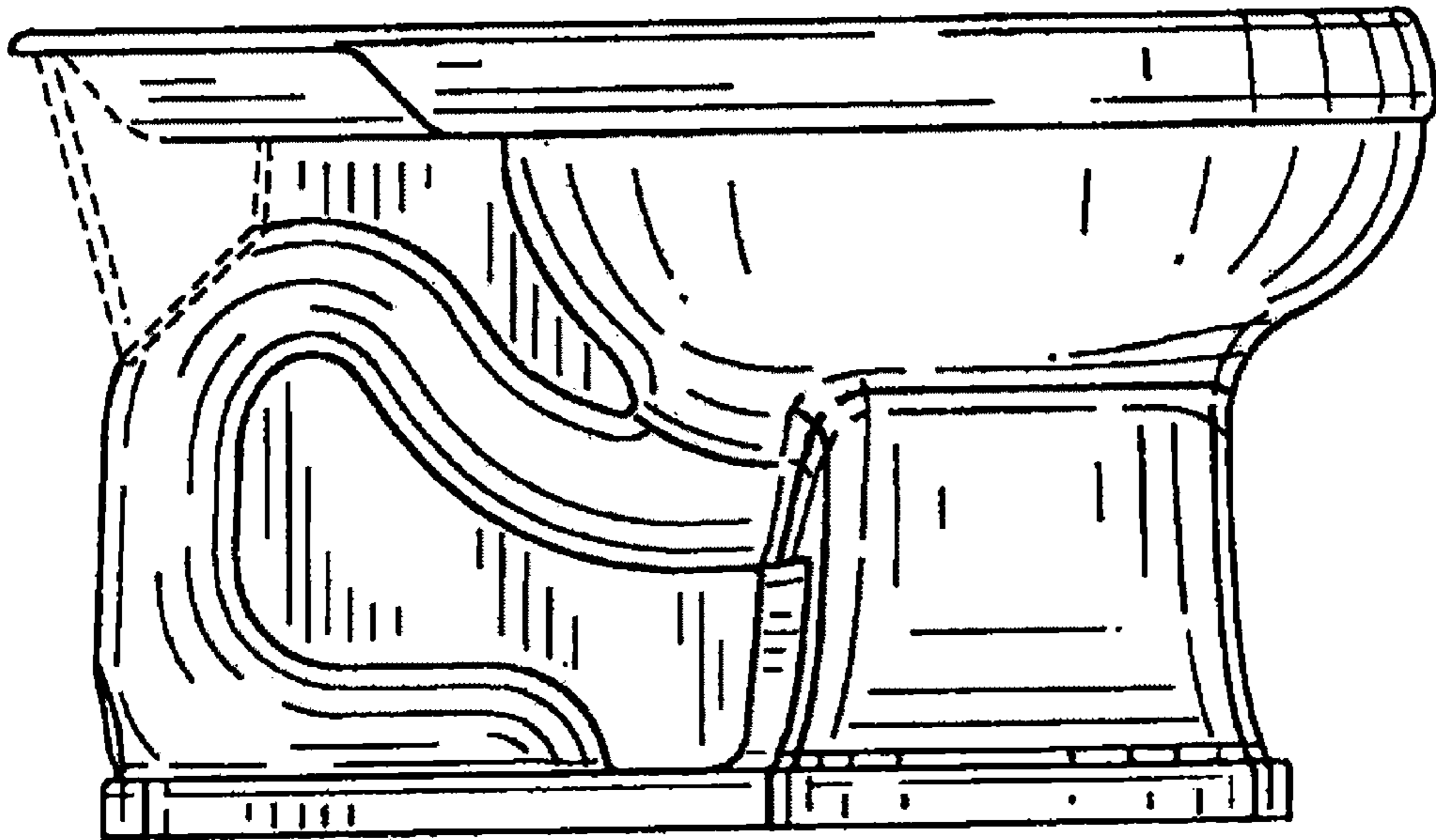


FIG. 4

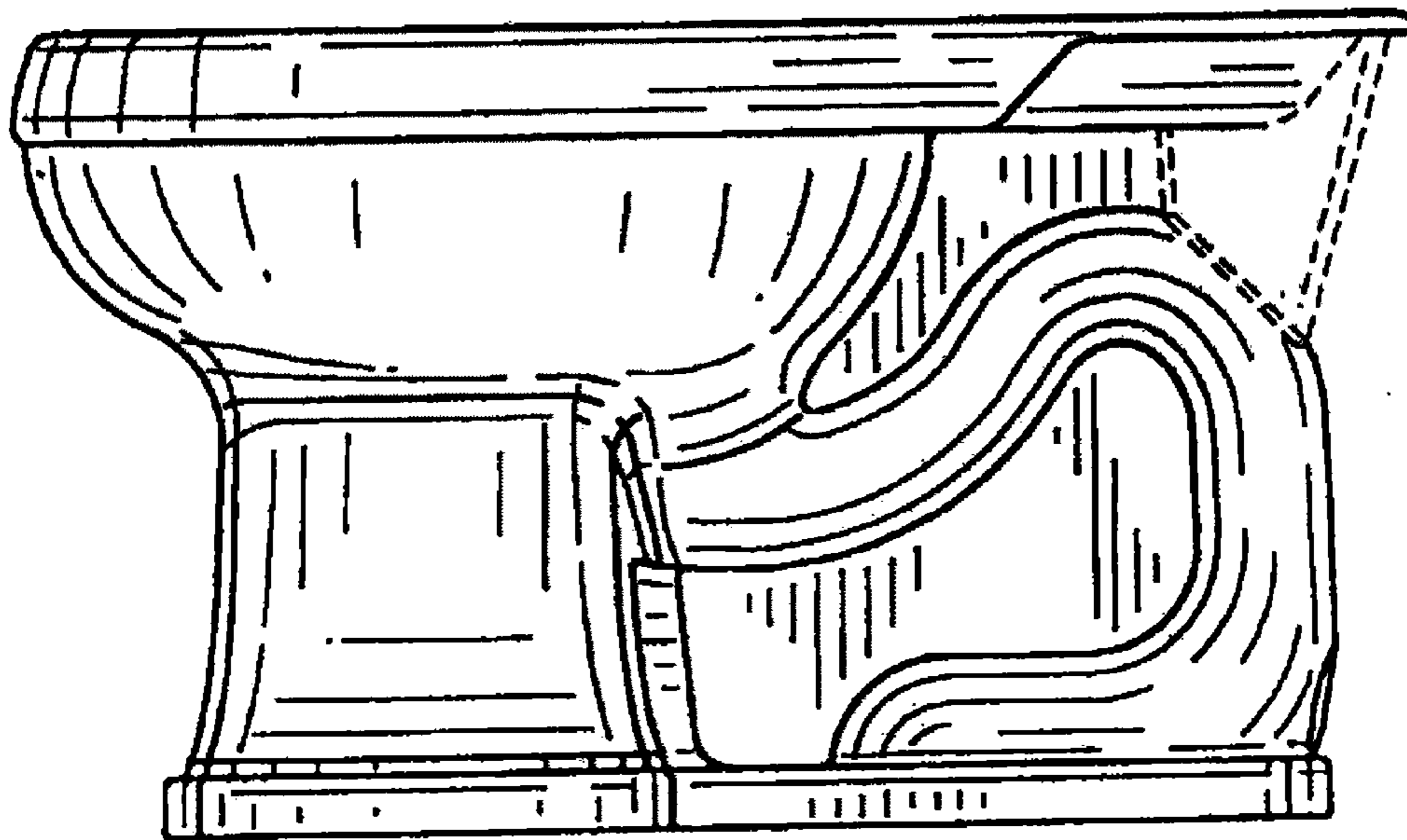


FIG. 5

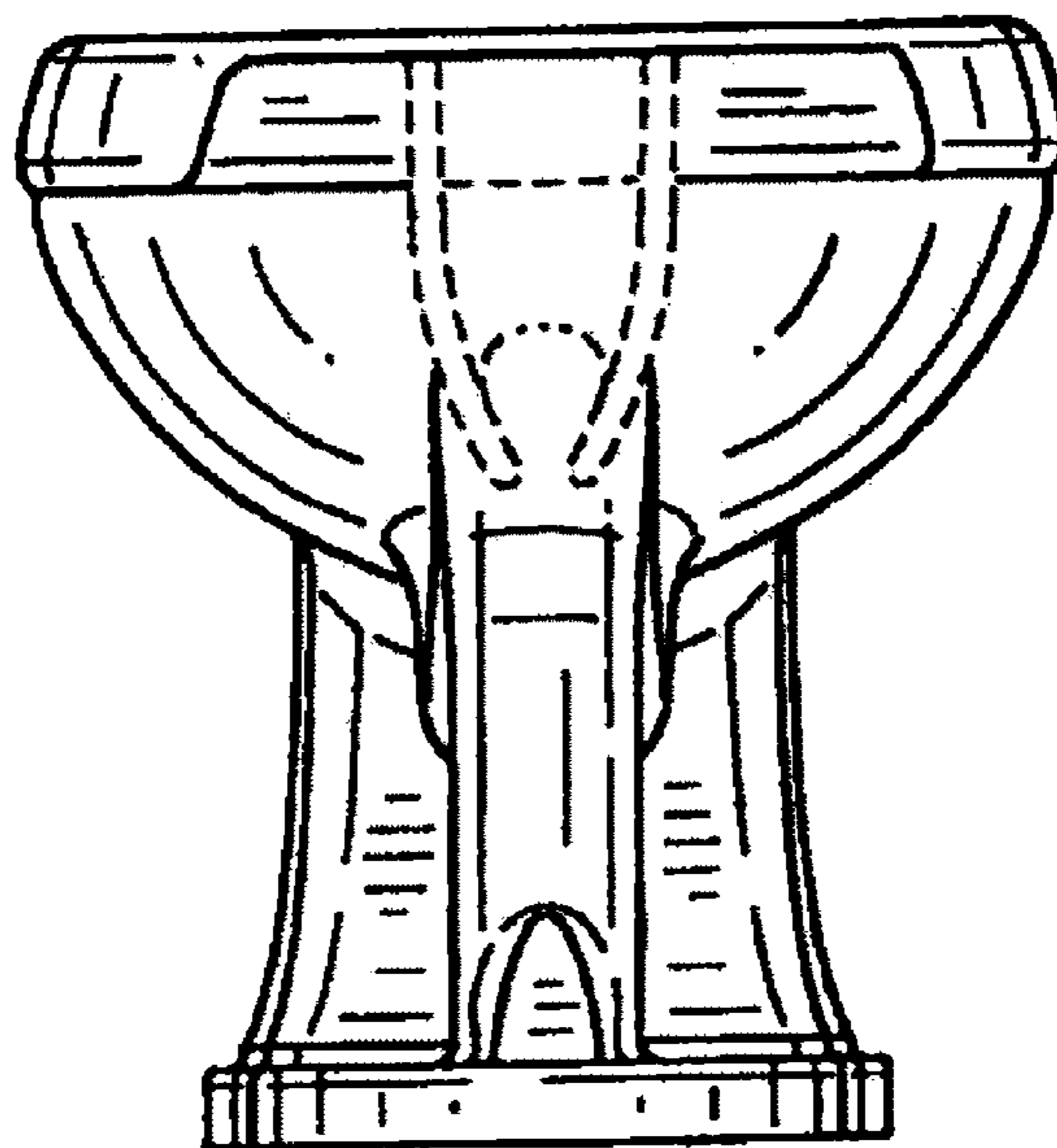


FIG. 6

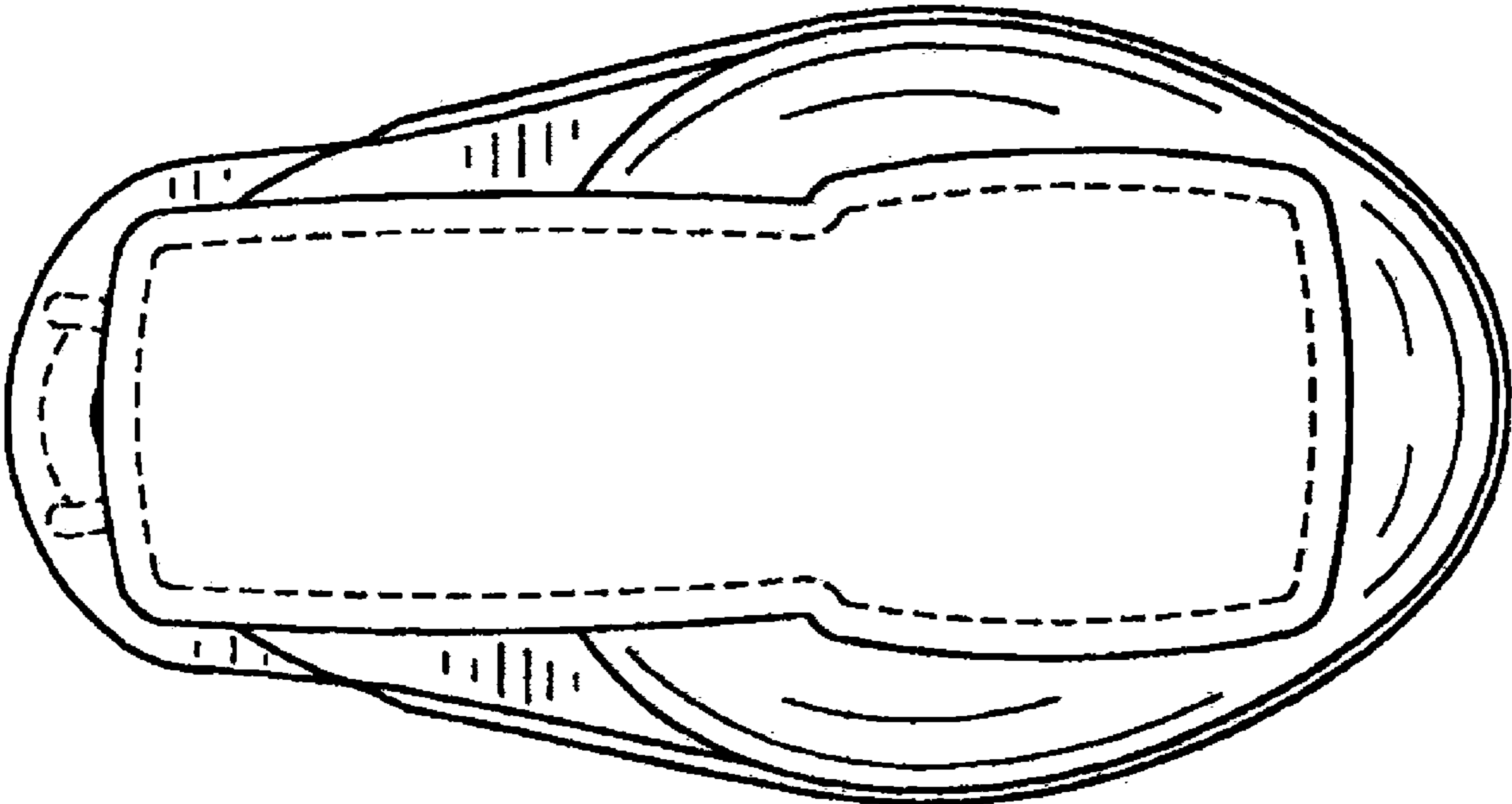


FIG. 7