



US00D647179S

(12) **United States Design Patent**  
**Flowers et al.**

(10) **Patent No.:** **US D647,179 S**  
(45) **Date of Patent:** **\*\* Oct. 18, 2011**

(54) **SPOUT**

(75) Inventors: **Paul Flowers**, Duesseldorf (DE);  
**Annette Roy**, Duesseldorf (DE)

(73) Assignee: **Grohe AG**, Hemer (DE)

(\*\*) Term: **14 Years**

(21) Appl. No.: **29/380,265**

(22) Filed: **Dec. 2, 2010**

(30) **Foreign Application Priority Data**

Jun. 2, 2010 (EM) ..... 001714833-0010

(51) **LOC (9) Cl.** ..... **23-01**

(52) **U.S. Cl.** ..... **D23/255**

(58) **Field of Classification Search** ..... D23/238-243,  
D23/250, 255; 4/675-678; 137/801  
See application file for complete search history.

(56) **References Cited**

**U.S. PATENT DOCUMENTS**

D570,449 S \* 6/2008 Lee ..... D23/238  
D605,257 S \* 12/2009 Flowers et al. .... D23/238

\* cited by examiner

*Primary Examiner* — Robert Delehanty

(74) *Attorney, Agent, or Firm* — Muncy, Geissler, Olds & Lowe, PLLC

(57) **CLAIM**

The ornamental design for a spout, as shown and described.

**DESCRIPTION**

FIG. 1 is a left side elevational view of a spout according to the present invention.

FIG. 2 is a right side elevational view of the spout of FIG. 1.

FIG. 3 is a top plan view of the spout of FIG. 1.

FIG. 4 is a bottom plan view of the spout of FIG. 1.

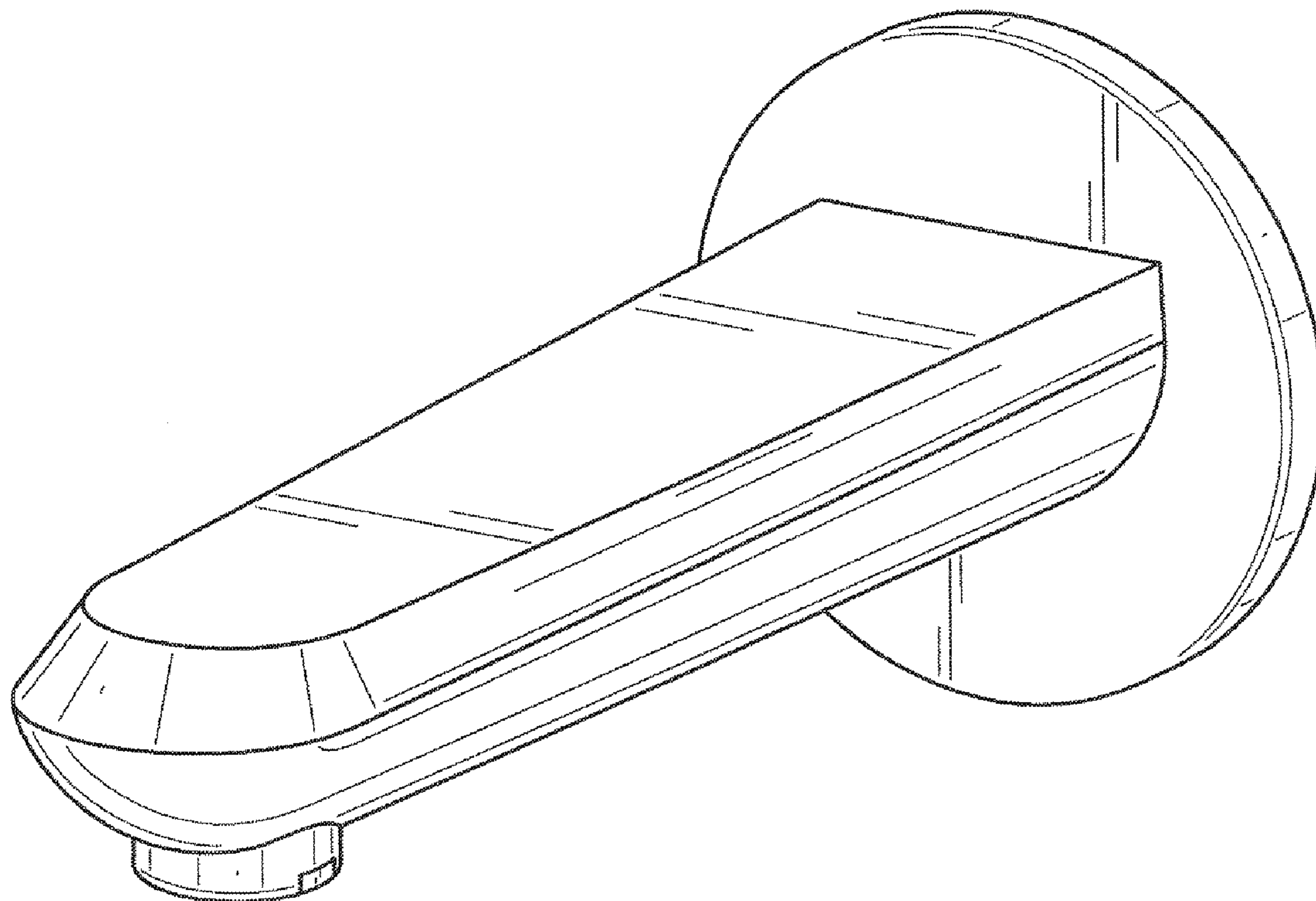
FIG. 5 is a front elevational view of the spout of FIG. 1.

FIG. 6 is a rear elevational view of the spout of FIG. 1; and,

FIG. 7 is a three quarter view of the spout of FIG. 1.

The dashed lines illustrate environment that does not form a part of the present invention, and no claim is made to the material illustrated with dashed lines.

**1 Claim, 6 Drawing Sheets**



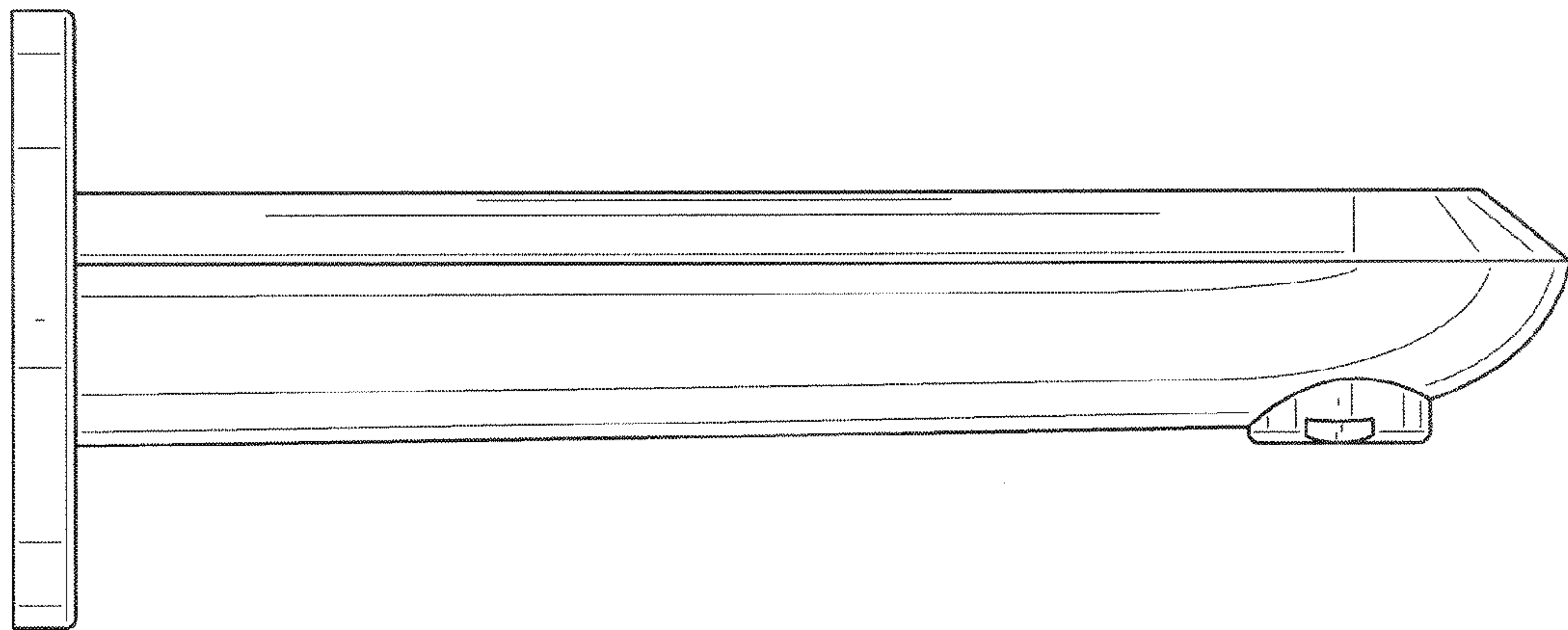


FIG. 1

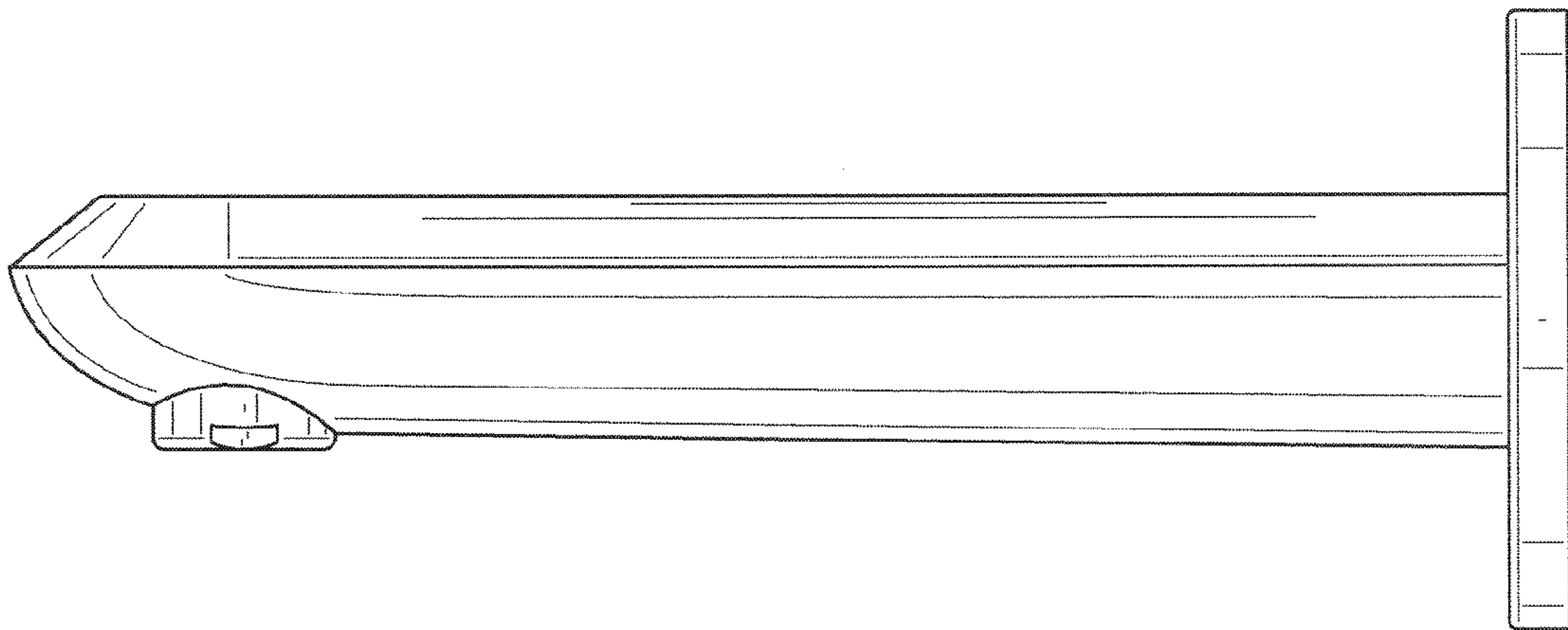


FIG. 2

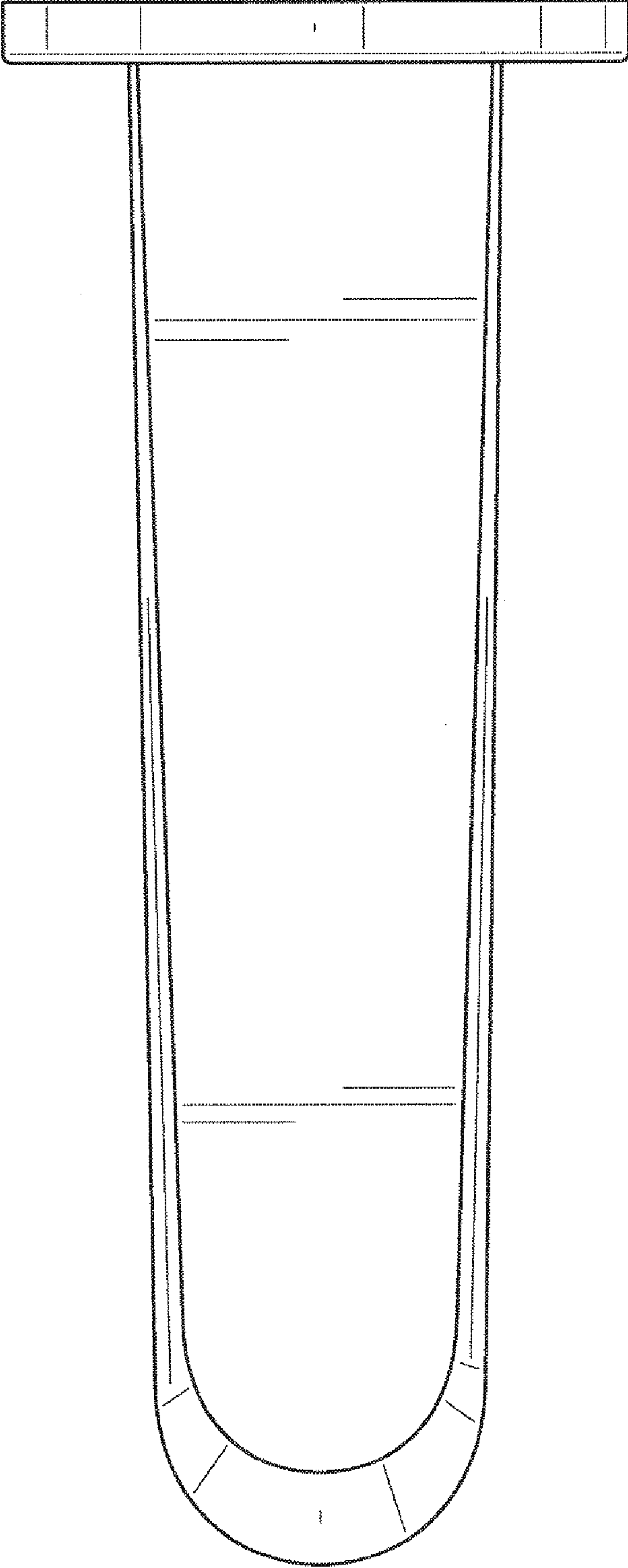


FIG. 3

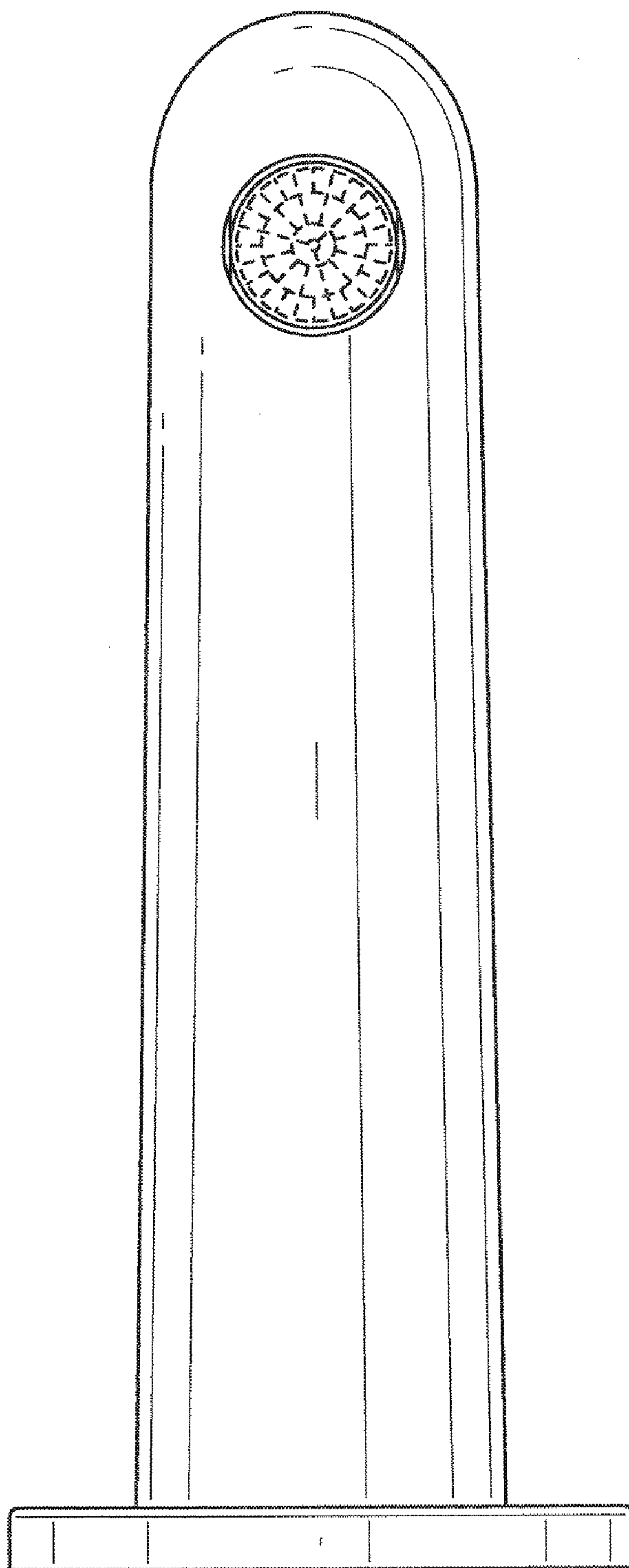


FIG. 4

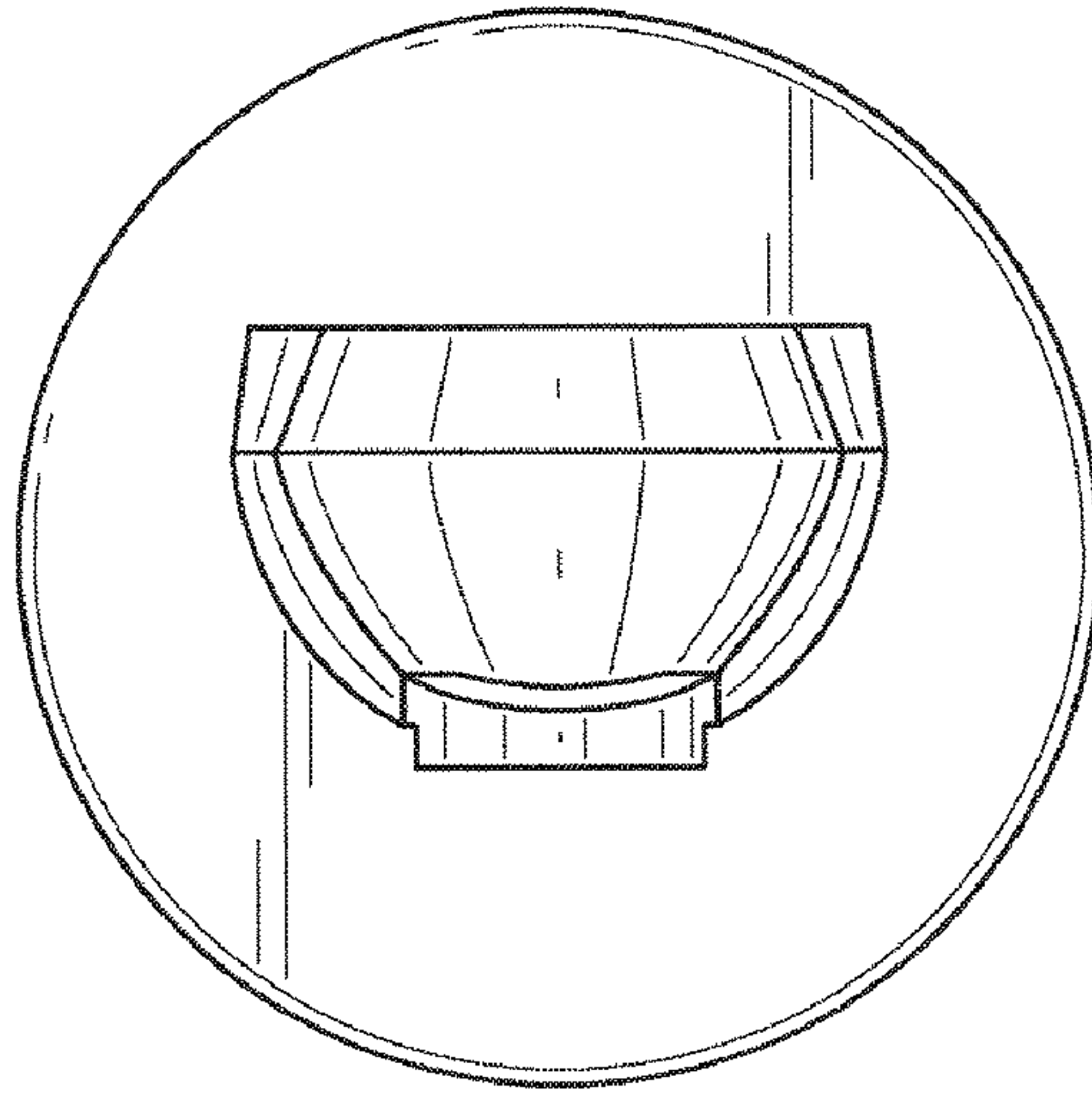


FIG. 5

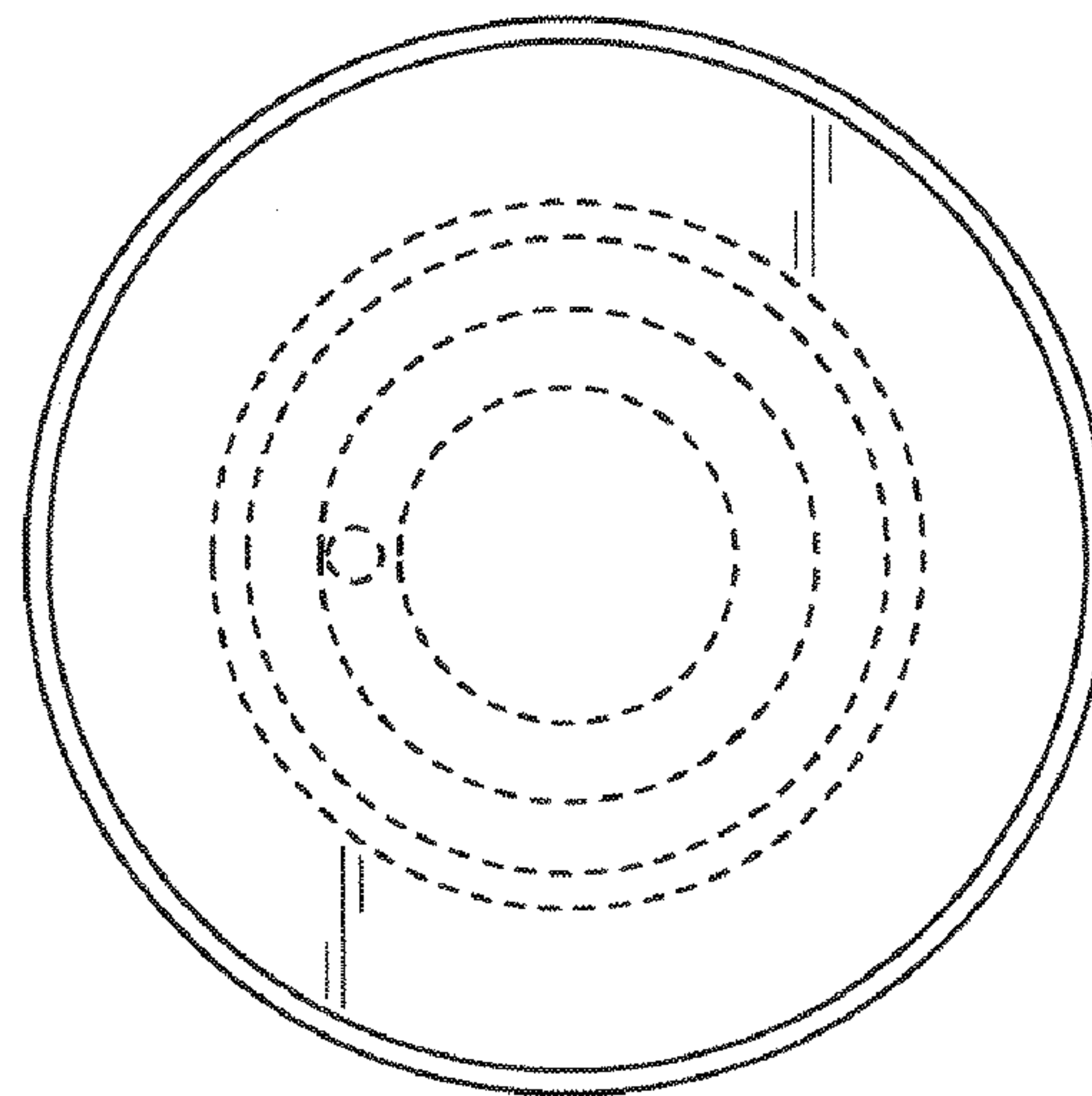


FIG. 6



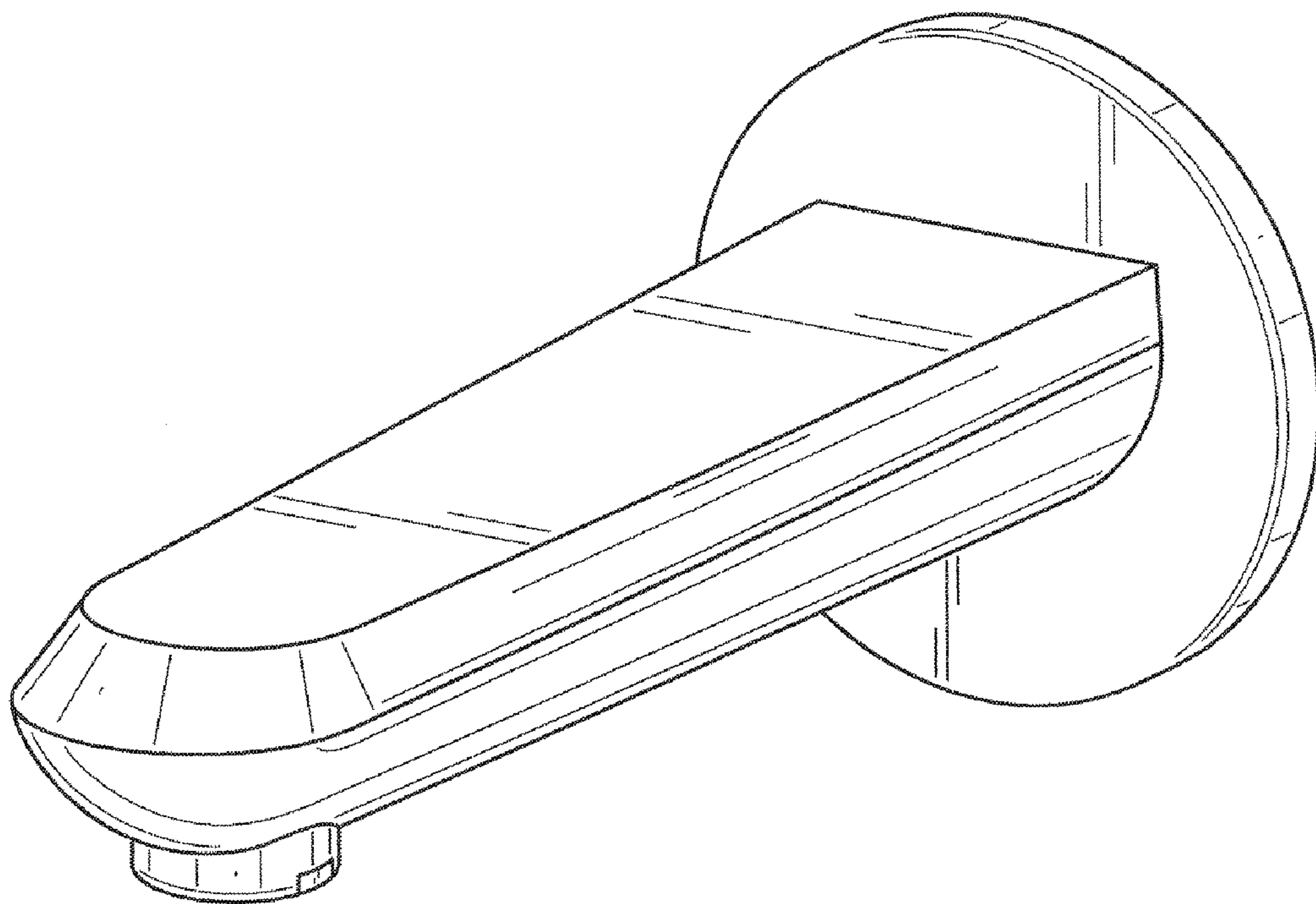


FIG. 7