



US00D647177S

(12) **United States Design Patent**
Liao

(10) **Patent No.:** **US D647,177 S**

(45) **Date of Patent:** **** Oct. 18, 2011**

(54) **FAUCET**

(75) Inventor: **Vincent Liao**, Guangdong (CN)

(73) Assignee: **Masco Corporation of Indiana**,
Indianapolis, IN (US)

(**) Term: **14 Years**

(21) Appl. No.: **29/387,352**

(22) Filed: **Mar. 11, 2011**

(51) **LOC (9) Cl.** **02-01**

(52) **U.S. Cl.** **D23/238**

(58) **Field of Classification Search** D23/255,
D23/257, 238-243; 4/678; 137/801

See application file for complete search history.

(56) **References Cited**

U.S. PATENT DOCUMENTS

D581,023	S	*	11/2008	Citterio	D23/252
D584,798	S	*	1/2009	Zetsche et al.	D23/238
D601,229	S	*	9/2009	Schoenherr et al.	D23/255
D605,256	S	*	12/2009	Flowers et al.	D23/238

D607,542	S	*	1/2010	Flowers et al.	D23/252
D636,466	S	*	4/2011	Schoenherr et al.	D23/255
D641,072	S	*	7/2011	Flowers et al.	D23/255

* cited by examiner

Primary Examiner — Robert Delehanty

(74) *Attorney, Agent, or Firm* — Nirav D. Parikh; Edgar A. Zarins

(57) **CLAIM**

The ornamental design for a faucet, as shown and described.

DESCRIPTION

FIG. 1 is a perspective view of a faucet showing my new design;

FIG. 2 is a front elevational view thereof;

FIG. 3 is a top plan view thereof;

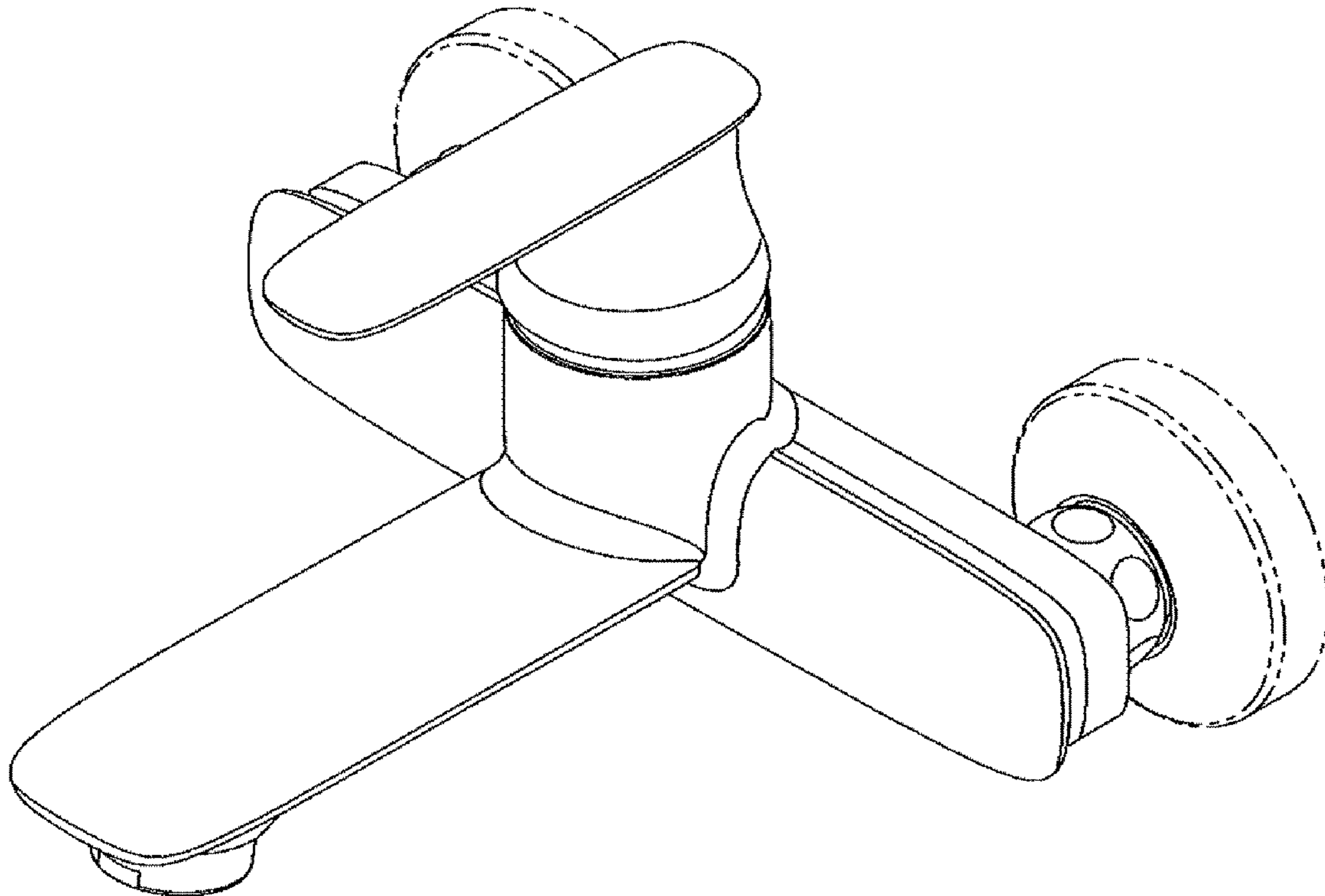
FIG. 4 is a right side view thereof;

FIG. 5 is a bottom view thereof; and,

FIG. 6 is a left side view thereof.

The broken line showing environmental structure is included for the purpose of illustrating a portion of the claim that forms no part of the claimed design.

1 Claim, 3 Drawing Sheets



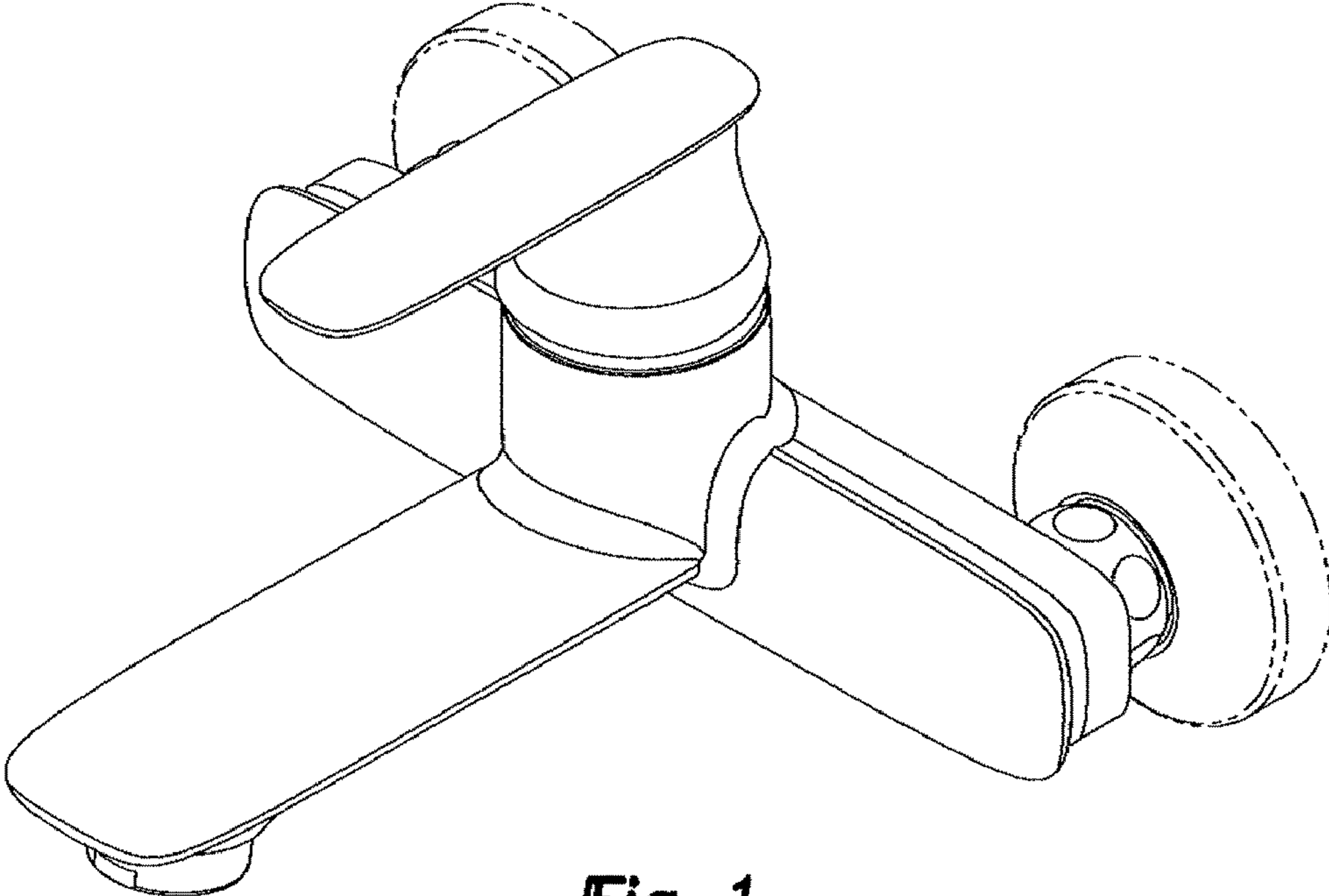


Fig-1

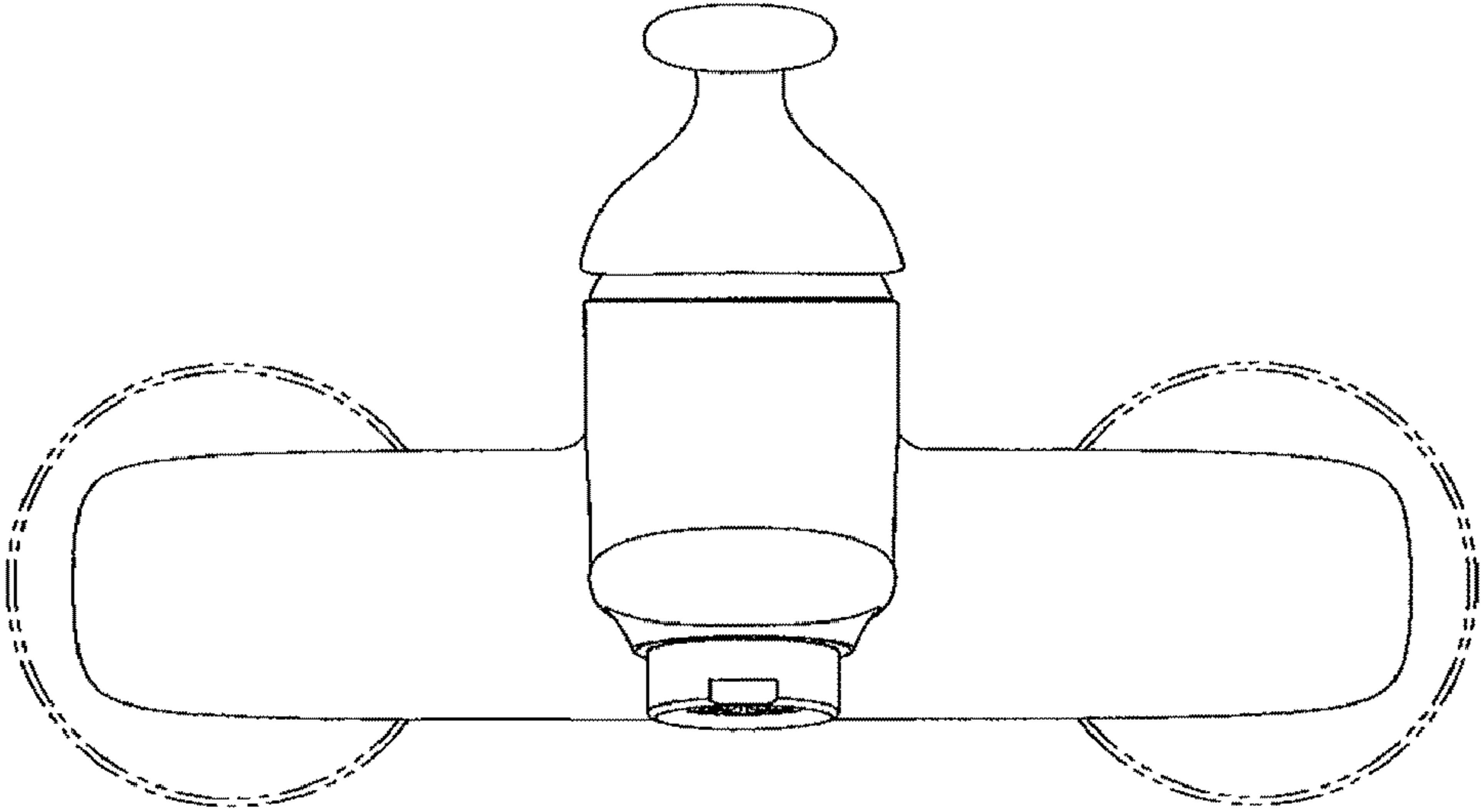


Fig-2

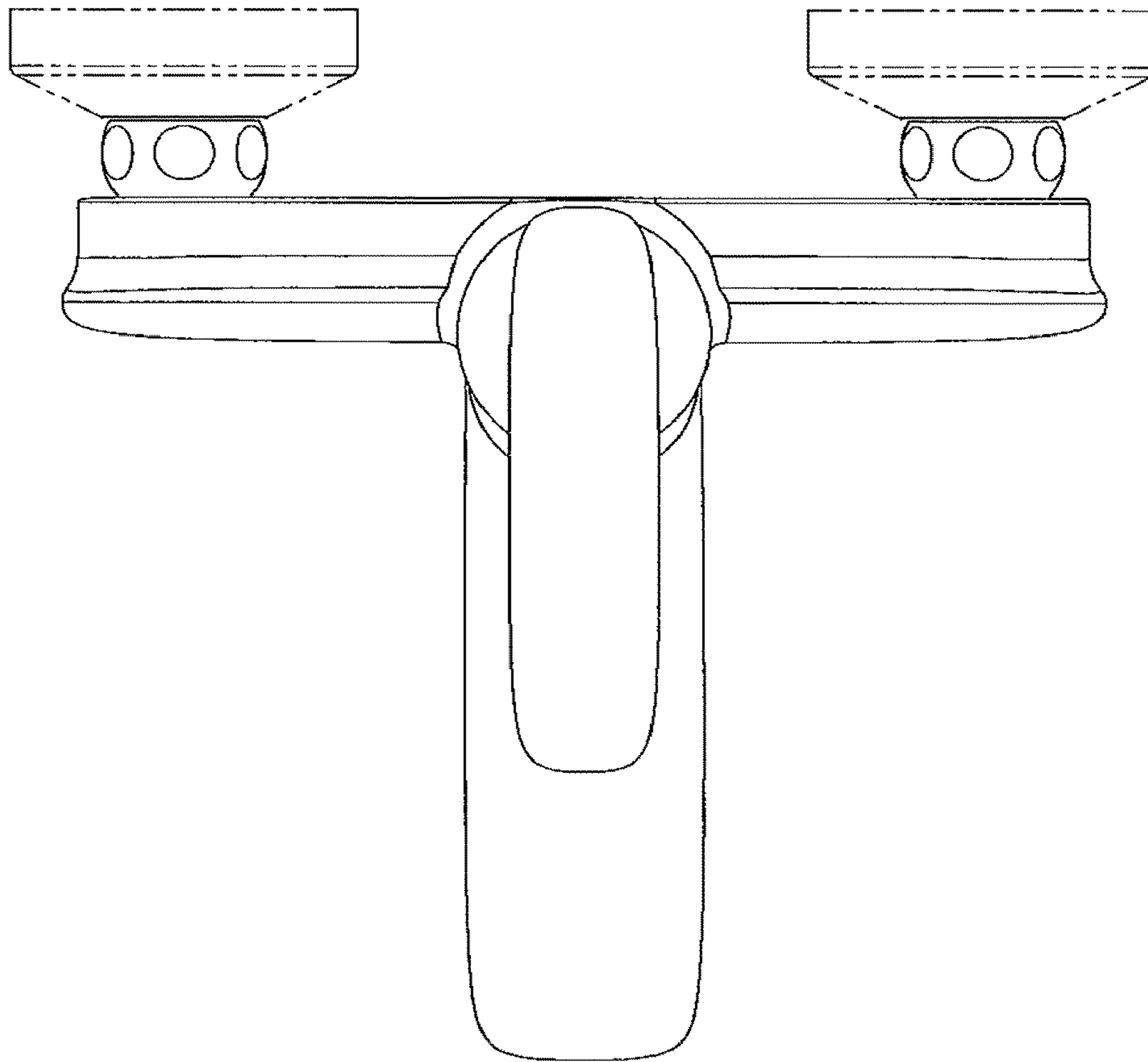


Fig-3

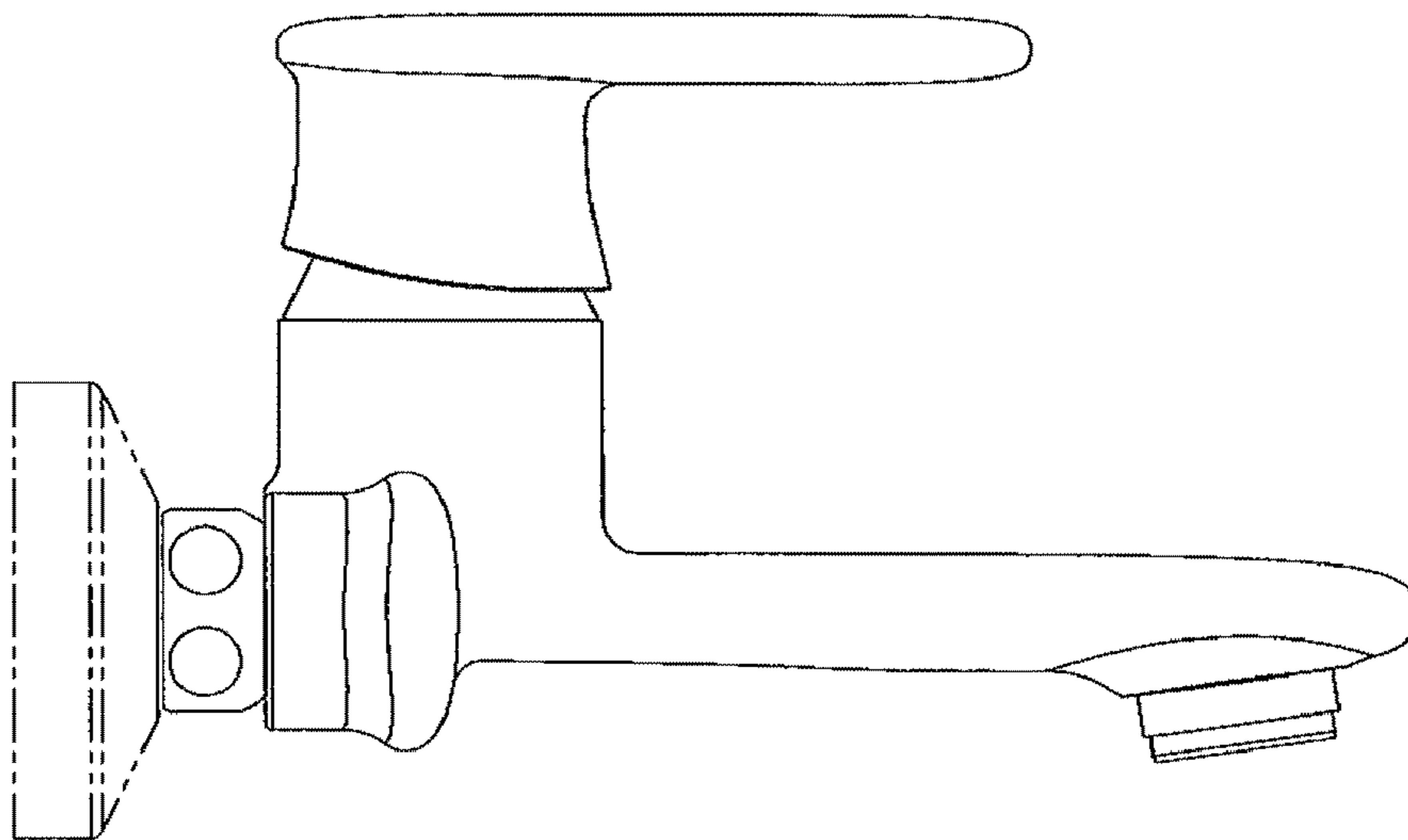


Fig-4

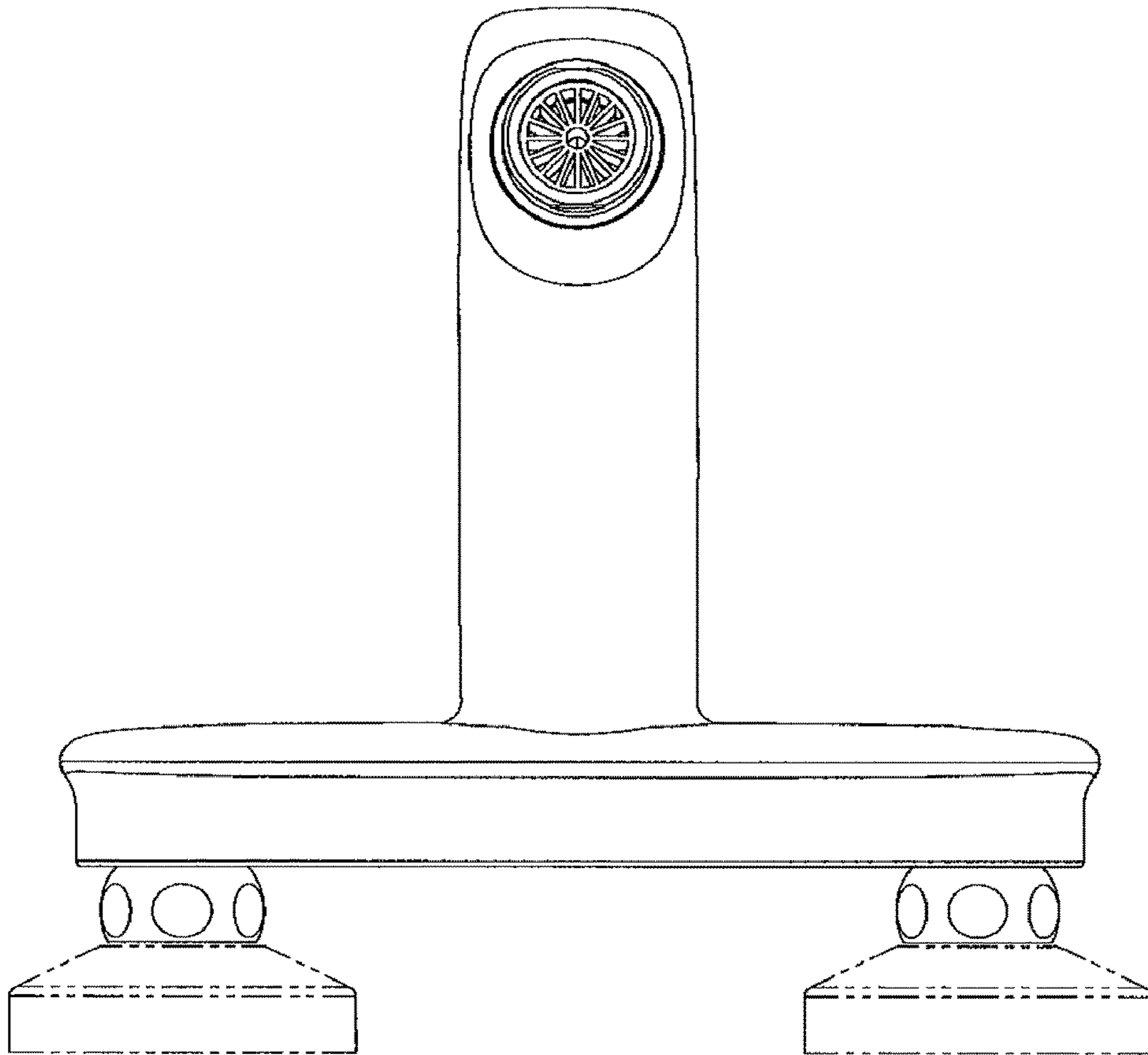


Fig-5

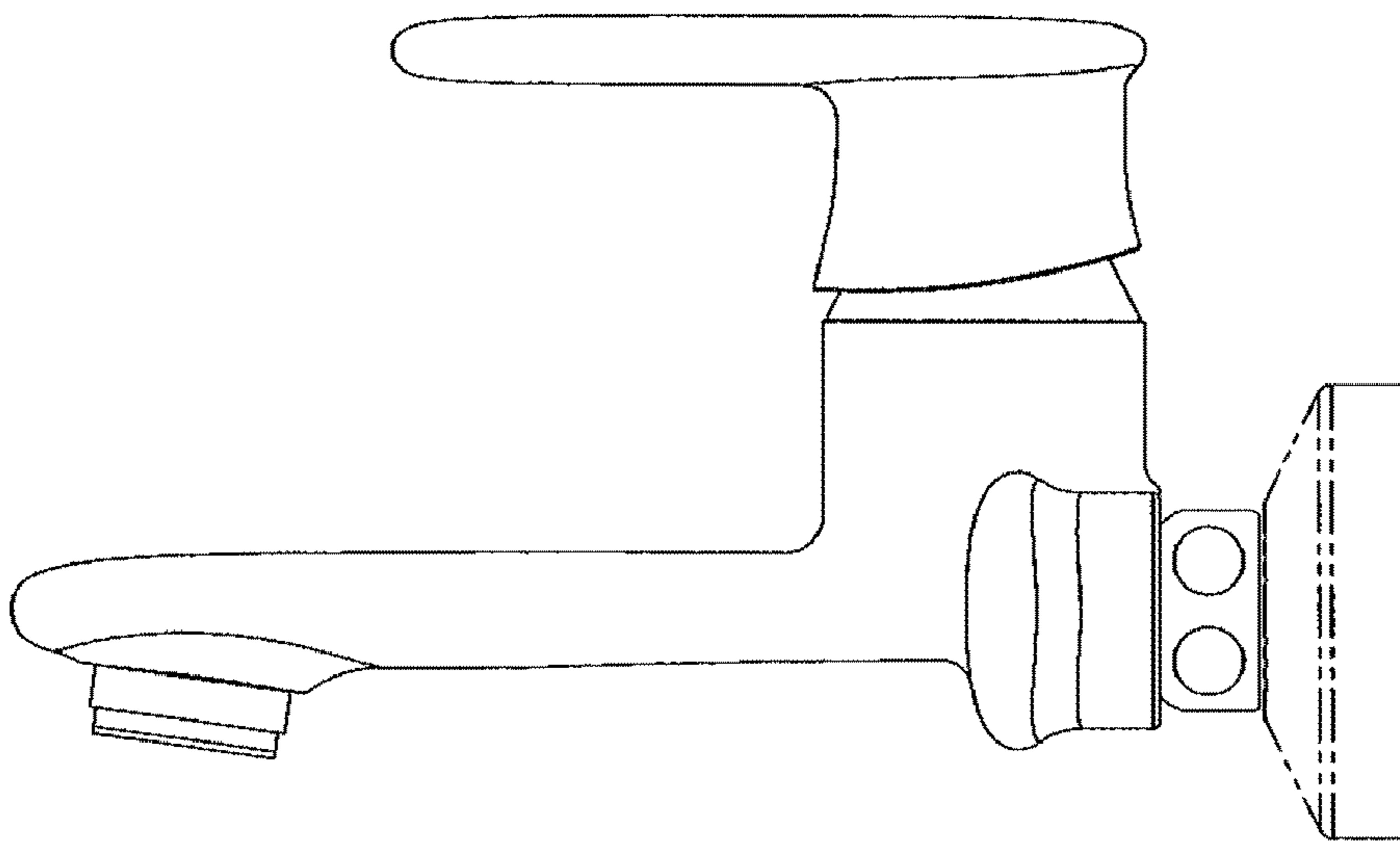


Fig-6