



US00D647174S

(12) **United States Design Patent**
Henderson

(10) **Patent No.:** **US D647,174 S**

(45) **Date of Patent:** **** Oct. 18, 2011**

(54) **POWER SPRAYER**

(76) Inventor: **Jeffrey Todd Henderson**, Cassville, MO
(US)

(**) Term: **14 Years**

(21) Appl. No.: **29/391,711**

(22) Filed: **May 12, 2011**

(51) **LOC (9) Cl.** **23-01**

(52) **U.S. Cl.** **D23/225**

(58) **Field of Classification Search** D23/213,
D23/225; D8/2; D32/4, 15; 239/154, 375,
239/302, 332-333; 222/465.1

See application file for complete search history.

(56) **References Cited**

U.S. PATENT DOCUMENTS

3,901,449	A	8/1975	Bochmann	
D254,321	S *	2/1980	Sidor et al.	D23/225
D272,380	S	1/1984	Poon	
D284,885	S *	7/1986	Nakamura	D23/225
4,618,099	A *	10/1986	Nagao et al.	239/332
4,621,770	A	11/1986	Sayen	
4,925,105	A *	5/1990	Lin	239/154
D347,261	S *	5/1994	Berfield et al.	D23/225
D366,926	S	2/1996	McGinnity et al.	
5,667,141	A *	9/1997	Suttner	239/332

5,755,361	A *	5/1998	Restive et al.	222/209
5,964,409	A *	10/1999	Alexander et al.	239/154
D418,201	S *	12/1999	Shanklin et al.	D23/225
D542,373	S	5/2007	Cooper	
D563,503	S	3/2008	Monk	
D578,182	S *	10/2008	Moran et al.	D23/225
7,434,749	B2	10/2008	Wu	
D614,263	S *	4/2010	Hudson et al.	D23/225

* cited by examiner

Primary Examiner — Robin V Webster

(74) *Attorney, Agent, or Firm* — Maier & Maier, PLLC

(57) **CLAIM**

The ornamental design for a power sprayer, as shown and described.

DESCRIPTION

FIG. 1 is a perspective view of a power sprayer, showing my design;

FIG. 2 is a left side view thereof;

FIG. 3 is a right side view thereof;

FIG. 4 is a front view thereof;

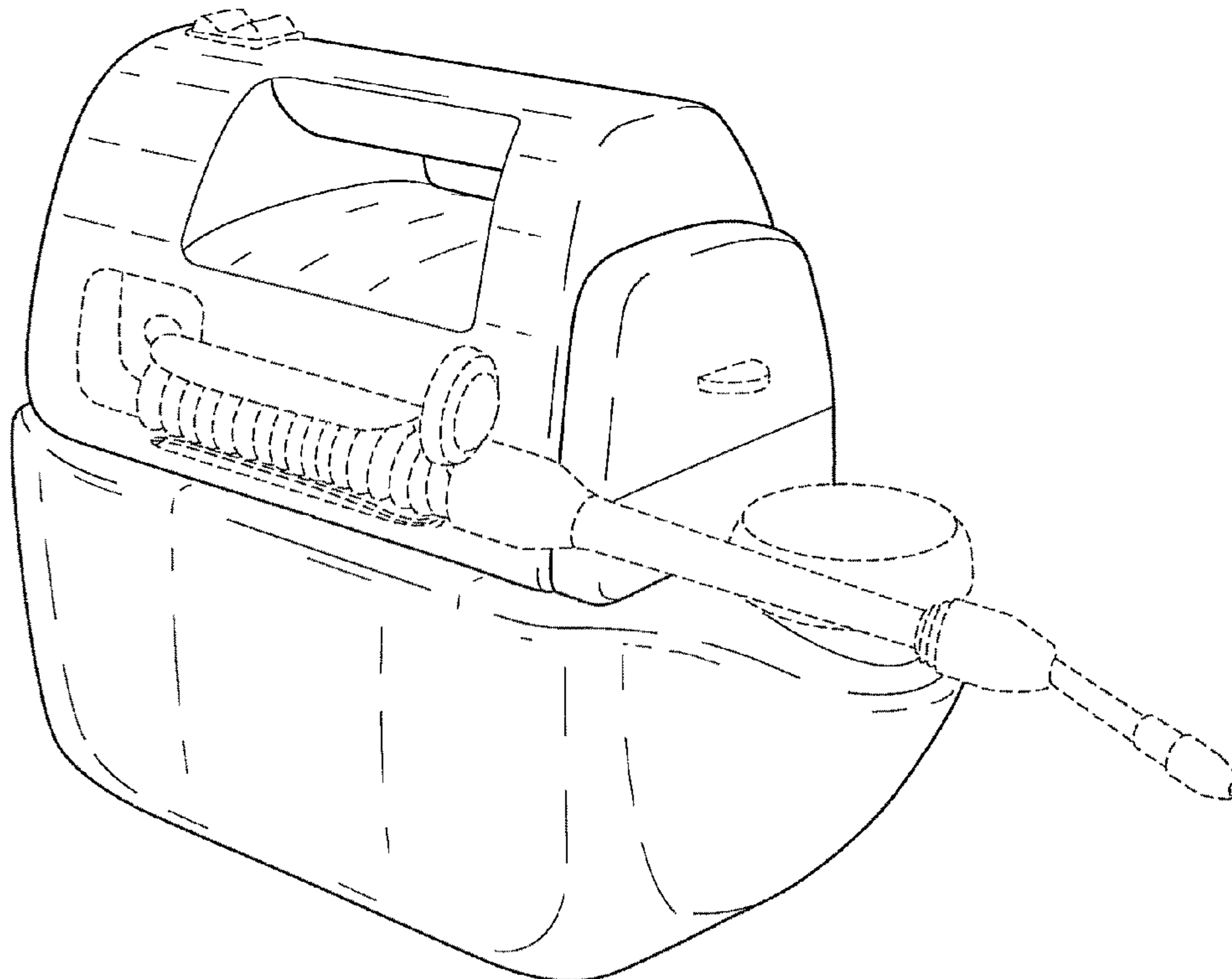
FIG. 5 is a rear view thereof;

FIG. 6 is a top view thereof; and,

FIG. 7 is a bottom view thereof.

The broken line showing is included for the purpose of illustration only and forms no part of the claimed design.

1 Claim, 5 Drawing Sheets



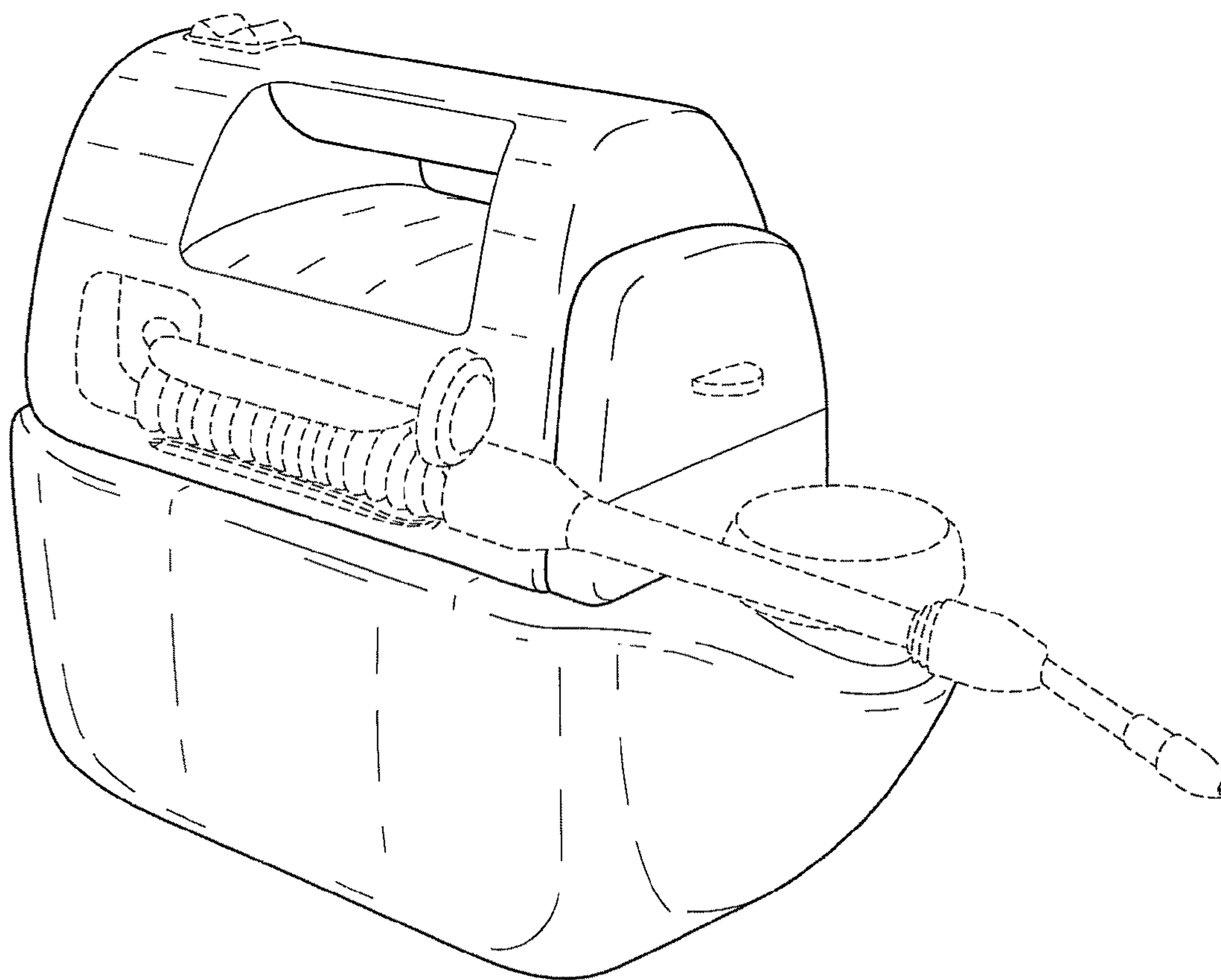


Fig. 1

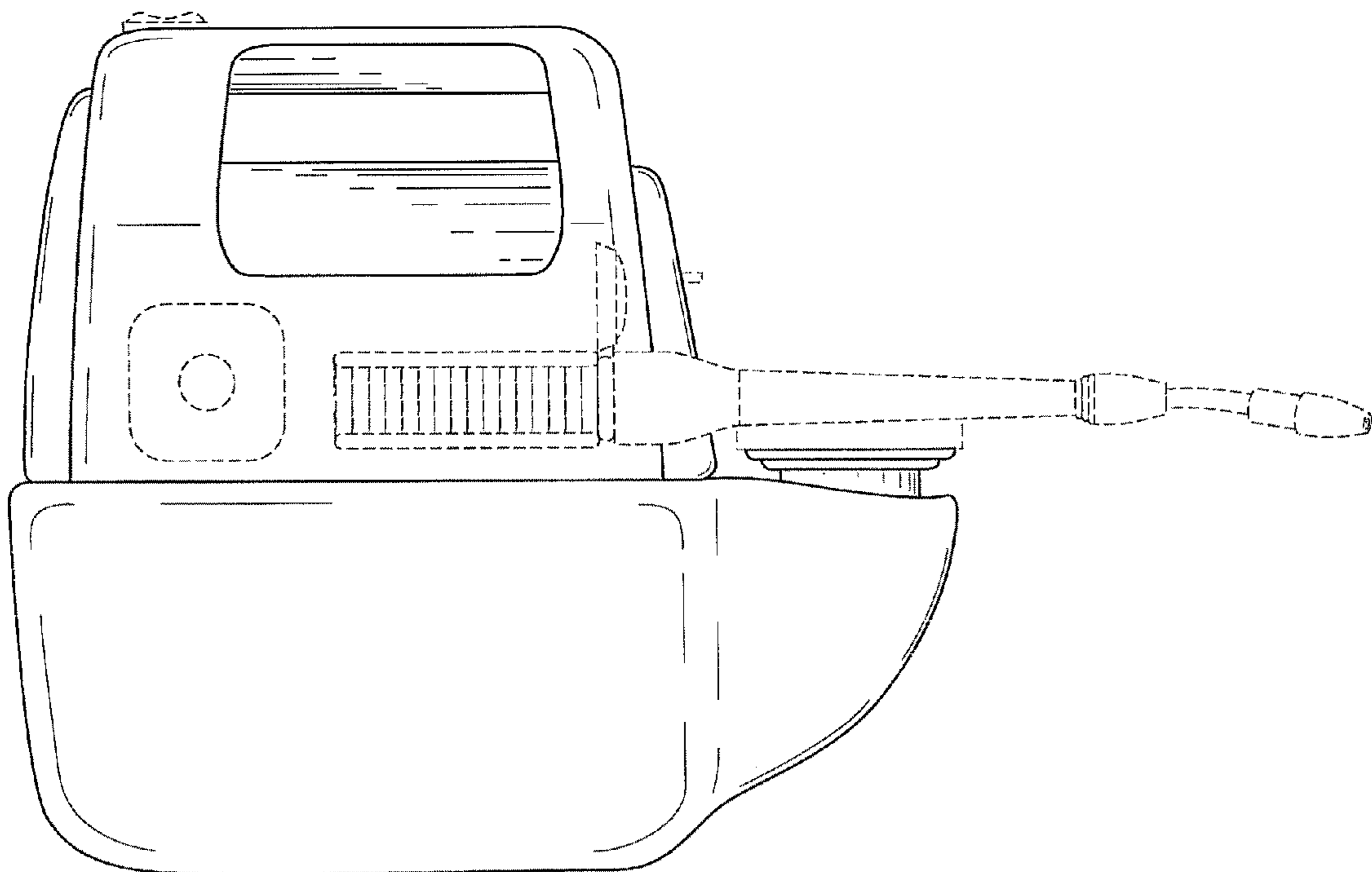


Fig. 2

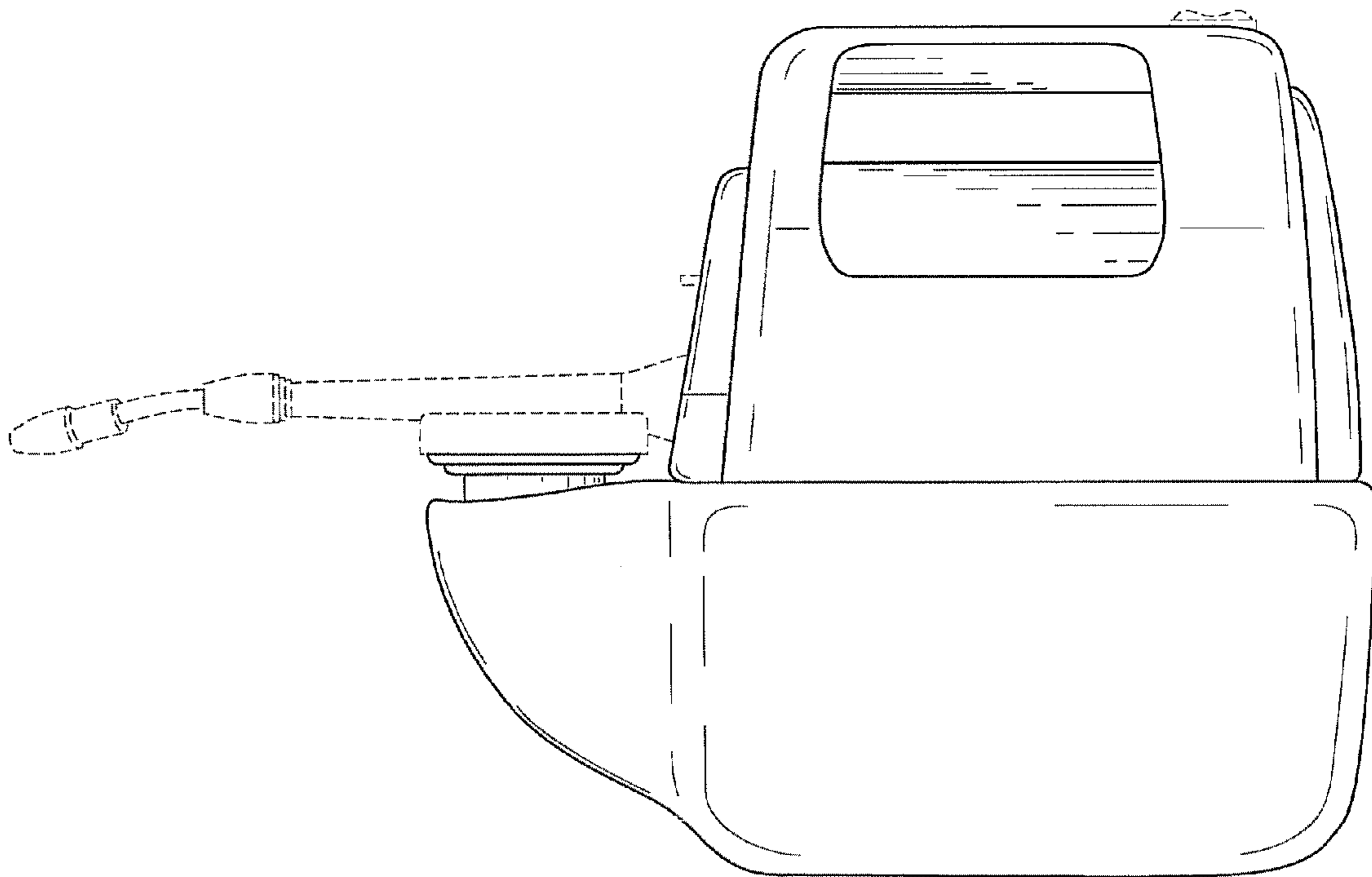


Fig. 3

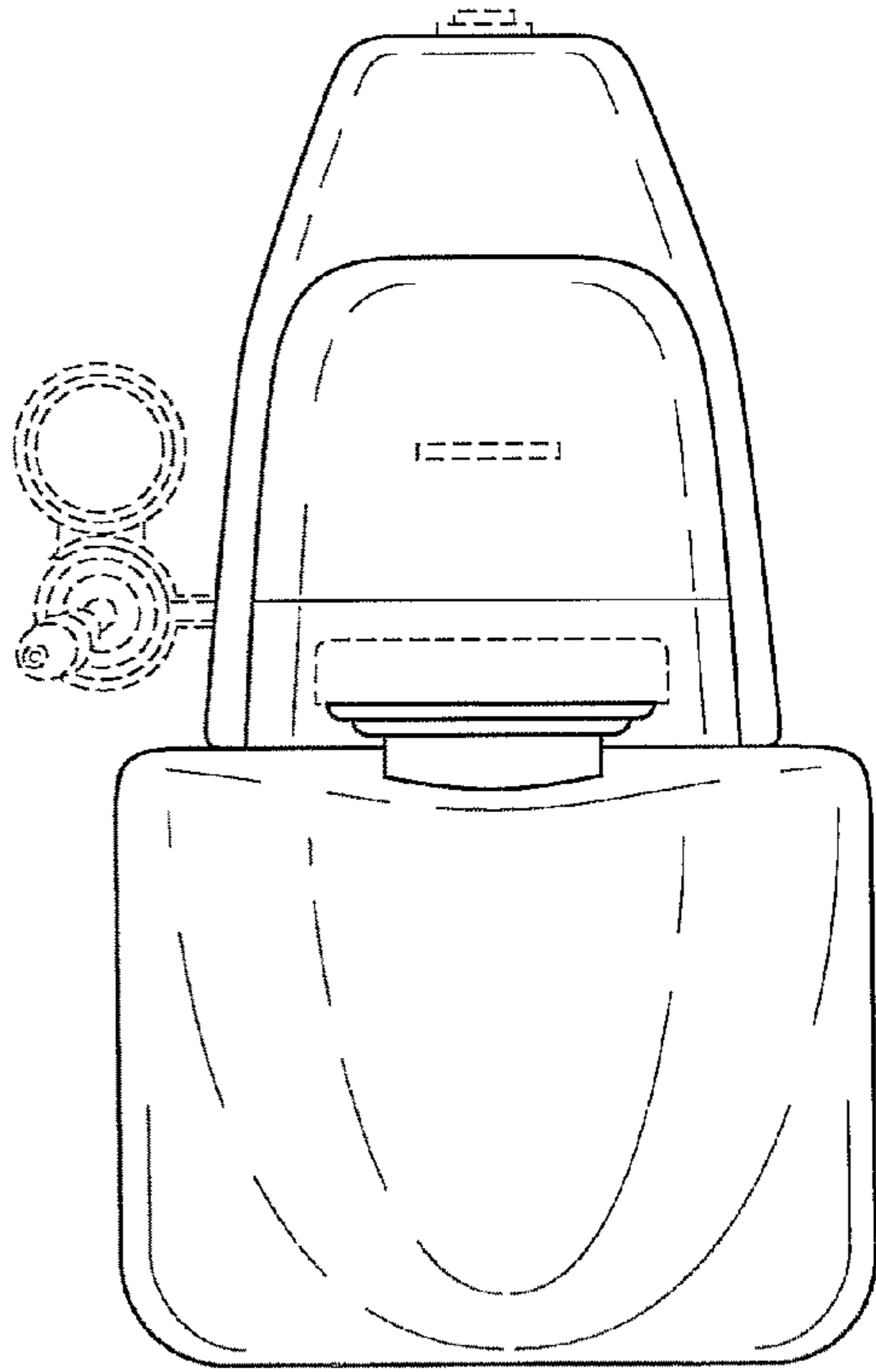


Fig. 4

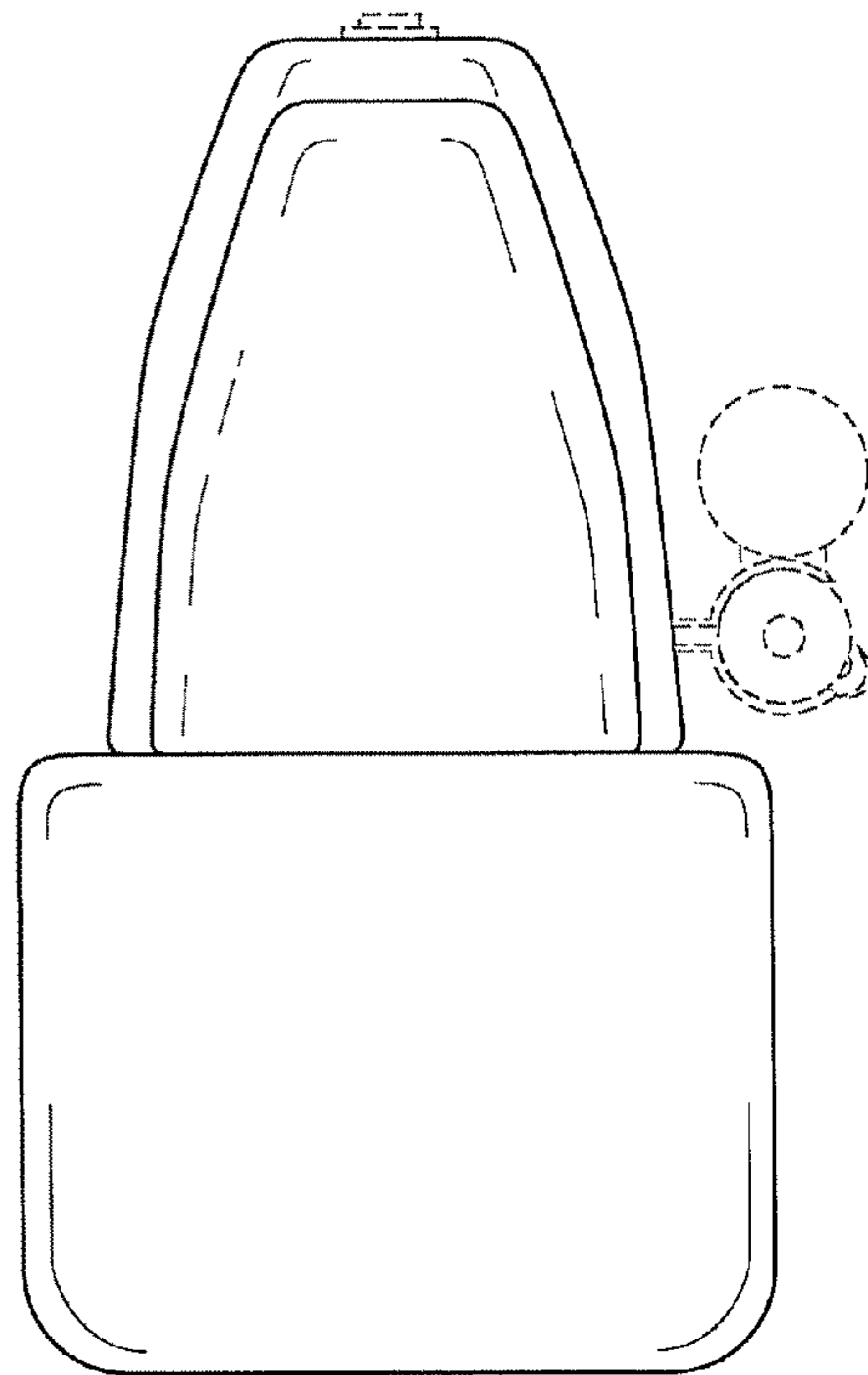


Fig. 5

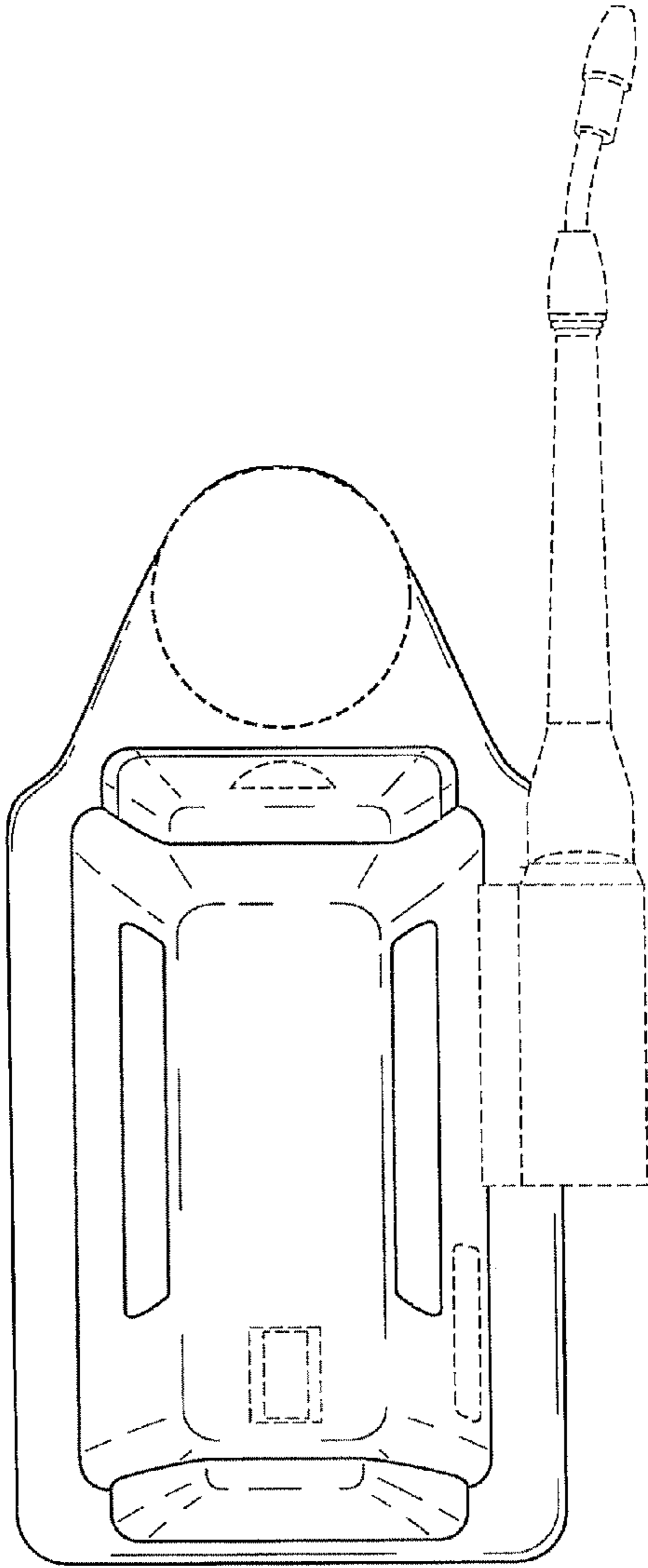


Fig. 6

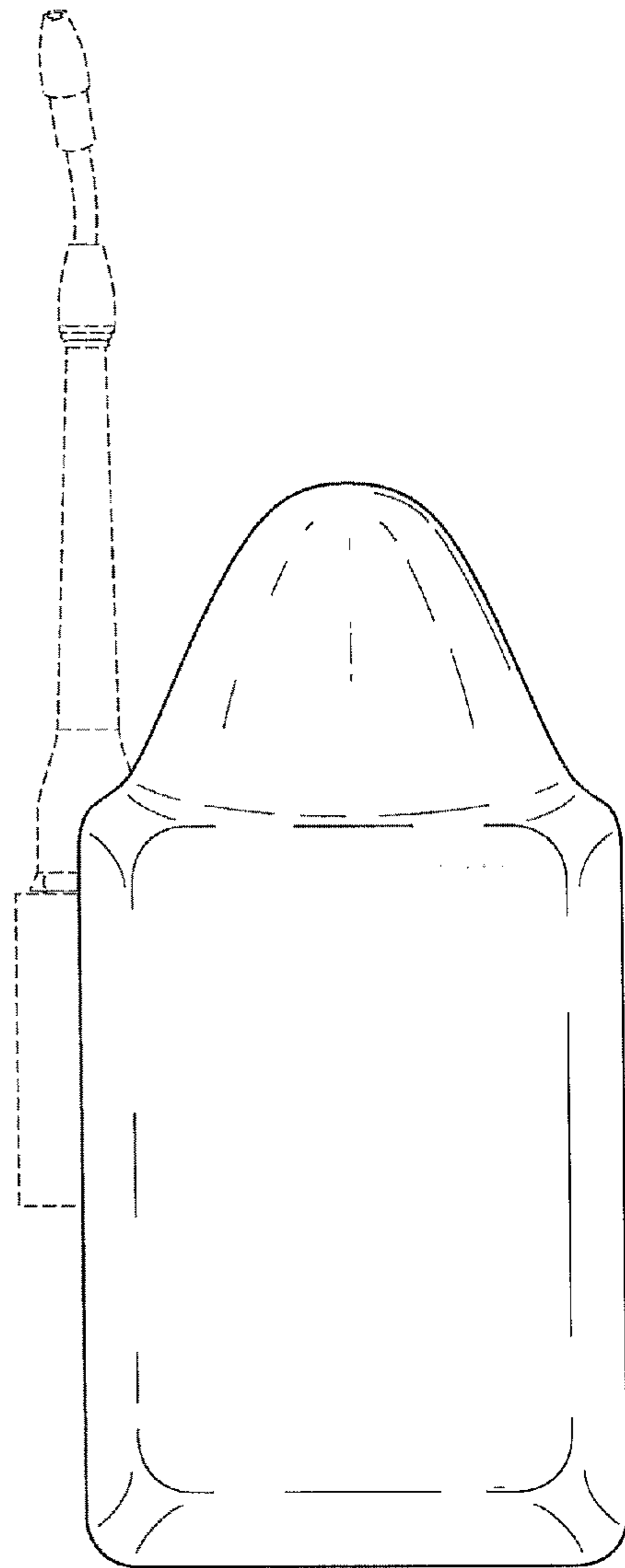


Fig. 7