

US00D647171S

(12) **United States Design Patent**  
**Underwood**

(10) **Patent No.:** **US D647,171 S**

(45) **Date of Patent:** **\*\* Oct. 18, 2011**

(54) **WATER TREATMENT UNIT**

(75) Inventor: **Lee Underwood**, Hazlemere (GB)

(73) Assignee: **VWS (UK) Limited**, Marlow, Bucks (GB)

(\*\*) Term: **14 Years**

(21) Appl. No.: **29/349,502**

(22) Filed: **Apr. 9, 2010**

(51) **LOC (9) Cl.** ..... **23-01**

(52) **U.S. Cl.** ..... **D23/207**

(58) **Field of Classification Search** ..... D23/207,  
D23/209, 225; 210/190, 241, 435  
See application file for complete search history.

(56) **References Cited**

U.S. PATENT DOCUMENTS

D351,893	S	*	10/1994	Whitesel	.....	D23/207
6,129,841	A	*	10/2000	Dann	.....	210/255
D454,614	S	*	3/2002	Marston	.....	D23/207
D575,844	S	*	8/2008	Park et al.	.....	D23/207
D580,515	S	*	11/2008	Wrobel et al.	.....	D23/225
D616,065	S	*	5/2010	Gundersen et al.	.....	D23/225

\* cited by examiner

*Primary Examiner* — Cathron C. Brooks

*Assistant Examiner* — Maurice Stevens

(74) *Attorney, Agent, or Firm* — Drinker Biddle & Reath LLP

(57) **CLAIM**

The ornamental design for a water treatment unit, as shown and described.

**DESCRIPTION**

FIG. 1 is an isometric view of a water treatment unit according to my new design with its flexible dispenser in an upper position.

FIG. 2 is a front view of the water treatment unit of FIG. 1.

FIG. 3 is a rear view of the water treatment unit of FIG. 1.

FIG. 4 is a right side view of the water treatment unit of FIG. 1; the left side view is a mirror image.

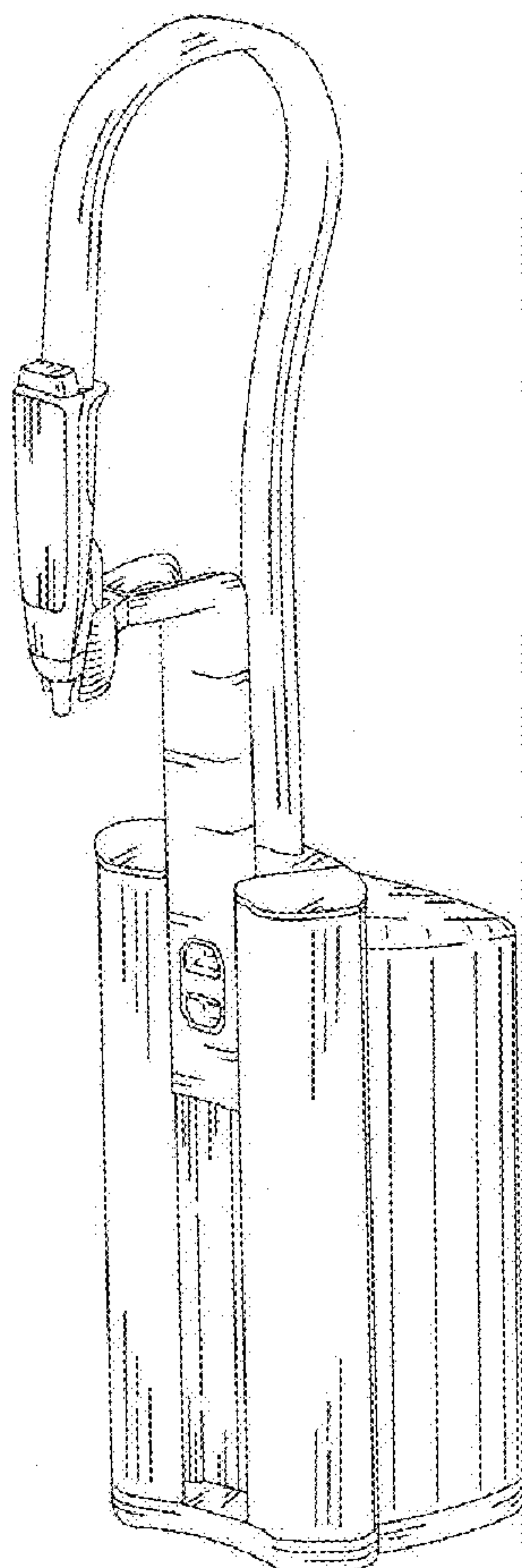
FIG. 5 is a top view of the water treatment unit of FIG. 1.

FIG. 6 is a bottom view of the water treatment unit of FIG. 1; and,

FIG. 7 is an isometric view of a water treatment unit of FIG. 1 with its flexible dispenser in a lower position.

The portions of the drawings appearing in broken lines are for environment only and do not form a part of the claimed design.

**1 Claim, 6 Drawing Sheets**



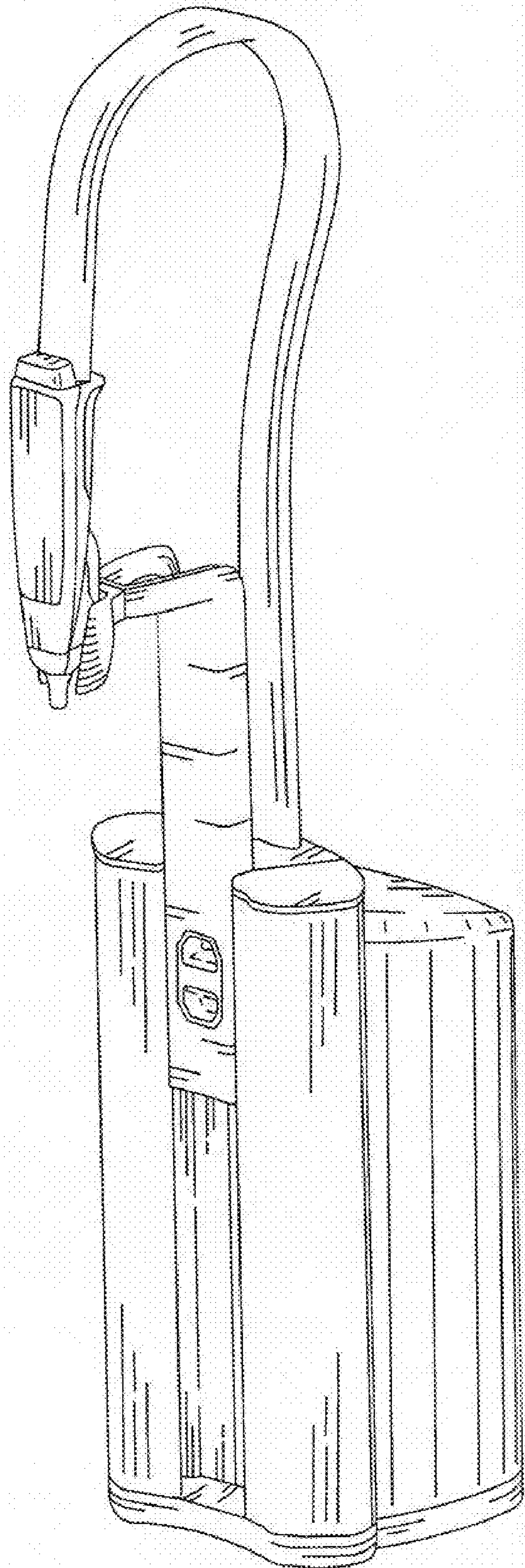


FIG. 1

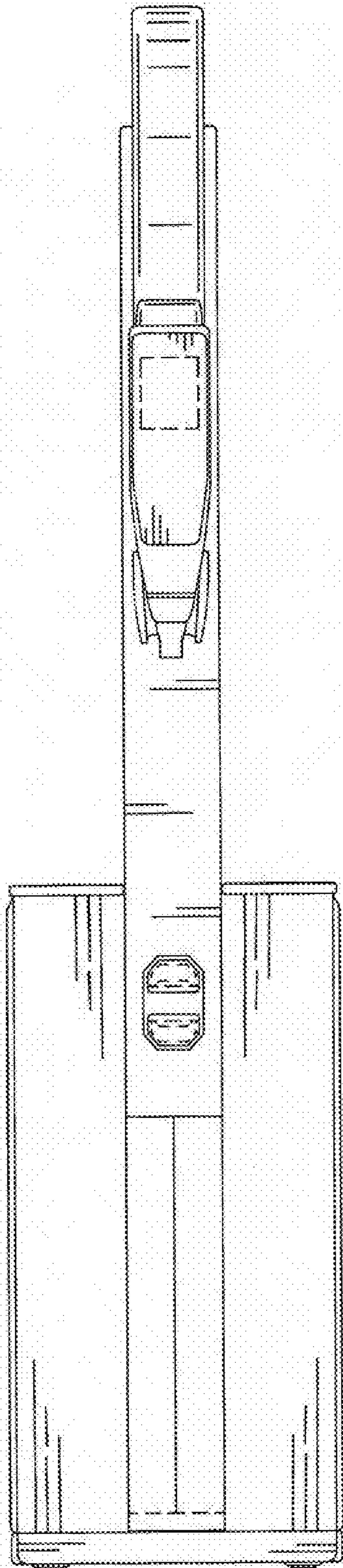


FIG. 2



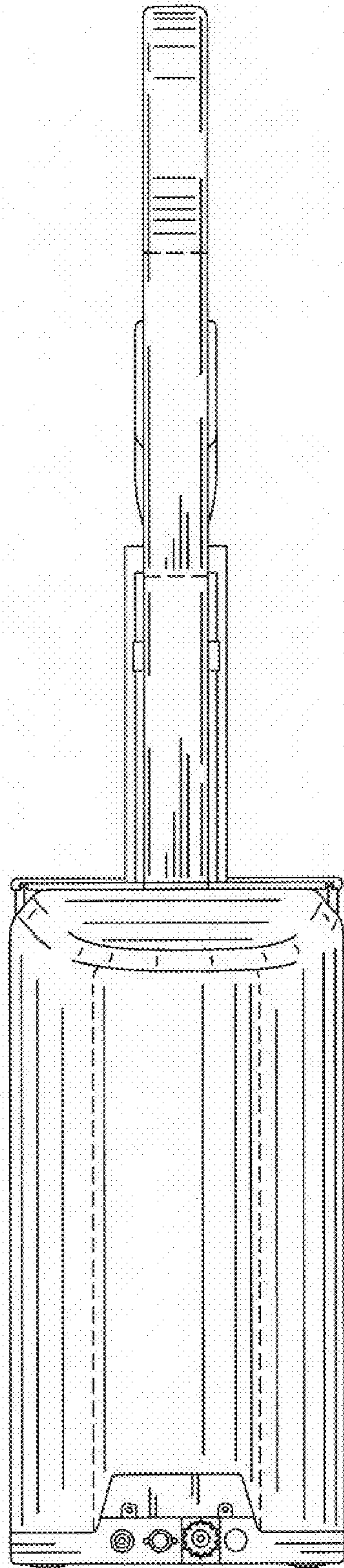


FIG. 3

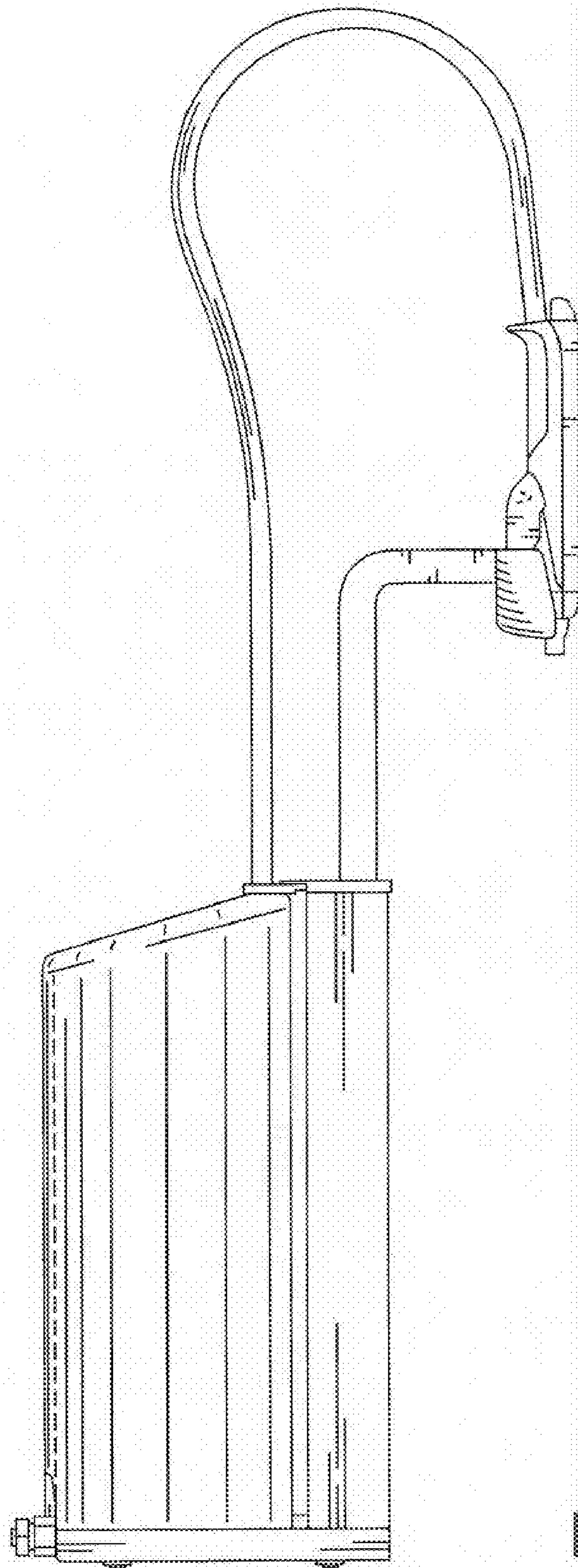


FIG. 4

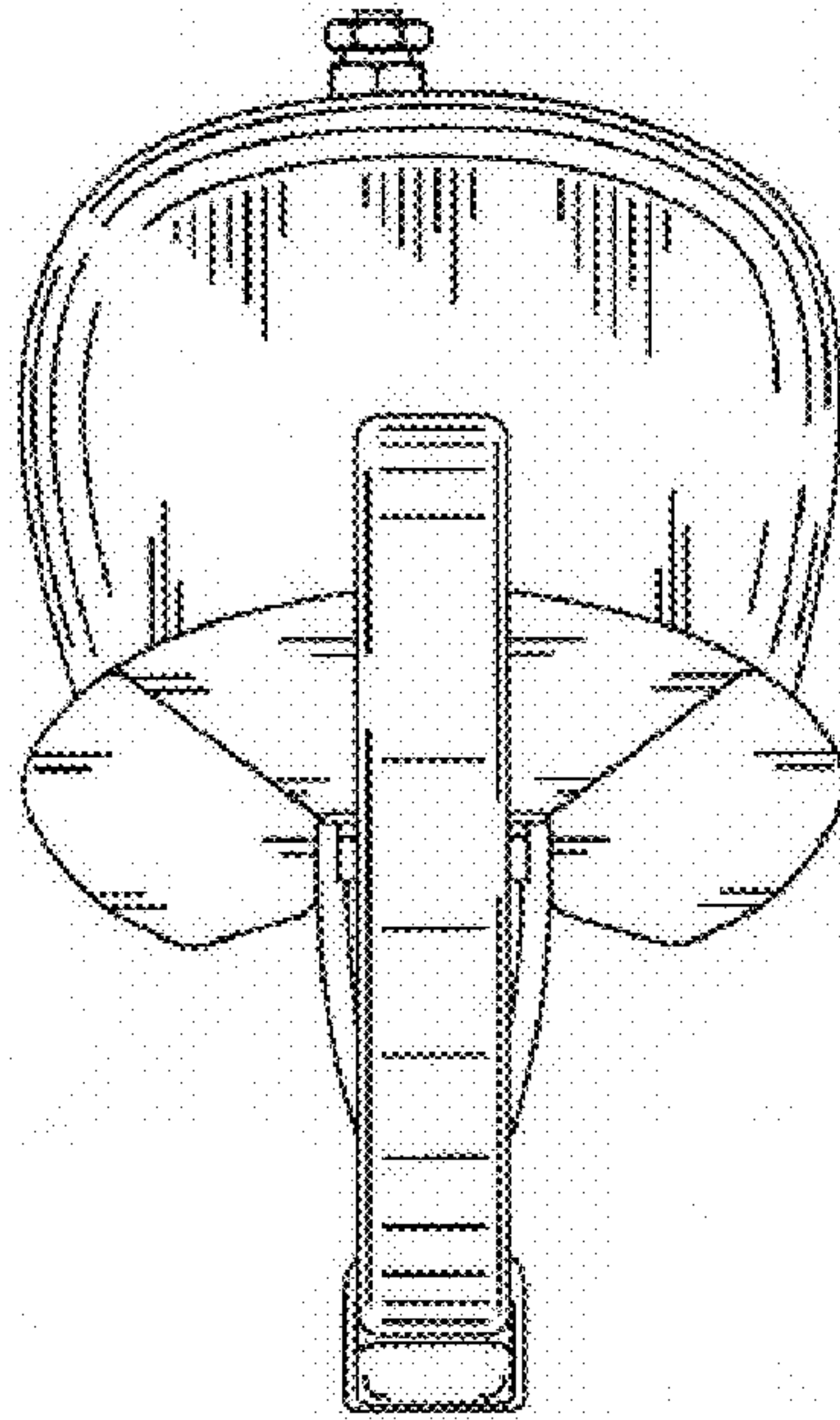


FIG. 5

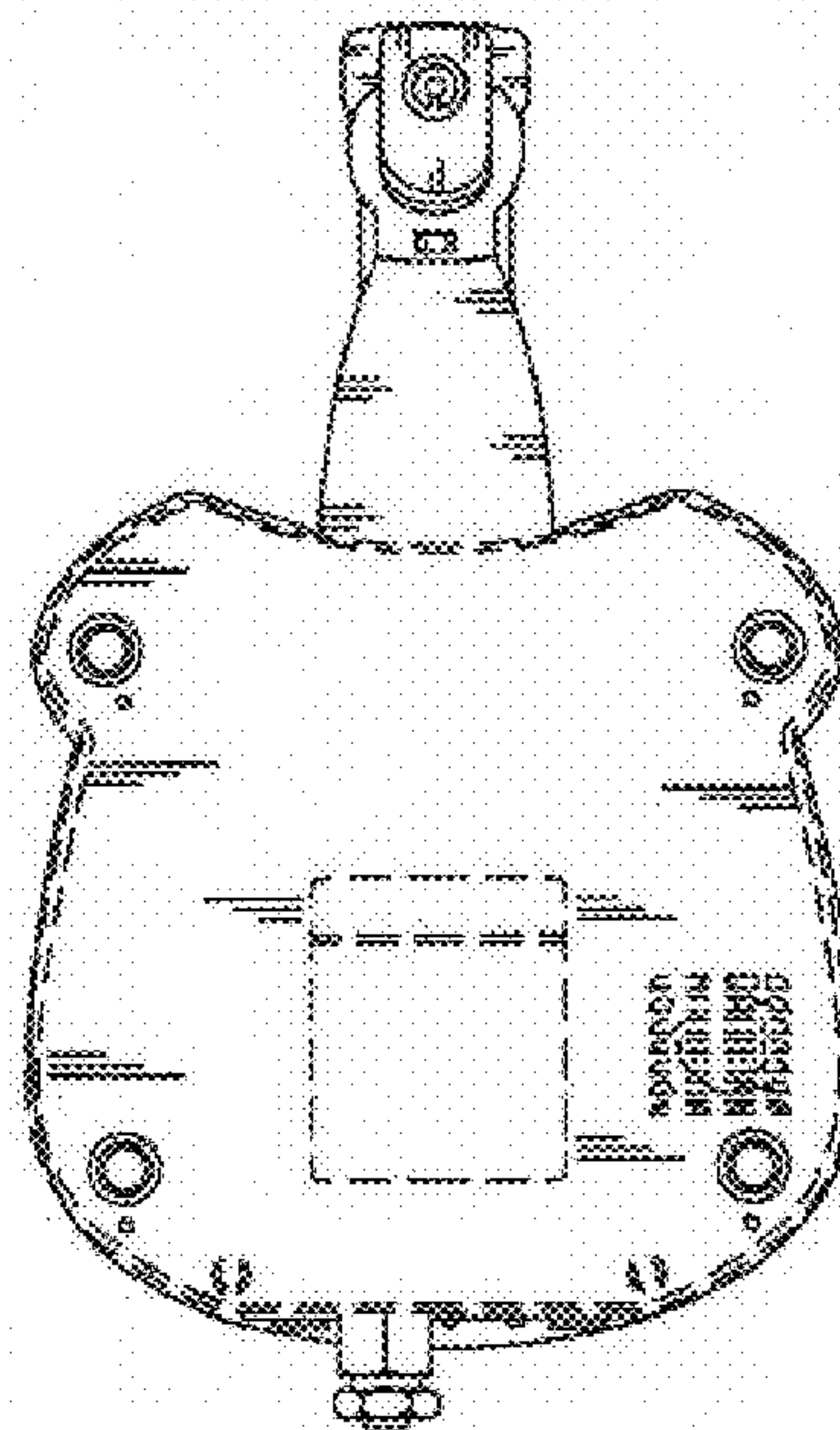


FIG. 6



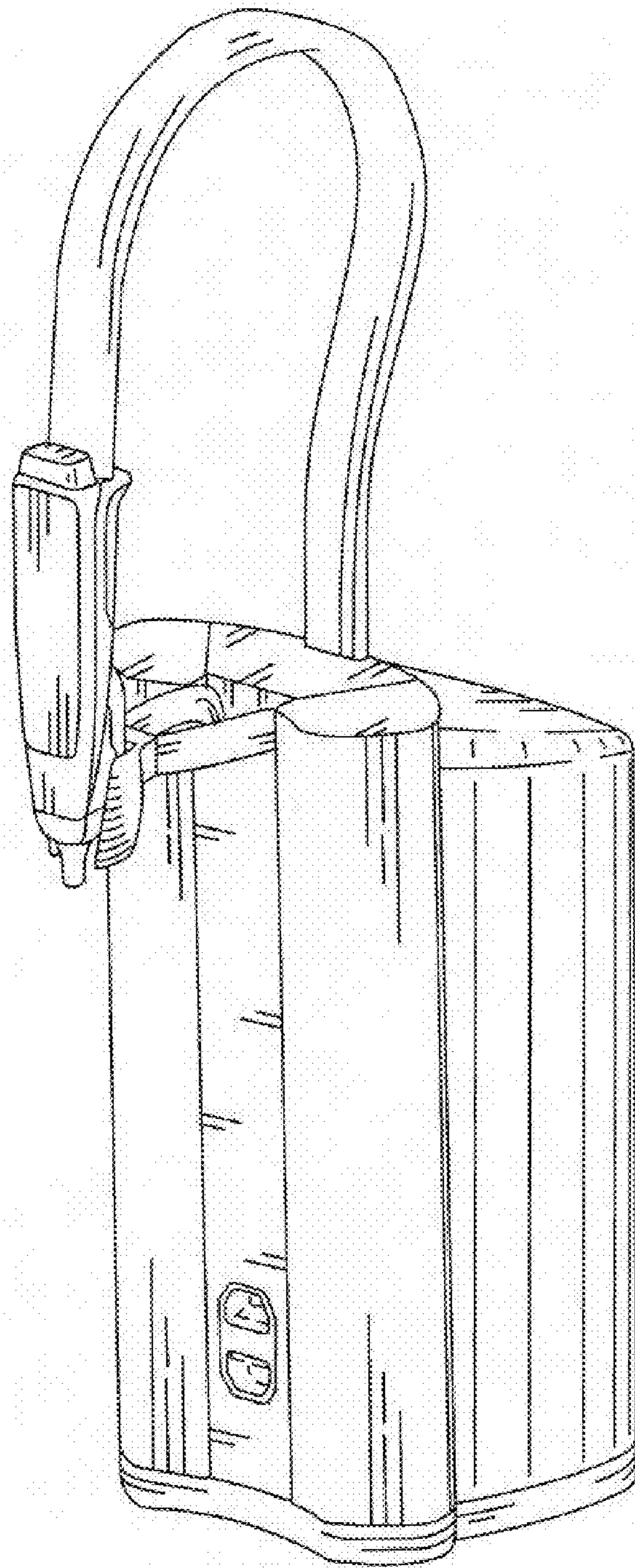


FIG. 7