



US00D647169S

(12) **United States Design Patent**
Leonard et al.

(10) **Patent No.:** **US D647,169 S**
(45) **Date of Patent:** **** Oct. 18, 2011**

(54) **FLUID TANK**

(75) Inventors: **Treaver Leonard**, Corinth, TX (US);
Trevor Lokie, Plano, TX (US);
Brandon Crim, Flower Mound, TX
(US); **John Dollar**, Arlington, TX (US);
Phillip J. Hall, Denton, TX (US)

(73) Assignee: **PACCAR Inc**, Bellevue, WA (US)

(**) Term: **14 Years**

(21) Appl. No.: **29/388,370**

(22) Filed: **Mar. 28, 2011**

(51) **LOC (9) Cl.** **23-01**

(52) **U.S. Cl.** **D23/202**

(58) **Field of Classification Search** D23/202–206;
220/565, 567.1, 586–587, 581, 562
See application file for complete search history.

(56) **References Cited**

U.S. PATENT DOCUMENTS

D196,272	S	*	9/1963	Gran	D23/202
D214,435	S	*	6/1969	Naeve	D12/218
D233,752	S	*	11/1974	Scheffler	D23/205
D270,856	S	*	10/1983	Peets et al.	D23/202
D293,705	S	*	1/1988	Sayward	D23/202
D307,731	S		5/1990	Kerney		
D344,571	S	*	2/1994	Peasley	D23/202
D358,194	S	*	5/1995	Schroeder	D23/202
D386,240	S	*	11/1997	Howseman, Jr.	D23/202
5,975,330	A	*	11/1999	Sasaki et al.	220/495.01
6,381,823	B1	*	5/2002	Krejci	29/416
D514,192	S	*	1/2006	Stoner	D23/202
D527,789	S	*	9/2006	Thompson et al.	D23/202
7,455,190	B2	*	11/2008	Potter et al.	220/4.14
D603,932	S	*	11/2009	Nattrass et al.	D23/202
D612,448	S	*	3/2010	Richardson	D23/202
D628,672	S	*	12/2010	Kendall et al.	D23/202

OTHER PUBLICATIONS

“Class Pays,” Peterbilt Motors Company, Denton, Texas, Sep. 1997, 10-page brochure.
“Class Pays, Medium Duty,” Peterbilt Motors Company, Denton, Texas, Sep. 2000, 12-page brochure.
“Model 362,” Peterbilt Motors Company, Newark, California, 1985, 8-page brochure.
“Model 378,” Peterbilt Motors Company, Denton, Texas, Mar. 1998, 3-page brochure.
“T600A,” Kenworth Truck Company, Kirkland, Washington, 1985, 10-page brochure.
“W900L Aero Cab,” Kenworth Truck Company, Kirkland, Washington, 1994, 2-page brochure.

* cited by examiner

Primary Examiner — Robin V Webster

(74) *Attorney, Agent, or Firm* — Christensen O’Connor Johnson Kindness PLLC

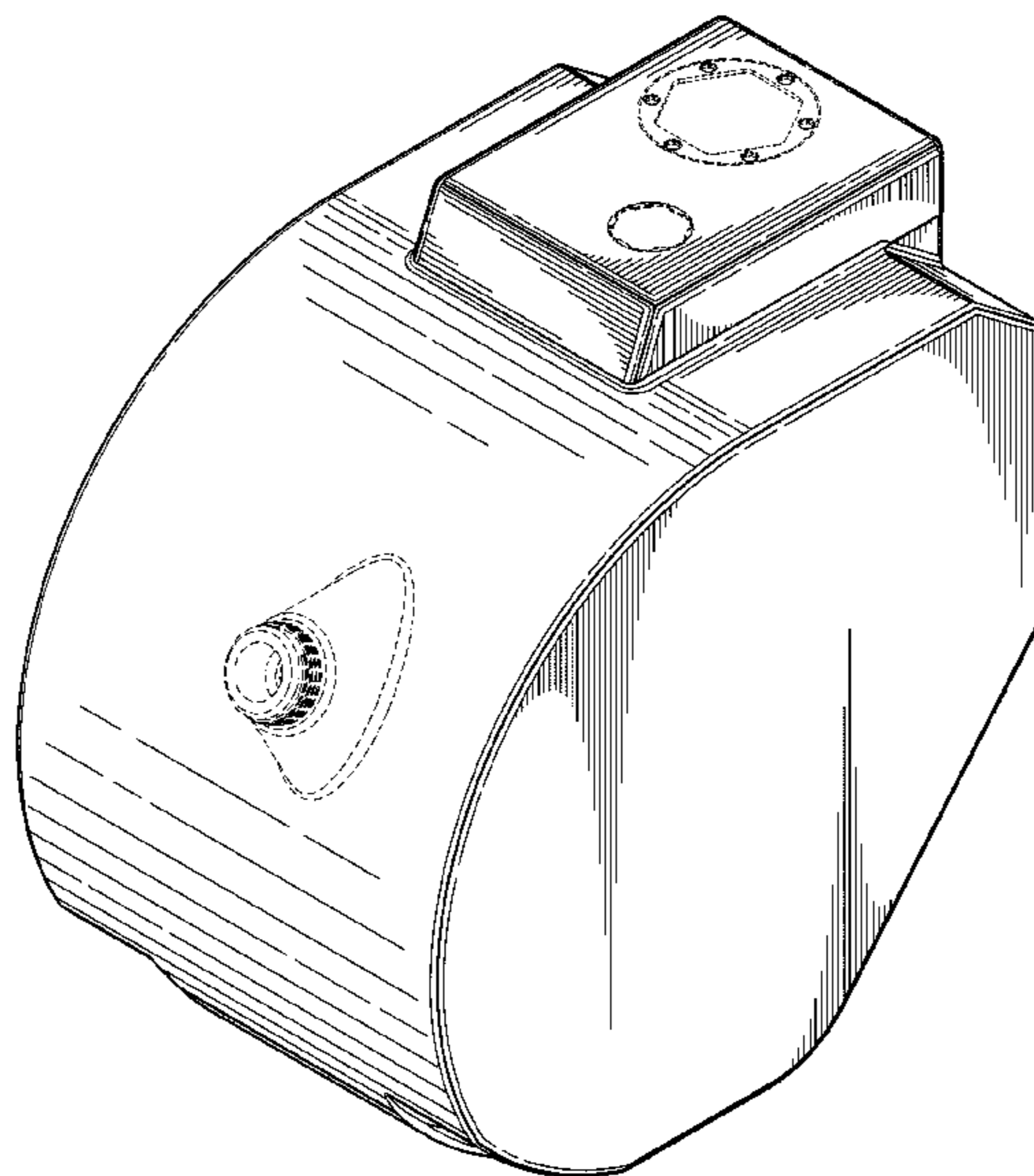
(57) **CLAIM**

The ornamental design for a fluid tank, as shown and described.

DESCRIPTION

FIG. 1 is a front perspective view of a fluid tank according to our new design;
FIG. 2 is a rear perspective view of a fluid tank according to our new design;
FIG. 3 is a top view of the fluid tank of FIG. 1;
FIG. 4 is a bottom view of the fluid tank of FIG. 1;
FIG. 5 is a front view of the fluid tank of FIG. 1;
FIG. 6 is a rear view of the fluid tank of FIG. 1;
FIG. 7 is a side view of the fluid tank taken from the left side of FIG. 1; and,
FIG. 8 is a side view of the fluid tank taken from the right side of FIG. 1.
The broken lines shown in FIGS. 1, 3, 4, 5, 7, and 8 form no part of the claimed design.

1 Claim, 5 Drawing Sheets



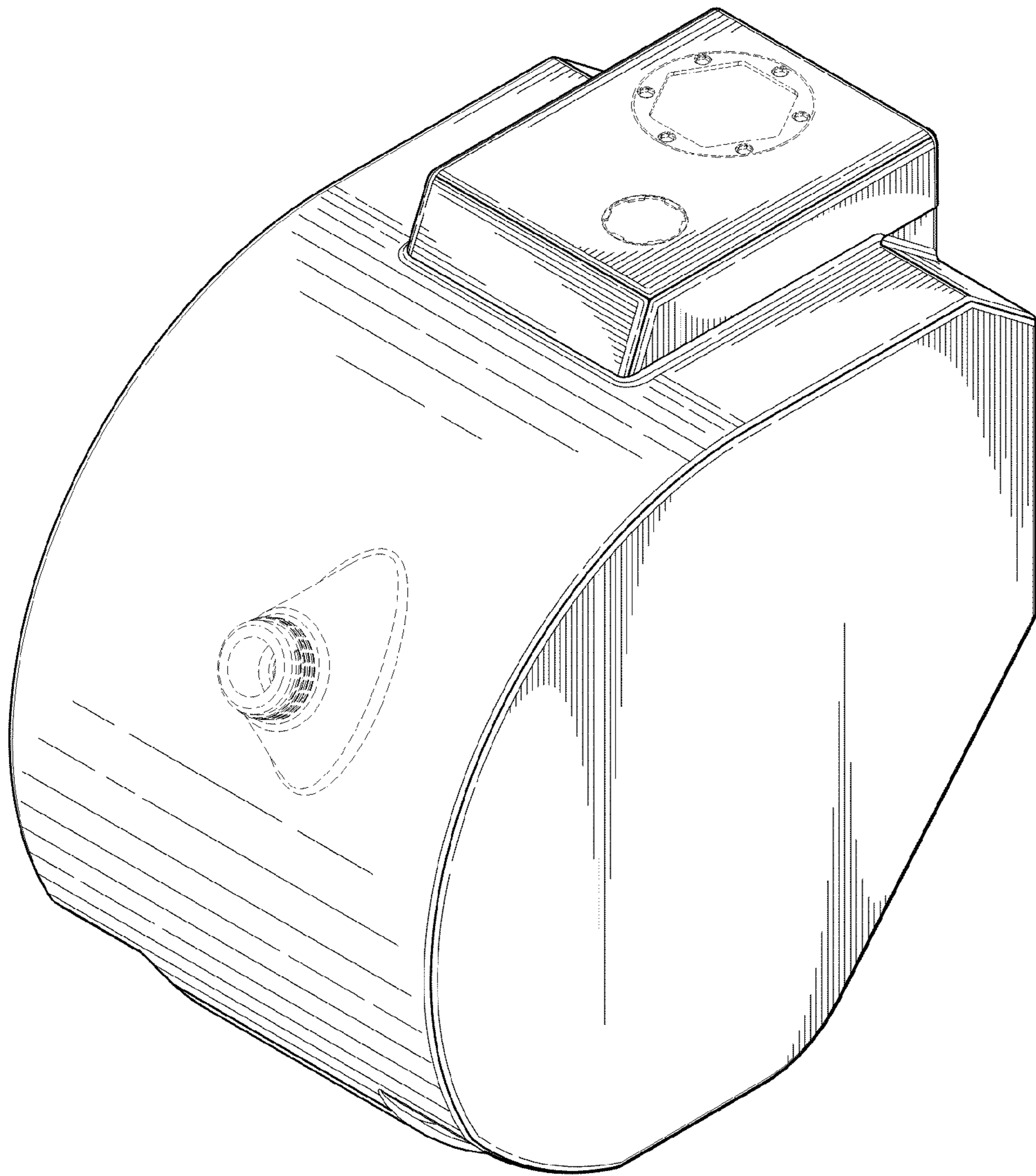


Fig. 1.

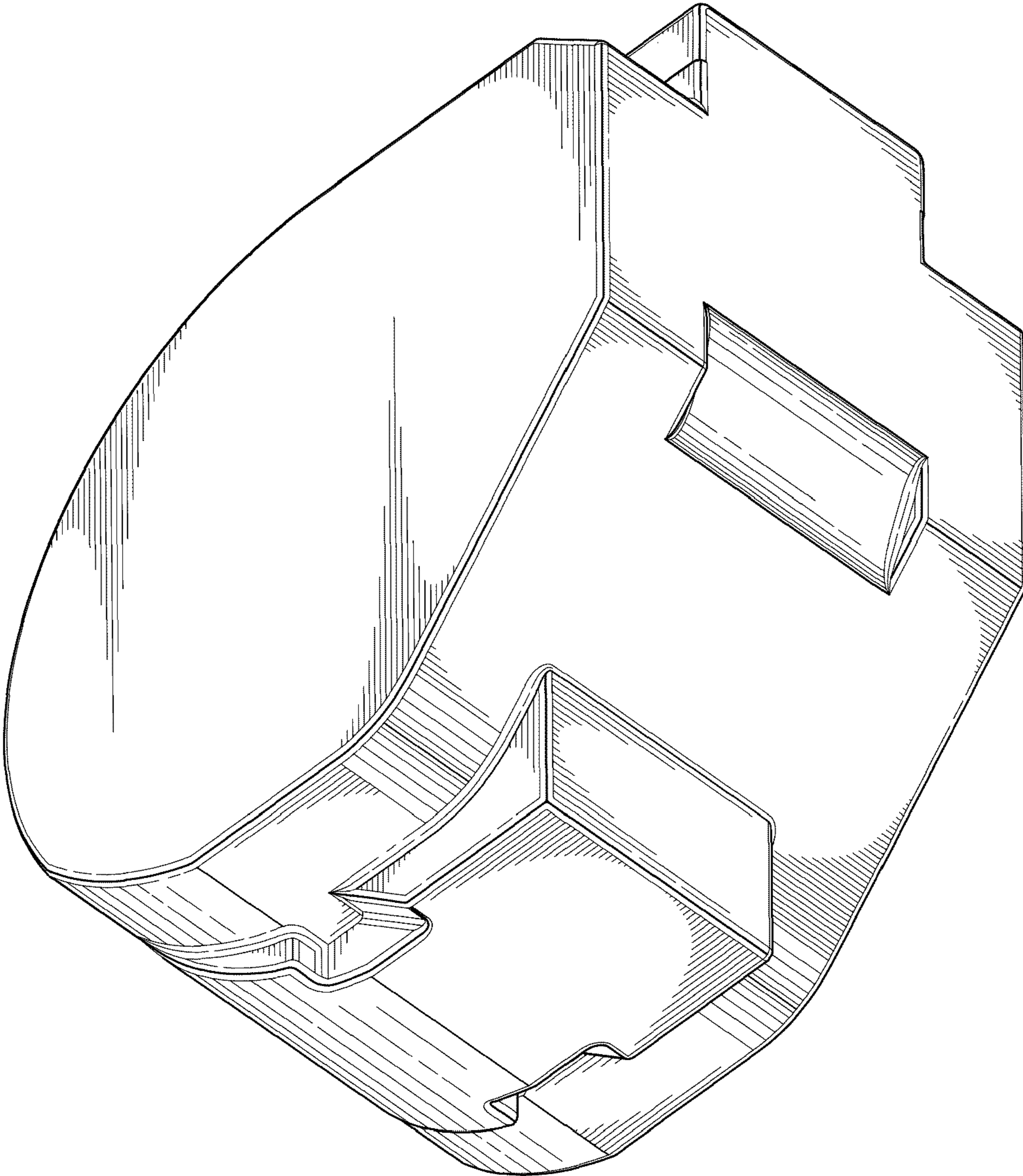


Fig. 2.

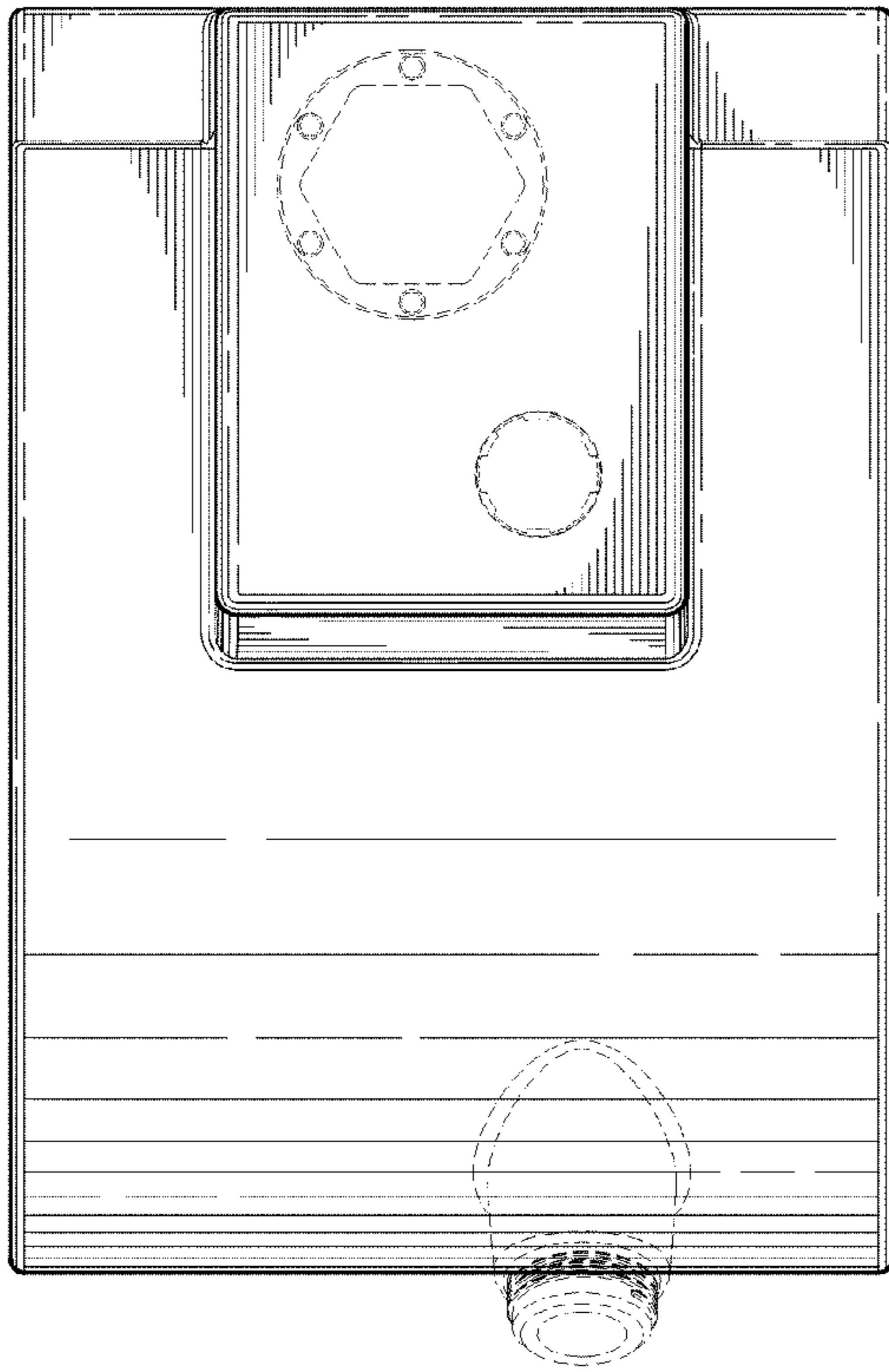


Fig. 3.

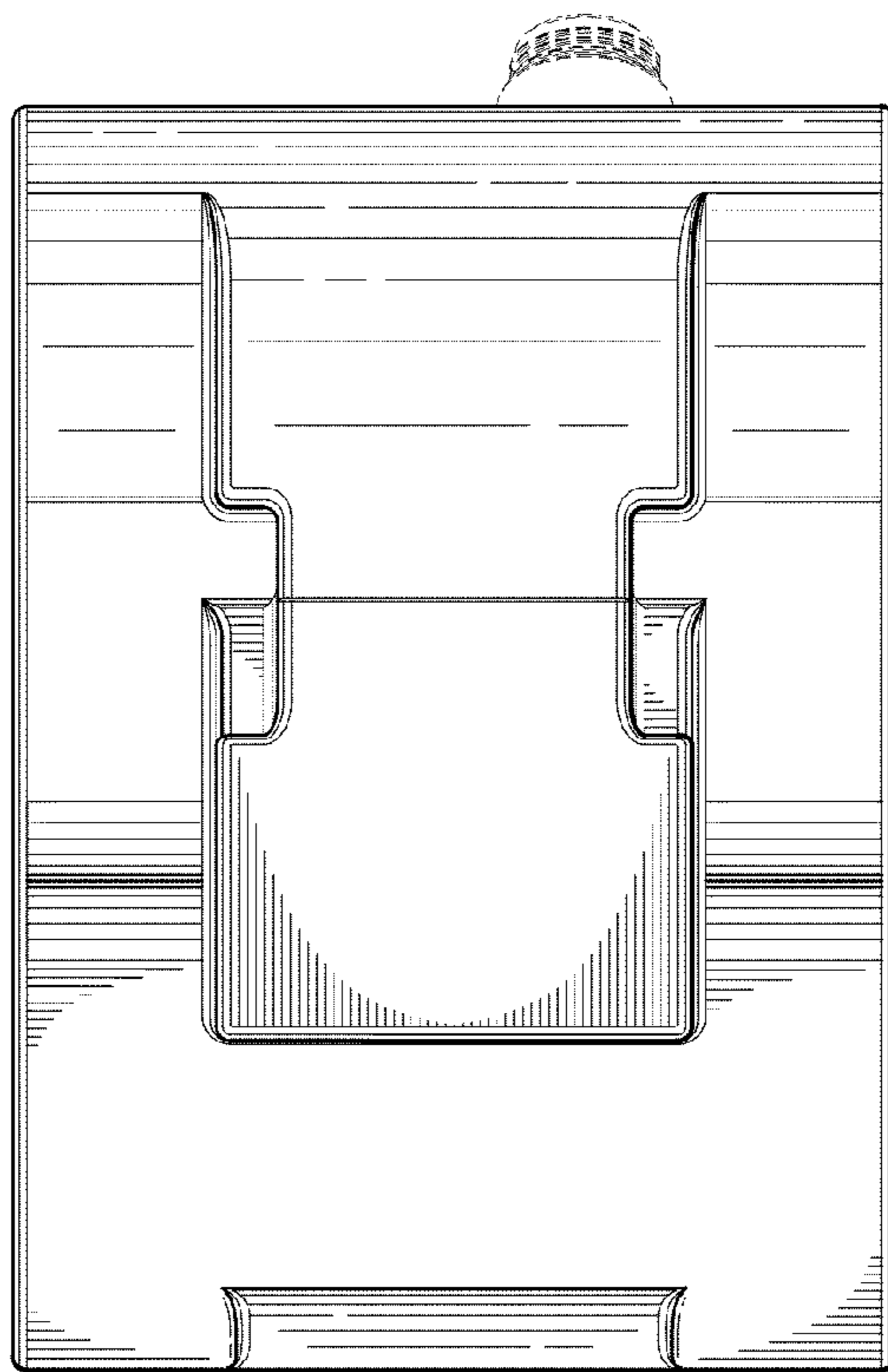


Fig. 4.

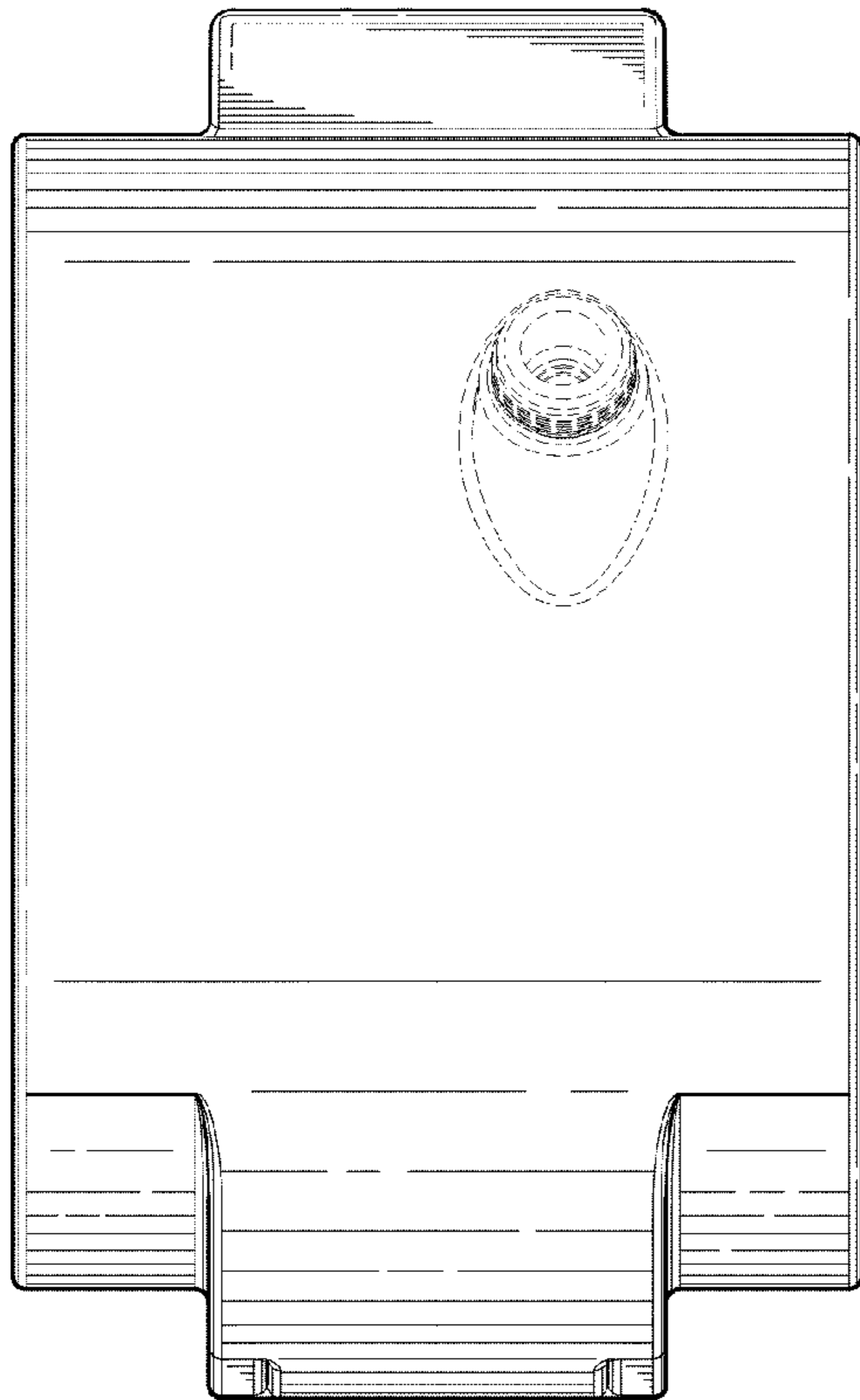


Fig. 5.

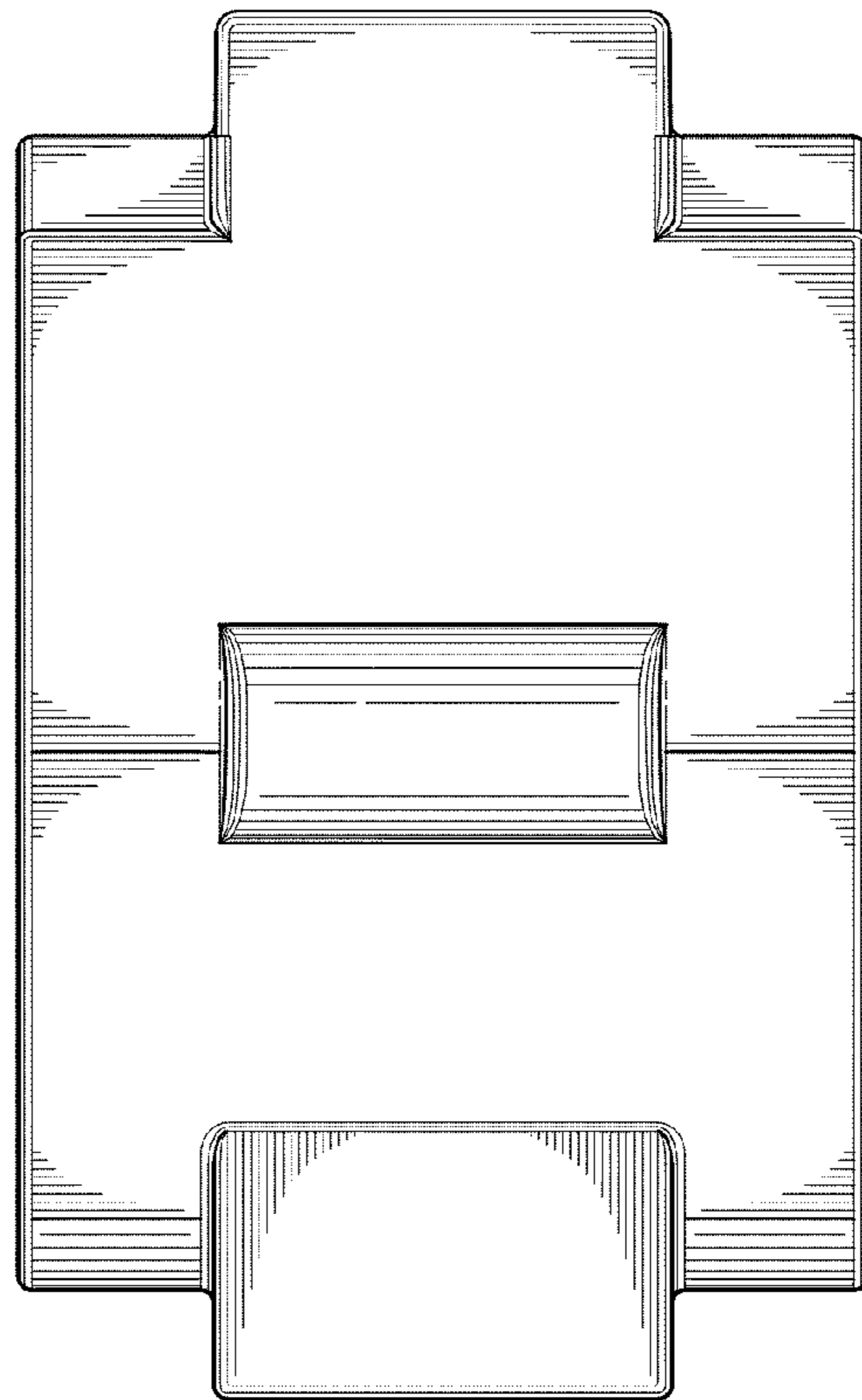


Fig. 6.

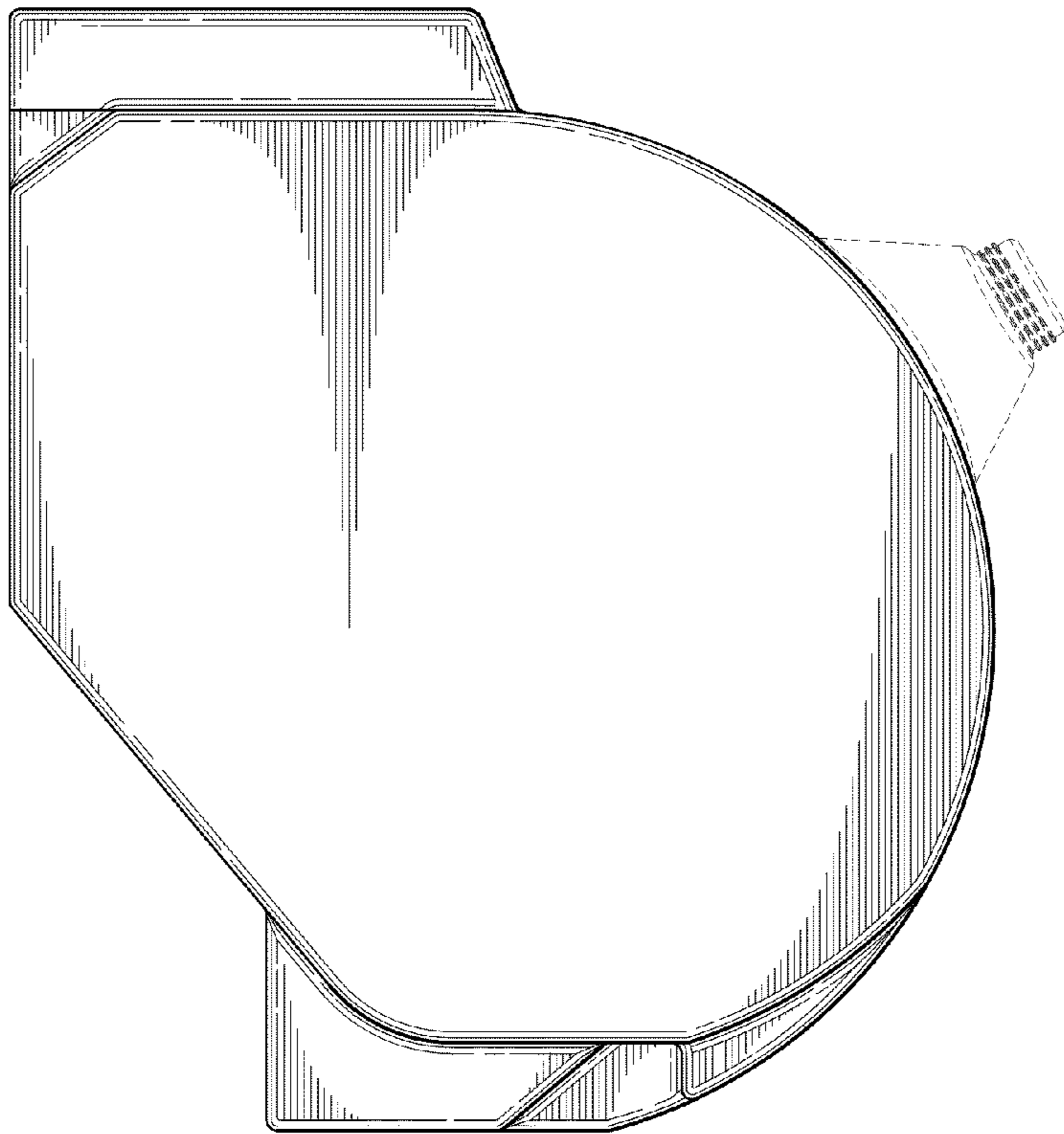


Fig. 7.

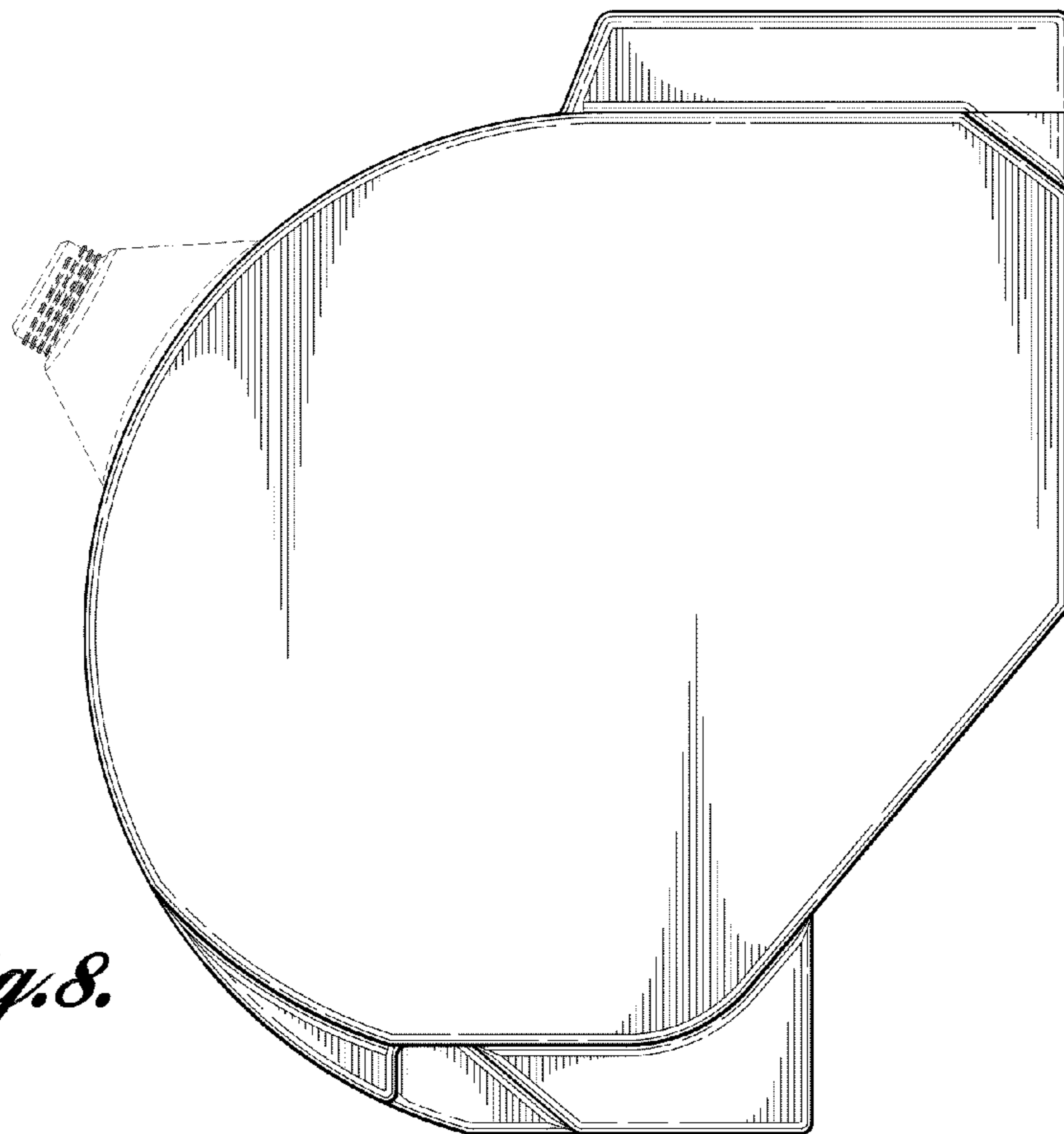


Fig. 8.