



US00D647165S

(12) **United States Design Patent**
Brown et al.

(10) **Patent No.:** **US D647,165 S**
(45) **Date of Patent:** **** Oct. 18, 2011**

(54) **PORTABLE WATER FILLING STATION**

5,419,497 A * 5/1995 Warrington 239/722
6,766,966 B2 * 7/2004 You 239/146
7,137,223 B1 * 11/2006 Purcell 47/48.5

(75) Inventors: **Dennis B. Brown**, Logan, UT (US);
Richard O. Evans, Hyrum, UT (US);
Gary Cruikshank, Ferndale, WA (US)

* cited by examiner

(73) Assignee: **Aquamira Technologies, Inc.**, Logan,
UT (US)

Primary Examiner — Robin V Webster

(74) *Attorney, Agent, or Firm* — Holme Roberts & Owen
LLP

(**) Term: **14 Years**

(57) **CLAIM**

The ornamental design for a portable water filling station, as
shown and described.

(21) Appl. No.: **29/383,472**

DESCRIPTION

(22) Filed: **Jan. 18, 2011**

(51) **LOC (9) Cl.** **23-01**

(52) **U.S. Cl.** **D23/200; D23/225**

(58) **Field of Classification Search** D23/213,
D23/223, 225, 226; 239/722, 198; 137/84;
4/625; 417/2, 62

See application file for complete search history.

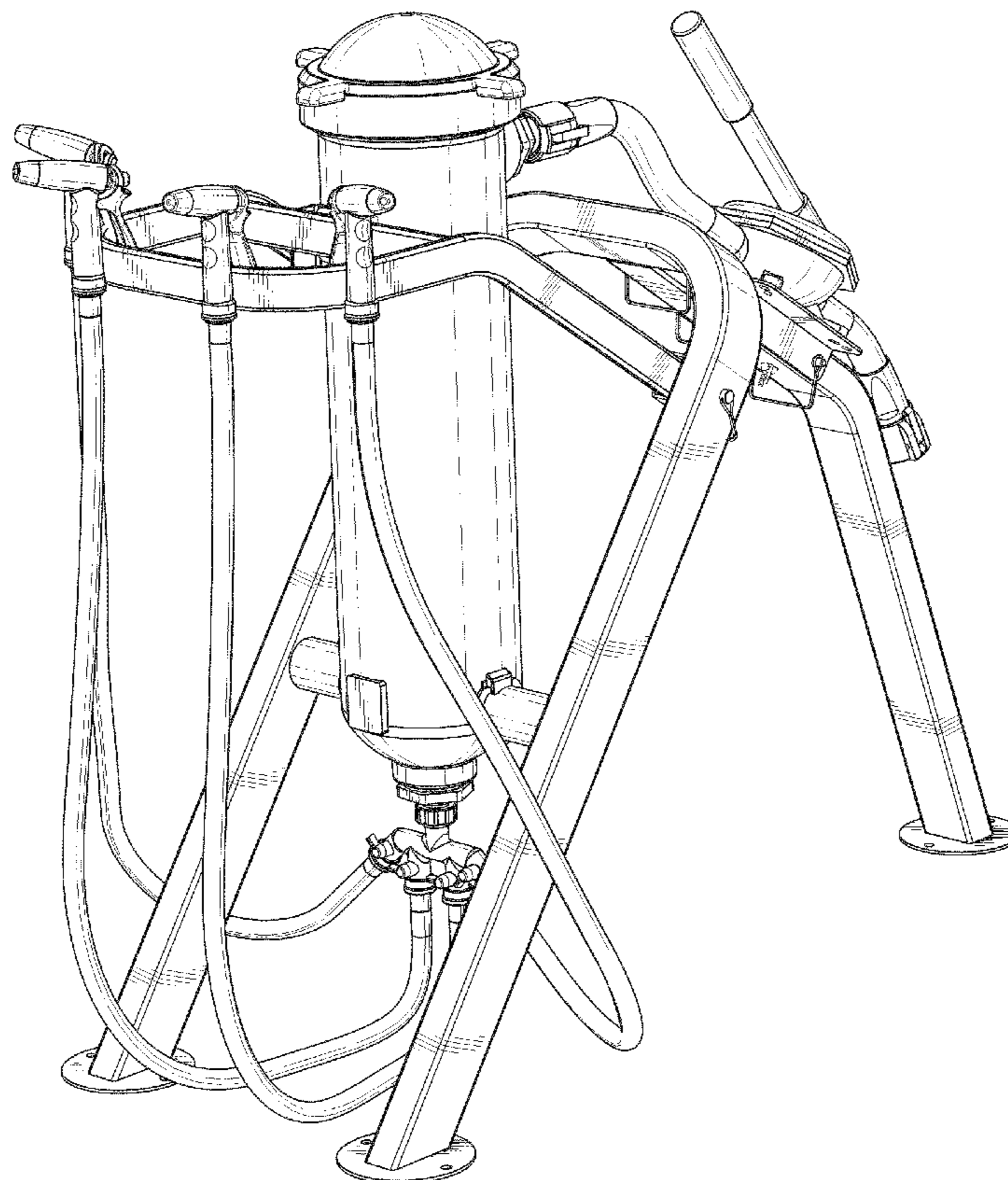
FIG. 1 is an isometric view of an embodiment of a portable
water filling station;
FIG. 2 is a front-view of the embodiment of the portable water
filling station in FIG. 1;
FIG. 3 is a top-view of the embodiment of the portable water
filling station in FIG. 1;
FIG. 4 is a side-view of the embodiment of the portable water
filling station in FIG. 1;
FIG. 5 is a back-view of the embodiment of the portable water
filling station in FIG. 1; and,
FIG. 6 is a bottom-view of the embodiment of the portable
water filling station in FIG. 1.

(56) **References Cited**

U.S. PATENT DOCUMENTS

2,380,827 A * 7/1945 Downs 239/113
3,977,602 A * 8/1976 Kirch 239/74
5,393,228 A * 2/1995 Policicchio 433/88

1 Claim, 6 Drawing Sheets



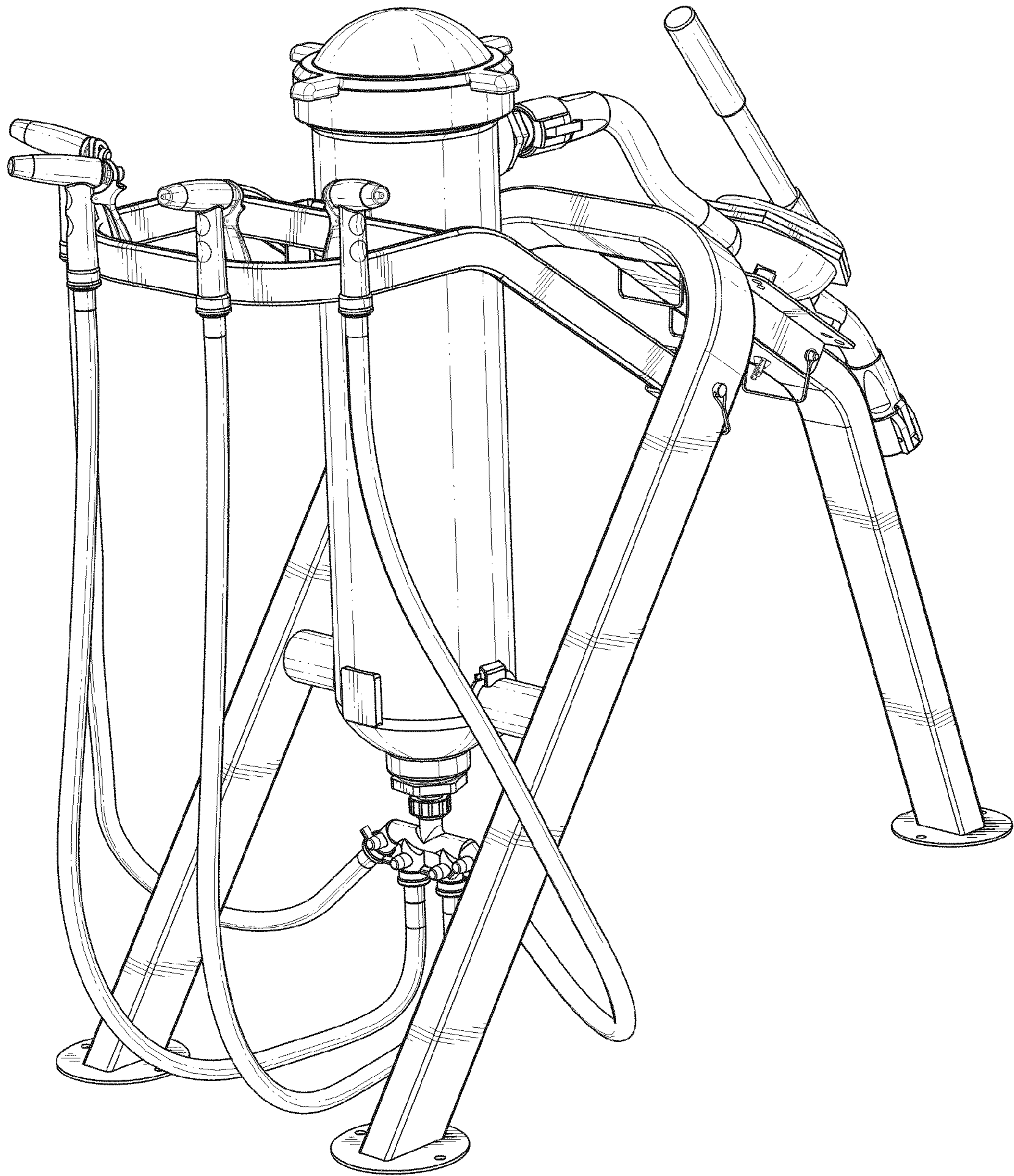


FIG. 1

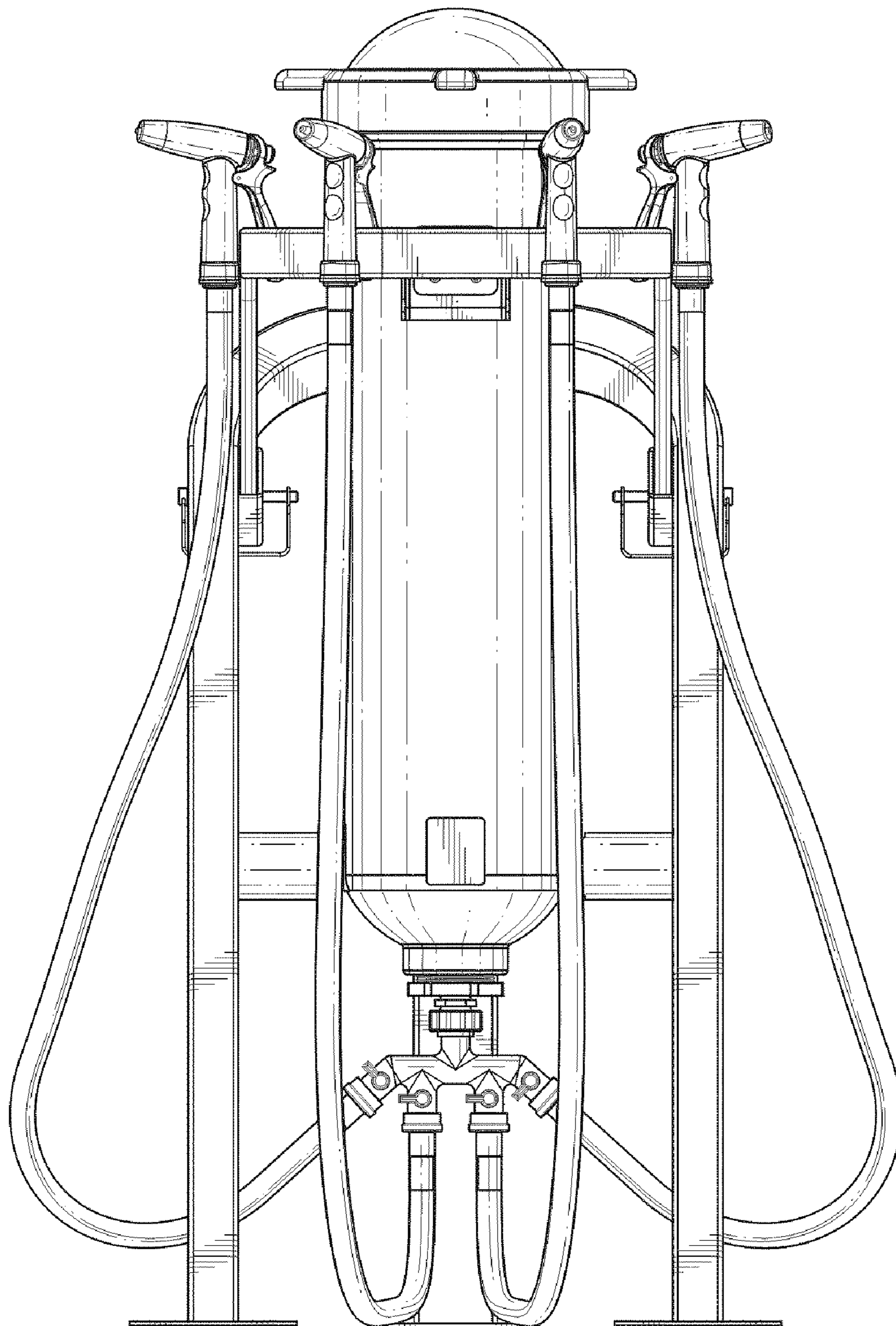


FIG. 2

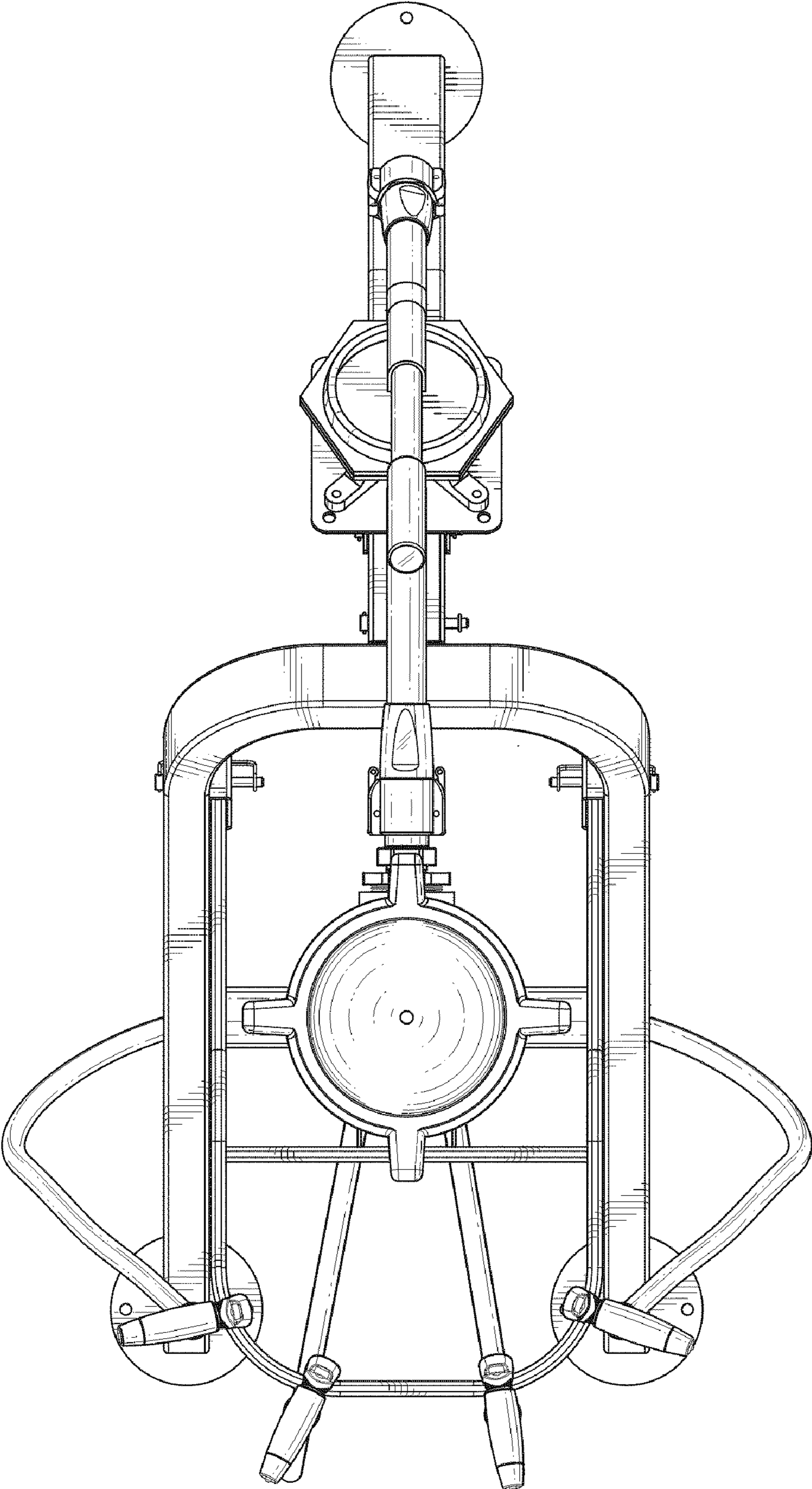


FIG. 3

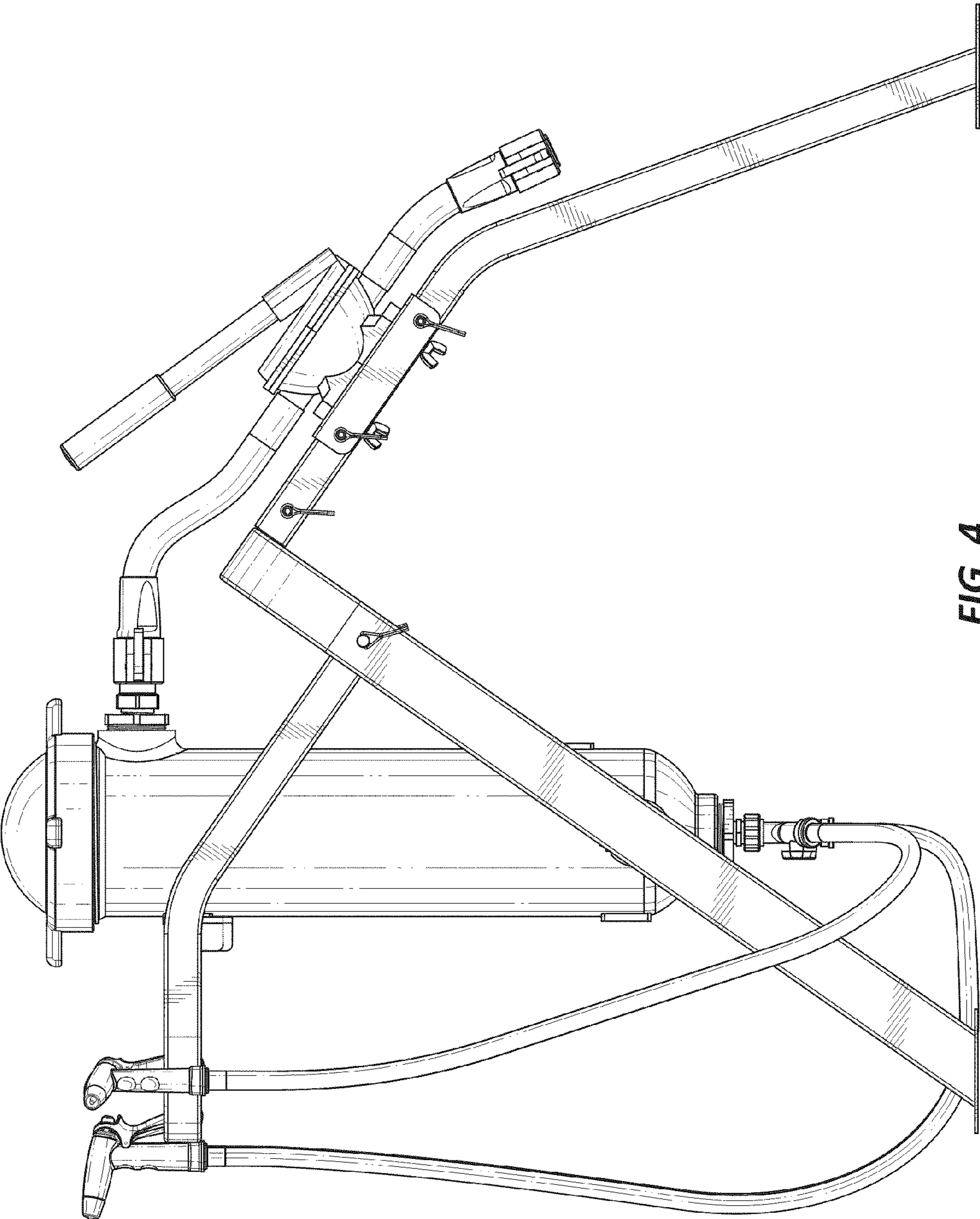


FIG. 4

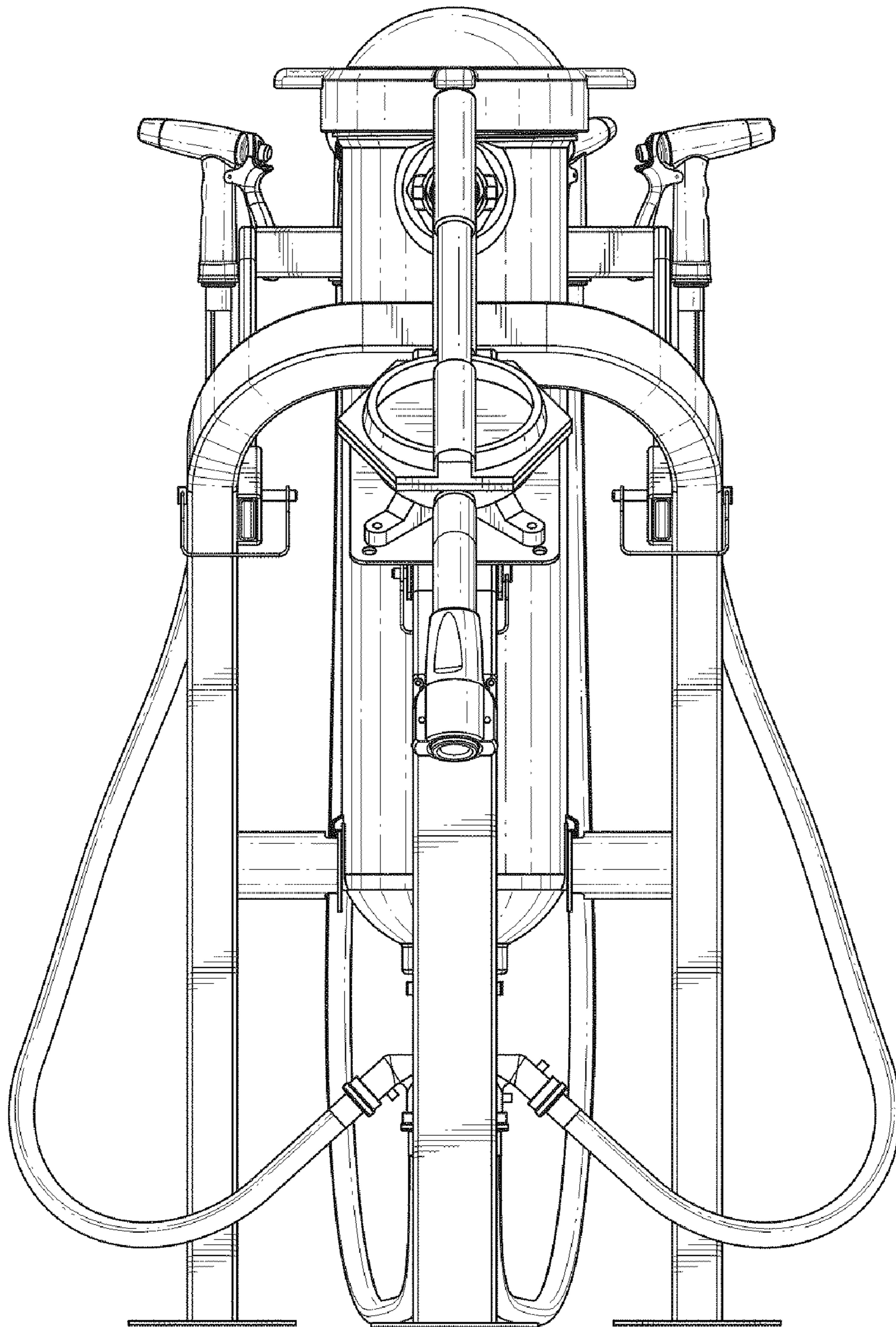


FIG. 5

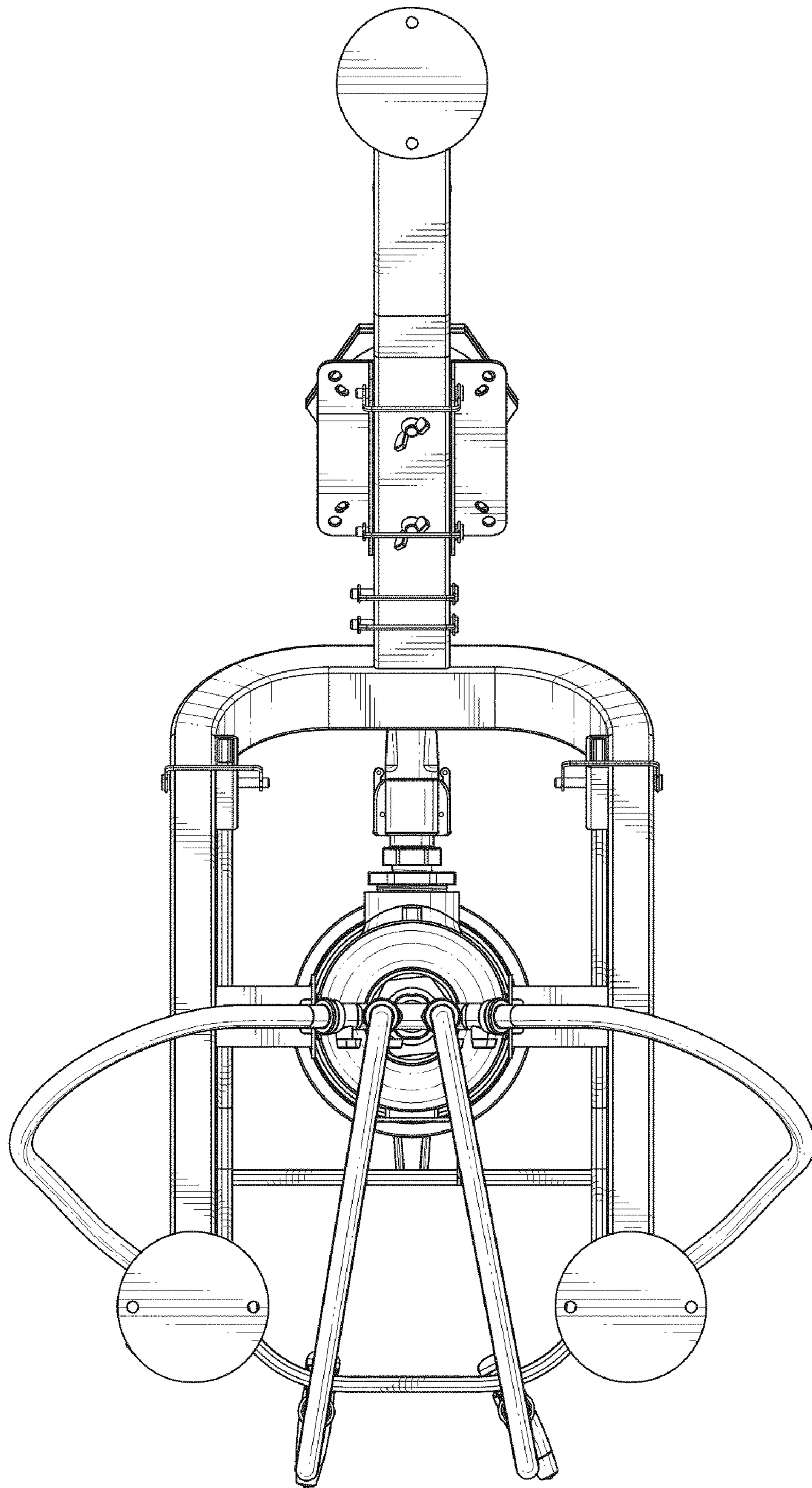


FIG. 6