



US00D647163S

(12) **United States Design Patent**
Lin

(10) **Patent No.:** **US D647,163 S**

(45) **Date of Patent:** **** Oct. 18, 2011**

(54) **HANDLE END OF FISHING ROD**

(76) Inventor: **Yi-Te Lin**, Tainan (TW)

(**) Term: **14 Years**

(21) Appl. No.: **29/387,884**

(22) Filed: **Mar. 20, 2011**

(51) **LOC (9) Cl.** **22-05**

(52) **U.S. Cl.** **D22/142**

(58) **Field of Classification Search** D22/137-142,
D22/134; D3/12; 43/18.1 R, 19-22; D8/300,
D8/303, 305, 310, 313

See application file for complete search history.

(56) **References Cited**

U.S. PATENT DOCUMENTS

D156,615 S	*	12/1949	Fletcher	D22/142
D194,153 S	*	11/1962	Clink	D22/142
D357,968 S	*	5/1995	Ohmura	D22/142
D459,646 S	*	7/2002	Bertani	D8/310
D466,181 S	*	11/2002	DeSorcy	D22/142

D466,581 S	*	12/2002	DeSorcy	D22/142
D583,647 S	*	12/2008	Jou	D8/307
D607,532 S	*	1/2010	Tsutsumi et al.	D22/142

* cited by examiner

Primary Examiner — Catheri Oliver

(57) **CLAIM**

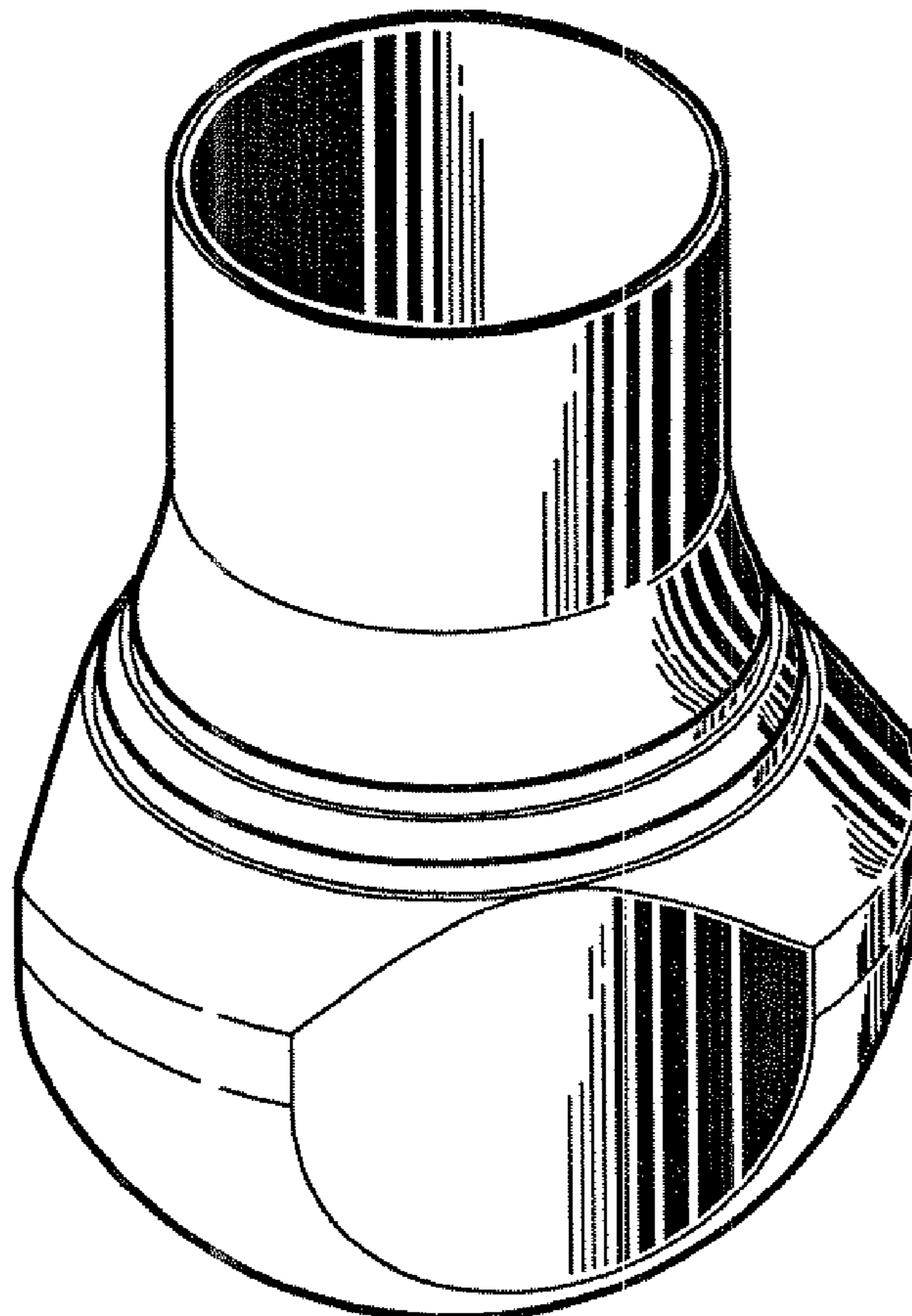
The ornamental design for the handle end of fishing rod, as shown and described.

DESCRIPTION

FIG. 1 is a perspective view of the handle end of fishing rod showing my new design;
FIG. 2 is a front elevation view thereof;
FIG. 3 is a rear elevation view thereof;
FIG. 4 is a left side elevation view thereof;
FIG. 5 is a right side elevation view thereof;
FIG. 6 is a top plan view thereof; and
FIG. 7 is a bottom plan view thereof; and
FIG. 8 is an operating illustration of a handle end of fishing rod.

The broken line showing of environment in FIG. 8 is included for the purpose of illustrating only and forms no part of the claimed design.

1 Claim, 5 Drawing Sheets



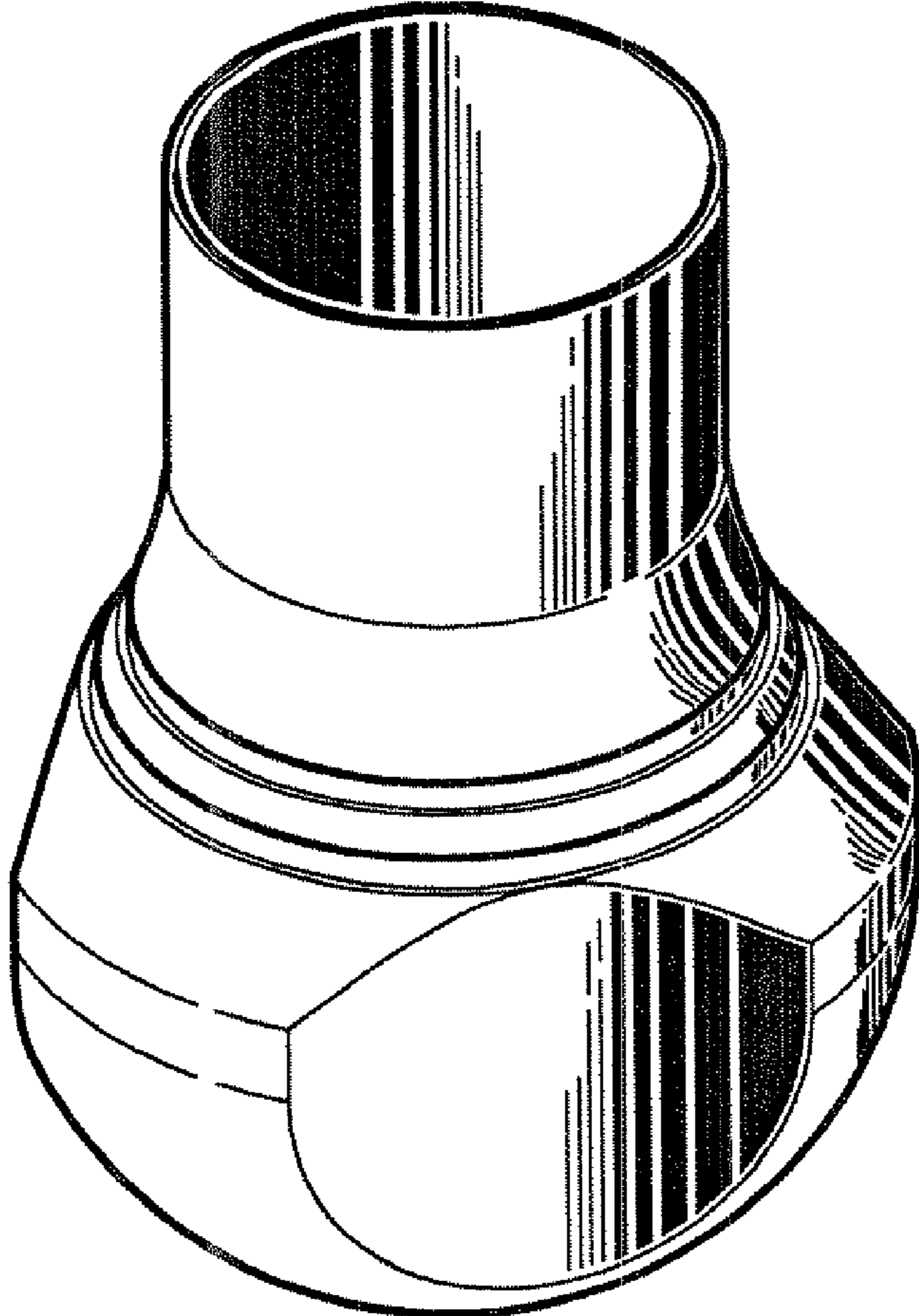


FIG. 1

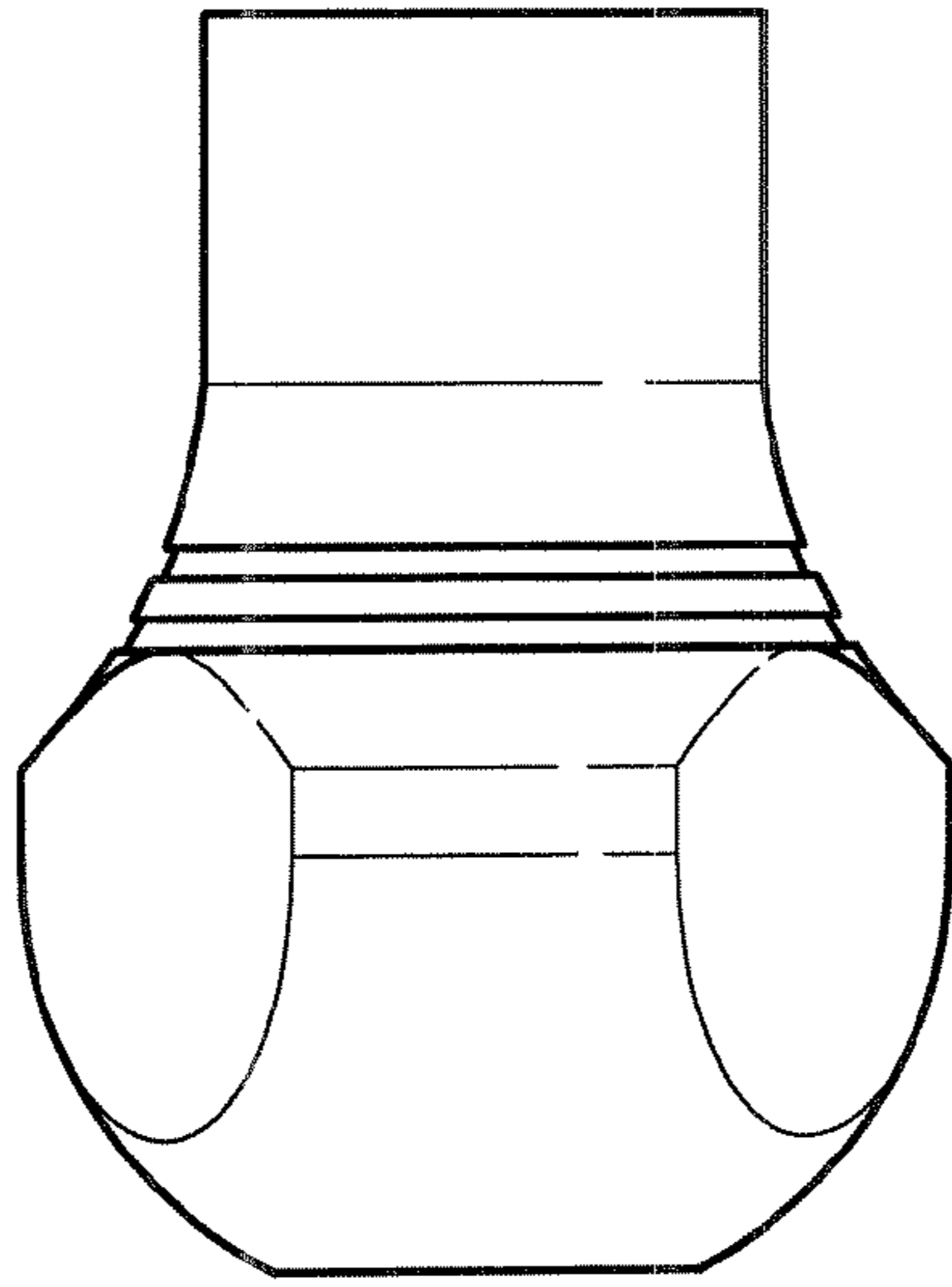


FIG. 2

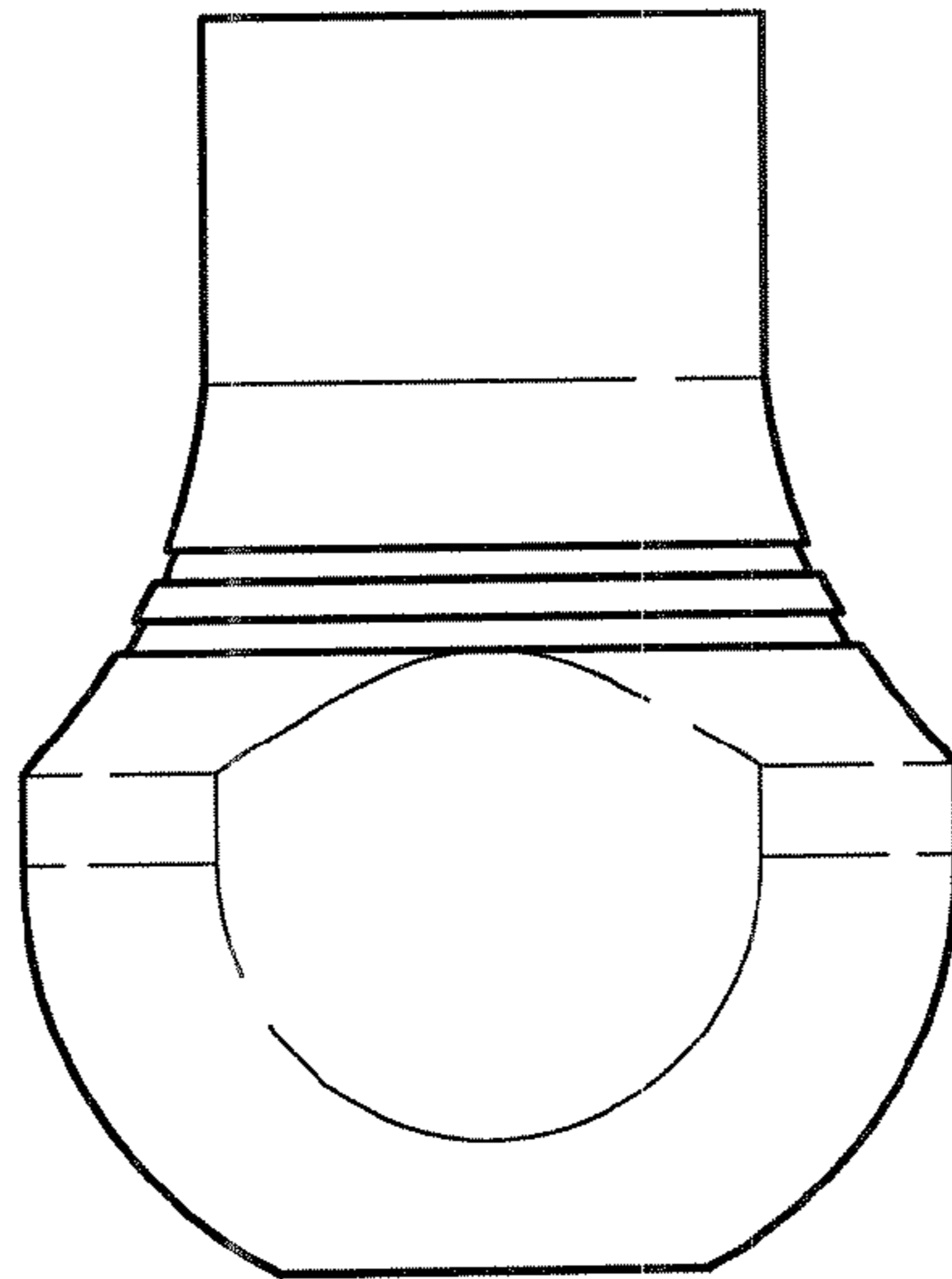


FIG. 3

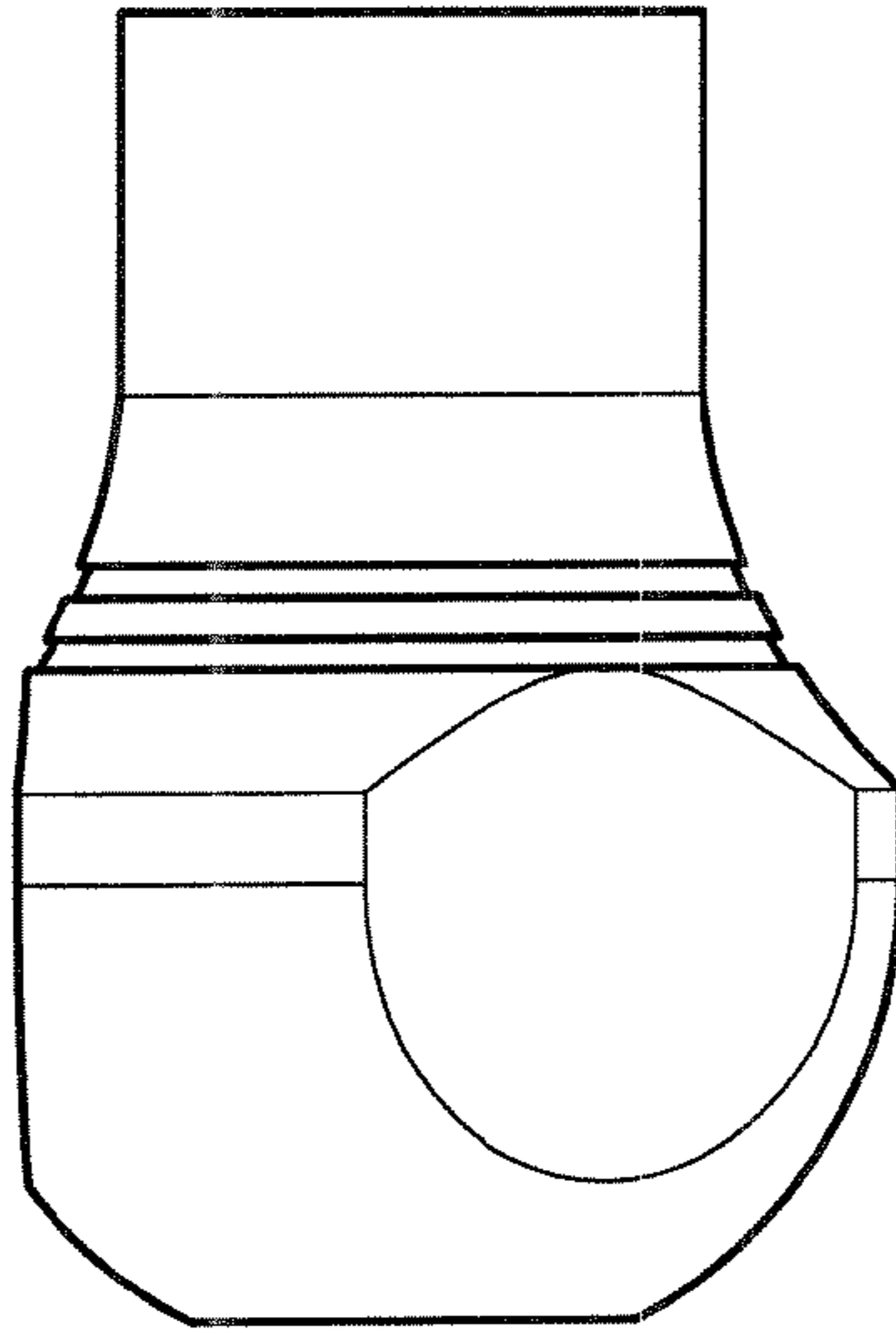


FIG. 4

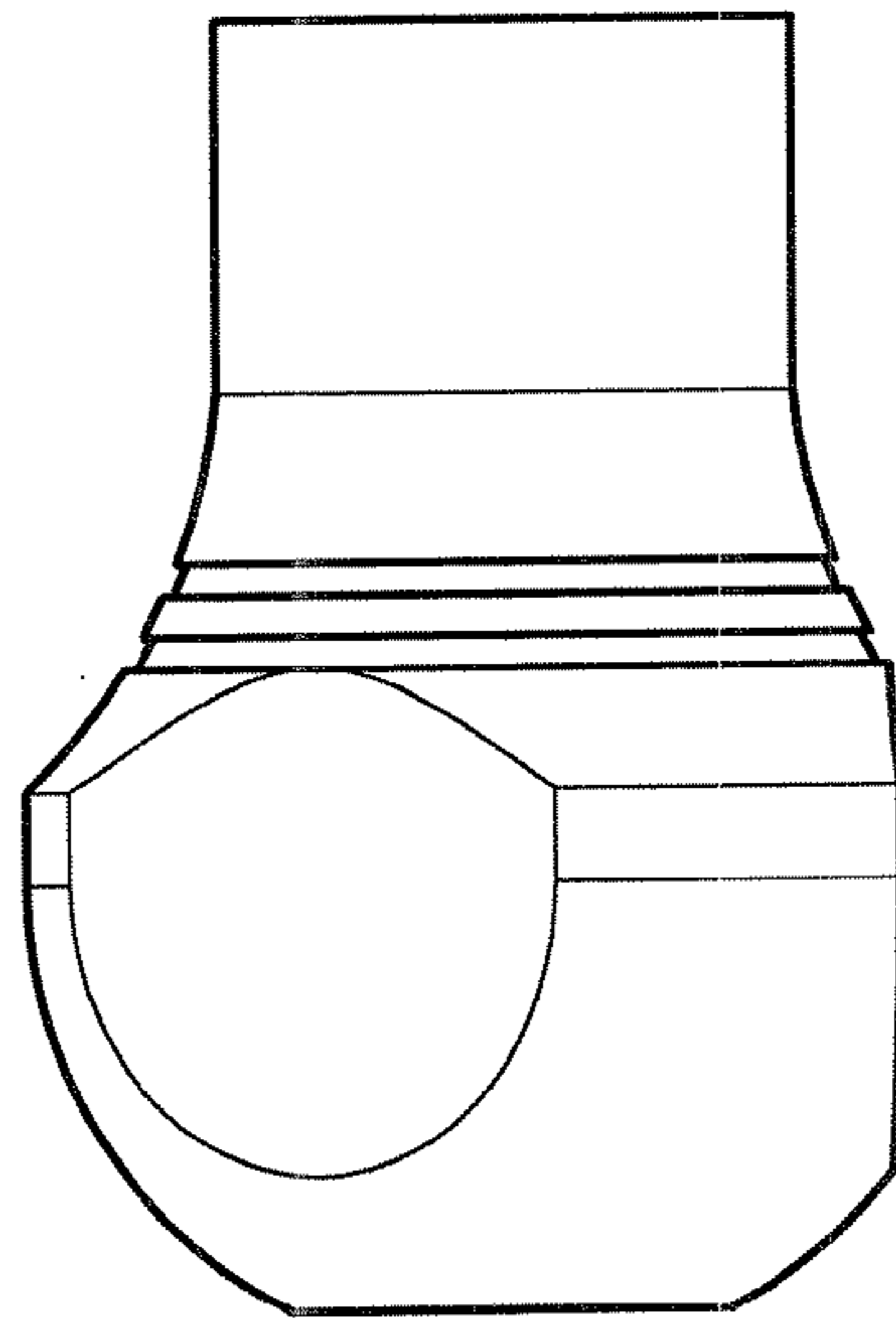


FIG. 5

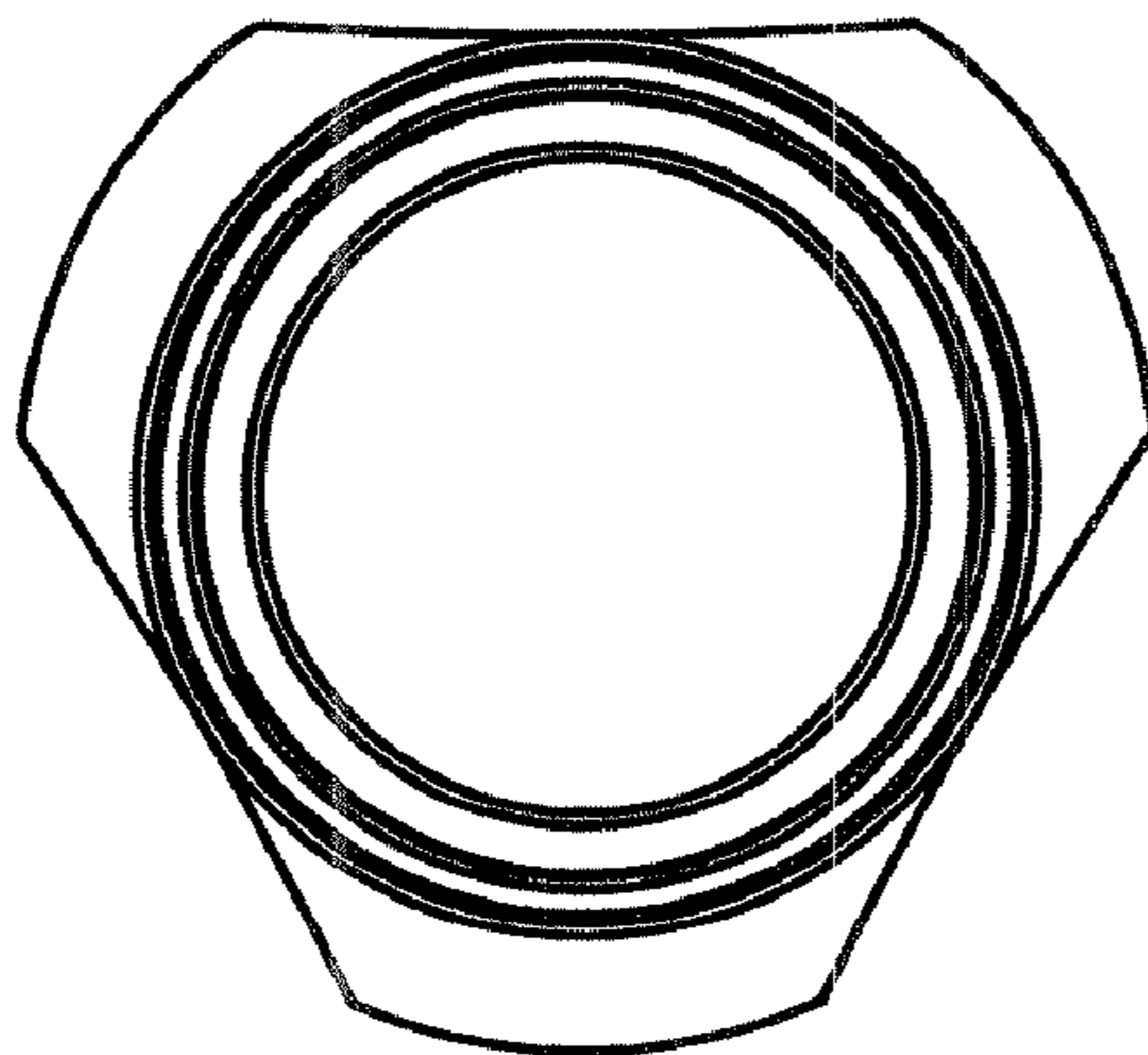


FIG. 6

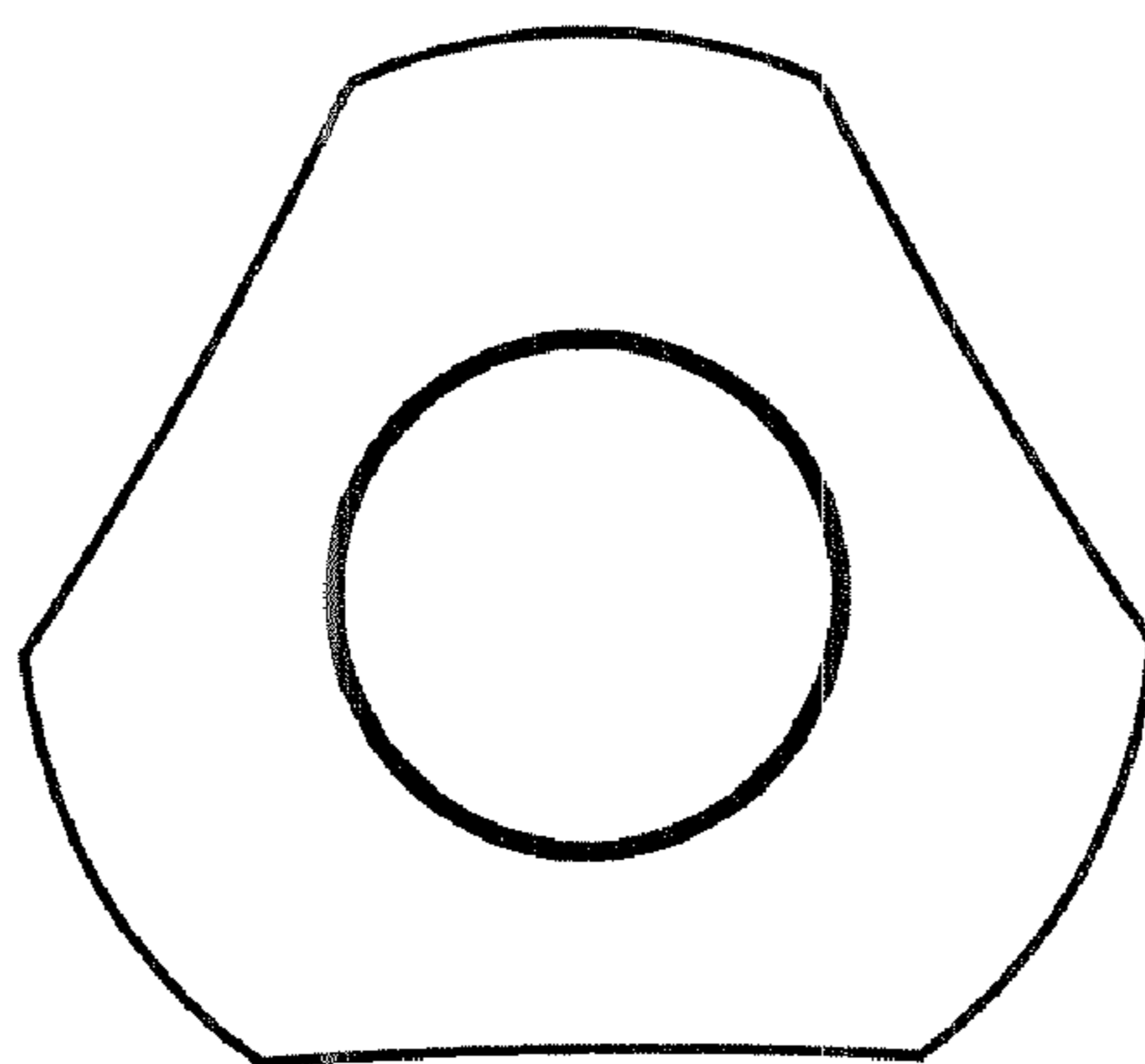


FIG. 7

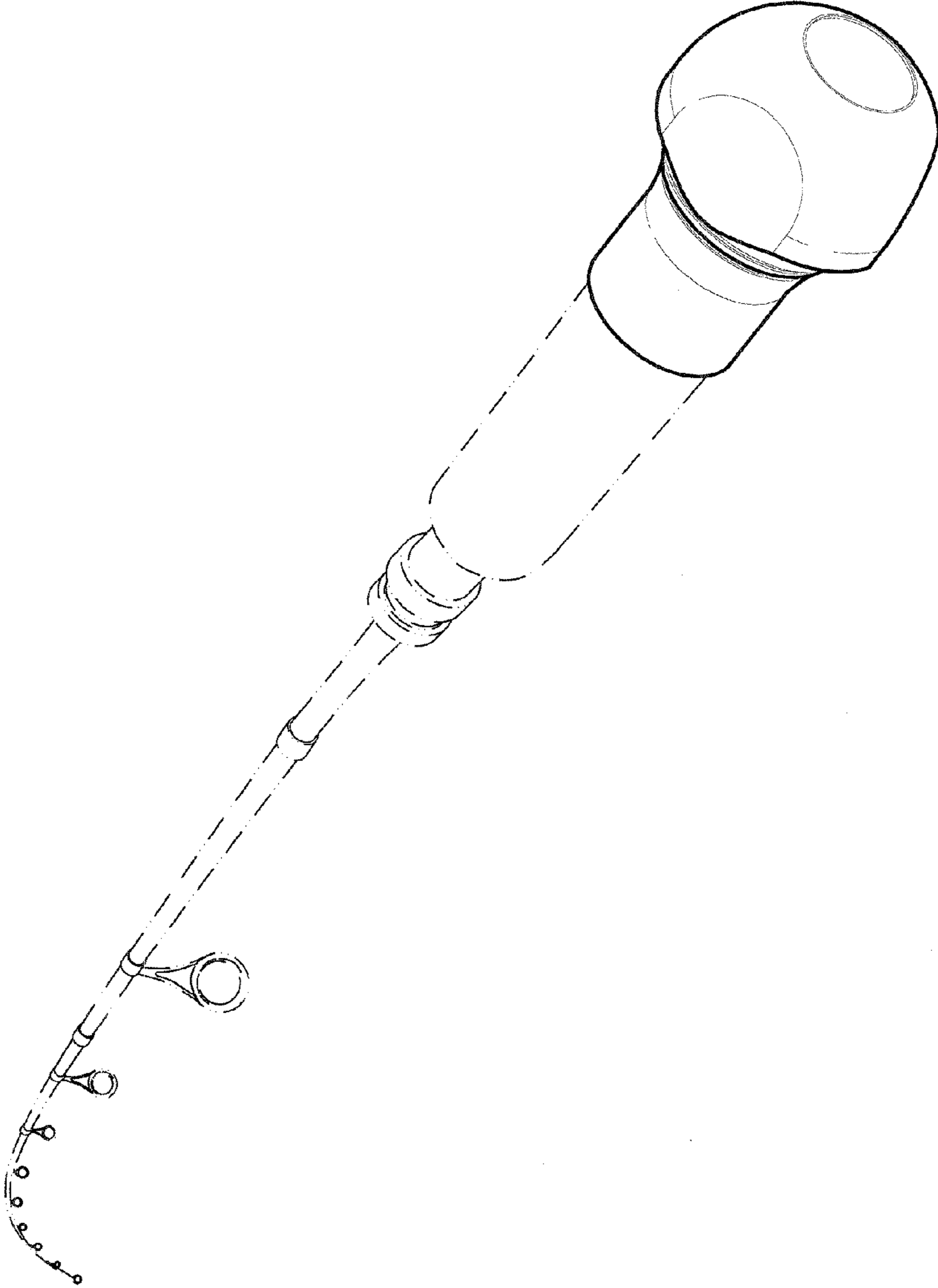


FIG. 8